



(86) Date de dépôt PCT/PCT Filing Date: 2011/09/20
 (87) Date publication PCT/PCT Publication Date: 2012/03/29
 (85) Entrée phase nationale/National Entry: 2013/03/20
 (86) N° demande PCT/PCT Application No.: PL 2011/050039
 (87) N° publication PCT/PCT Publication No.: 2012/039637
 (30) Priorité/Priority: 2010/09/20 (PL392457)

(51) Cl.Int./Int.Cl. *F23D 3/18* (2006.01)

(71) Demandeur/Applicant:
KORONA SA, PL

(72) Inventeurs/Inventors:
KULICKI, TOMASZ, PL;
WROBEL, ANDRZEJ, PL;
SOJA, ARTUR, PL;
BIEGANSKI, ROBERT, PL;
TOMANIK, KRZYSZTOF, PL

(74) Agent: NA

(54) Titre : FIXATION DE LA MECHE DE BOUGIE AU RECEPTACLE DE PLATEAU CHAUFFANT DE TABLE
 (54) Title: FIXING THE CANDLE WICK TO THE TABLE WARMING PLATE CONTAINER

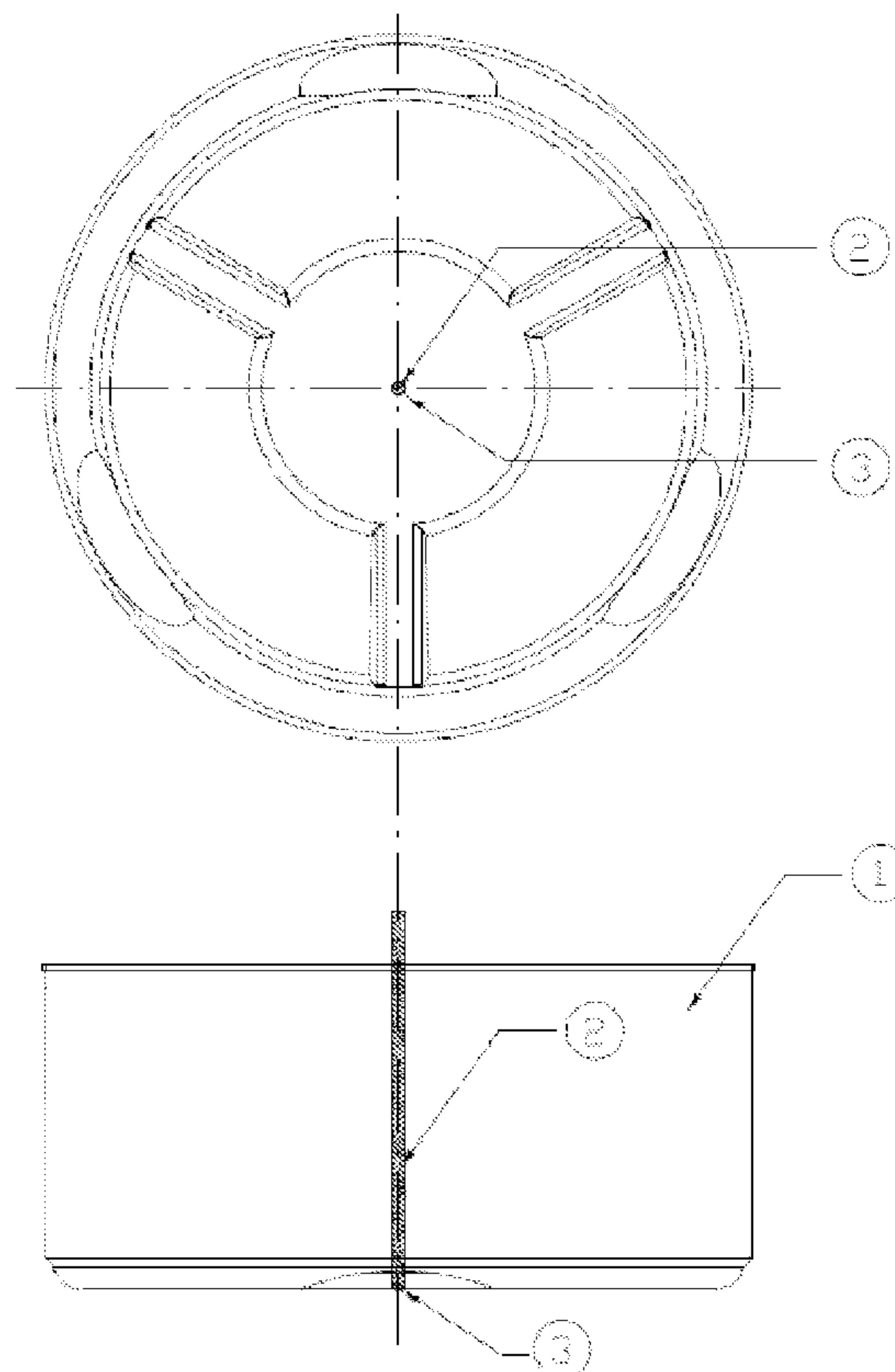


fig. 1

(57) Abrégé/Abstract:

The fixing of the candle wick to the table warming plate container involves the candle wick being glued to the bottom of the table warming plate container.



(12) INTERNATIONAL APPLICATION PUBLISHED UNDER THE PATENT COOPERATION TREATY (PCT)

(19) World Intellectual Property Organization
International Bureau(43) International Publication Date
29 March 2012 (29.03.2012)(10) International Publication Number
WO 2012/039637 A2(51) International Patent Classification:
F23D 3/18 (2006.01)(21) International Application Number:
PCT/PL2011/050039(22) International Filing Date:
20 September 2011 (20.09.2011)

(25) Filing Language: English

(26) Publication Language: English

(30) Priority Data:
392457 20 September 2010 (20.09.2010) PL(71) Applicant (for all designated States except US): **KORONA SA** [PL/PL]; Fabryczna 10, PL-98-300 Wieluń (PL).

(72) Inventors; and

(75) Inventors/Applicants (for US only): **KULICKI, Tomasz** [PL/PL]; Os. Stare Sady 73/93, PL-98-300 Wieluń (PL). **WRÓBEL, Andrzej** [PL/PL]; Jesionowa 15, PL-98-300 Wieluń (PL). **SOJA, Artur** [PL/PL]; Os. Stare Sady 9/14, PL-98-300 Wieluń (PL). **BIEGAŃSKI, Robert** [PL/PL]; Kadłub 44, PL-98-300 Wieluń (PL). **TOMANIK, Krzysztof** [PL/PL]; Grunwaldzka 17, PL-98-300 Wieluń (PL).(74) Agent: **RUMPEL, Alicja**; Al. Smiglego-Rydza, 29 lok 11, PL-93-281 Łódź (PL).

(81) Designated States (unless otherwise indicated, for every kind of national protection available): AE, AG, AL, AM, AO, AT, AU, AZ, BA, BB, BG, BH, BR, BW, BY, BZ, CA, CH, CL, CN, CO, CR, CU, CZ, DE, DK, DM, DO,

[Continued on next page]

(54) Title: FIXING THE CANDLE WICK TO THE TABLE WARMING PLATE CONTAINER

(57) Abstract: The fixing of the candle wick to the table warming plate container involves the candle wick being glued to the bottom of the table warming plate container.

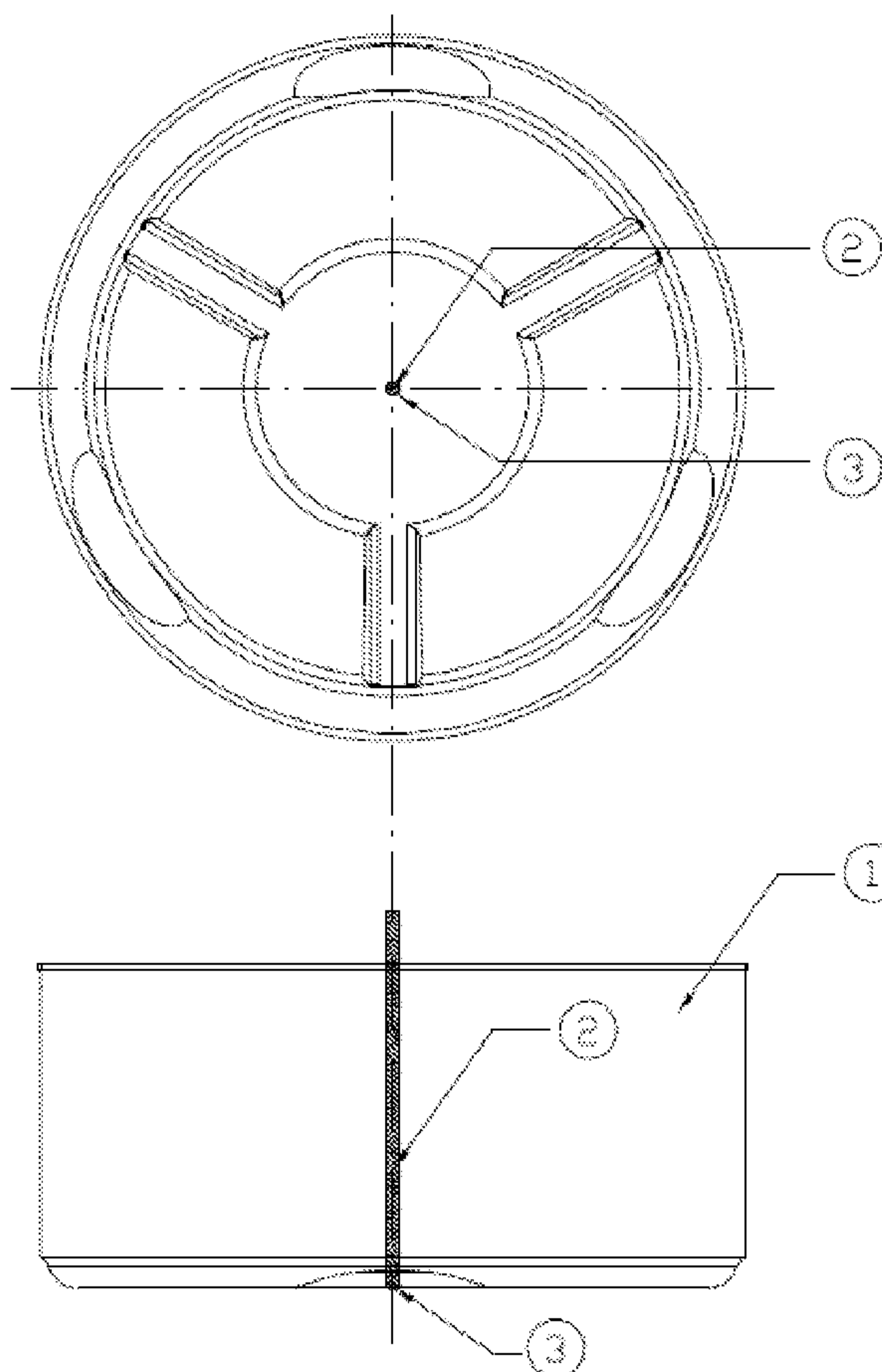


fig. 1



WO 2012/039637 A2

WO 2012/039637 A2 

DZ, EC, EE, EG, ES, FI, GB, GD, GE, GH, GM, GT, HN, HR, HU, ID, IL, IN, IS, JP, KE, KG, KM, KN, KP, KR, KZ, LA, LC, LK, LR, LS, LT, LU, LY, MA, MD, ME, MG, MK, MN, MW, MX, MY, MZ, NA, NG, NI, NO, NZ, OM, PE, PG, PH, PL, PT, QA, RO, RS, RU, RW, SC, SD, SE, SG, SK, SL, SM, ST, SV, SY, TH, TJ, TM, TN, TR, TT, TZ, UA, UG, US, UZ, VC, VN, ZA, ZM, ZW.

(84) Designated States (*unless otherwise indicated, for every kind of regional protection available*): ARIPO (BW, GH, GM, KE, LR, LS, MW, MZ, NA, SD, SL, SZ, TZ, UG,

ZM, ZW), Eurasian (AM, AZ, BY, KG, KZ, MD, RU, TJ, TM), European (AL, AT, BE, BG, CH, CY, CZ, DE, DK, EE, ES, FI, FR, GB, GR, HR, HU, IE, IS, IT, LT, LU, LV, MC, MK, MT, NL, NO, PL, PT, RO, RS, SE, SI, SK, SM, TR), OAPI (BF, BJ, CF, CG, CI, CM, GA, GN, GQ, GW, ML, MR, NE, SN, TD, TG).

Published:

— *without international search report and to be republished upon receipt of that report (Rule 48.2(g))*

- 1 -

Fixing the candle wick to the table warming plate container

The subject matter of the invention is the fixing of the candle wick to the table warming plate container.

There have been solutions regarding candle wick fixing to containers by means of the so-called float – a round or other tin plate centrally clamped on the end of the candle wick. So fixed candle wicks are initially hardened and the tin plate fixing the candle wick prevents it from inclining while burning. A disadvantage of the solution is the need to select appropriate force with which the tin plate is to be clamped on the candle wick as too tight clamping will result in breaking the candle wick fibres which will consequently result in greater residues of the burning mass and in the candle wick inclining while burning, which in turn results in the candle wick being immersed or in the undesired reduction of the flame height. In conclusion, the discussed solution regarding candle wick fixing to the bottom of the container by means of a tin plate features numerous disadvantages that hinder the manufacturing process as well as the course of candle burning.

Description of the German patent no. DE3918591 provides for a solution regarding the candle wick fixing to the candle container by means of projections in the bottom of the container that are clamped on the end of the candle wick.

Description of the American patent no. US19990314650 provides for the candle wick fixed to the bottom by means of a fixing plate which isolates the candle wick from the bottom of the container. In accordance with the invention, the fixing of the candle wick to the table warming plate container involves the candle wick being glued to the bottom of the table

warming plate container.

Research and numerous tests have shown that prior to gluing the candle wick to the bottom of the table warming plate container it is good to remove impregnation from the candle wick and to cut it perpendicularly to the fibres or to defiber the end to be glued in order to improve the candle wick capillary properties and, consequently, to improve the candle burning out level.

An advantage of the solution is the elimination of the float and, consequently, simplification of the candle manufacturing process by means of eliminating components preparing and fixing the float, and by simplifying the technology. The solution in accordance with the invention also positively affects the burning process as it facilitates access of the burning mass to the candle wick, facilitates complete burning out of the burning mass and significantly improves repeatability of achieving good results of burning processes.

An exemplary execution of the subject matter of the invention has been shown in the figure in a general view.

As shown in the exemplary execution, the fixing of the candle wick to the table warming plate container involves the candle wick 1 being glued 2 to the bottom of the table warming plate container 3.

- 4 -

Description summary

The fixing of the candle wick to the table warming plate container involves the candle wick being glued to the bottom of the table warming plate container.

Fig.

(1 patent claim)

- 3 -

Patent claim

1. The fixing of the candle wick to the table warming plate container characterised by the candle wick (1) being glued (2) to the bottom of the table warming plate container (3).

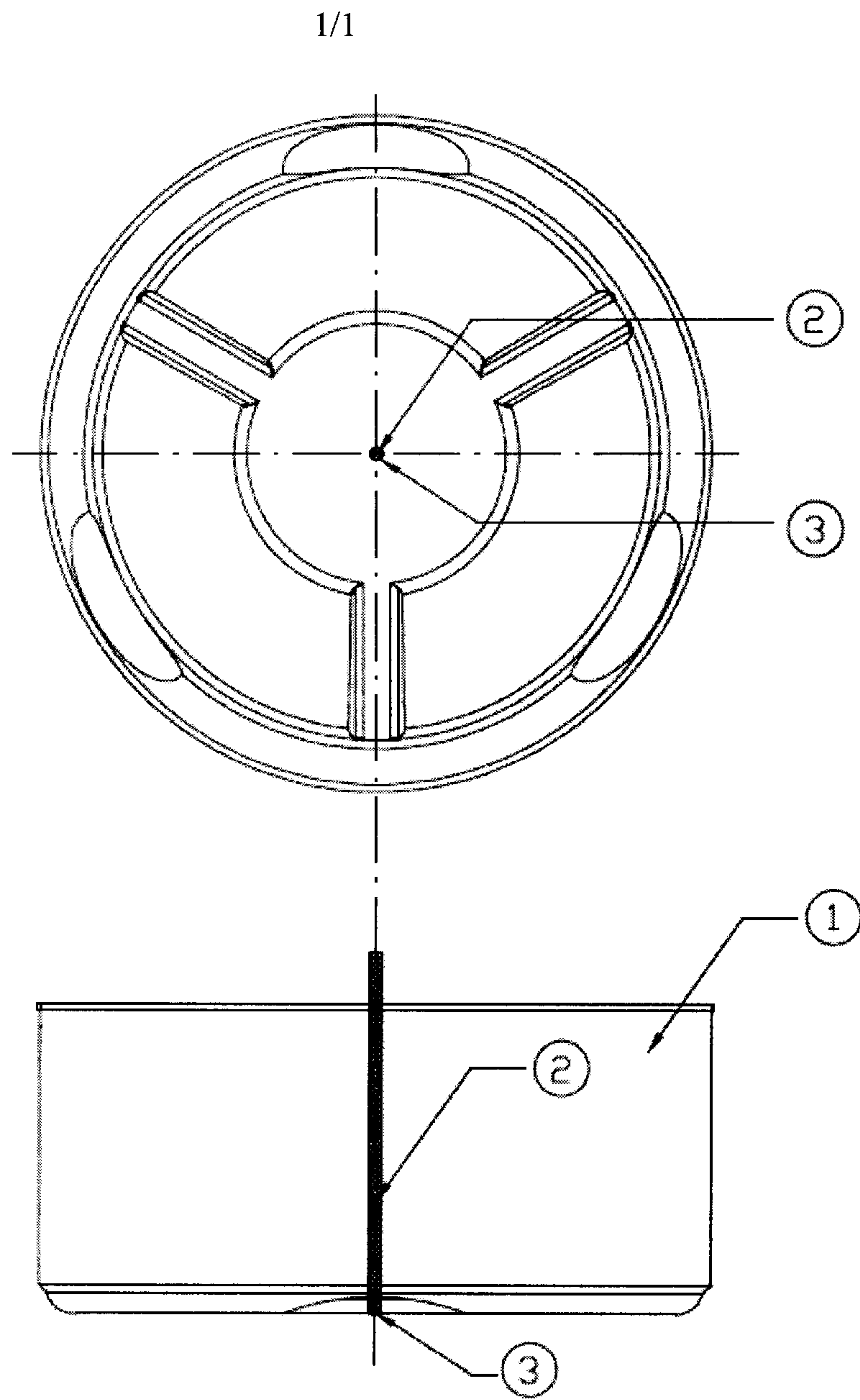


fig. 1

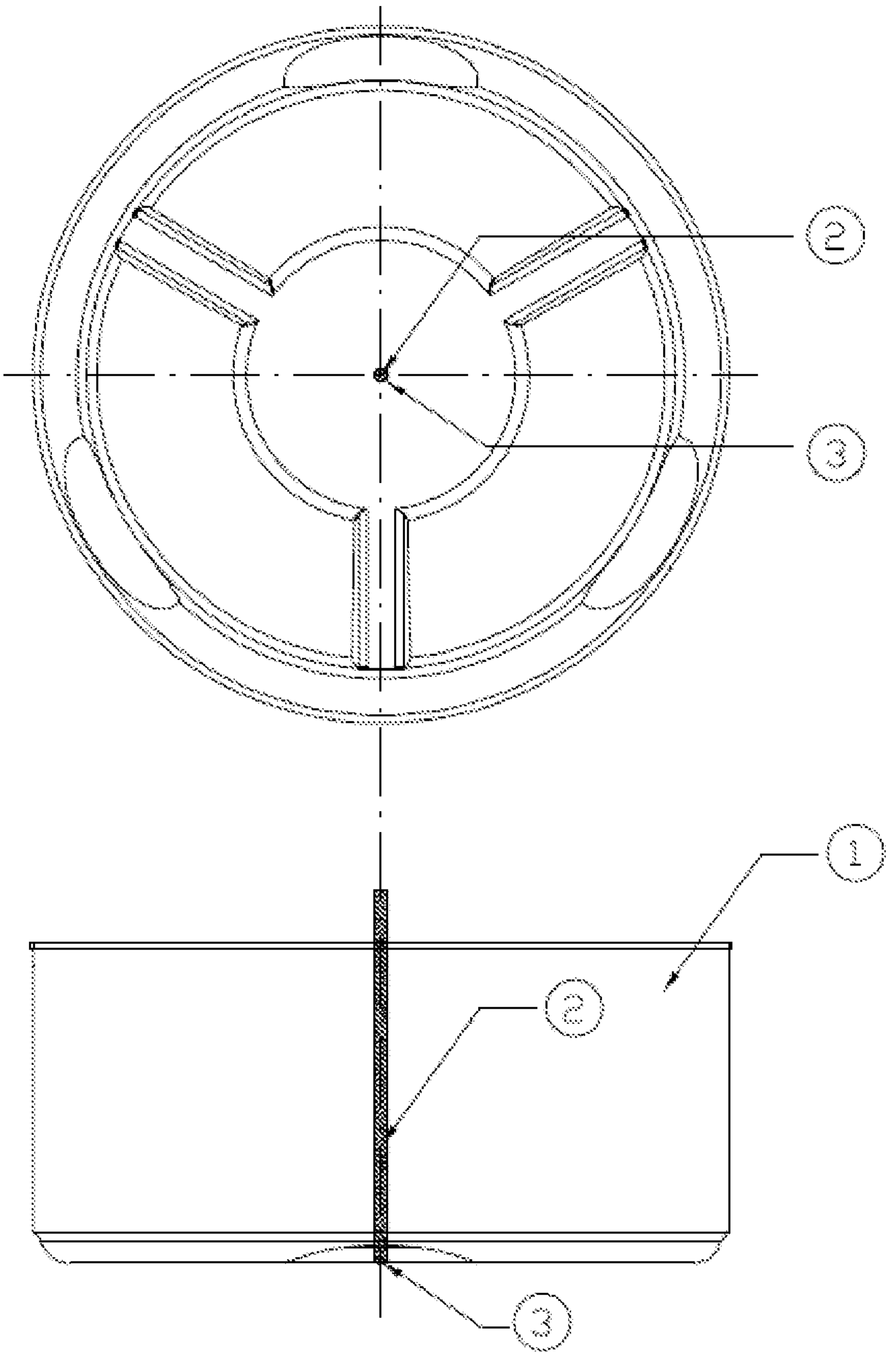


fig. 1