

(19) **DANMARK**

(10) **DK/EP 2684488 T3**



(12) **Oversættelse af  
europæisk patentskrift**

Patent- og  
Varemærkestyrelsen

- 
- (51) Int.Cl.: **A 47 B 9/04 (2006.01)** **F 16 H 25/20 (2006.01)** **F 16 B 21/06 (2006.01)**
- (45) Oversættelsen bekendtgjort den: **2020-06-15**
- (80) Dato for Den Europæiske Patentmyndigheds bekendtgørelse om meddelelse af patentet: **2020-04-29**
- (86) Europæisk ansøgning nr.: **13176149.6**
- (86) Europæisk indleveringsdag: **2013-07-11**
- (87) Den europæiske ansøgnings publiceringsdag: **2014-01-15**
- (30) Prioritet: **2012-07-13 DE 102012013979**
- (84) Designerede stater: **AL AT BE BG CH CY CZ DE DK EE ES FI FR GB GR HR HU IE IS IT LI LT LU LV MC MK MT NL NO PL PT RO RS SE SI SK SM TR**
- (73) Patenthaver: **Logicdata Electronic&Software Entwicklungs GmbH, Wirtschaftspark 18, 8530 Deutschlandsberg, Østrig**
- (72) Opfinder: **Koch, Walter, Trag 92, 8541 Schwanberg, Østrig**  
**Kollreider, Daniel, Grazbachgasse 87, 8010 Graz, Østrig**  
**Vukota, Branko, Idrottsgatan 12, 521 44 Falköping, Sverige**  
**Gracner, Marko, Vinarje 54, 2000 Maribor, Slovenien**
- (74) Fuldmægtig i Danmark: **Zacco Denmark A/S, Arne Jacobsens Allé 15, 2300 København S, Danmark**
- (54) Benævnelse: **Lineær aktuator og fremgangsmåde til fremstilling af en lineær aktuator**
- (56) Fremdragne publikationer:  
**EP-A1- 2 301 382**  
**EP-A1- 2 840 931**  
**DE-A1- 10 065 247**  
**DE-U1- 20 108 882**  
**DE-U1-202011 103 745**



# DESCRIPTION

**[0001]** The invention relates to a linear actuator, designed for height adjustment of a table for example, and to a method for producing such a linear actuator.

**[0002]** Linear actuators are usually used for displacing two movable parts relative to one another. For example, linear actuators are used in height-adjustable tables for raising or lowering a table top on a frame of a table. In various designs, a linear actuator has a telescoping housing and a spindle-based linear drive, by means of which a force action in the longitudinal direction is achieved.

**[0003]** An example implementation of such a linear actuator with a telescoping housing is shown in patent application publication EP 2 301 382 A1.

**[0004]** Document DE 20 2011 103 745 U1 shows a linear drive with a two-part spindle-nut that is mounted around a hollow spindle and fixed against rotation in a part of a telescoping housing by means of a snap lock.

**[0005]** One problem to be solved is to specify an improved concept for a linear actuator, which allows a simplified assembly of the linear actuator.

**[0006]** This problem is solved with the subject matter of the independent claims. Configurations and refinements of the invention are the subject matter of the dependent claims.

**[0007]** The proposed concept is based on the idea of producing a connection between the linear drive and at least one telescope part of a telescopic housing by means of a snap connection. For this purpose, a special adapter part, through which the spindle-based linear drive projects, is provided in a telescope part. A connecting element with snap elements that can produce a fixed connection with the adapter part is additionally provided on the linear drive. This has the effect that no tools are needed for installation of the linear drive, in particular for introduction of the linear drive into the telescopic housing. This is particularly advantageous because access with tools is difficult in the tight spatial arrangement of a telescopic housing. Moreover, the snap connection makes it unnecessary to see the parts to be connected, which reduces the production expense in terms of both material and personnel.

**[0008]** In one embodiment, a linear actuator comprises a spindle-based linear drive that has an inner threaded spindle and an outer element surrounding the threaded spindle. The threaded spindle can be moved axially or longitudinally in the outer element. The linear actuator further comprises a telescopic housing with at least one first telescope part and at least one second telescope part, which is surrounded at least in part by the first telescope part. On its side facing the first telescope part, the second telescope part has an adapter part that is connected rotationally fixedly to the second telescope part and has a central opening. The

linear drive has a connecting element that is fixed to the outer element and comprises snap elements engaged with the central opening of the adapter part in such a manner that the connecting element is held in the adapter part.

**[0009]** The snap elements are preferably designed so as to allow passage of the connecting element through the central opening of the adapter part in one direction and to prevent it in the opposite direction. It is accordingly easily possible to guide the connecting element with the snap elements through the central opening of the adapter part in one direction, in particular until the snap elements enter into an interlocking connection with the adapter part. A rearward movement, i.e. a detachment of the connecting element and thus the linear drive from the adapter part, is accordingly prevented.

**[0010]** According to the invention, the connection of the outer element to the second telescope part is designed in such a manner that the outer element is seated rotatably and stationarily in the adapter part. Stationary in this context is understood to mean that no longitudinal displacement in the axial direction of the linear drive is possible.

**[0011]** In one embodiment, the adapter part is arranged in the second telescope part, in particular in the interior of the second telescope part, via at least two pins introduced from the outside. Accordingly, a stationary and rotationally fixed connection of the adapter part to the second telescope part is achieved.

**[0012]** In different embodiments, the non-rotatability of the adapter part in the telescope part can be provided by the cross-sectional shape of the adapter part or the second telescope part, especially if this cross section is not a circular shape. The pins can be constructed with or without threads. In an embodiment without threads, the pins can be introduced particularly easily into corresponding holes or recesses of the adapter part. The connection can be unsecured or can use a connecting means such as an adhesive. Because the second telescope part is surrounded by the first telescope part in the assembled state of the telescopic housing, the securing of the pins in the second telescope part or the adapter part can also be achieved by the surrounding first telescope part.

**[0013]** For example, the pins on the outer side of the second telescope part have a head that is in contact with the inner side of the first telescope part. The head can be formed from plastic, for example, can have a plastic component or can be covered by plastic. The plastic part enables simplified sliding between the first and second telescope parts. In conventional telescope parts, sliding elements that space the telescope parts away from one another and allow a pushing motion with low friction are inserted between the telescope parts, for example. The pins, in particular with a head made of plastic, can thus simultaneously replace the conventional sliding elements.

**[0014]** In one embodiment, the connecting element is formed from an elastically deformable plastic. For example, the connecting element may be constructed integrally, so that the snap elements can be guided through the central opening by the deformation of the connecting

element. The snap elements may be resiliently mounted on the connecting element, for example. The resilient mounting can also be achieved with a multi-part connecting element by providing additional resilient parts, however.

**[0015]** In different embodiments, the first telescope part has, on the side facing away from the second telescope part, a base plate in which the threaded spindle is mounted rotationally fixedly and stationarily. Accordingly, only the outer element inside the telescope housing rotates during movement of the linear drive, while the threaded spindle remains fixed.

**[0016]** The proposed concept has so far been described for a two-part telescope extension with a two-part telescope housing and a two-part linear drive. The described concept can also be applied to multi-part linear actuators, however.

**[0017]** For example, the telescope housing has a third telescope part which is at least partially surrounded within the second telescope part. The linear drive is designed in at least three parts and has a fixed drive unit housing that is connected rotationally fixedly and stationarily to the third telescope part. The second telescope part, to which the outer element of the linear drive is connected, thus represents the center telescope part in a three-part telescope extension.

**[0018]** For example, the linear drive may comprise the drive unit housing with a drive unit therein as well as an internally hollow drive shaft driven by the drive unit. A profile tube, which constitutes the external element, is mounted rotationally fixedly and displaceable longitudinally on the drive shaft. The linear drive further comprises a threaded hollow spindle with an outside thread that is arranged between the drive shaft and the profile tube and is fixedly connected to the drive unit housing. A hollow spindle nut is fixedly connected to the profile tube at a first end of the profile tube and cooperates with the outside thread of the threaded hollow spindle. A spindle nut is fixedly connected to the profile tube at a second end of the profile tube. The threaded hollow spindle is arranged in the interior of the drive shaft and cooperates with a thread of the spindle nut.

**[0019]** The outside thread of the threaded hollow spindle and the thread of the threaded spindle preferably have different directions. For example, the hollow spindle nut may be arranged at the end of the profile tube facing the drive unit housing, while the spindle nut is arranged at the end of the profile tube facing away from the drive unit housing.

**[0020]** In case of a rotation of the drive shaft, the profile tube, which extends on the outside around the other elements, turns, due to its rotationally fixed seating, along with the drive shaft. By means of its rotation on the threaded hollow spindle, the hollow spindle nut, which is in turn connected to the profile tube, brings about a longitudinal movement of the profile tube on the drive shaft. This is enabled by the longitudinally movable seating of the profile tube or the external element on the drive shaft. The same linear movement of the linear drive is achieved by a longitudinal displacement between profile tube and drive shaft.

**[0021]** For example, the spindle nut and the connecting element may be constructed as a common component. In particular, it is possible for the spindle nut to be constructed as a plastic component which, in addition to its function as a spindle nut, contains the snap elements that are arranged in the profile tube on the side facing the threaded spindle. This further simplifies the later assembly of the linear drive in the telescopic housing. The threaded spindle is fixedly connected to the telescope part with the relatively large radius.

**[0022]** In alternative embodiments, the threaded spindle can also be connected to the telescope part that is farthest inside or has the smallest radius. In this case, the connecting element is arranged on the side of the profile tube facing the threaded spindle. In particular, the connecting element in this case is designed such that the threaded hollow spindle can rotate unhindered inside the connecting element relative to the profile tube or the outer element.

**[0023]** In different embodiments, the second telescope part with the adapter part is formed in at least two parts. For example, the adapter part is introduced during assembly of the telescopic housing as a separate part in the second telescope and fixed in place there, for example with pins as described above. The spindle nut may be stamped together with the profile tube, for example.

**[0024]** In other embodiments, the second telescope part is integrally formed with the adapter part. Thereby the assembly expense can be further reduced.

**[0025]** One embodiment of a height-adjustable table comprises at least one linear actuator according to one of the described embodiments, preferably however, two or more such linear actuators.

**[0026]** The proposed concept brings the advantage that a finished linear drive can be installed simply and reliably in the likewise finally assembled telescopic housing. In particular, the telescopic housing can be completely assembled and adjusted independently of the linear drive using a suitable adapter part, for example. Adjustment in this case relates to the provision of the above-described sliding elements, for example. Installing the linear drive does not require any additional tools; instead, the linear drive is simply introduced into the telescopic housing and pressed into the adapter part and axially secured. The telescopic housing accordingly need not be disassembled during the installation of the linear drive, in contrast to conventional solutions.

**[0027]** In one embodiment of a method for producing a linear actuator, a telescopic housing is provided with a first telescope part and a second telescope part that is at least partially surrounded by the first telescope part. A spindle-based linear drive that has an internal threaded spindle and an outer element surrounding the threaded spindle in which the threaded spindle can be moved in the axial direction is provided as a spindle-based linear drive. An adapter part that has a central opening is mounted in the second telescope part on the side facing the first telescope part in such a manner that the adapter part is rotationally fixedly

connected to the second telescope part. A connecting element comprising snap elements is additionally mounted on the outer element of the linear drive. The linear drive with the mounted connecting element is introduced into the second telescope part from the side facing away from the first telescope part, the connecting element being guided through the central opening of the adapter part in such a manner that the snap elements are engaged with the central opening of the adapter part and the connecting element is held in the adapter part.

**[0028]** For example, the adapter part is connected to the second telescope part via at least two pins introduced from outside.

**[0029]** The method can further comprise providing the first telescope part with a base plate mounted on the side facing away from the second telescope part. The threaded spindle is connected rotationally fixedly and stationarily to the base plate.

**[0030]** Further configurations of the method follow directly from the previously described embodiments of the linear actuator.

**[0031]** The embodiments of the method are also characterized in that an assembly of the linear actuator, in particular the joining of the linear actuator with the telescopic housing, can be done without tools.

**[0032]** The invention will be described in detail below for several embodiment examples with reference to figures. Identical reference numbers designate elements or components with identical functions. Insofar as elements or components correspond to one another in function, a description thereof will not be repeated in each of the following figures.

**[0033]** Therein:

Figure 1 shows one embodiment of a linear actuator,

Figure 2 shows another embodiment of the linear actuator,

Figure 3 shows a detailed view of one embodiment of a linear actuator,

Figure 4 shows an embodiment of an adapter part,

Figure 5 shows an embodiment of a linear drive,

Figure 6 shows an additional detail view of an embodiment of the linear actuator,

Figure 7 shows an additional detail view of an embodiment of the linear actuator,

Figure 8 shows an additional detail view of an embodiment of the linear actuator, and

Figure 9 shows an additional detail view of an embodiment of the linear actuator.

**[0034]** Figure 1 shows one embodiment of a linear actuator with a spindle-based linear drive 1 arranged in a telescopic housing 20. The telescopic housing 20 in this embodiment has three telescope parts 21, 22, 23 that can be moved one inside another. Sliding elements 40, 41, which enable a displacement of the telescopic parts 21, 22, 23 relative to one another with low friction, are respectively provided between the telescope parts 21, 22 and 22, 23.

**[0035]** The linear drive 1 comprises a profile tube 2, a threaded hollow spindle 3 and a threaded spindle 5 which is designed to be longitudinally movable inside the profile tube 2 and the threaded hollow spindle 3. The linear actuator 1 further comprises a drive unit housing 10 with a drive unit arranged therein that drives the threaded hollow spindle level 3.

**[0036]** At its lower end, which is facing away from the second telescope part 22, the first telescope part 21 comprises a base plate 26 in which the threaded spindle 5 is connected rotationally fixedly and stationarily. For example, the drive unit housing is connected rotationally fixedly and stationarily at the upper end to the third profile part 23.

**[0037]** The profile tube 2 is connected to the center, second telescope part 22 as follows. An adapter part 24, which is mounted stationarily and rotationally fixedly on the lower side facing the first profile part 21, is provided in the interior of the telescope part 22. The mounting is done by means of pegs or pins, for example, which project from the outer side of the telescope part 22 through the wall and engage with the adapter part 24. The pegs or pins have a head 41 for example, which simultaneously functions as a sliding element as described above. A connecting element 30, which has snap elements 31 that are retained in projections 25 of the adapter part 24, is mounted rotationally fixedly and stationarily on the profile tube 2. The profile tube 2 is thus mounted stationarily and rotationally fixedly in the second telescope part 22 or in the adapter part 24. Due to the shape of the snap elements 31, the linear drive 1 can be introduced from above in the drawing into the telescope housing and guided through the adapter part, the snap elements 31 being elastically deformed or compressed during the passage. Fixation in the illustrated manner takes place automatically as soon as the snap elements 31 are underneath the projections 25. Accordingly no tools are necessary for the assembly of linear drive 1 in the telescopic housing 20, at least in the area of the center telescope part 22. A secure and reliable connection between the linear drive 1 and the telescopic housing 20 is nevertheless guaranteed.

**[0038]** Figure 2 shows an alternative embodiment of a linear actuator in which a spindle-based linear drive 1 and a telescopic housing 20 are likewise provided. Differing from the embodiment in Figure 1, the orientation of the telescope parts 21, 22, 23 is reversed in Figure 2, so that the telescope part 21 with the largest diameter is arranged at the top relative to the drawing and the telescope part with the smallest diameter 23 is arranged at the bottom. The linear drive 1 corresponds substantially to the embodiment described in Figure 1.

**[0039]** On the side facing the first telescope part 21, the second telescope part 22 again has an adapter part 24, which has a central opening through which projects a connecting element 30 with snap elements 31. In this embodiment, the connecting element 30 has an additional

extension element 32 that surrounds the threaded hollow spindle 3 so that the axial movement of the threaded spindle is not hindered.

**[0040]** The adapter part 24 is again mounted via pins or bolts through the outer wall of the second telescope part 22, for example, heads 41 of the bolts or pins functioning as sliding elements between the telescope parts 21, 22.

**[0041]** The reader is referred to the description of Figure 1 with respect to the additional elements in the embodiment of Figure 2.

**[0042]** In the installation of the linear actuator, the linear drive 1 is again pushed through the lower telescope part 23 and the center telescope part 22 into the upper telescope part 21, and guided through the central opening of the adapter part 24, the snap elements 31 being compressed during the passage. After the passage, the snap elements 31 engage with the adapter part 24, so that a stationary connection between profile tube 2 and telescope part 22 is guaranteed. In this embodiment as well, assembly without using tools is possible, particularly in the area of the second telescope part 22.

**[0043]** Figure 3 shows an example configuration of a detail of the linear actuator in the area of the connection between the profile tube 2 and the center telescope part 22. It can be clearly recognized here that the adapter part 24 is mounted laterally by means of pins 42 in the outer wall of the telescope part 22. The pins 42 engage in corresponding holes or recesses of the adapter part 24 and thus ensure a rotationally fixed and stationary connection. The pins 42 have the previously described heads 41, which can act as sliding elements. The heads are produced of plastic, for example, or have a plastic component or are covered with plastic in order to improve the sliding properties. It is likewise possible for the entire pin 42 along with the head 41 to be produced from plastic, for example polyoxymethylene, also known as POM.

**[0044]** The adapter part 24 has projections 25 that allow the snap elements 31 to engage. Accordingly, a movement of the profile tube 2 with the connecting element 30 is only possible from top to bottom in the representation of the drawing, whereas a movement from the bottom to the top is prevented.

**[0045]** Figure 4 shows an embodiment example of an adapter part 24, with a central circular opening, for a polygonal telescope part. In addition, a hole or a recess in which one of the pins 42 can engage is shown on the outer side of the adapter part 24. A projection 25 that enables interlocking with the snap elements 31 of the connecting element 30 is provided in the center of the central opening. Because the projection 25 is provided centrally, the installation direction of the adapter part 24 can also be interchanged, differing from the previously illustrated embodiments. It may also be pointed out that the design of the adapter part 24 can be matched as desired to the geometries of the telescope housing or the linear drive 1. In particular, the dimensions of the central opening in the interior of the adapter part 24 are matched for a given type of linear drive to a corresponding connecting element 30, for example, while the outer dimensions at the periphery of the adapter part 24 can be adapted to

the geometry of the telescope housing or of the telescope part 22. Thereby the linear actuator overall can be designed flexibly.

**[0046]** In principle, the linear drive 1 can be designed in any manner desired. However, a specific example of such a linear drive 1 will be described below.

**[0047]** Figure 5 shows an embodiment of a linear drive 1 in which a motor 8 and a gear unit 7 are arranged in a two-part drive unit housing 10, together forming a drive unit for a spindle system. Among other things, the spindle system comprises a drive shaft 11, which is driven by the motor 8 or the gear unit 7. The drive shaft 11 is internally hollow and extends longitudinally inside the profile tube 2 to which the drive shaft 11 is attached on its outer side rotationally fixedly and displaceable longitudinally. The spindle system further comprises the threaded hollow spindle 3 with an outside thread, which is arranged between the drive shaft 11 and the profile tube 2 and is fixedly connected to the drive unit housing 10. A hollow spindle nut 4 is fixedly connected to the profile tube 2 at the upper end thereof and cooperates with the outside thread of the threaded hollow spindle 3. A spindle nut 6 is fixedly connected to the profile tube 2 at the lower end of the profile tube 2. The threaded spindle 5, which cooperates with a thread of the spindle nut 6, is arranged in the interior of the drive shaft 11. The outside thread of the threaded hollow spindle 3 and the thread of the threaded spindle 5 have opposite directions.

**[0048]** The drive unit housing 10 in the present embodiment comprises a motor housing and a gear unit housing. Alternatively, the motor 8 and the gear unit 7 can be arranged in a common drive unit housing 10.

**[0049]** When the linear drive is operated, the drive shaft 11 is driven by the drive unit 7, 8. Due to the rotationally fixed connection of the drive shaft 11 to the profile tube 2, the latter rotates as well. Accordingly, the hollow spindle nut 4 rotates on the threaded hollow spindle 3 and converts the rotational movement of the profile tube 2 into a longitudinal movement. This longitudinal movement is possible due to the longitudinally displaceable mounting of the profile tube 2 on the drive shaft 11.

**[0050]** The spindle nut 6 also rotates along with the profile tube 2, so that the thread of the spindle nut 6 cooperates with the thread of the threaded spindle 5. This again results in a longitudinal movement of the threaded spindle 5 relative to the profile tube 2.

**[0051]** Thus an appropriate rotation of the drive shaft 11 results overall in a uniform, telescope-like relative movement between the drive shaft 11 or the threaded hollow spindle 3, the profile tube 2 and the threaded spindle 5, wherein the profile tube 2, as the largest-diameter element, is arranged centrally in the telescope-like arrangement.

**[0052]** At its lower end, the spindle nut 6 bears the connecting element 30 with the snap elements 31, which can create the connection to the adapter part in the second telescope part 22. The spindle nut 6 is preferably constructed integrally with the connecting element 30, preferably using a plastic such as POM.

**[0053]** A detailed view of the profile tube 2 with the spindle nut 6 and an adapter part 24 is shown as an exploded view in Figure 6. The spindle nut 6 in this case has an area that is received in the interior of the profile tube 2 and pressed together with it to achieve a rotationally fixed connection. On its outer side, the spindle nut 6 has the connecting element 30 with the snap elements 31, which run all around in this embodiment. The snap elements 31 can then come into engagement with the projection 25 of the adapter part 24.

**[0054]** It can be recognized from Figure 6, and even more clearly from Figure 7, that the spindle nut 6 has an inside thread that can receive the threaded spindle 5. In this regard, Figure 7 shows an exploded view of a detail with threaded spindle 5, spindle nut 6 and adapter part 24. On its end, the threaded spindle 5 has a hexagonal profile 28. In other embodiments, a different, polygonal or notched shape can be provided at the end of the threaded spindle 5, for example milled onto the end of the threaded spindle 5.

**[0055]** Figure 8 shows the elements from Figure 7 in the assembled state. It is recognizable in particular that the snap elements 31 here are engaged with the projection 25 of the adapter part 24.

**[0056]** Figure 9 shows another detailed view of an embodiment of the linear actuator, in which the connection of the threaded spindle 5 to the base part 26 of the first telescope part 21 can be seen in particular. In the installation of the linear drive 1 in the telescope housing 20, the linear drive 1 is introduced as described above into the telescopic housing. In particular, the hexagonal profile 28 at the end of the threaded spindle 5 is introduced into a corresponding polygonal opening in the base plate 26, so that a rotationally fixed connection between the threaded spindle 5 and the base plate 26 is produced. In the embodiment shown, the threaded spindle 5 has an extended projection 27, which extends from the threaded spindle 5 through the base plate 26. For axial securing, i.e. securing in the longitudinal direction, a fixation washer 29 is provided on the projection 27 to prevent the threaded spindle 5 from being pulled out of the base plate 26. For example, a so-called starlock washer can be used as a connecting washer 29.

**[0057]** Differing from the illustrated hexagonal profile 28, the profile can also have a different polygonal shape and/or a toothed or notched shape, which is matched in particular to the shape of a cutout in the base plate 26. This produces a form-fitting connection between the threaded spindle 5 and the base plate 26 or the telescope part 21.

**[0058]** For the connection shown in Figure 9, it is also possible to install the linear drive in the telescopic housing without tools. In particular, the lock washer 29 can be applied without tools to the projection 27 of the threaded spindle 5.

**[0059]** Instead of a form-fit connection between the threaded spindle 5 and the base plate 26, a force-fit connection can also be created. For this purpose, the end of the threaded spindle 5 can have a conical shape that engages with a corresponding conical-shaped recess or conical-

shaped hole in the base plate 26. The threaded spindle 5 is then secured to the base plate 26, via a screw for example, so that the conical profile is pulled tightly into the corresponding recess.

**[0060]** Not only can the use of tools be dispensed with in the above-described embodiments, it is also possible to omit cumbersome connecting means such as screws, gluing, rivets or the like. As previously described, even the fixation of the adapter part 24 in the telescope part 22 can be accomplished merely by inserting the securing pins from the outside. The securing pins are held and protected from falling out by the first telescope part, which encloses the second telescope part with the securing pins. If the linear drive must be exchanged or serviced, this is also possible with a comparatively minor effort in comparison to conventional solutions. Thus the connection to the base plate can be loosened with little effort and it is also possible to guide the snap elements through the adapter part by targeted compression in order to release the snap connection. Complete dismantling of the telescope housing can be dispensed with.

**[0061]** The telescopic housing 20 can be completely assembled and adjusted, particularly with respect to the sliding elements between the telescope parts, before insertion of the linear drive. In particular, a suitable adapter part is installed in the pre-assembly of telescope housing 20.

#### **List of reference numbers**

#### **[0062]**

- 1  
Linear drive
- 2  
Profile tube, outer element
- 3  
Threaded hollow spindle
- 4  
Hollow spindle nut
- 5  
Threaded spindle
- 6  
Spindle nut
- 7  
Gear unit
- 8  
Motor
- 10  
Drive unit housing
- 20  
Telescopic housing

21, 22, 23	Telescope part
24	Adapter part
25	Projection
26	Base plate
27	Projection
28	Profile
29	Lock washer
30	Connecting element
31	Snap element
32	Extension part
40	Sliding element
41	Head
42	Pin

## REFERENCES CITED IN THE DESCRIPTION

This list of references cited by the applicant is for the reader's convenience only. It does not form part of the European patent document. Even though great care has been taken in compiling the references, errors or omissions cannot be excluded and the EPO disclaims all liability in this regard.

### Patent documents cited in the description

- [EP2301382A1 \[0003\]](#)
- [DE202011103745U1 \[0004\]](#)

## Patentkrav

### 1. Lineær aktuator med

- 5 - en spindelbaseret lineær drivindretning (1), som har en indvendig spindel med gevind (5) og et udvendigt element (2), der omgiver spindlen med gevind (5), hvor spindlen med gevind (5) kan bevæges i aksialretningen; og
- et teleskopisk hus (20) med en første teleskopdel (21) og en anden teleskopdel (22), som er omgivet i det mindste delvis af den første teleskopdel (21);

### **kendetegnet ved, at**

- 10 - den anden teleskopdel (22) har en adapterdel (24) på den side, der vender mod den første teleskopdel (21), der er forbundet fast drejeligt med den anden teleskopdel (22) og har en central åbning;
- den lineære drivindretning (1) har et forbindelseselement (30), der er monteret på det udvendige element (2) og omfatter snap-elementer (31), der er i
- 15 indgreb med den centrale åbning af adapterdelen (24) på en sådan måde, at forbindelseselementet (30) holdes i adapterdelen (24); og
- det udvendige element (2) understøttes drejeligt i adapterdelen (24) via forbindelseselementet (30) uden langsgående forskydning i aksialretningen af den lineære drivindretning (1).

20

### 2. Lineær aktuator ifølge krav 1,

hvor snap-elementerne (31) er udformet til at gøre det muligt for forbindelseselementet (30) at føres gennem den centrale åbning af adapterdelen (24) i én retning og forhindre det i den modsatte retning.

25

### 3. Lineær aktuator ifølge krav 1 eller 2,

hvor adapterdelen (24) er anbragt i den anden teleskopdel (22) og er forbundet med den anden teleskopdel (22) via mindst to stifter (42), der indføres fra den udvendige side.

30

### 4. Lineær aktuator ifølge krav 3,

hvor stifterne (42) på den udvendige side af den anden teleskopdel (22) har et hoved (41), som er i kontakt med den indvendige side af den første teleskopdel

(21).

5 **5.** Lineær aktuator ifølge et af kravene 1-4,  
hvor forbindelseelementet (30) er fremstillet af et elastisk deformerbart plast-  
materiale.

10 **6.** Lineær aktuator ifølge et af kravene 1-5,  
hvor snap-elementerne (31) er eftergiveligt siddende på forbindelseelementet  
(30).

15 **7.** Lineær aktuator ifølge et af kravene 1-6,  
hvor den første teleskopdel (21) på den side, der vender væk fra den anden  
teleskopdel (22), har en basisplade (26), i hvilken spindlen med gevind (5) sid-  
der drejeligt fastgjort og stationært.

20 **8.** Lineær aktuator ifølge et af kravene 1-7,  
hvor  
- det teleskopiske hus (20) har en tredje teleskopdel (23), som er omgivet i det  
mindste delvis af den anden teleskopdel (22);  
- den lineære drivindretning (1) er konstrueret i mindst tre dele og har et stati-  
onært drivenhedshus (10); og  
- drivenhedshuset (10) er forbundet fast drejeligt og stationært med den tredje  
teleskopdel (23).

25 **9.** Lineær aktuator ifølge krav 8, hvor den lineære drivindretning (1) omfatter:  
- drivenhedshuset (10) med en drivenhed (7, 8) placeret deri;  
- en drivaksel (11), der drives af drivenheden (7, 8) og er hul indvendigt;  
- et profilrør, der danner det udvendige element (2), som er monteret fast dre-  
jeligt og forskydeligt i længderetningen på den udvendige side på drivakslen  
30 (11);  
- en hulspindel med gevind (3) med et udvendigt gevind, hvor spindlen er an-  
bragt mellem drivakslen (11) og profilrøret (2) og fast forbundet med driven-  
hedshuset (10);

- en hulspindelmøtrik (4), som er fast forbundet med profilrøret (2) ved en første ende af profilrøret (2) og samvirker med det udvendige gevind på hulspindlen med gevind (3);
  - en spindelmøtrik (6), som er fast forbundet med profilrøret (2) ved en anden
- 5
- ende af profilrøret (2); og
  - spindlen med gevind (5), som er anbragt indvendigt i drivakslen (11) og samvirker med et gevind på spindelmøtrikken (6).

10 **10.** Lineær aktuator ifølge krav 9, hvor spindelmøtrikken (6) og forbindelseselementet (30) er konstrueret som en fælles komponent.

15 **11.** Lineær aktuator ifølge et af kravene 1-10, hvor den anden teleskopdel (22) med adapterdelen (24) er konstrueret i mindst to dele.

**12.** Fremgangsmåde til fremstilling af en lineær aktuator, hvilken fremgangsmåde omfatter:

20 - tilvejebringelse af et teleskopisk hus (20) med en første teleskopdel (21) og en anden teleskopdel (22), som er omgivet i det mindste delvis af den første teleskopdel (21);

25 - tilvejebringelse af en spindelbaseret lineær drivindretning (1), som har en indvendig spindel med gevind (5) og et udvendigt element (2), der omgiver spindlen med gevind (5), hvor spindlen med gevind (5) kan bevæges i aksialretningen; og

**kendetegnet ved** endvidere at omfatte trinnene med:

30 - tilvejebringelse af en adapterdel (24), som har en central åbning i den anden teleskopdel (22) på den side, der vender mod den første teleskopdel (21) på en sådan måde, at adapterdelen (24) er forbundet fast drejeligt med den anden teleskopdel (22);

- tilvejebringelse af et forbindelseselement (30), som omfatter snap-elementer (31), på det udvendige element (2) af den lineære drivindretning (1);

- indføring af den lineære drivindretning (1) i den anden teleskopdel (22) fra den side, der vender væk fra den første teleskopdel (21); og

5 - føring af forbindelseselementet (30) gennem den centrale åbning på en sådan måde, at snap-elementerne (31) er i indgreb med den centrale åbning af adapterdelen (24), og forbindelseselementet (30) holdes i adapterdelen (24), således at det udvendige element (2) understøttes drejeligt i adapterdelen (24) via forbindelseselementet (30) uden langsgående forskydning i aksialretningen af den lineære drivindretning (1).

10 **13.** Fremgangsmåde ifølge krav 12, hvor adapterdelen (24) er forbundet med den anden teleskopdel (22) via mindst to stifter (42), der indføres fra den udvendige side.

DRAWINGS

Fig 1

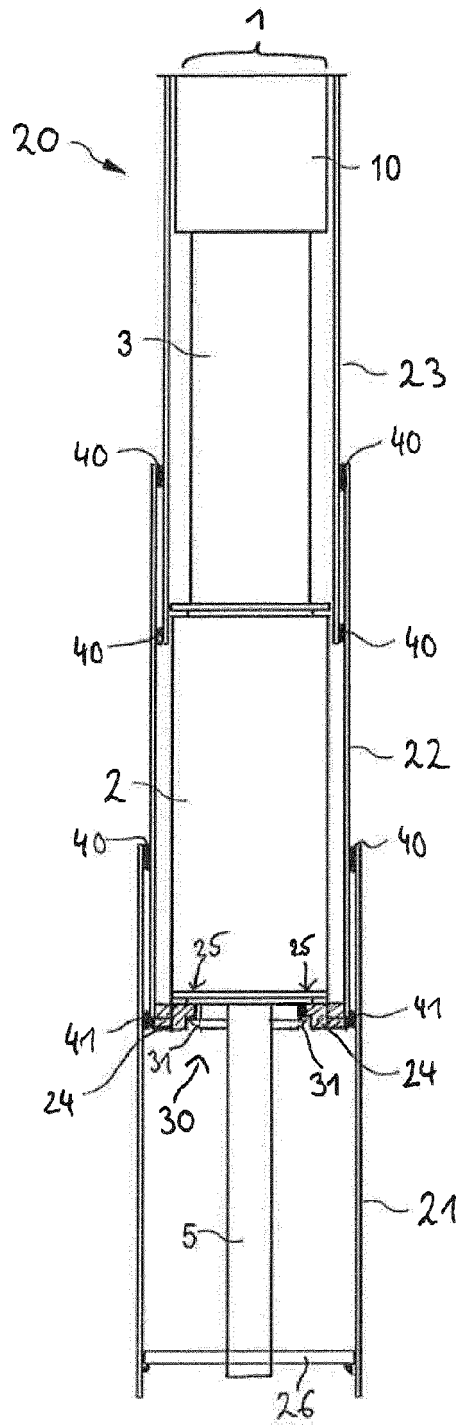


Fig 2

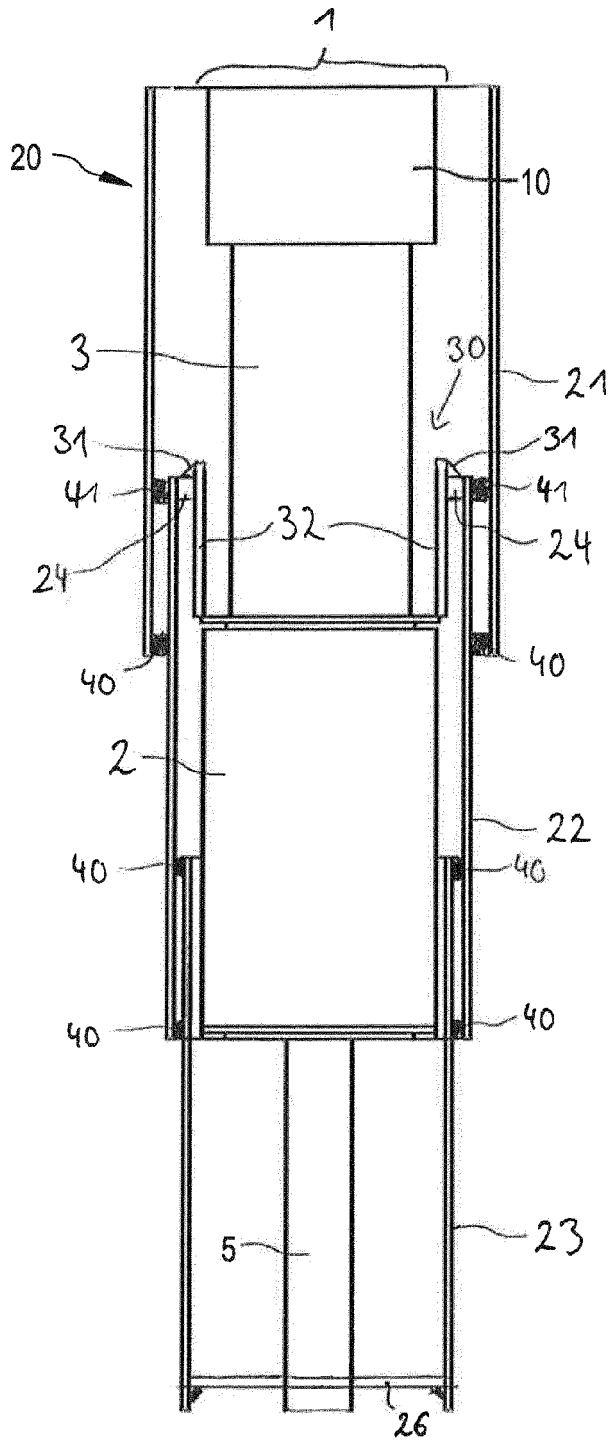


Fig 3

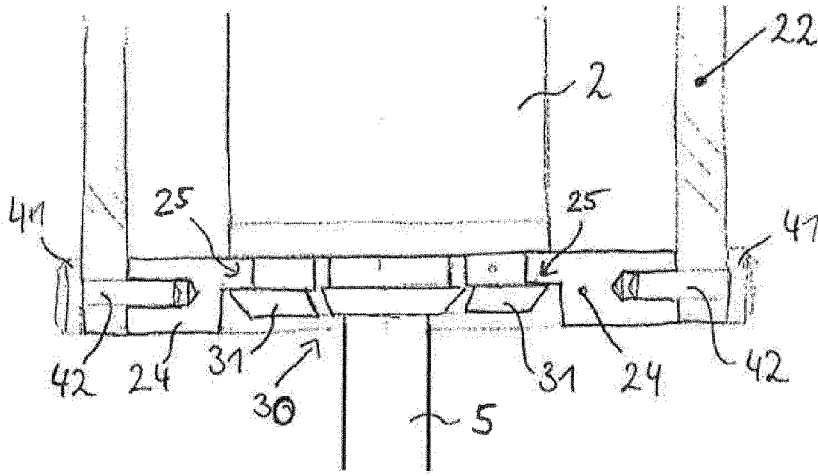


Fig 4

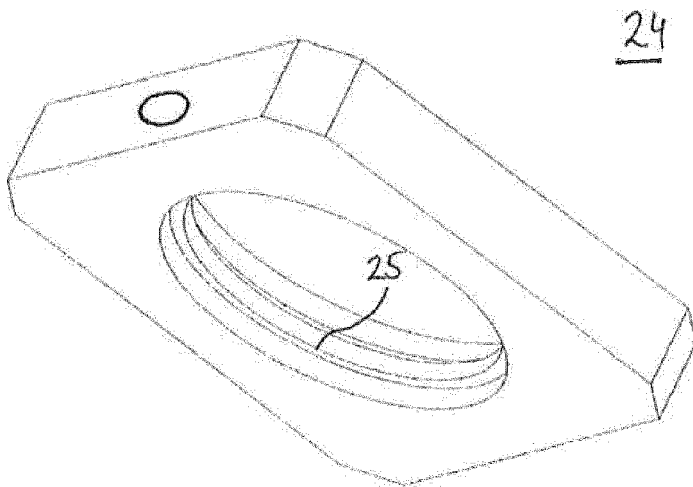


Fig 5

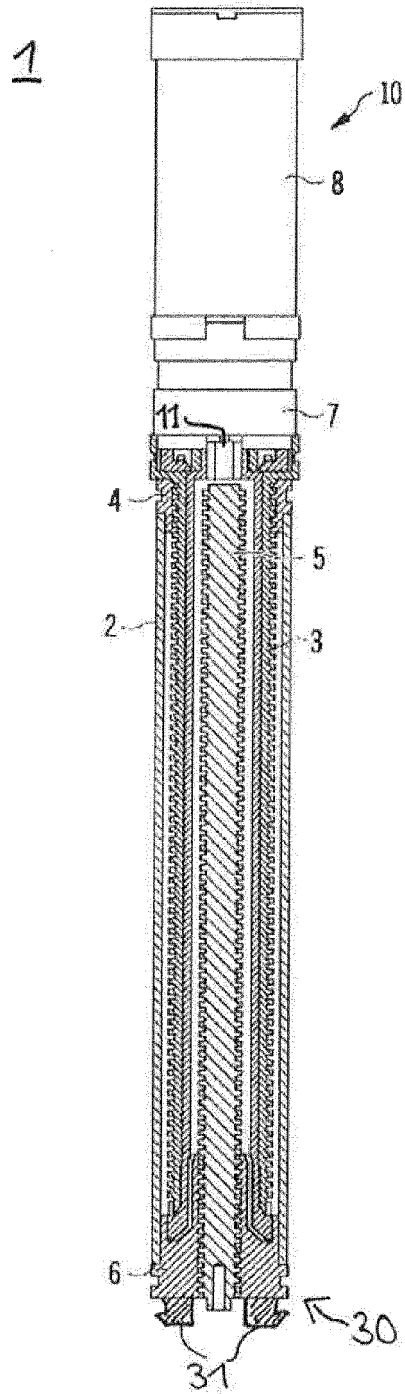


Fig 6

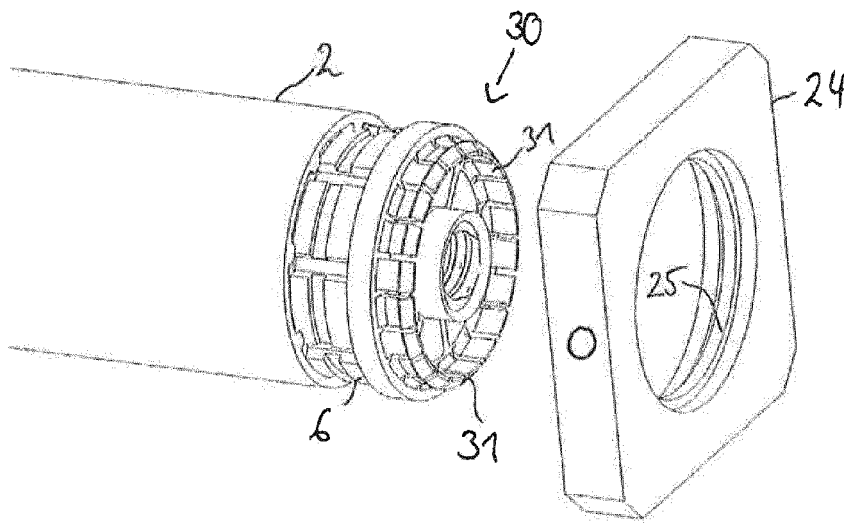


Fig 7

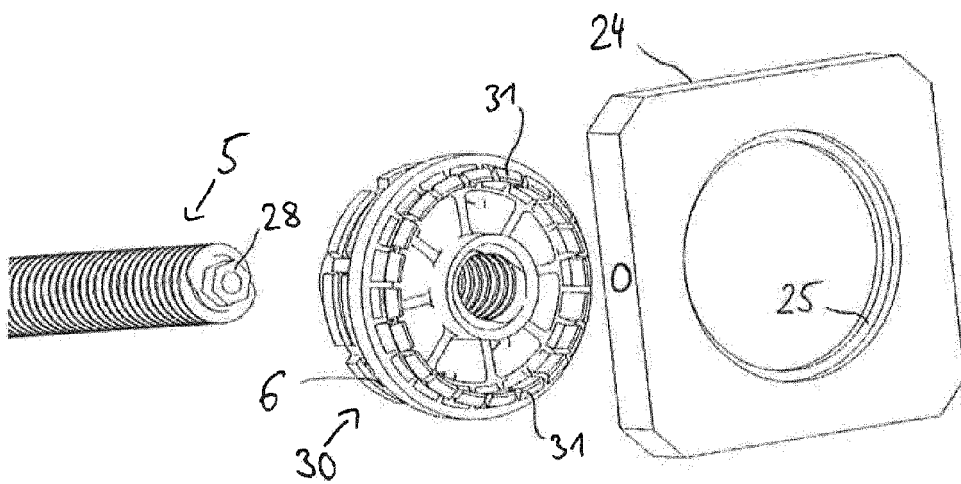


Fig 8

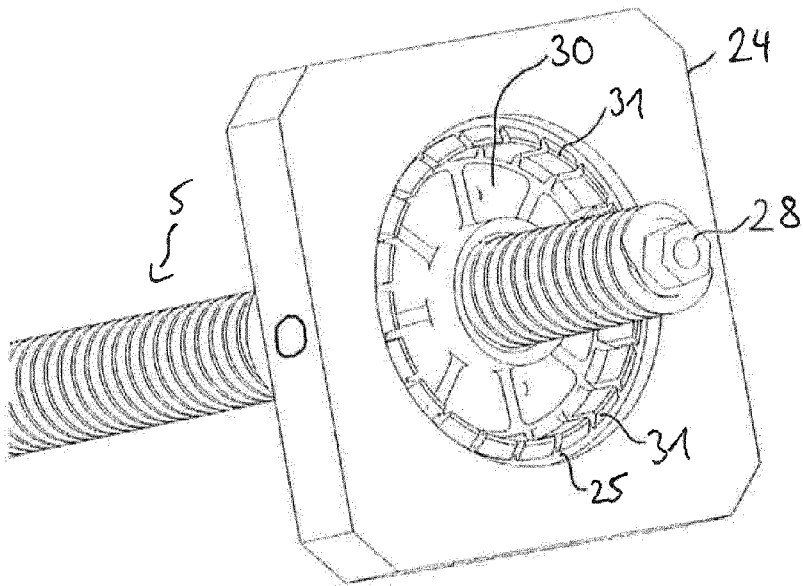


Fig 9

