

(19) World Intellectual Property Organization  
International Bureau



(43) International Publication Date  
9 November 2006 (09.11.2006)

PCT

(10) International Publication Number  
WO 2006/119383 A1

(51) International Patent Classification:  
A01K 1/035 (2006.01)

(21) International Application Number:

PCT/US2006/017029

(22) International Filing Date: 4 May 2006 (04.05.2006)

(25) Filing Language: English

(26) Publication Language: English

(30) Priority Data:

11/121,797 4 May 2005 (04.05.2005) US

KG, KM, KN, KP, KR, KZ, LC, LK, LR, LS, LT, LU, LV, LY, MA, MD, MG, MK, MN, MW, MX, MZ, NA, NG, NI, NO, NZ, OM, PG, PH, PL, PT, RO, RU, SC, SD, SE, SG, SK, SL, SM, SY, TJ, TM, TN, TR, TT, TZ, UA, UG, US, UZ, VC, VN, YU, ZA, ZM, ZW.

(84) Designated States (unless otherwise indicated, for every kind of regional protection available): ARIPO (BW, GH, GM, KE, LS, MW, MZ, NA, SD, SL, SZ, TZ, UG, ZM, ZW), Eurasian (AM, AZ, BY, KG, KZ, MD, RU, TJ, TM), European (AT, BE, BG, CH, CY, CZ, DE, DK, EE, ES, FI, FR, GB, GR, HU, IE, IS, IT, LT, LU, LV, MC, NL, PL, PT, RO, SE, SI, SK, TR), OAPI (BF, BJ, CF, CG, CI, CM, GA, GN, GQ, GW, ML, MR, NE, SN, TD, TG).

(71) Applicant and

(72) Inventor: DIETZ, Dan, L. [US/US]; 10234 Emerald Drive, Houston, Texas 77074 (US).

Declaration under Rule 4.17:

— of inventorship (Rule 4.17(iv))

Published:

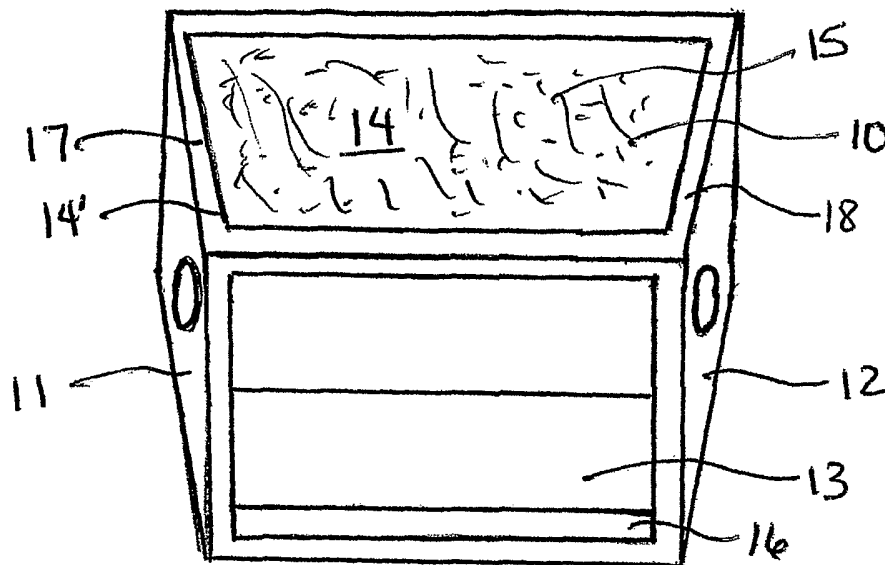
— with international search report  
— before the expiration of the time limit for amending the claims and to be republished in the event of receipt of amendments

(74) Agent: WALKER, Darcell; 9301 SOUTHWEST FREEWAY, Suite 250, Houston, Texas 77074 (US).

(81) Designated States (unless otherwise indicated, for every kind of national protection available): AE, AG, AL, AM, AT, AU, AZ, BA, BB, BG, BR, BW, BY, BZ, CA, CH, CN, CO, CR, CU, CZ, DE, DK, DM, DZ, EC, EE, EG, ES, FI, GB, GD, GE, GH, GM, HR, HU, ID, IL, IN, IS, JP, KE,

For two-letter codes and other abbreviations, refer to the "Guidance Notes on Codes and Abbreviations" appearing at the beginning of each regular issue of the PCT Gazette.

(54) Title: MULTIPLE FUNCTION ANIMAL BED



(57) Abstract: An animal furniture bed having one side open to allow for storing of objects in an area of the bed below the sleeping surface. The bottom of that open side has a lip element that extends the complete length of that side to prevent objects from rolling out of the furniture bed. Lips can also extend upward from each side to create an area in which to place a sleeping pad for an animal. The pad serves as the animal bed.

WO 2006/119383 A1

## **Multiple Function Animal Bed**

### **Field of the Invention**

5

This invention relates to an animal bed and in particular to a multiple function animal bed, which also serves as a storage location for objects, related to the animal, as a bench for humans and as an animal step for getting into a human bed.

10

### **Background of the Invention**

There have been many types of animal beds. These beds come in various designs. Some of the designs include beds shaped as different types of animals. Many beds in the form of animal designs are made of a cushion material to facilitate animal comfort.

One animal bed in U. S. Patent 5,662,065 describes an animal bed that includes an  
15 annular bed frame defining an interior chamber. A perforated top wall is supported at its periphery by the bed frame to receive and support the animal above the chamber. The perforated top wall is composed of a non-woven fabric material to provide a hammock like suspension for the animal, and to permit small insects to fall through the top wall. The chamber is dimensioned to provide a space below the top wall sufficient to inhibit  
20 the insects from traveling upwardly through the top wall. An insect exterminating composition contained within the chamber receives the falling insects and destroys them.

U. S. Patent d288,970 describes a combined animal bed and housing unit. This design has a bed mat resting on a storage unit. The bed also has a canopy covering the mat. The animal would rest on the mat and would be covered by the canopy.

25

### Summary of the Invention

It is an objective of the present invention to provide a multiple purpose animal bed.

It is a second objective of the present invention to provide an animal bed with a storage area below the location where the animal rests.

It is a third objective of the present invention to provide a multiple purpose animal bed that can be used as a rest bench for humans.

It is a fourth objective of the present invention to provide a multiple purpose animal bed that can be used as a step for animals to jump to a higher human bed.

The present invention comprises a furniture bed having a shape that can be for example a square or rectangular shape design with four sides, a top surface and an optional bottom surface. One of the sides is open to allow for storing objects in the present invention. Doors can be included on the furniture bed as an option. The bottom of that open side has a lip element that extends the complete length of that side to prevent objects from rolling out of the furniture bed. Lips can also extend upward from each side to create an area in which to place a sleeping pad for an animal. The pad serves as the animal bed. The material for the animal bed element can be of any conventional material that is used in animal beds. The remaining walls of the furniture bed will be solid. In some instances, the multiple function animal bed may be positioned adjacent a human bed enabling humans to use the bed as a rest bench or as a step to enable animals to get into the human bed.

### Description of the Drawings

Figure 1 is a front view of the multiple function animal furniture bed.

Figure 2 is a top view of the multiple function animal furniture bed.

Figure 3 is a top view of the multiple function animal furniture bed adjacent a  
5 human bed.

Figure 4 is a side view of the multiple function animal furniture bed adjacent a  
human bed.

Figure 5 is a top view of an alternate embodiment of the present invention.

10

### Description of the Invention

Referring to Figure 1, shown is the front view of the multiple function animal  
furniture bed **10** of the present invention. The multiple function animal furniture bed **10**  
can have a generally rectangular shape. Sides **11** and **12** form the two ends of the bed.  
Side **13** is the front and open side of the bed. The back side, not shown, is a solid side  
15 similar to sides **11** and **12**. The back side can also have the same dimensions as the front  
side **13**. The bed has a top side **14** as shown in Figure 2. The top side supports the mat  
material **15** on which the animal will lay. This mat can be a cushion or padded material.  
In some embodiments, the top side **14** may be moveable (e.g., the top side **14** may be  
lifted up). As shown the top side can have tapered corners **14'**. The bed can have an  
20 optional bottom side or floor.

A lip element **16** is positioned at the bottom of the open front side **13**. This lip **16**  
extends the length of the front side. The lip **16** serves to prevent objects from rolling out  
of the storage area of the bed. Many objects and toys for animals have rounded shapes

and have a tendency to roll. This lip 16 serves as a stop to prevent the objects from rolling out of the storage area. In addition, the sides 11 and 12 have lips 17 and 18 that extend upward from these sides passed the top side of the bed. Similar extensions can also extend from the front and back sides in the same manner as the extensions 17 and 18.

5 These extensions create an area in which to place the mat material 15. Some mats have the tendency to slide in response to the weight of an animal. These extensions will serve to help hold the mat in place.

Figure 3 shows the multiple function animal furniture bed 10 of the present positioned adjacent a human bed 20. Positioning the multiple function animal furniture  
10 bed 10 at the foot of the human bed can provide step for an animal pet to get into a human bed 20. Many people do have pets that sleep in the bedroom. Current art does not provide an animal step for animals to get into a human bed. In addition, this multiple function animal furniture bed 10 has the strength to serve as a bench for humans to use as well.

15 Figure 4 gives a side view of the multiple function animal furniture bed 10 of the present invention. Shown is a human bed 20 with a mattress 22. By animal climbing onto the top side 14 and mat material 15 of the multiple function animal furniture bed 10, the animal will have enough elevation to jump into the high human bed 20.

The multiple function animal furniture bed 10 of the present invention can have  
20 various dimensions. In addition, the lip extensions can also have various dimensions. For example, the lip extension 16 at the bottom does not need to have the same dimensions as the lip extensions 17 and 18 at the top. In a preferred embodiment, all lip extensions can be two to three inches in height.

Figure 5 is a top view of an alternate embodiment of the present invention in which only the side adjacent the human bed 20 would have a substantially straight design. The other portion of the bed could have a curved or convex shape as shown. The other previously described features would be the same as in the other embodiments.

5 These features include an opening in the front portion 24 of the bed and a lip extension 16 at the bottom as previously described.

In addition to the lip extensions 17 and 18 on the topside, other attaching means can be used to secure the mat to the top of the bed. These means can include straps attached to the bed that will restrain the mat. Another means is an attaching or adhesive  
10 material such as the material known under the Trademark Velcro. This material can be attached to a skirt that would be attached to the mat.

The present invention provides significant advantages over the current art. The invention has been described in connection with its preferred embodiments. However, it is not limited thereto. Changes, variations and modifications to the basic design may be  
15 made without departing from the inventive concepts in this invention. In addition, these changes, variations and modifications would be obvious to those skilled in the art having the benefit of the foregoing teachings. All such changes, variations and modifications are intended to be within the scope of this invention.

I claim.

1. An animal furniture bed capable of being used to perform multiple functions comprising:

a top side to support an animal;

5 an open side attached to and below said top side and extending to the floor to create a storage area below said top side, to allow for storing of objects in that storage area;

a lip element extending up from said open side and extending the length of said open side; and

10 at least one lip element extending upward from said top side to provide a restraint means for said sleeping surface.

2. The animal furniture bed as described in claim 1 further comprising a pair of side walls attached to the top side and open side of said bed thereby creating the enclosed  
15 storage area.

3. The animal furniture bed as described in claim 1 wherein said open side comprises a front wall attached to said top side and extending downward, said front wall having a convex shape such that the wall and top create the enclosed storage area.

20 4. The animal furniture bed as described in claim 1 further comprising a sleeping surface for an animal positioned on said top side.

5. The animal furniture bed as described in claim 4 wherein the sleeping surface is a cushioned material.

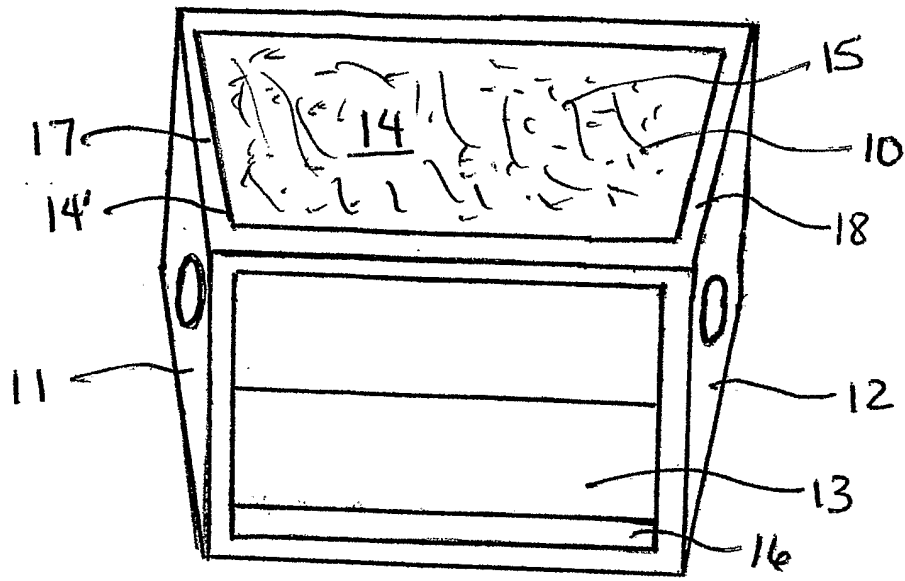


FIG. 1

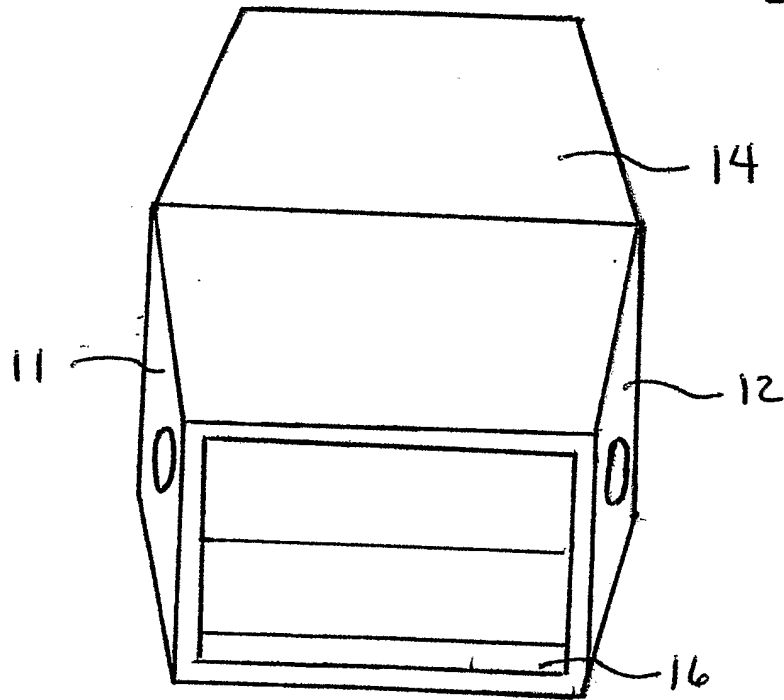


FIG. 2

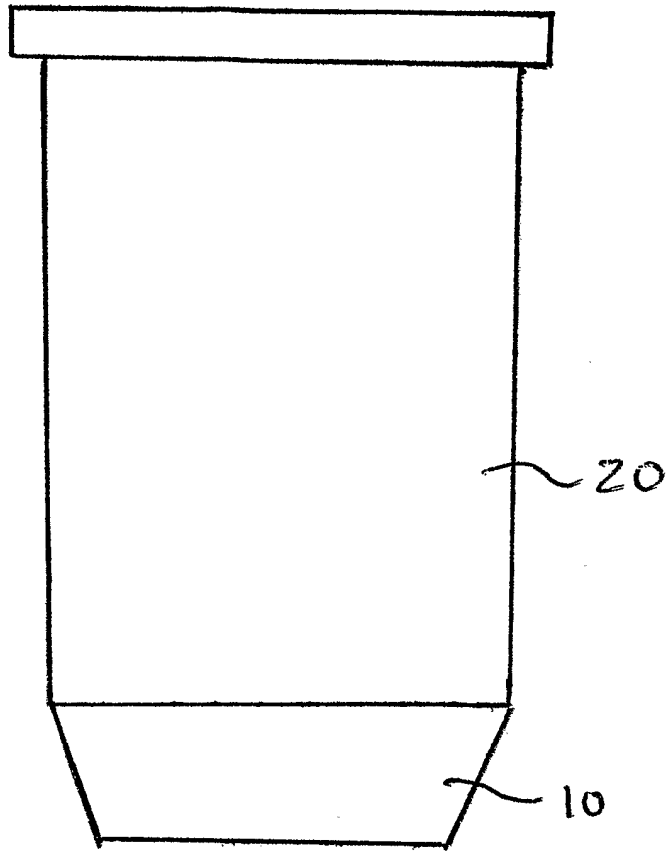


FIG. 3

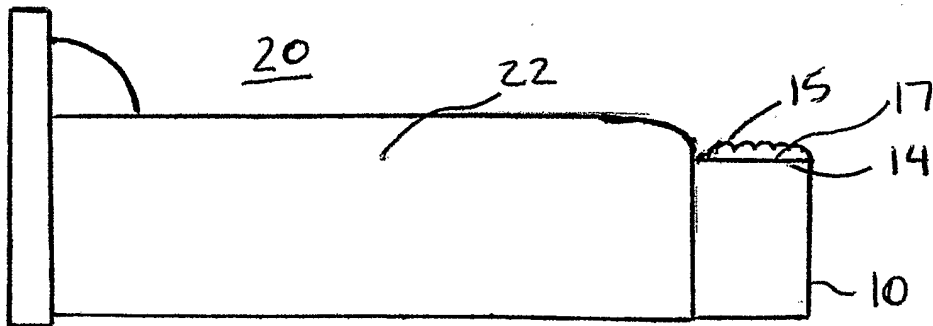


FIG. 4

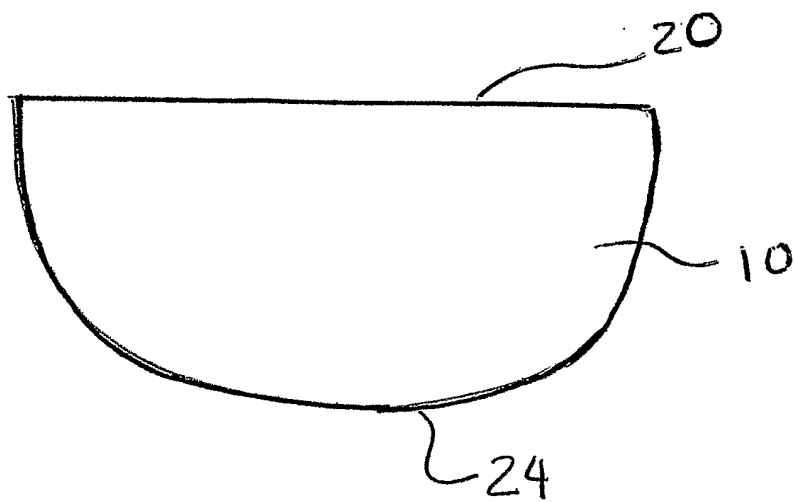


FIG. 5

# INTERNATIONAL SEARCH REPORT

International application No.

PCT/US06/17029

**A. CLASSIFICATION OF SUBJECT MATTER**  
 IPC: A01K 1/035( 2006.01)

USPC: 119/28.5  
 According to International Patent Classification (IPC) or to both national classification and IPC

**B. FIELDS SEARCHED**

Minimum documentation searched (classification system followed by classification symbols)  
 U.S. : 119/28.5, 482, 485, 706; 297/188.08; 15/258, 259, 265

Documentation searched other than minimum documentation to the extent that such documents are included in the fields searched

Electronic data base consulted during the international search (name of data base and, where practicable, search terms used)

**C. DOCUMENTS CONSIDERED TO BE RELEVANT**

Category *	Citation of document, with indication, where appropriate, of the relevant passages	Relevant to claim No.
X	US 5,211,130 A (ELIAS et al.) 18 May 1993 (18.05.1993), column 3, lines 8-50.	1, 2, 4, 5
X	US 2,532,863 A (TAYLOR) 05 December 1950 (05.12.1950), column 4, lines 11-65.	1-4
X	US 4,347,807 A (REICH) 07 September 1982 (07.09.1982), column 3, lines 7-19.	1, 2, 4, 5

Further documents are listed in the continuation of Box C.       See patent family annex.

* Special categories of cited documents:	
"A" document defining the general state of the art which is not considered to be of particular relevance	"T" later document published after the international filing date or priority date and not in conflict with the application but cited to understand the principle or theory underlying the invention
"E" earlier application or patent published on or after the international filing date	"X" document of particular relevance; the claimed invention cannot be considered novel or cannot be considered to involve an inventive step when the document is taken alone
"L" document which may throw doubts on priority claim(s) or which is cited to establish the publication date of another citation or other special reason (as specified)	"Y" document of particular relevance; the claimed invention cannot be considered to involve an inventive step when the document is combined with one or more other such documents, such combination being obvious to a person skilled in the art
"O" document referring to an oral disclosure, use, exhibition or other means	"&" document member of the same patent family
"P" document published prior to the international filing date but later than the priority date claimed	

Date of the actual completion of the international search 27 July 2006 (27.07.2006)	Date of mailing of the international search report <b>15 SEP 2006</b>
Name and mailing address of the ISA/US Mail Stop PCT, Attn: ISA/US Commissioner for Patents P.O. Box 1450 Alexandria, Virginia 22313-1450 Facsimile No. (571) 273-3201	Authorized officer <i>P. Poorn</i> Peter Poorn Telephone No. 571/272-3600