



US00D972766S

(12) **United States Design Patent**
Yang

(10) **Patent No.:** **US D972,766 S**

(45) **Date of Patent:** **** Dec. 13, 2022**

(54) **LAMP**

(71) Applicant: **Dongguan Gorges Technology Co., Ltd.**, Dongguan (CN)

(72) Inventor: **Qing Yang**, Dongguan (CN)

(**) Term: **15 Years**

(21) Appl. No.: **29/738,944**

(22) Filed: **Jun. 22, 2020**

(51) **LOC (13) Cl.** **26-04**

(52) **U.S. Cl.**
USPC **D26/75**

(58) **Field of Classification Search**
USPC D26/1, 24, 72, 113, 138, 154, 75, 87, 88,
D26/92, 79, 60, 61; 362/147, 404, 432
CPC F21Y 2103/00; F21Y 2103/10; F21Y
2107/30; F21V 21/02; F21V 21/30; F21V
21/03; F21V 21/10; F21S 8/00; F21S
8/033; F21S 8/04; F21S 8/043; F21S
8/036

See application file for complete search history.

(56) **References Cited**

U.S. PATENT DOCUMENTS

| | | | | |
|--------------|---------|----------|-------|---------|
| D113,125 S * | 1/1939 | Stewart | | D26/76 |
| D124,182 S * | 12/1940 | McCann | | D26/87 |
| D155,488 S * | 10/1949 | Crockett | | D26/60 |
| D295,329 S * | 4/1988 | Roos | | D26/104 |
| D381,734 S * | 7/1997 | Murphy | | D22/134 |
| D441,125 S * | 4/2001 | Crosby | | D26/87 |
| D442,317 S * | 5/2001 | Crosby | | D26/87 |
| D484,272 S * | 12/2003 | Lay | | D26/113 |
| D511,222 S * | 11/2005 | Hetfield | | D26/76 |
| D549,383 S * | 8/2007 | Duggan | | D26/85 |
| D558,381 S * | 12/2007 | Horn | | D26/85 |
| D563,013 S * | 2/2008 | Levine | | D26/63 |
| D583,976 S * | 12/2008 | Horn | | D26/72 |
| D626,264 S * | 10/2010 | Liu | | D26/61 |
| D646,002 S * | 9/2011 | Wang | | D26/51 |

| | | | | |
|--------------|---------|-----------|-------|---------|
| D647,241 S * | 10/2011 | Takahashi | | D26/72 |
| D653,376 S * | 1/2012 | Kong | | D26/72 |
| D681,869 S * | 5/2013 | Goelz | | D26/138 |
| D799,733 S * | 10/2017 | Recker | | D26/76 |

(Continued)

FOREIGN PATENT DOCUMENTS

| | | | |
|----|-----------|---|--------|
| CN | 305077540 | * | 3/2019 |
| CN | 305532485 | * | 1/2020 |

(Continued)

OTHER PUBLICATIONS

BenQ Screen Bar Plus e-Reading LED Computer Monitor Light Lamp, available in Amazon.com, date first available Jun. 12, 2018 [online], [site visited Apr. 27, 2022], Available from the internet URL: https://www.amazon.com/dp/B07DP7RYXV/ref=cm_sw_em_r_mt_dp_PG1XA4DKM0R0GMQD94R5?_encoding=UTF8&ppsc=1 (Year: 2018).*

Primary Examiner — Brett Miller
Assistant Examiner — Jasmine L. Comedy
(74) *Attorney, Agent, or Firm* — Runit Ranjit Kanakia

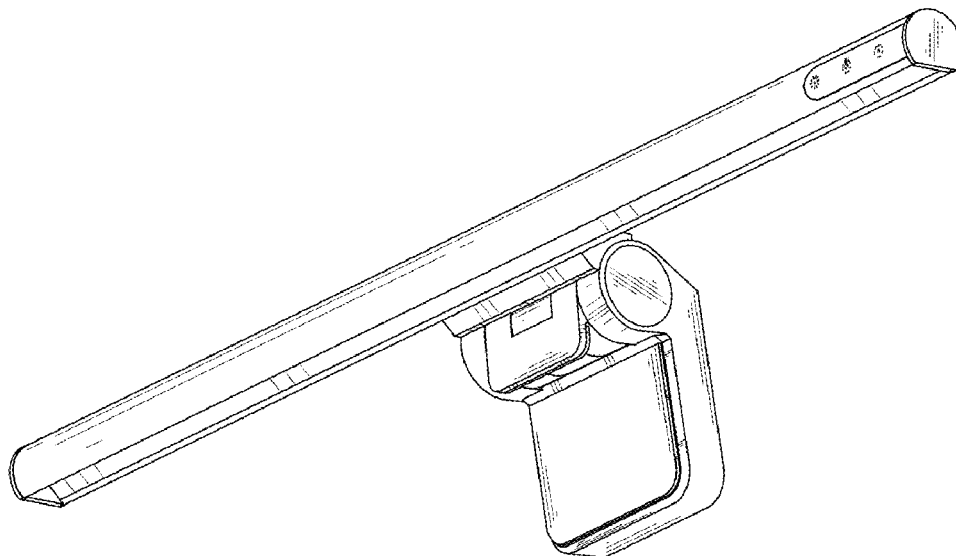
(57) **CLAIM**

The ornamental design for a lamp, as shown and described.

DESCRIPTION

FIG. 1 is a first perspective view of a lamp showing my new design;
FIG. 2 is a second perspective view thereof;
FIG. 3 is a front view thereof;
FIG. 4 is a back view thereof;
FIG. 5 is a left side view thereof;
FIG. 6 is a right side view thereof;
FIG. 7 is a top view thereof; and,
FIG. 8 is a bottom view thereof.
The broken lines shown in the drawings depict portions of the lamp in which the design is embodied that form no part of the claimed design.

1 Claim, 8 Drawing Sheets



(56)

References Cited

U.S. PATENT DOCUMENTS

D819,868 S * 6/2018 Qiao D26/87
D828,608 S * 9/2018 Botti D26/85
D851,805 S * 6/2019 Chen D26/76
D864,456 S * 10/2019 Lin D26/76
D866,843 S * 11/2019 Benghozi D26/87
2013/0033883 A1* 2/2013 Ward B62K 21/12
362/474
2018/0363889 A1* 12/2018 Yen F21V 15/04

FOREIGN PATENT DOCUMENTS

CN 305804780 * 5/2020
CN 305822959 * 6/2020
EM 007213285-0002 * 11/2019

* cited by examiner

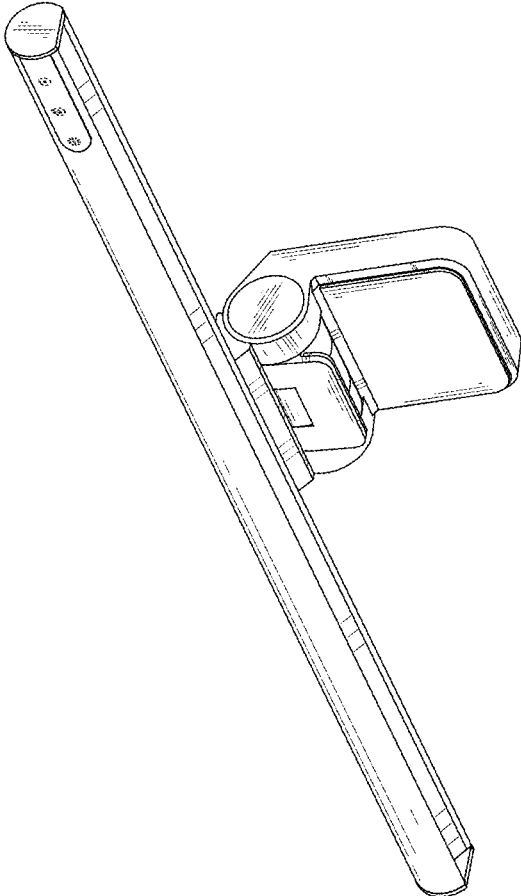


FIG. 1

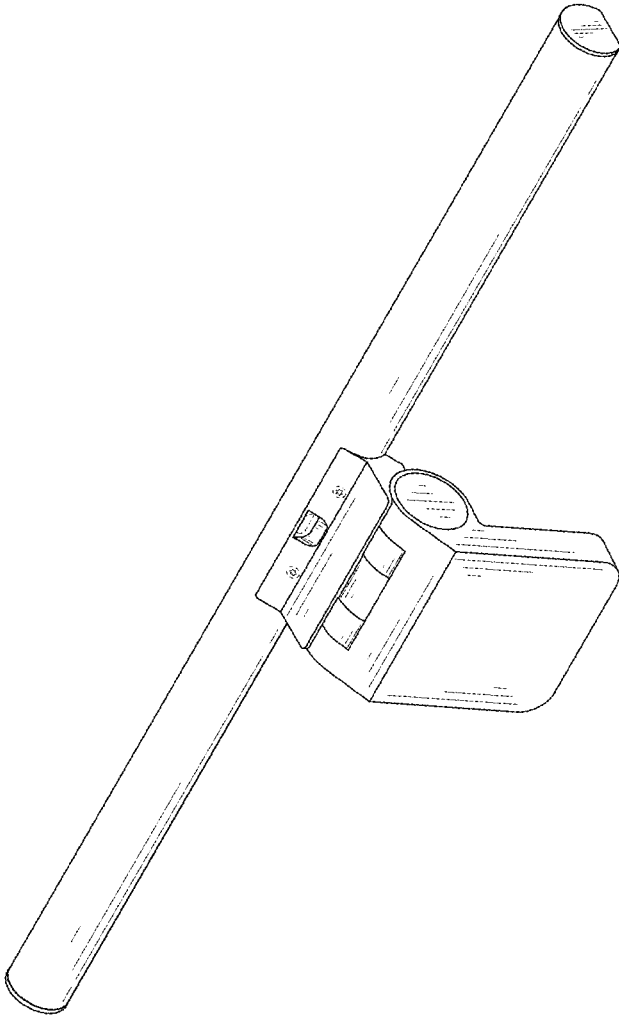


FIG. 2

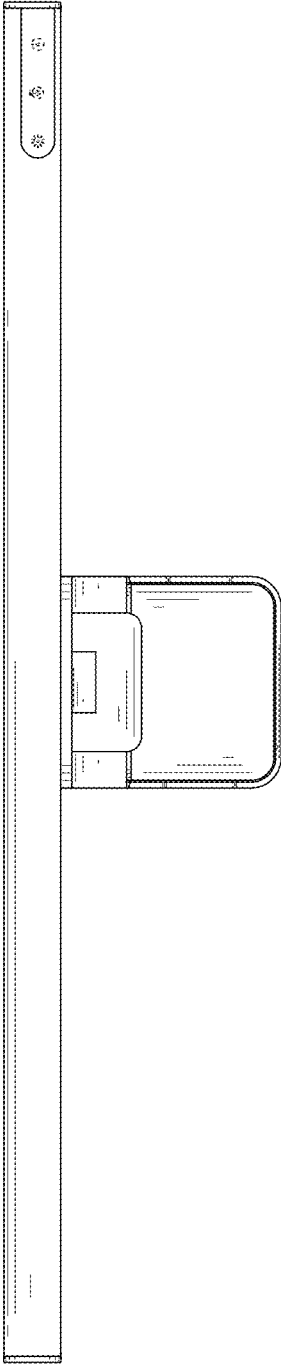


FIG. 3

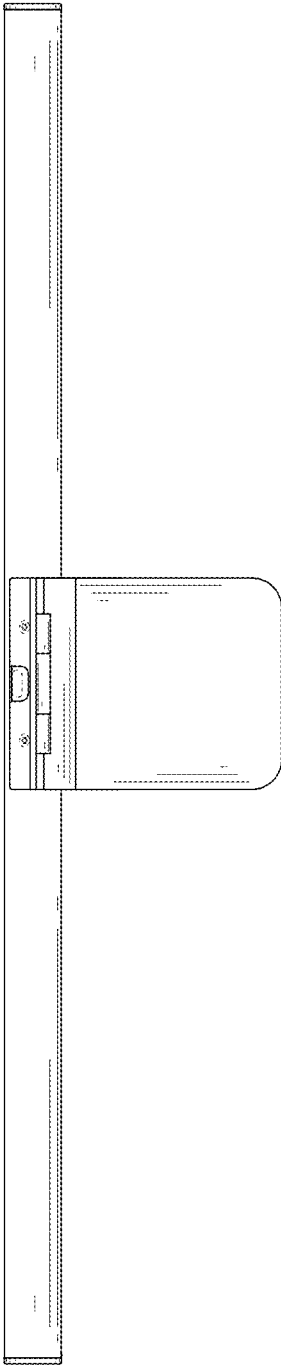


FIG. 4

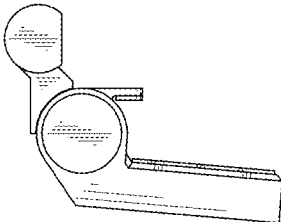


FIG. 5

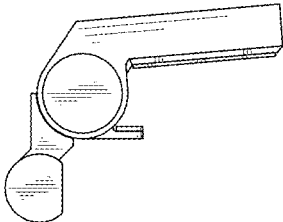


FIG. 6

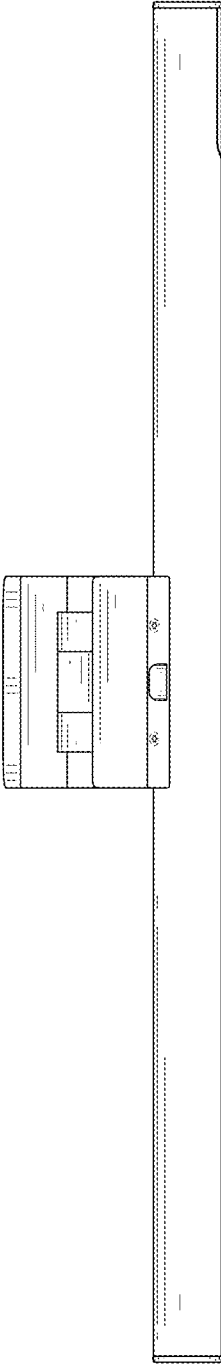


FIG. 7

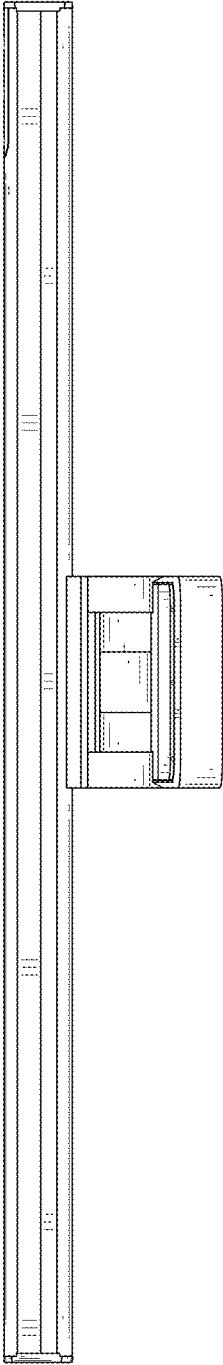


FIG. 8