



US00D720976S

(12) **United States Design Patent**
Greiner

(10) **Patent No.:** **US D720,976 S**

(45) **Date of Patent:** **** Jan. 13, 2015**

(54) **CAN OPENER**
(71) Applicant: **Moha Moderne Haushaltwaren AG,**
Vernier (CH)

(72) Inventor: **Ulrich Greiner,** Neu-Ulm (DE)

(73) Assignee: **Moha Moderne Haushaltwaren AG,**
Vernier (CH)

(**) Term: **14 Years**

(21) Appl. No.: **29/487,624**

(22) Filed: **Apr. 10, 2014**

(30) **Foreign Application Priority Data**

Dec. 12, 2013 (WO) 780558301

(51) **LOC (10) Cl.** **07-99**

(52) **U.S. Cl.**
USPC **D8/41**

(58) **Field of Classification Search**
USPC D8/14, 16, 18, 19, 33-43, 88, 89, 105,
D8/107, 309; 7/112, 113, 151-156;
81/3.07, 3.09, 3.2, 3.27, 3.29, 3.31,
81/3.35, 3.37, 3.4, 3.48, 3.49, 3.55;
74/543, 545, 547, 555

See application file for complete search history.

(56) **References Cited**

U.S. PATENT DOCUMENTS

1,131,582 A 3/1915 Walsh
1,393,412 A 10/1921 Waller
1,592,942 A * 7/1926 Hanson 74/548

1,713,823 A 5/1929 Edlund
1,759,364 A 5/1930 Quigg
1,813,620 A 7/1931 Henry
2,865,148 A * 12/1958 Moore 451/549
3,941,010 A * 3/1976 Howell 74/545
4,117,568 A * 10/1978 Bullock 16/110.1
D292,550 S * 11/1987 Jackson D8/309
5,150,853 A * 9/1992 Bernard et al. 242/283
D336,233 S * 6/1993 Zimmermann D8/309
5,653,149 A * 8/1997 Cavanagh 74/545
D423,311 S 4/2000 Fitzpatrick
6,108,917 A 8/2000 Bellis et al.
D466,771 S 12/2002 Chang
6,845,562 B2 1/2005 Evans
D568,120 S * 5/2008 Peterson D7/693
D627,615 S * 11/2010 Kushner et al. D8/42
D655,775 S * 3/2012 Shaffer et al. D22/107
8,167,273 B2 * 5/2012 Sjostedt 254/278
2004/0251454 A1 * 12/2004 Weed, Jr. 254/266

* cited by examiner

Primary Examiner — Elizabeth Albert

(74) *Attorney, Agent, or Firm* — Dority & Manning, P.A.

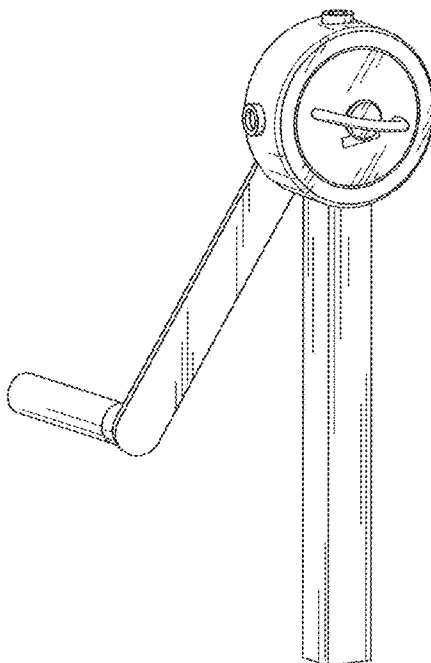
(57) **CLAIM**

The ornamental design for a can opener, as shown and described.

DESCRIPTION

FIG. 1 is a perspective view of the front of the can opener;
FIG. 2 is a front elevation view;
FIG. 3 is a back elevation view;
FIG. 4 is a right side elevation view;
FIG. 5 is a left side elevation view;
FIG. 6 is a top plan view of the can opener; and,
FIG. 7 is a bottom plan view of the can opener.

1 Claim, 4 Drawing Sheets



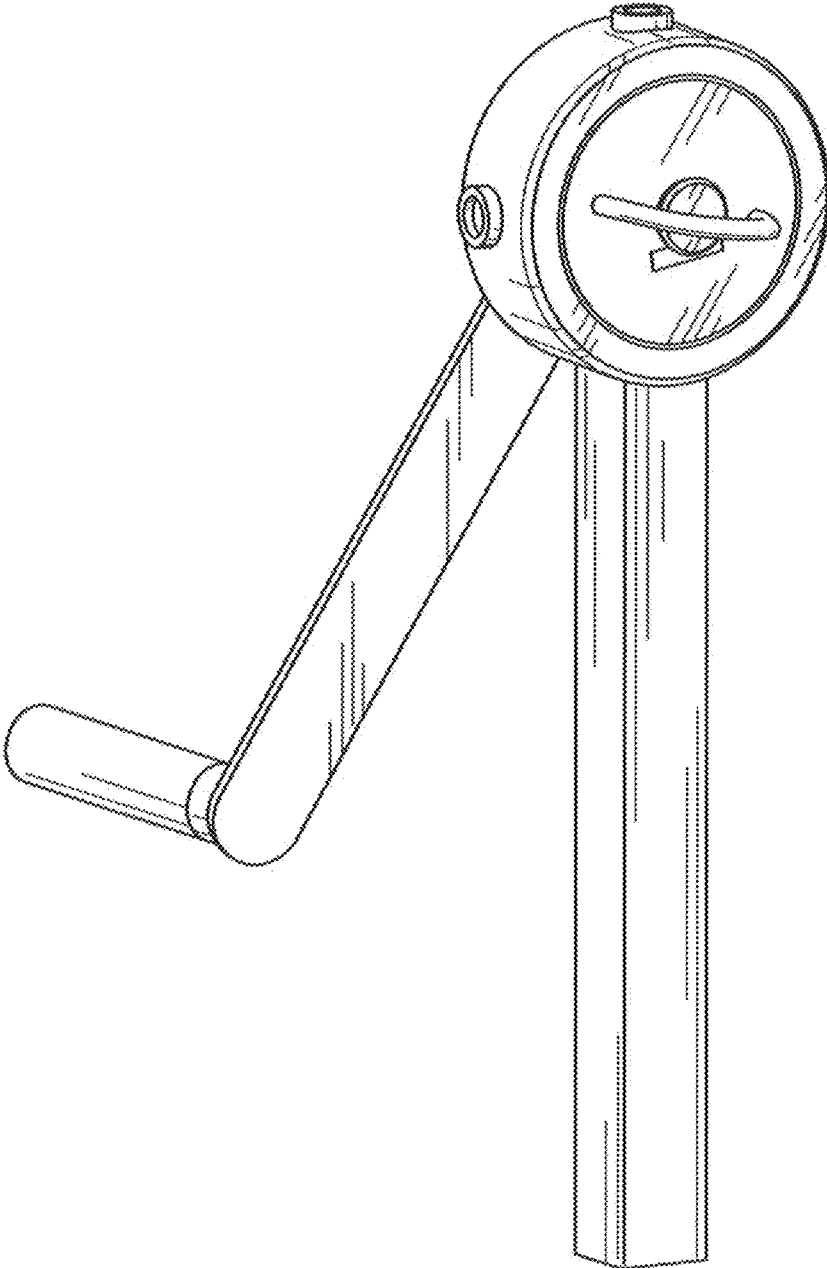


FIG. 1

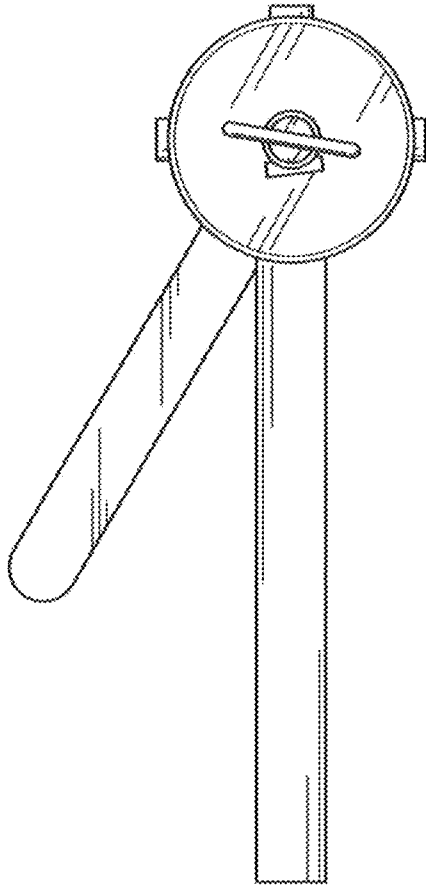


FIG. 2

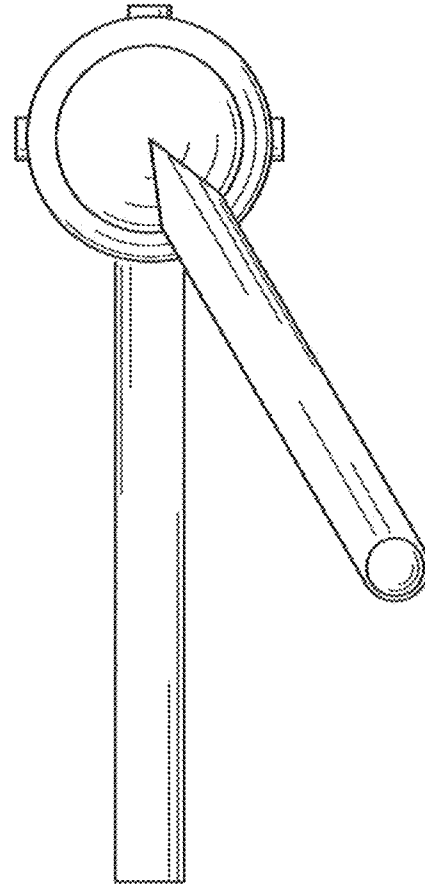


FIG. 3

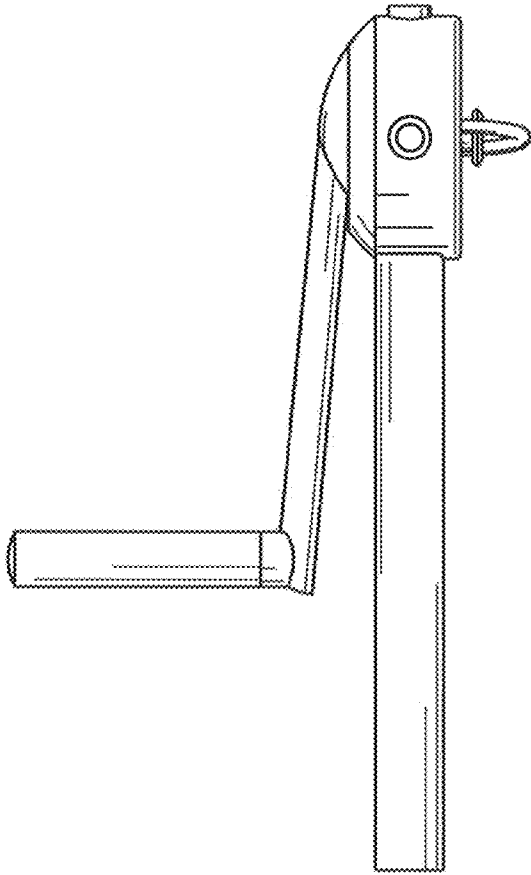


FIG. 4

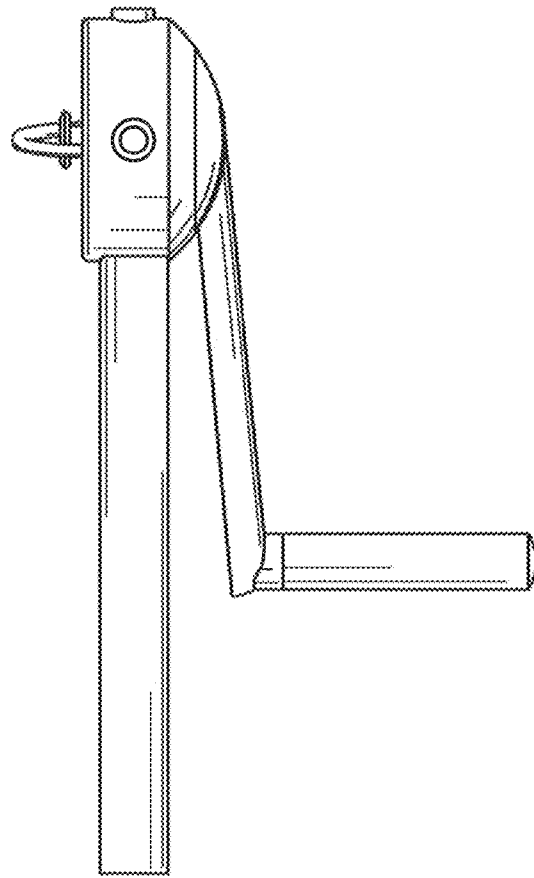


FIG. 5

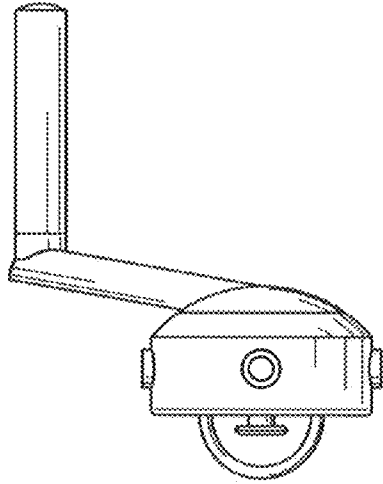


FIG. 6

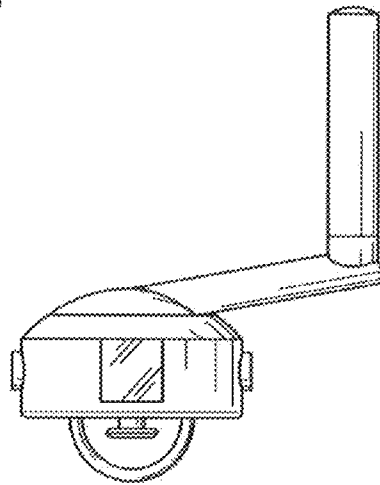


FIG. 7