



US0D1049652S

(12) **United States Design Patent**
Baker

(10) **Patent No.:** **US D1,049,652 S**

(45) **Date of Patent:** **** Nov. 5, 2024**

(54) **GLIDE SHEET FOR DISPLAY RACK**

Refrigerator-Adhesive/dp/B08BZ6NKZB/ref=pd_day0_d_scll_1_15/131-141858 (Year: 2020).*

(71) Applicant: **B-O-F CORPORATION**, Aurora, IL (US)

(Continued)

(72) Inventor: **Brent Baker**, Sandwich, IL (US)

Primary Examiner — Karen S Acker

(73) Assignee: **B-O-F CORPORATION**, Aurora, IL (US)

(74) *Attorney, Agent, or Firm* — MARSHALL, GERSTEIN & BORUN LLP

(**) Term: **15 Years**

(57) **CLAIM**

(21) Appl. No.: **29/758,318**

The ornamental design for a glide sheet for display rack, as shown and described.

(22) Filed: **Nov. 13, 2020**

(51) **LOC (14) Cl.** **05-06**

DESCRIPTION

(52) **U.S. Cl.**

USPC **D5/60**

(58) **Field of Classification Search**

USPC D5/8, 16, 24, 37, 43, 47, 53, 55, 56, 57, D5/59, 60, 61, 62, 63, 99
CPC . D03D 3/005; B60N 2/60; A61F 2013/53916; A61F 2013/00153; A61F 2002/30144; A47G 27/045; A47G 27/04; A47G 27/02; A47G 27/00
See application file for complete search history.

FIG. 1 is a top, left and rear perspective view of a glide sheet for display rack showing the new design;
FIG. 2 is an enlarged detail view of area 2 circumscribed within FIG. 1;
FIG. 3 is an enlarged detail view of area 3 circumscribed within FIG. 1;
FIG. 4 is a front view of the glide sheet for display rack of FIG. 1;
FIG. 5 is an enlarged detail view of area 5 circumscribed within FIG. 4;
FIG. 6 is a rear view of the glide sheet for display rack of FIG. 1;
FIG. 7 is a right side view of the glide sheet for display rack of FIG. 1;
FIG. 8 is an enlarged detail view of area 8 circumscribed within FIG. 7;
FIG. 9 is a left side view of the glide sheet for display rack of FIG. 1;
FIG. 10 is a top view of the glide sheet for display rack of FIG. 1; and,
FIG. 11 is a bottom view of the glide sheet for display rack of FIG. 1.
The dot dash broken lines depict the boundaries of the areas of the enlarged details and form no part of the claimed design.

(56) **References Cited**

U.S. PATENT DOCUMENTS

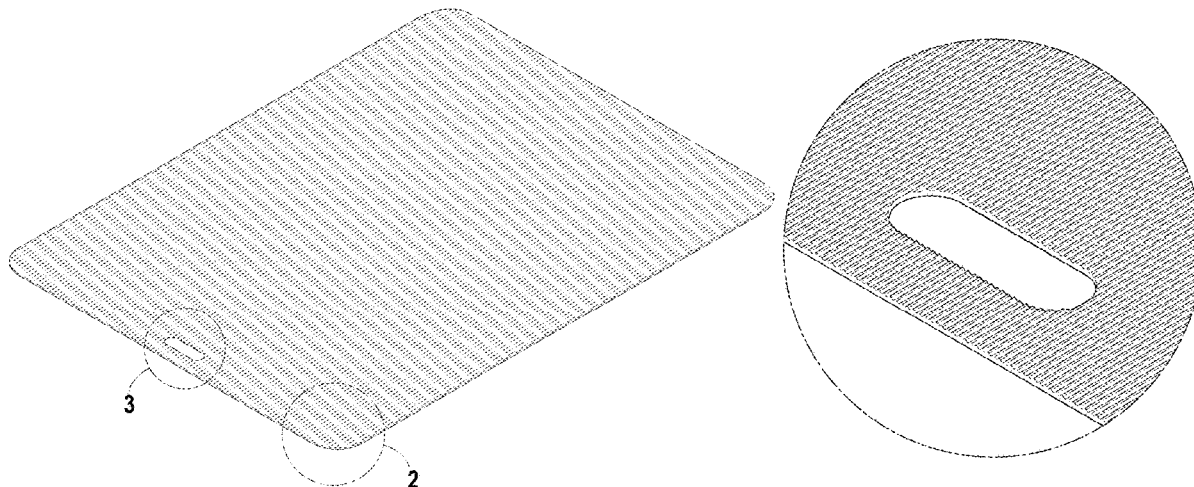
D59,545 S *	11/1921	Estes	D5/60
D109,864 S *	5/1938	Weisberger	D5/47
D124,473 S *	12/1940	Lion	D5/7
D206,367 S *	11/1966	Hughes	66/193
D207,487 S *	4/1967	Briggs	D23/209
D215,157 S *	9/1969	Edmondson	D23/267
4,204,480 A *	5/1980	Hanna	A47B 57/42 211/187

(Continued)

OTHER PUBLICATIONS

Glomen shelf liner, Jun. 29, 2020, found on Sep. 12, 2024 at <https://www.amazon.com/Non-Slip-Washable-Oil-Proof->

1 Claim, 7 Drawing Sheets



(56)

References Cited

U.S. PATENT DOCUMENTS

4,809,855 A * 3/1989 Bustos A47F 1/12
 D6/675.4
 5,035,929 A * 7/1991 Myers B44F 1/066
 40/454
 D323,440 S * 1/1992 Bustos D6/574
 D418,926 S * 1/2000 Owens D25/138
 D423,440 S * 4/2000 Sneed D12/203
 6,329,040 B1 * 12/2001 Oshima B44F 3/00
 428/167
 D460,828 S * 7/2002 Chaffiotte D24/219
 D536,878 S * 2/2007 Harkenrider D5/60
 D569,628 S * 5/2008 Harkenrider D5/60
 D608,473 S * 1/2010 Larson D25/138
 D631,985 S * 2/2011 Waters D25/138
 D656,741 S * 4/2012 Snyder D5/60
 D706,562 S * 6/2014 Kim D6/705.7
 D714,465 S * 9/2014 Narbonne D25/151
 D748,932 S * 2/2016 Puricelli D6/608
 D754,372 S * 4/2016 Oh D25/163
 D773,073 S * 11/2016 Bracher D25/163
 D782,071 S * 3/2017 Metcalf E04F 13/0871
 D25/106
 D799,252 S * 10/2017 Coretti, Jr. D6/705
 D801,548 S * 10/2017 Panzera D25/103
 D814,050 S * 3/2018 Darrow D25/138
 D830,578 S * 10/2018 Panzera D25/103
 D833,781 S * 11/2018 Hartman D6/675
 D845,687 S * 4/2019 Golias D6/705
 D849,271 S * 5/2019 Power D25/138
 D876,123 S * 2/2020 Scorgie D6/583
 D891,788 S * 8/2020 Popp D5/60
 D927,889 S * 8/2021 Jelinek D6/605
 D958,587 S * 7/2022 Yan D7/354
 D984,168 S * 4/2023 Au D6/574
 D989,515 S * 6/2023 Au D6/574
 D1,020,304 S * 4/2024 Allen D6/582

D1,041,243 S * 9/2024 Hong D7/388
 2006/0165954 A1 * 7/2006 Gold B32B 3/16
 428/105
 2011/0111182 A1 * 5/2011 Stay C23C 18/08
 428/173
 2013/0219600 A1 * 8/2013 Atorrasagasti B32B 5/08
 2/463
 2015/0104607 A1 * 4/2015 Ijaz A45C 13/002
 156/256
 2015/0208830 A1 * 7/2015 Hardy A47B 57/58
 211/59.3

OTHER PUBLICATIONS

Gorilla Grip, Jul. 10, 2019, found on Sep. 12, 2024 at https://www.amazon.com/Gorilla-Grip-Adhesive-Cabinets-Kitchens/dp/B07N9V19F1/ref=pd_ci_mcx_di_int_sccai_cn_d_scc1_2_3/131-1418587-051 (Year: 2019).*

Birchwood transfer board, Feb. 16, 2017 found on Sep. 11, 2024 at https://www.amazon.com/dp/B079YKCLW4/ref=sspa_dk_detail_0?psc=1&pf_rd_p=c4606765-78ec-444e-9319-716ceb6c5a61&pf_rd_r=E8 (Year: 2017).*

GMH gravity glider, date unknown, found on Sep. 12, 2024 at www.gmh-tech.com/article/20.html (Year: 2024).*

DMI Transfer board, Jul. 14, 2016, found on Jul. 1, 2024, at <https://www.walmart.com/ip/DMI-Transfer-Board-Slide-Board-Made-Heavy-Duty-Wood-Patient-Senior-Handicap-Move-Assist> (Year: 2016).*

Rehabilitation advantage, Jan. 25, 2017, found on Sep. 11, 2024 at https://www.amazon.com/Rehabilitation-Advantage-high-Density-Plastic-Transfer/dp/B079L7CX4J/ref=pd_day0ft_consumables_d_scc1 (Year: 2017).*

B-O-F catalog, Nov. 2022, found on Sep. 21, 2024 at https://www.webstaurantstore.com/documents/PDF/brochure/bof_versarack_brochure.pdf (Year: 2022).*

* cited by examiner

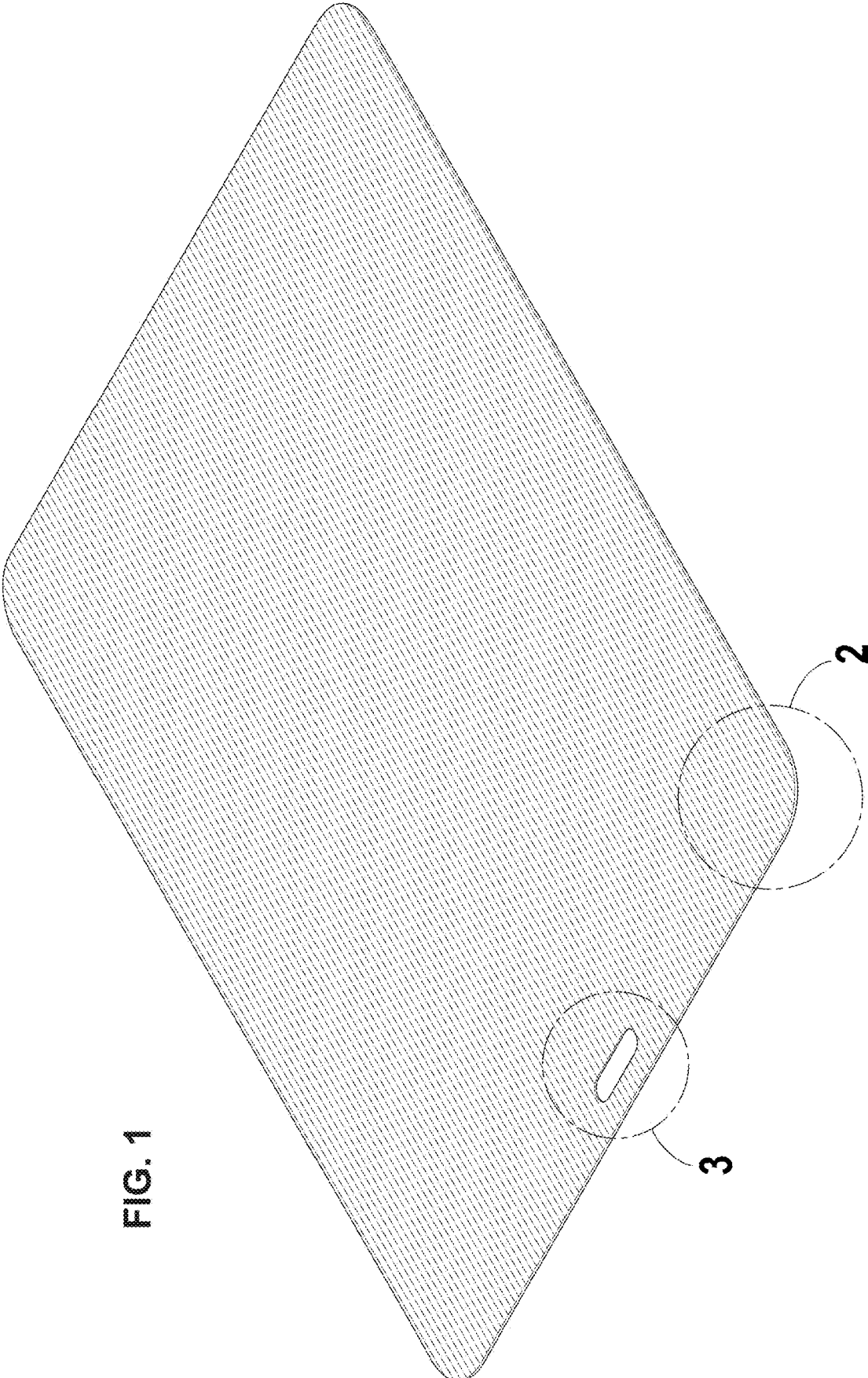


FIG. 1

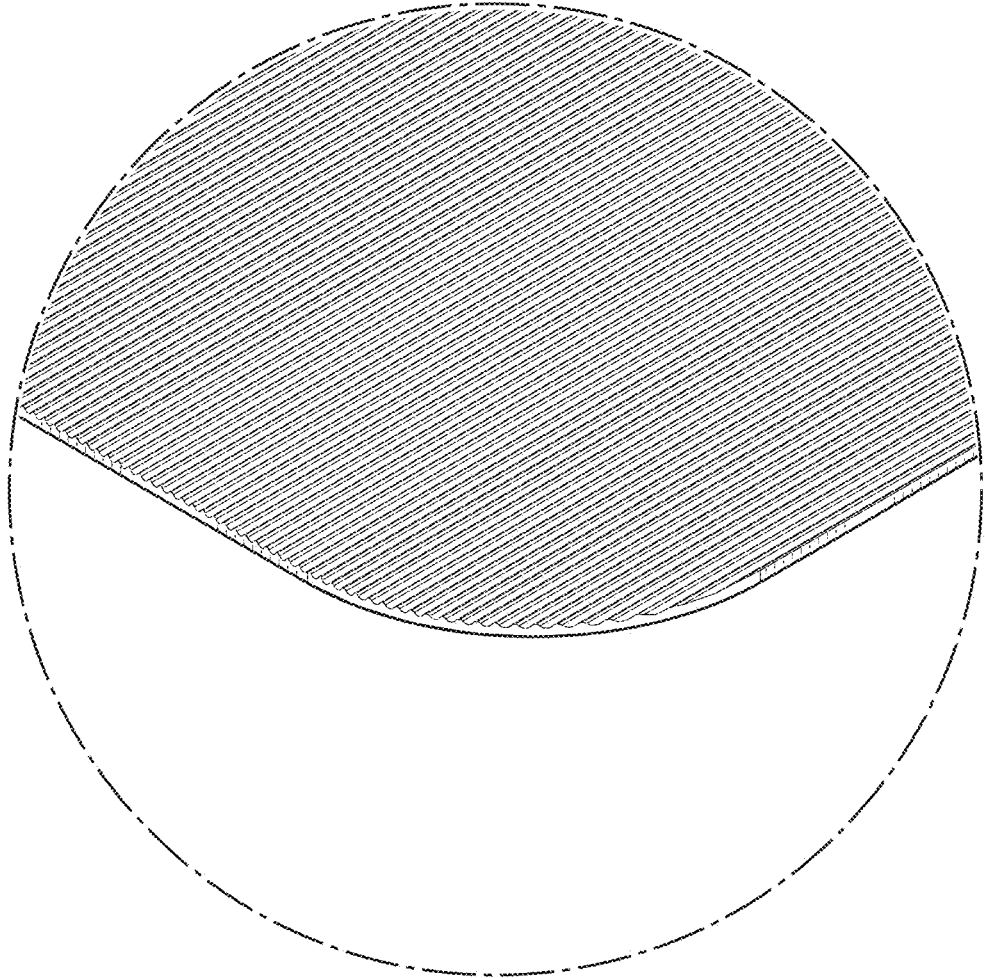


FIG. 2

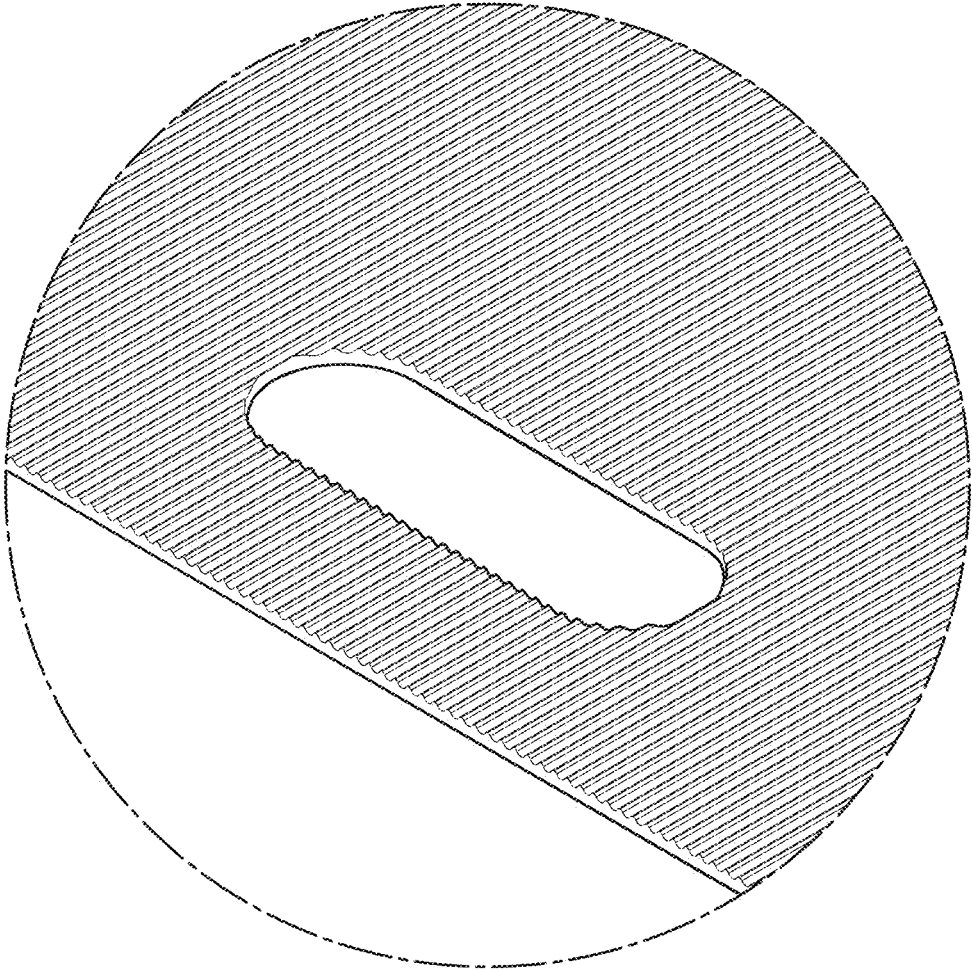
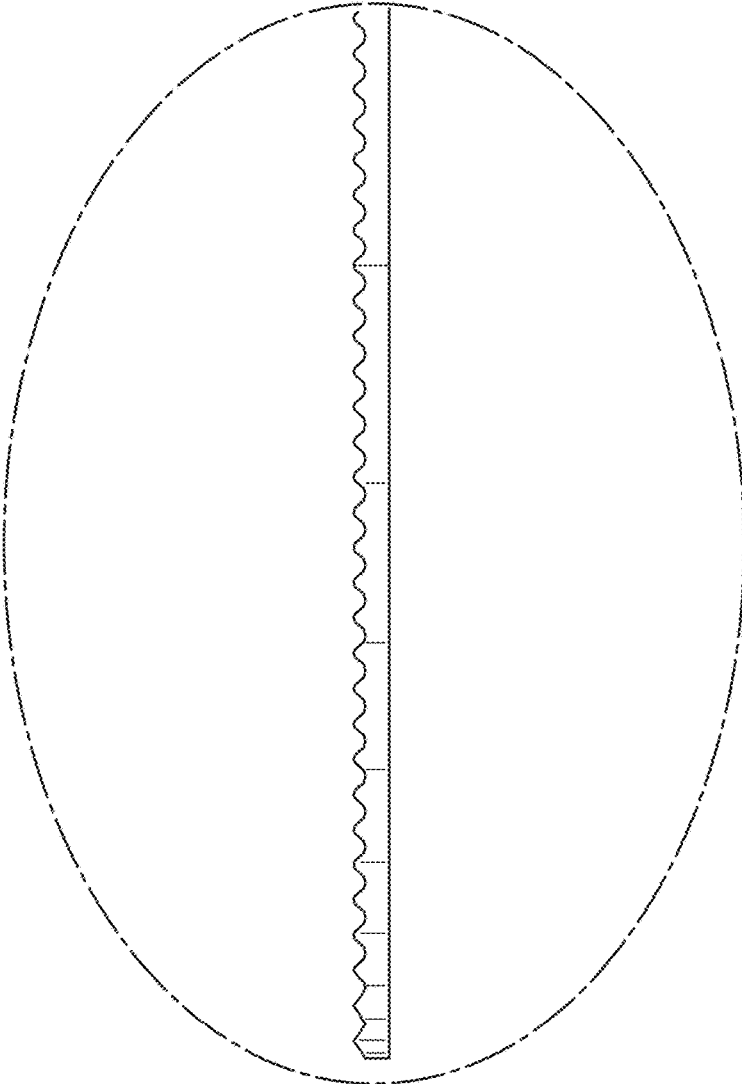
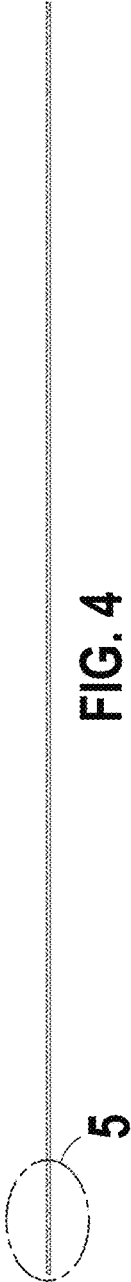


FIG. 3



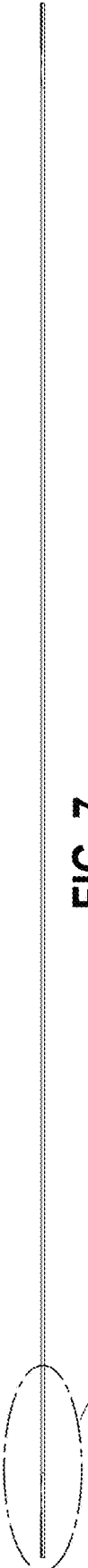


FIG. 7

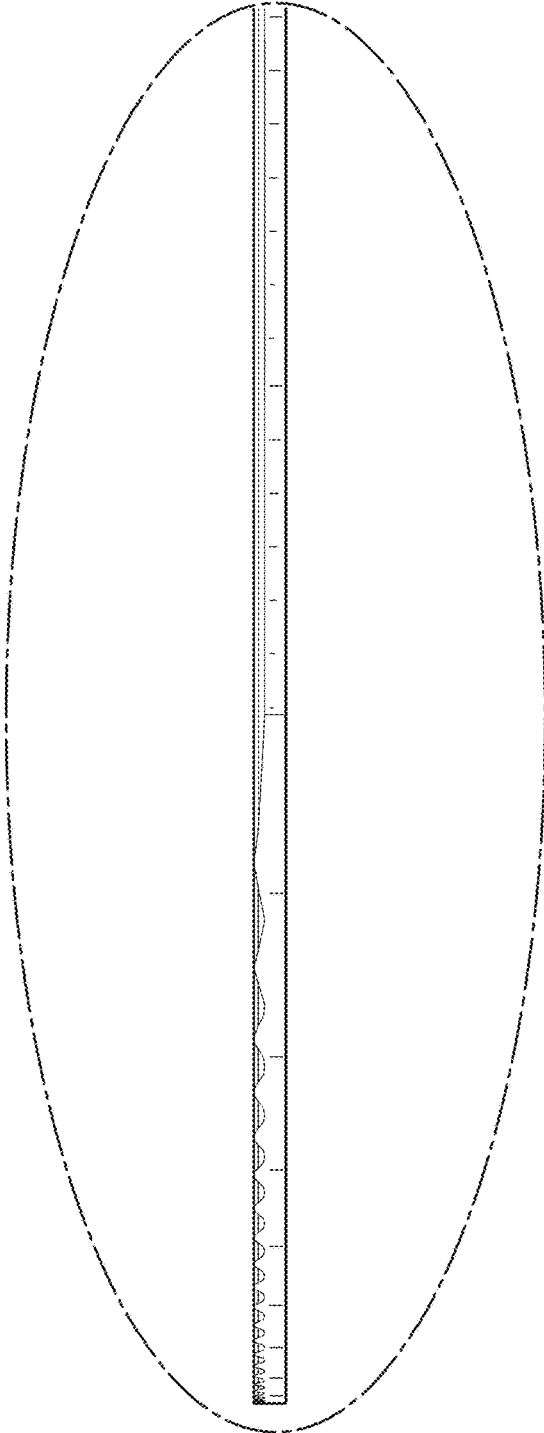


FIG. 8



FIG. 9

FIG. 10

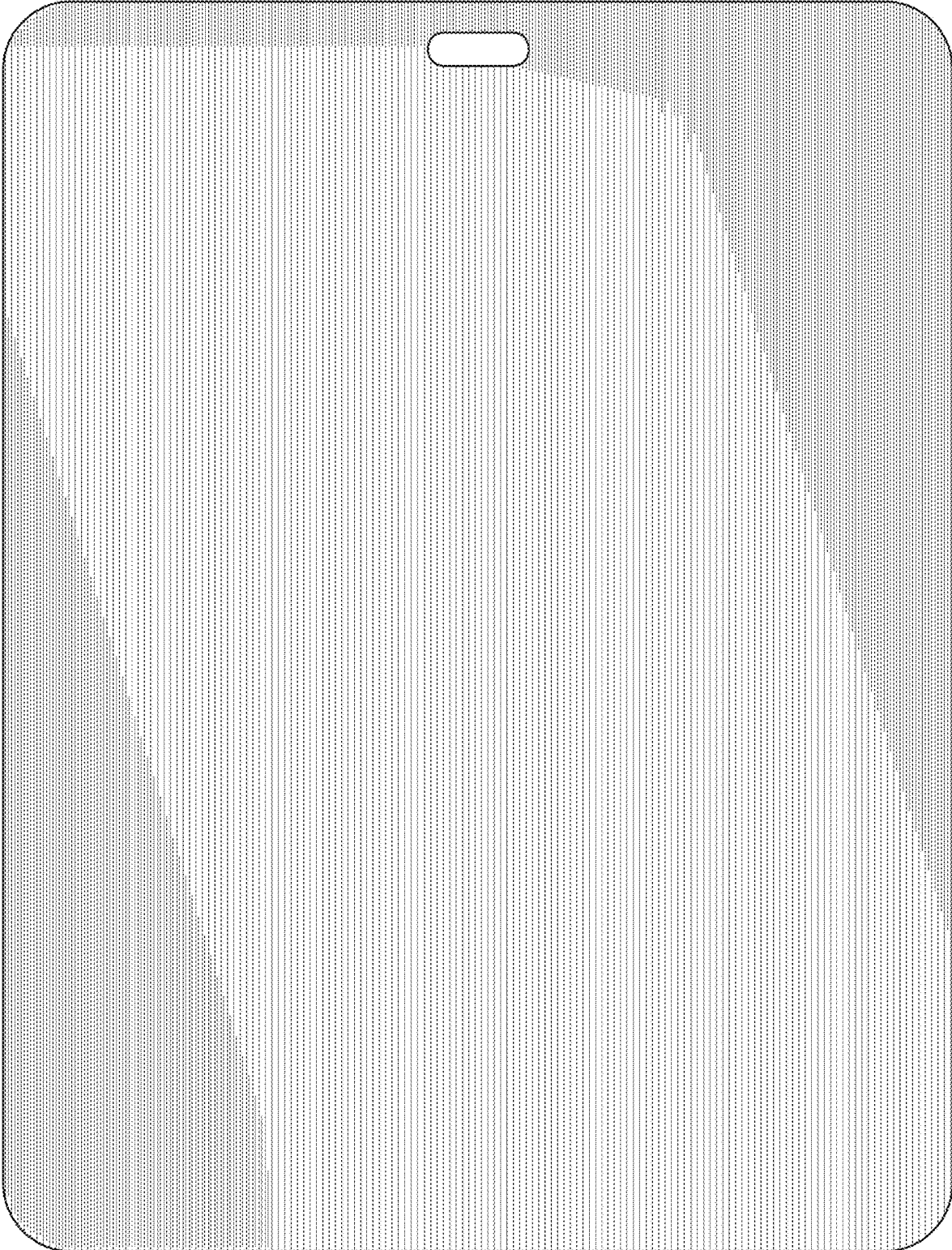


FIG. 11

