



US0D1015658S

(12) **United States Design Patent**  
**Zuo et al.**

(10) **Patent No.:** **US D1,015,658 S**

(45) **Date of Patent:** **\*\* Feb. 20, 2024**

(54) **SHOE DRYER**

(71) Applicant: **Dongguan JingNuo Environment Science and Technology Inc.,**  
Dongguan (CN)

(72) Inventors: **Fei Zuo,** Dongguan (CN); **Rui Chen,** Dongguan (CN); **Tianwen Wu,** Dongguan (CN)

(73) Assignee: **Dongguan JingNuo Environment Science and Technology Inc.**

(\*\*) Term: **15 Years**

(21) Appl. No.: **29/832,356**

(22) Filed: **Mar. 28, 2022**

(51) **LOC (14) Cl.** ..... **15-05**

(52) **U.S. Cl.**

USPC ..... **D32/8;** D32/58; D23/366; D15/199

(58) **Field of Classification Search**

USPC ..... D32/1, 8, 14.1, 25, 35, 58, 59; D2/979; D15/199; D23/366

CPC ..... A47L 23/205; A47L 23/20; A47L 23/18; D06F 2105/32; D06F 29/005; D06F 58/38; D06F 60/00

See application file for complete search history.

(56) **References Cited**

**U.S. PATENT DOCUMENTS**

4,787,153	A *	11/1988	Chen	.....	A47L 23/205	34/239
D541,493	S *	4/2007	Peet	.....	D32/8	
D563,619	S *	3/2008	Palese	.....	D32/58	
D565,260	S *	3/2008	Lam	.....	D32/8	
7,430,816	B1 *	10/2008	Lozenski	.....	A47L 23/205	34/104
D620,578	S *	7/2010	Russell, II	.....	D23/366	
D641,528	S *	7/2011	Wai	.....	D32/58	
D872,393	S *	1/2020	Xiao	.....	D15/199	
D938,671	S *	12/2021	Kim	.....	D32/8	
D967,572	S *	10/2022	Zhang	.....	D32/58	
D984,764	S *	4/2023	Dai	.....	D32/8	

D995,959	S *	8/2023	Zucco	.....	D32/8	
2021/0121043	A1 *	4/2021	Lin	.....	A47L 23/205	
2021/0145247	A1 *	5/2021	Lin	.....	A47L 23/205	
2023/0233056	A1 *	7/2023	Lin	.....	A47L 23/205	34/239

**FOREIGN PATENT DOCUMENTS**

CN 303358782 \* 9/2015

**OTHER PUBLICATIONS**

Lavieair boot dryer shoe dryer and deodorizer, available in Amazon.com, date first available Sep. 22, 2022 [online], [site visited Sep. 28, 2023], Available from the internet URL: [https://www.amazon.com/dp/B0BG4MV4V7?ref\\_=cm\\_sw\\_r\\_apan\\_dp\\_0HJQX3CFJX02YHFYN3HX](https://www.amazon.com/dp/B0BG4MV4V7?ref_=cm_sw_r_apan_dp_0HJQX3CFJX02YHFYN3HX) (Year: 2022).\*

\* cited by examiner

*Primary Examiner* — Cynthia Ramirez

*Assistant Examiner* — Jennylou M Binas

(74) *Attorney, Agent, or Firm* — Jose Cherson Weissbrot

(57) **CLAIM**

We claim the ornamental design for a shoe dryer, as shown and described.

**DESCRIPTION**

FIG. 1 is a front perspective view of a shoe dryer showing our new design;

FIG. 2 is a front view thereof;

FIG. 3 is a back view thereof;

FIG. 4 is a left-side view thereof;

FIG. 5 is a right-side view thereof;

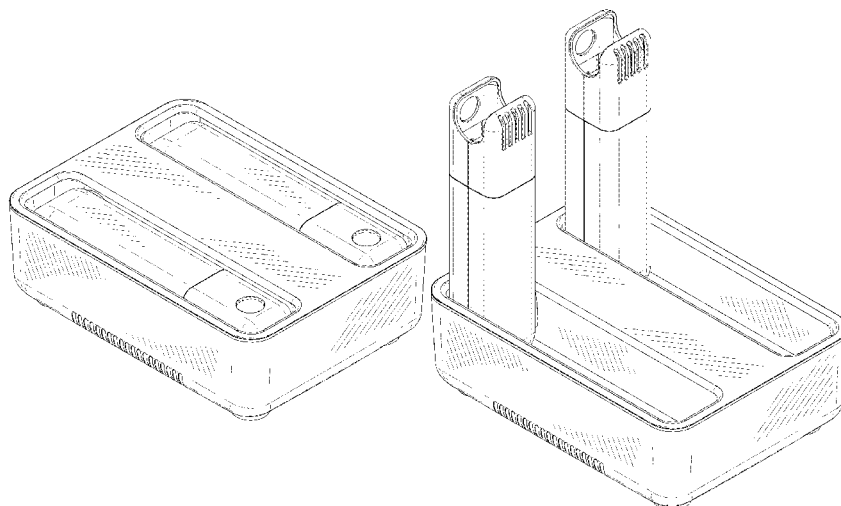
FIG. 6 is a top view thereof;

FIG. 7 is a bottom view thereof; and,

FIG. 8 is a perspective view of a shoe dryer showing in open position.

The broken lines in the drawings depict portions of the shoe dryer that form no part of the claimed design.

**1 Claim, 8 Drawing Sheets**



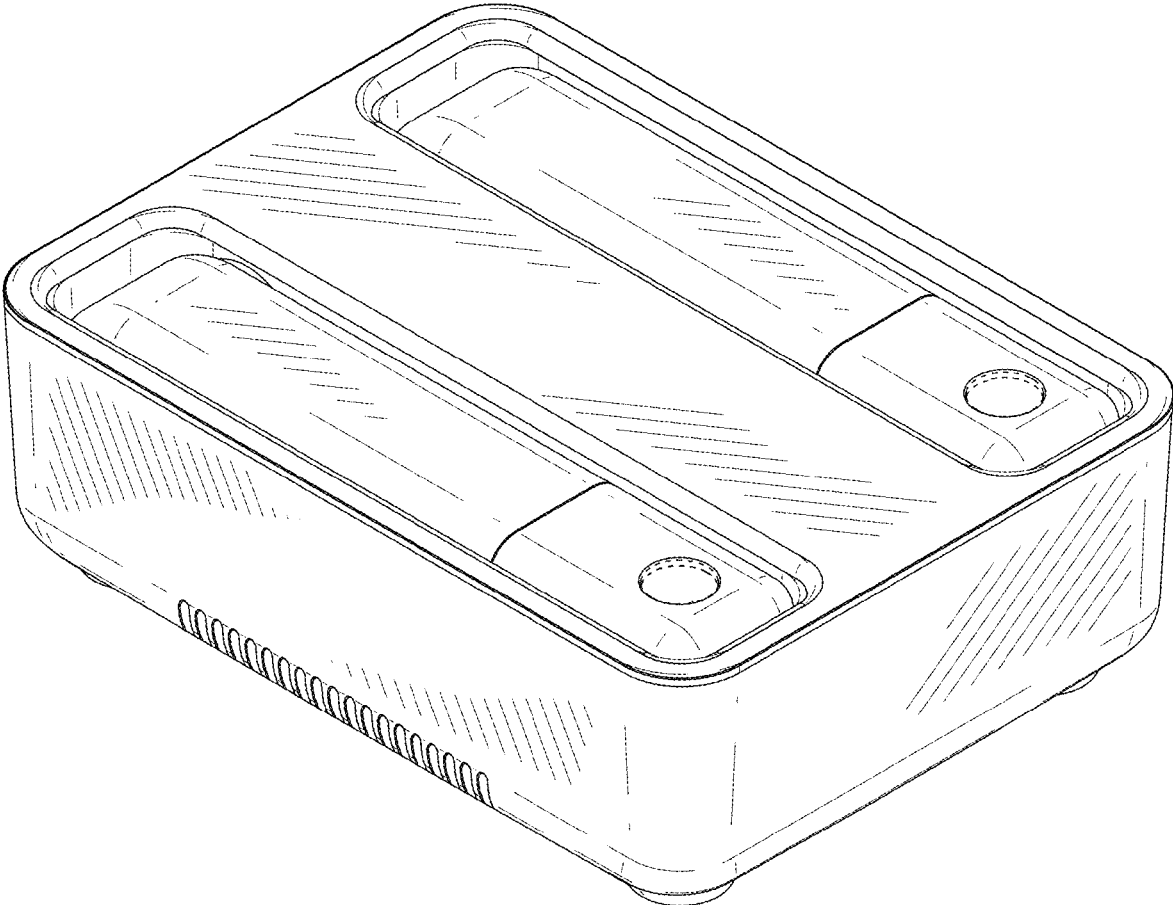


FIG. 1

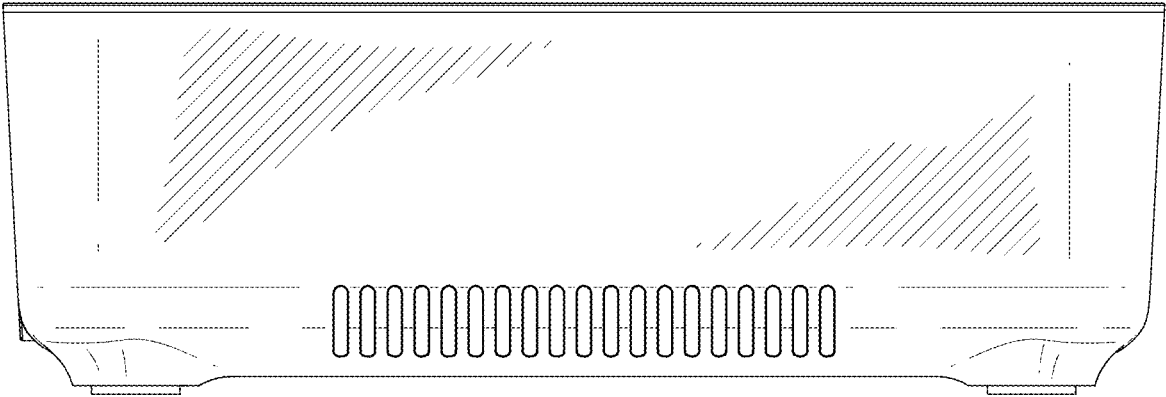


FIG. 2

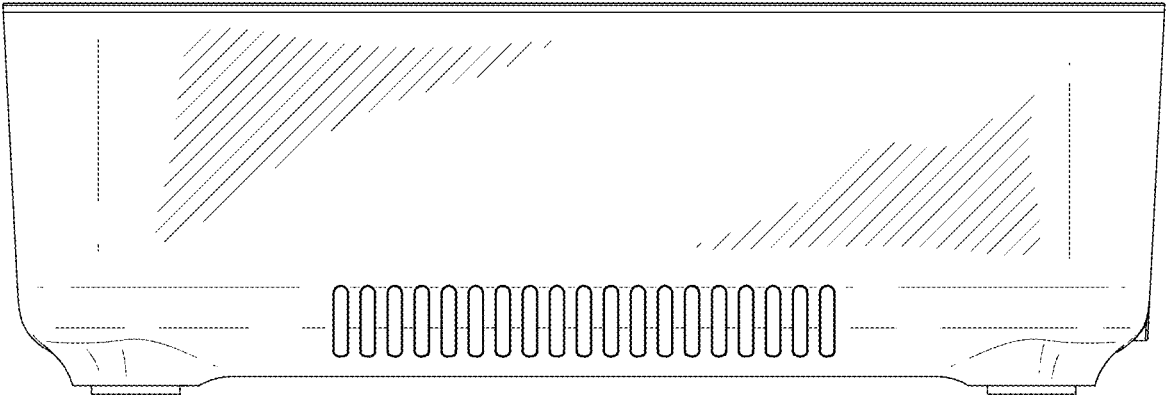


FIG. 3

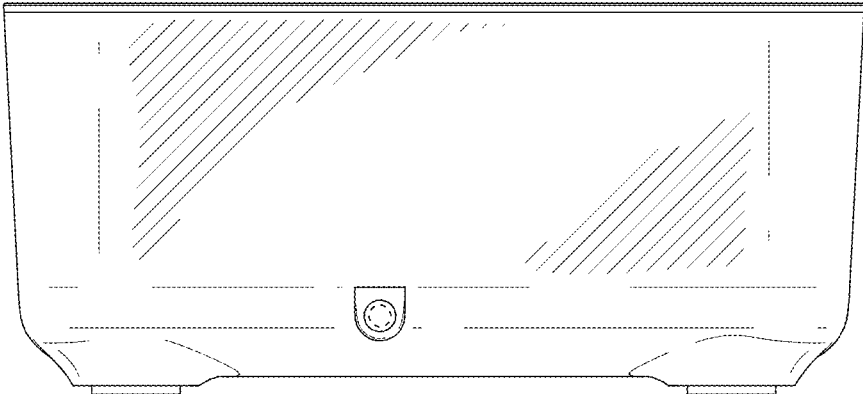


FIG. 4

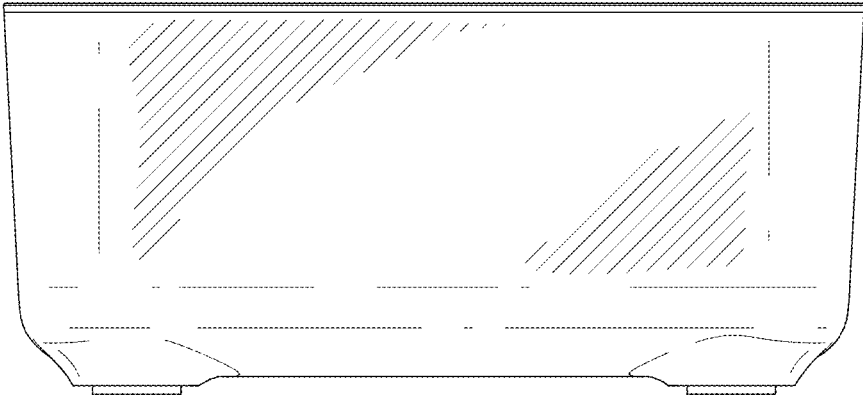


FIG. 5

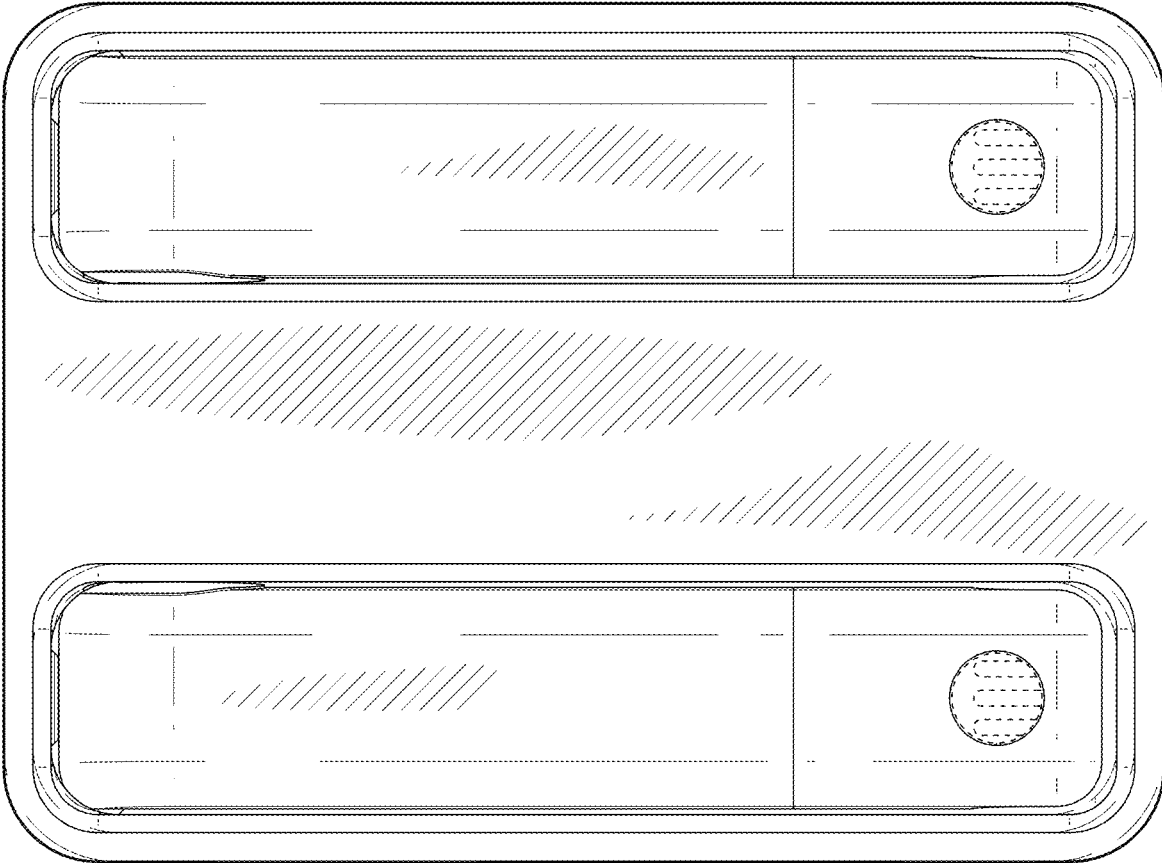


FIG. 6

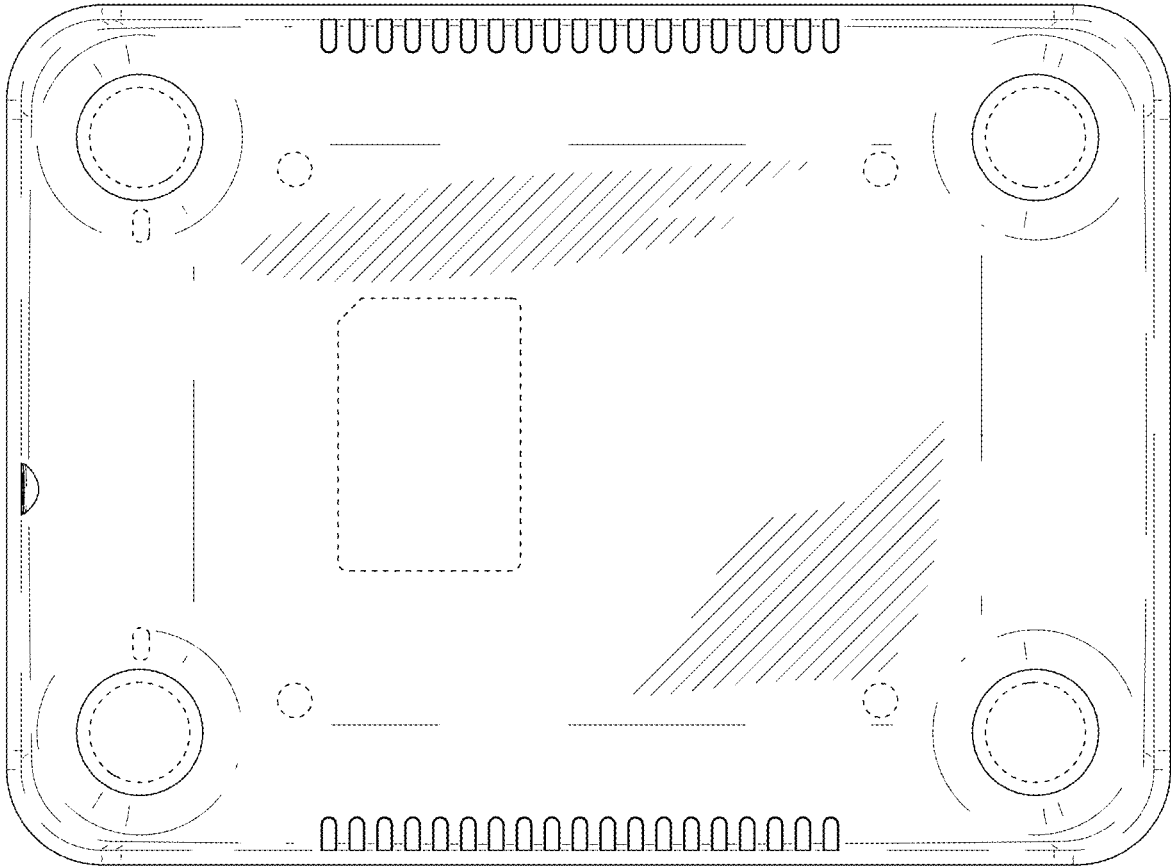


FIG. 7

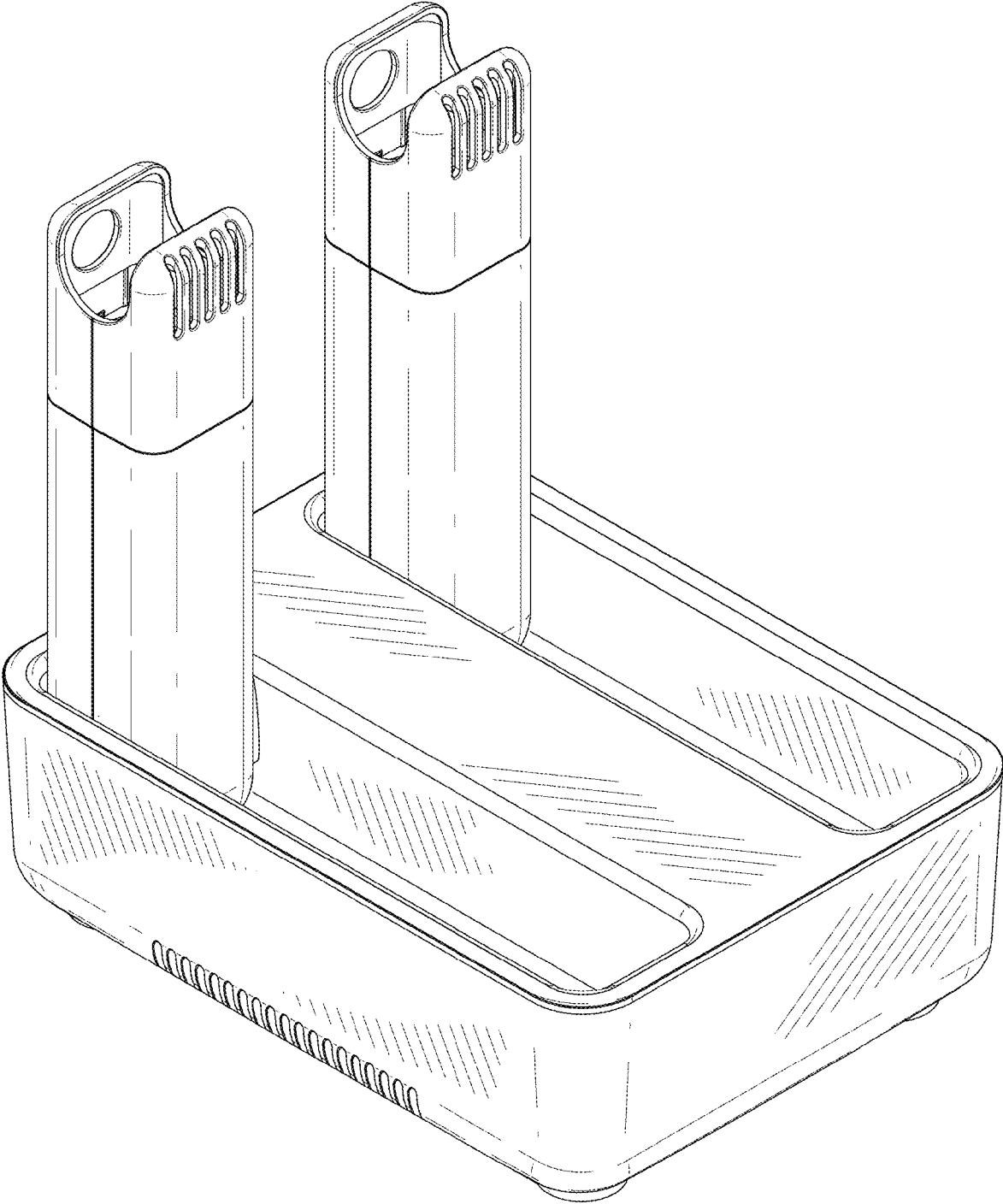


FIG. 8