



US00D692956S

(12) **United States Design Patent**
Kitamura

(10) **Patent No.:** **US D692,956 S**

(45) **Date of Patent:** **** Nov. 5, 2013**

(54) **REMOTE CONTROLLER FOR TOY ROBOT**

(75) Inventor: **Teruo Kitamura**, Tokyo (JP)

(73) Assignee: **Tomy Company, Ltd.** (JP)

(**) Term: **14 Years**

(21) Appl. No.: **29/428,111**

(22) Filed: **Jul. 26, 2012**

(30) **Foreign Application Priority Data**

Jan. 27, 2012 (JP) 2012-001608

(51) **LOC (9) Cl.** **21-01**

(52) **U.S. Cl.**
USPC **D21/324; D21/333**

(58) **Field of Classification Search**
USPC D21/324, 300, 328, 333, 385, 453;
273/317, 332, 331, 148 R, 148 B;
446/75, 76, 429, 454, 456; D14/356,
D14/358, 432, 454, 217; 463/1, 49, 51-53,
463/30, 37, 46, 47; 345/156
See application file for complete search history.

(56) **References Cited**

U.S. PATENT DOCUMENTS

5,803,789 A * 9/1998 Dean et al. 446/455

6,371,829 B1 *	4/2002	Kato et al.	446/456
D546,904 S *	7/2007	Bowen et al.	D21/566
7,291,054 B2 *	11/2007	Choi	446/454
D617,846 S *	6/2010	Matsumo et al.	D21/324
7,927,216 B2 *	4/2011	Ikeda et al.	463/38
D646,725 S *	10/2011	Utsumi et al.	D21/328
8,075,364 B2 *	12/2011	Wai et al.	446/75
8,187,098 B2 *	5/2012	Koontz, II	463/39
D672,397 S *	12/2012	Wai	D21/333

* cited by examiner

Primary Examiner — Prabhakar Deshmukh

(74) *Attorney, Agent, or Firm* — Cantor Colburn LLP

(57) **CLAIM**

The ornamental design for a remote controller for toy robot, as shown and described.

DESCRIPTION

FIG. 1 is a perspective view of a remote controller for toy robot showing my new design;
FIG. 2 is a front view thereof;
FIG. 3 is a rear view thereof;
FIG. 4 is a left side view thereof;
FIG. 5 is a right side view thereof;
FIG. 6 is a top plane view thereof; and,
FIG. 7 is a bottom plane view thereof.

1 Claim, 7 Drawing Sheets

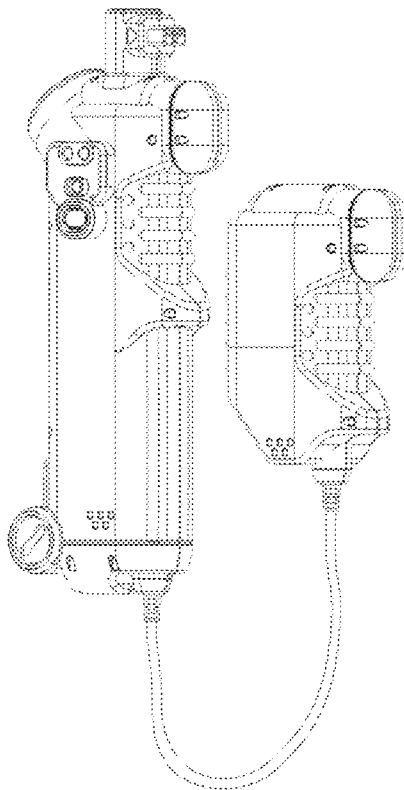


FIG. 1

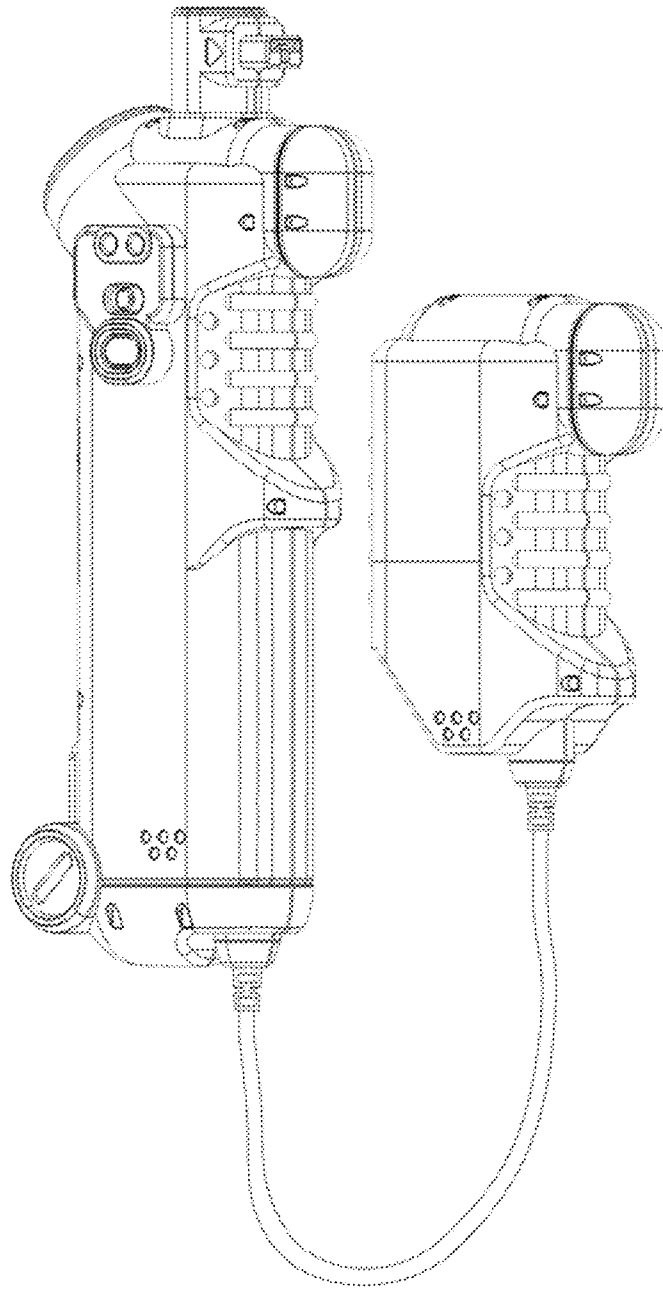


FIG. 2

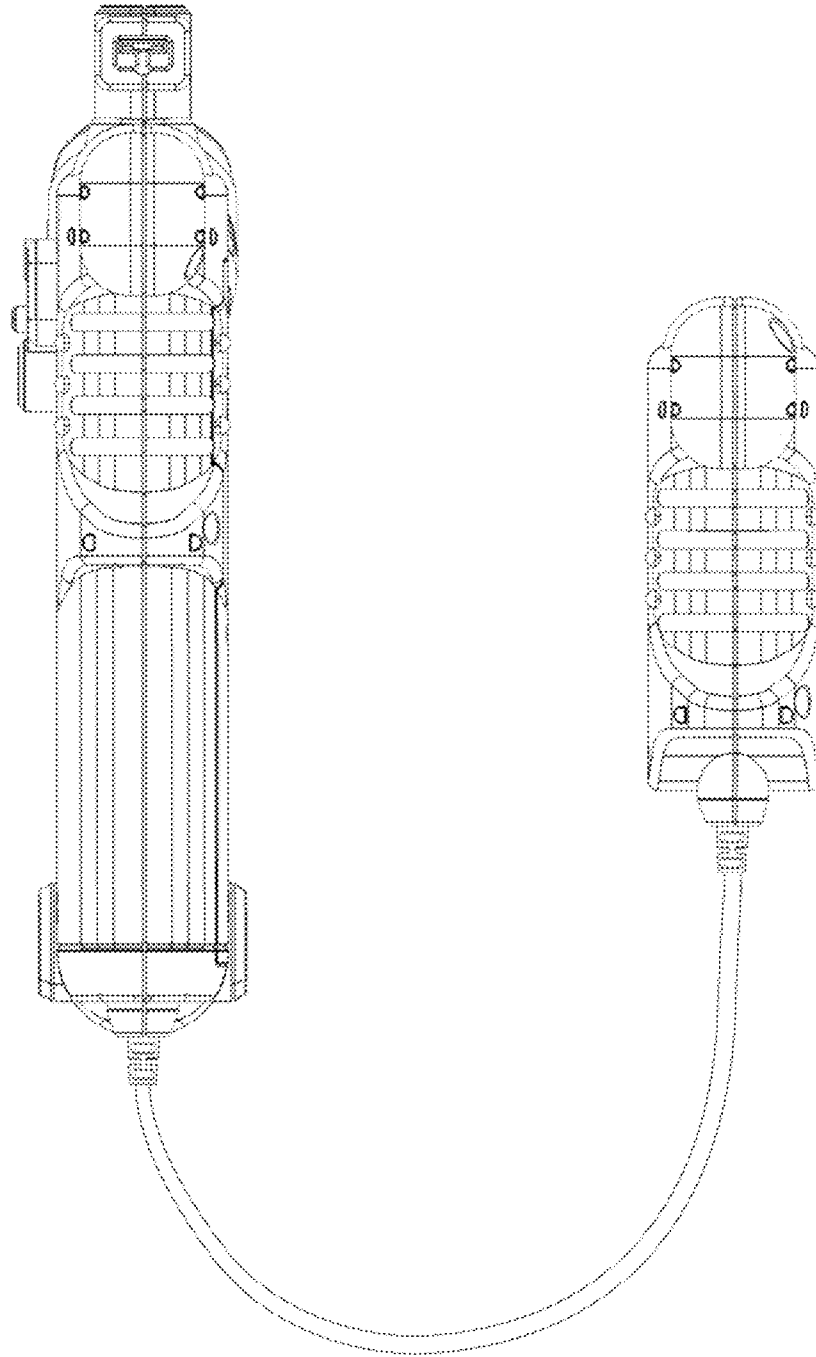


FIG. 3

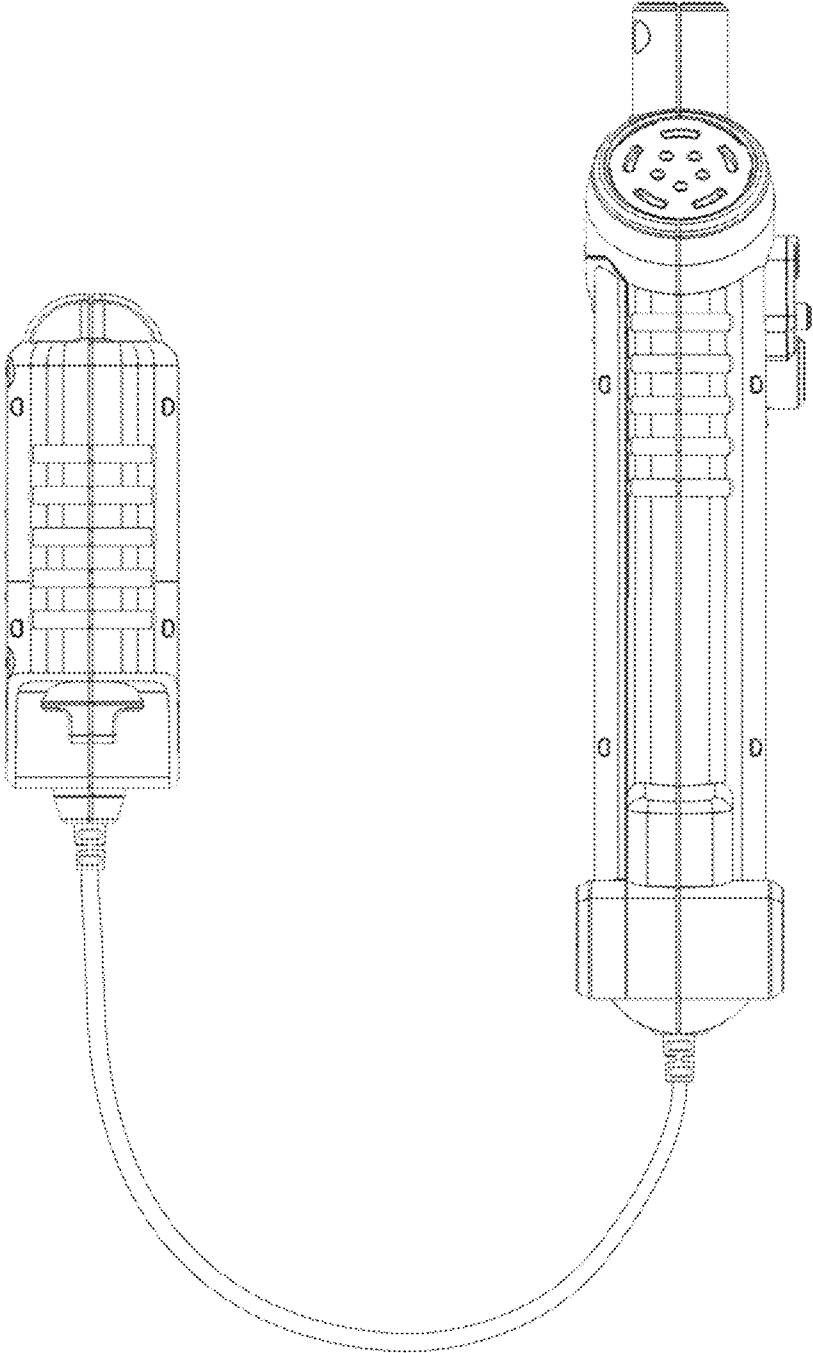


FIG. 4

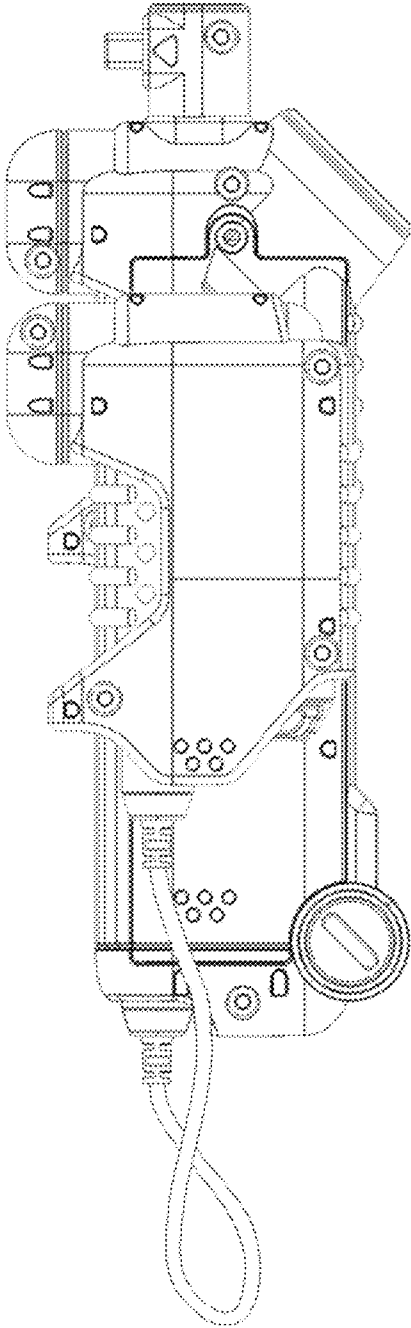


FIG. 5

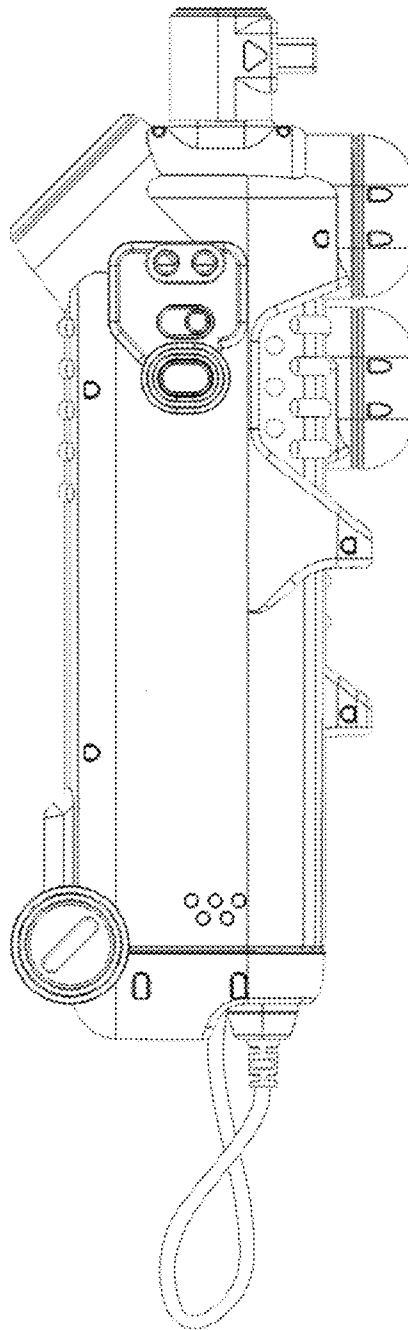


FIG. 6

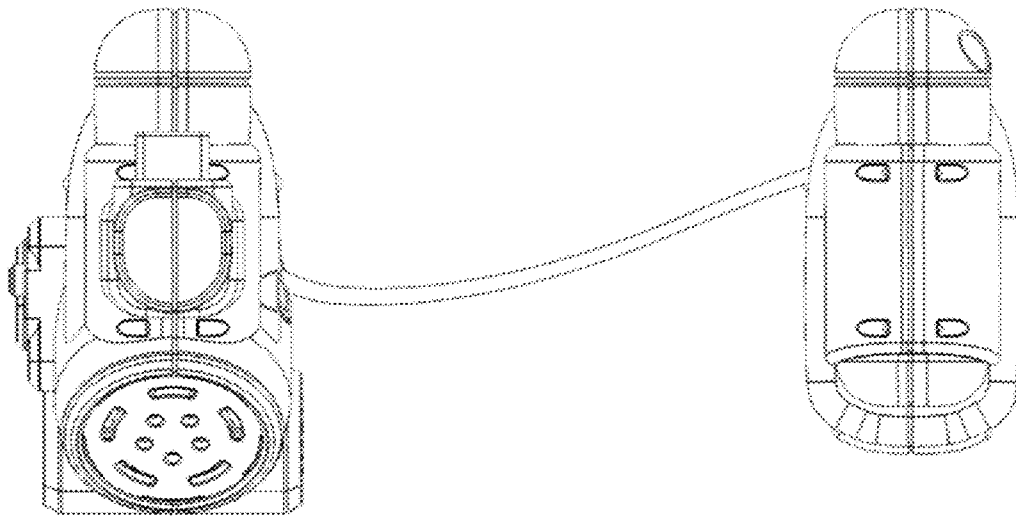


FIG. 7

