



US00D493618S1

(12) **United States Design Patent**
DeCarlo et al.

(10) **Patent No.:** **US D493,618 S**

(45) **Date of Patent:** **** Aug. 3, 2004**

(54) **COLLAPSIBLE STORAGE CONTAINER**

(75) Inventors: **Anthony J. DeCarlo**, Bay Village, OH (US); **Daniel V. Perella**, Hudson, OH (US); **Vincent J. Thomson**, Avon Lake, OH (US)

(73) Assignee: **Idea Stream Consumer Products LLC**, Parma, OH (US)

(**) Term: **14 Years**

(21) Appl. No.: **29/182,747**

(22) Filed: **May 30, 2003**

(51) **LOC (7) Cl.** **03-01**

(52) **U.S. Cl.** **D3/302; D9/433; D3/283**

(58) **Field of Search** **D3/272, 273, 283, D3/302; D9/432, 433; D19/90; 229/117.01, 117.02, 117.03, 117.04, 117.05, 117.07**

(56) **References Cited**

U.S. PATENT DOCUMENTS

3,303,986 A	*	2/1967	Tanaka	229/125.01
D315,098 S	*	3/1991	Hutcheson	D9/414
D323,294 S	*	1/1992	Williams	D9/432
D336,427 S	*	6/1993	Mainiero	D9/423
D339,062 S	*	9/1993	Williams	D9/432

D372,673 S	*	8/1996	Turner	D9/432
D414,335 S	*	9/1999	Cheyn	D3/276
D418,751 S	*	1/2000	Wolf	D9/432
D437,222 S	*	2/2001	Goldberg	D9/432
D457,313 S	*	5/2002	Clark et al.	D3/276

* cited by examiner

Primary Examiner—Philip S. Hyder

(74) *Attorney, Agent, or Firm*—Renner, Otto, Boisselle & Sklar LLP

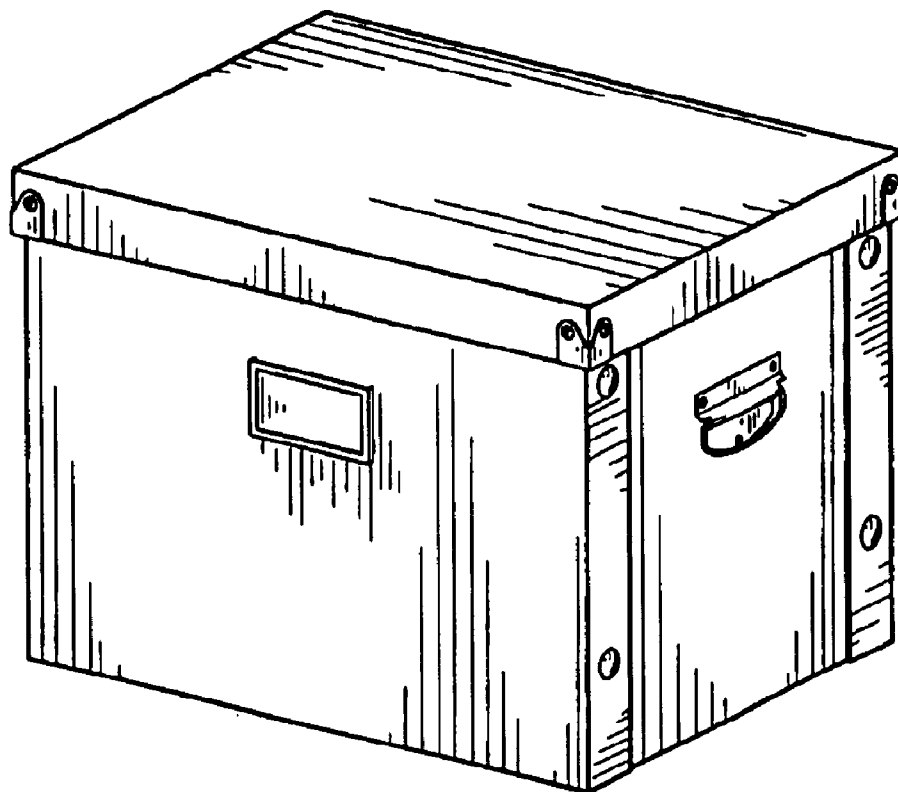
(57) **CLAIM**

The ornamental design for a collapsible storage container, as shown and described.

DESCRIPTION

FIG. 1 is a perspective view of a collapsible storage container in an assemble state showing our new design;
 FIG. 2 is a front elevation view thereof;
 FIG. 3 is a left side elevation view thereof, wherein the right side elevation view is a mirror image of the left side elevation.
 FIG. 4 is a bottom plan view thereof;
 FIG. 5 is a top plan view thereof;
 FIG. 6 is an exploded view thereof; and,
 FIG. 7 is a perspective view of the collapsible storage container in a collapsed state.

1 Claim, 2 Drawing Sheets



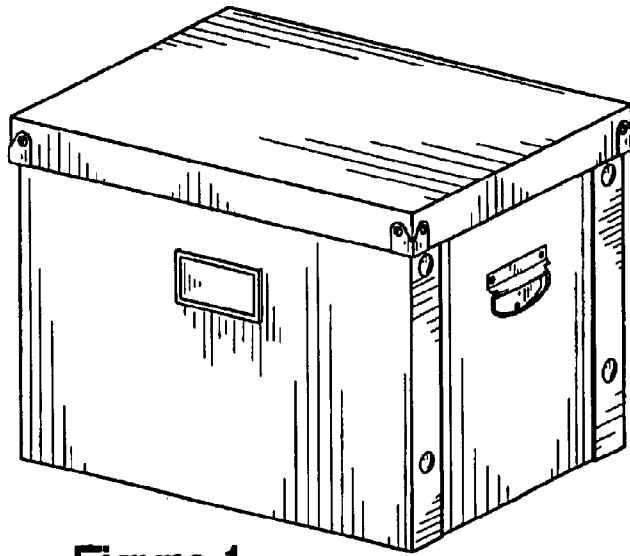


Figure 1

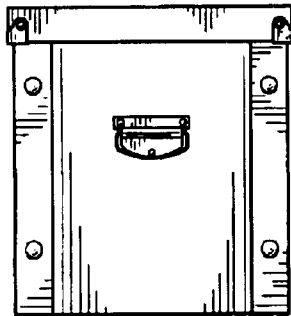


Figure 2

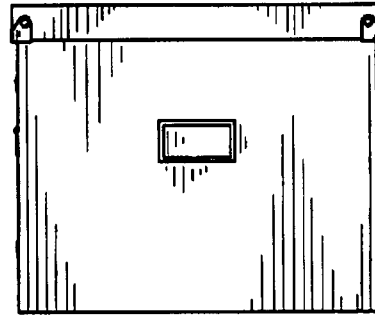


Figure 3

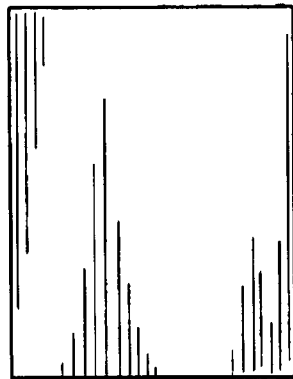


Figure 4



Figure 5

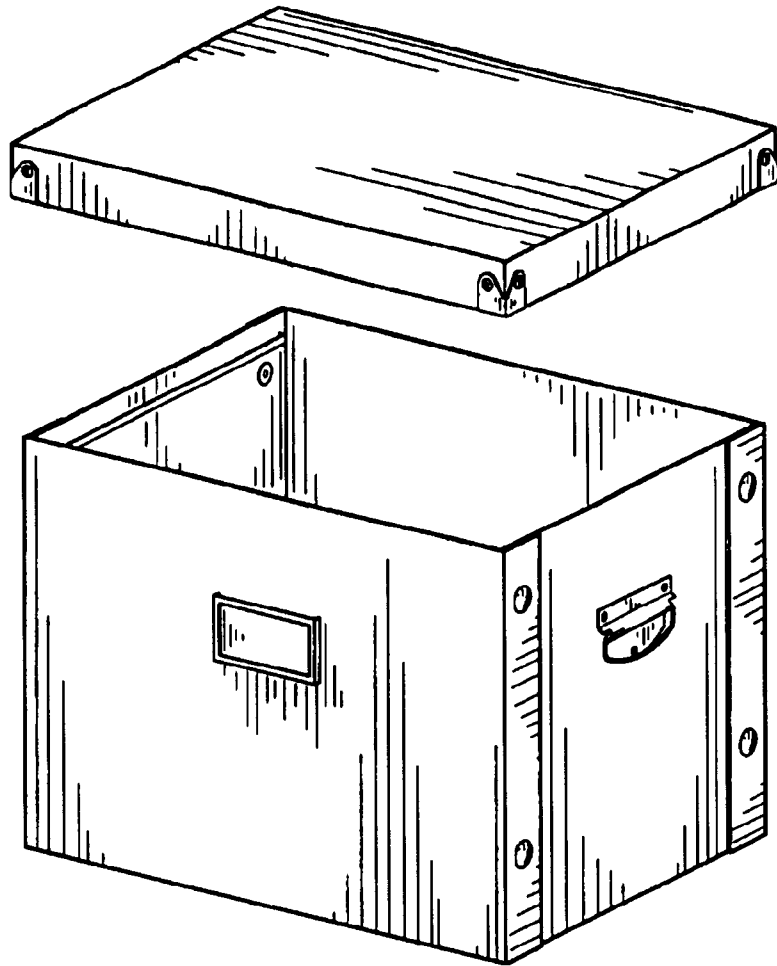


Figure 6

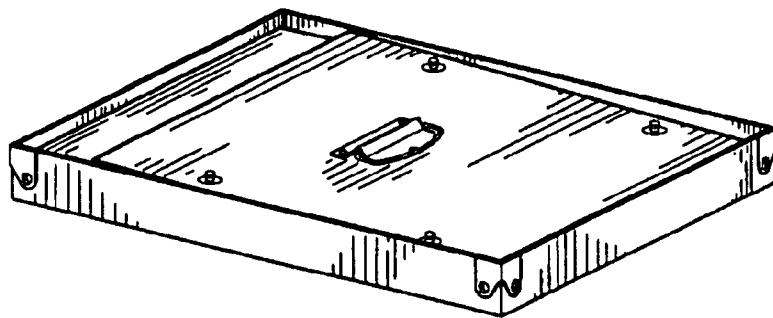


Figure 7