



US0D1069280S

(12) **United States Design Patent**
Chen

(10) **Patent No.:** **US D1,069,280 S**

(45) **Date of Patent:** **** Apr. 1, 2025**

- (54) **CAT LITTER BOX**
- (71) Applicant: **Changxiang Chen**, Zhejiang (CN)
- (72) Inventor: **Changxiang Chen**, Zhejiang (CN)
- (**) Term: **15 Years**
- (21) Appl. No.: **29/974,849**
- (22) Filed: **Nov. 25, 2024**

EM	015076713-0001	* 10/2024
GB	6369290	* 6/2024
JP	D1785494	* 11/2024

OTHER PUBLICATIONS

The 11 Best Automatic Litter Boxes of 2024, Tested and Reviewed, posted Dec. 1, 2024 [retrieved online Dec. 27, 2024]. Retrieved from internet, <https://www.thesprucepets.com/best-automatic-litter-boxes-4684419> (Year: 2024).*

(Continued)

Primary Examiner — Justin M Jonaitis
Assistant Examiner — Samantha K Pollack

- (51) **LOC (15) Cl.** **30-11**
- (52) **U.S. Cl.**
USPC **D30/161**
- (58) **Field of Classification Search**
USPC D30/161, 162, 199, 108, 171, 119, 118
CPC A01K 1/0107; A01K 1/011; A01K 1/0114;
A01K 1/0121
See application file for complete search history.

(57) **CLAIM**

The ornamental design for a cat litter box, as shown and described.

(56) **References Cited**

U.S. PATENT DOCUMENTS

D496,501 S *	9/2004	Walter	D30/161
D651,772 S *	1/2012	Weber	D30/161
D728,172 S *	4/2015	Matsuo	D30/161
D753,886 S *	4/2016	Veness	D30/161
D808,597 S *	1/2018	Veness	D30/161
D898,304 S	10/2020	Tu		
D993,552 S	7/2023	Bai		
D1,007,081 S	12/2023	Wang		
D1,013,980 S *	2/2024	Zhang	D30/161
D1,025,513 S	4/2024	Zhang		
D1,027,337 S	5/2024	Lian et al.		
D1,037,579 S	7/2024	Chen		
D1,039,226 S	8/2024	Pan et al.		
D1,048,599 S	10/2024	Chen		

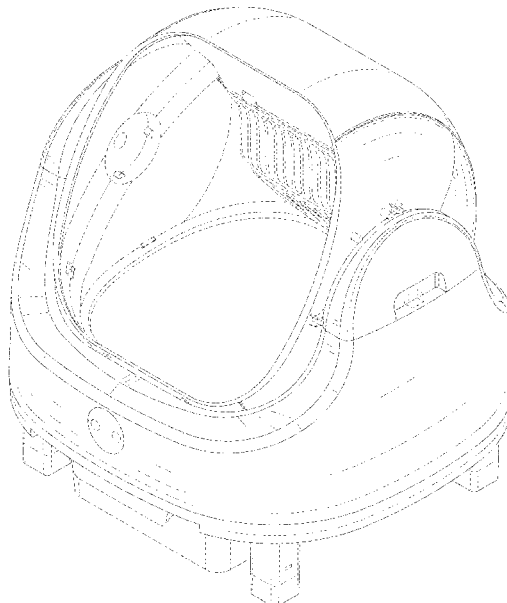
FOREIGN PATENT DOCUMENTS

CN	308931842	* 11/2024
CN	308992075	* 12/2024

DESCRIPTION

FIG. 1 is a front, right and top perspective view of a cat litter box showing my new design;
 FIG. 2 is rear, left and bottom perspective view thereof;
 FIG. 3 is a front view thereof;
 FIG. 4 is a rear view thereof;
 FIG. 5 is a left side view thereof;
 FIG. 6 is a right side view thereof;
 FIG. 7 is a top view thereof;
 FIG. 8 is a bottom view thereof; and,
 FIG. 9 is a rear, left and bottom perspective view of the cat litter box, showing the four support legs in their fully folded position.
 The broken lines depict portions of the cat litter box that form no part of the claimed design.

1 Claim, 9 Drawing Sheets



(56)

References Cited

OTHER PUBLICATIONS

Automatic Self Cleaning Cat Toilet Box With Open Top, posted date unavailable [retrieved online Dec. 27, 2024]. Retrieved from internet, <https://www.dhgate.com/product/self-cleaning-box-open-top-for-multiple-cats/1024769264.html?skuId=130497378636558805> (Year: 2024).*

Amazon.com: Self Cleaning Litter Box, ZHMZ G1 Automatic, posted Nov. 29, 2024 [retrieved online Dec. 27, 2024]. Retrieved from internet, <https://www.amazon.com/dp/B0DP9HJP9X> (Year: 2024).*

Amazon.com: Neakasa M1 Open-Top Self Cleaning Cat Litter Box, posted Jan. 17, 2024 [retrieved online Dec. 27, 2024]. Retrieved from internet, <https://www.amazon.com/dp/B0CSKBWBF6> (Year: 2024).*

* cited by examiner

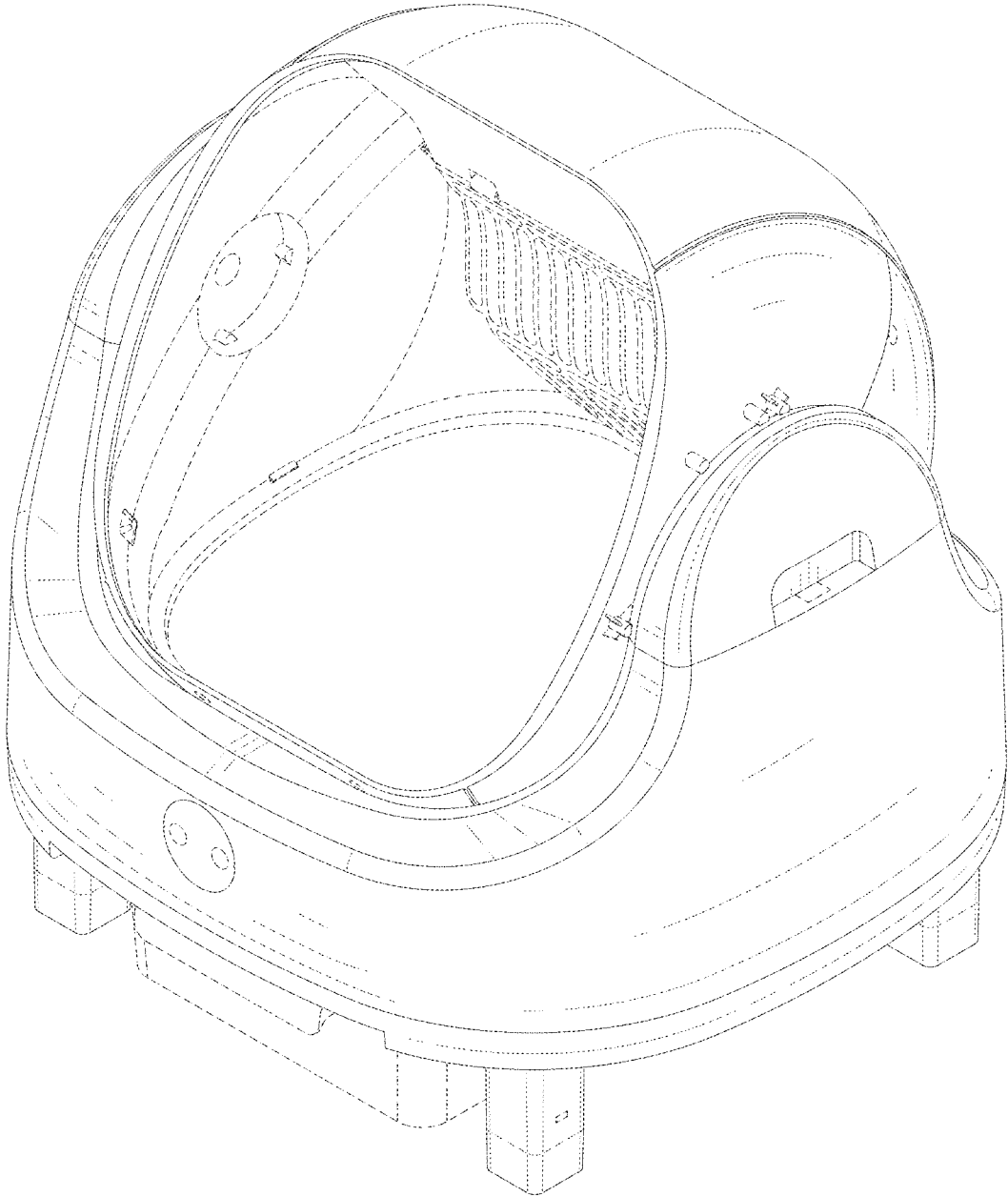


FIG.1

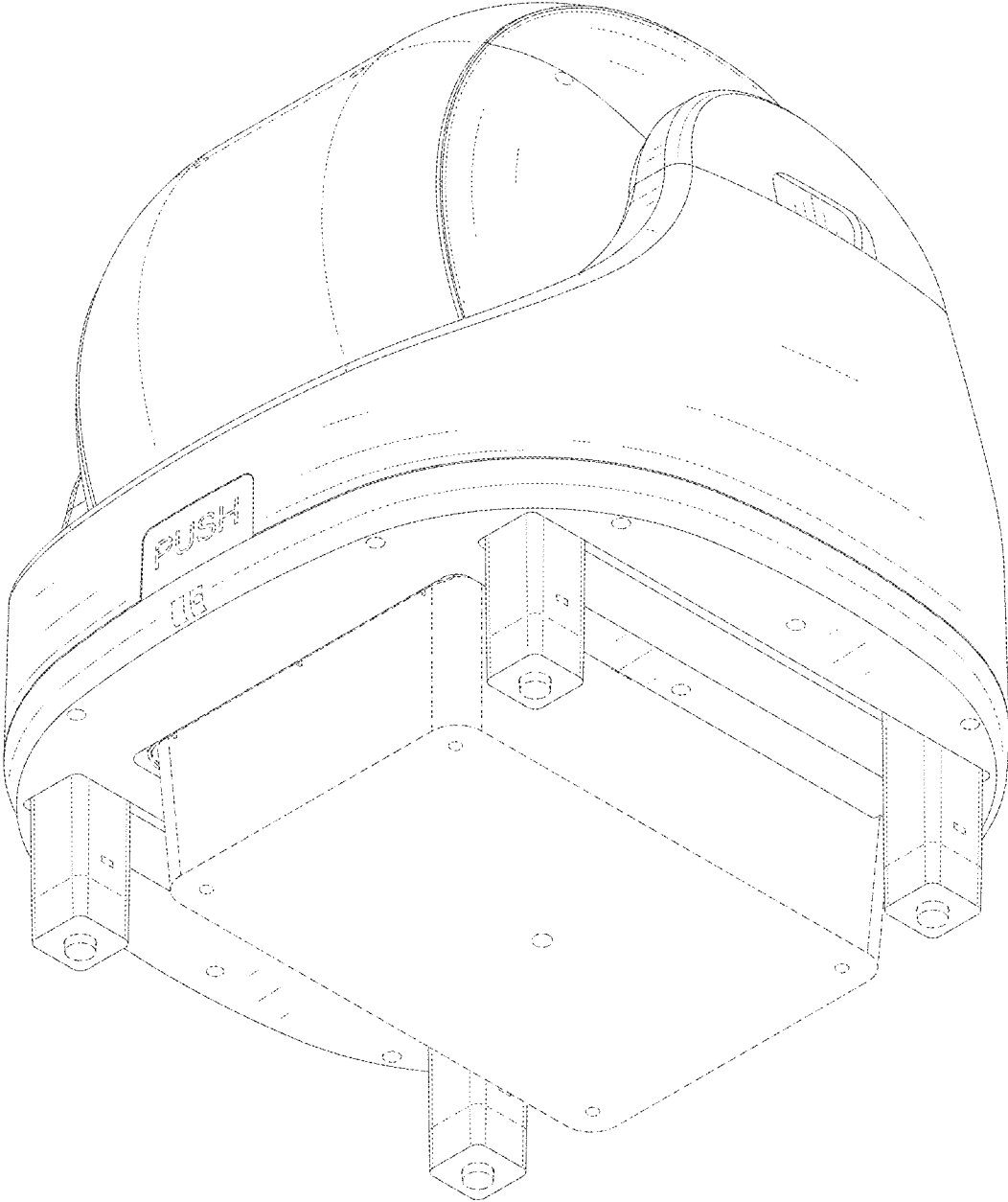


FIG.2

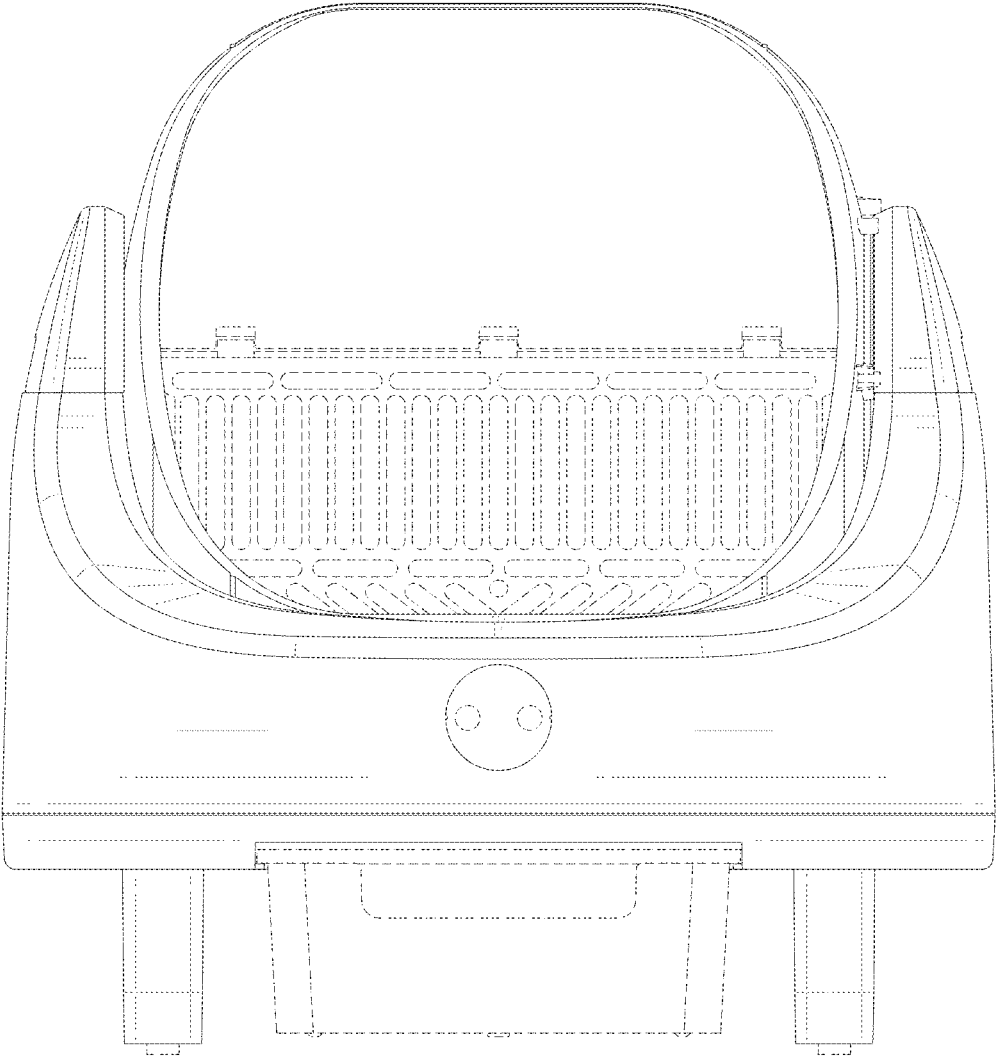


FIG.3

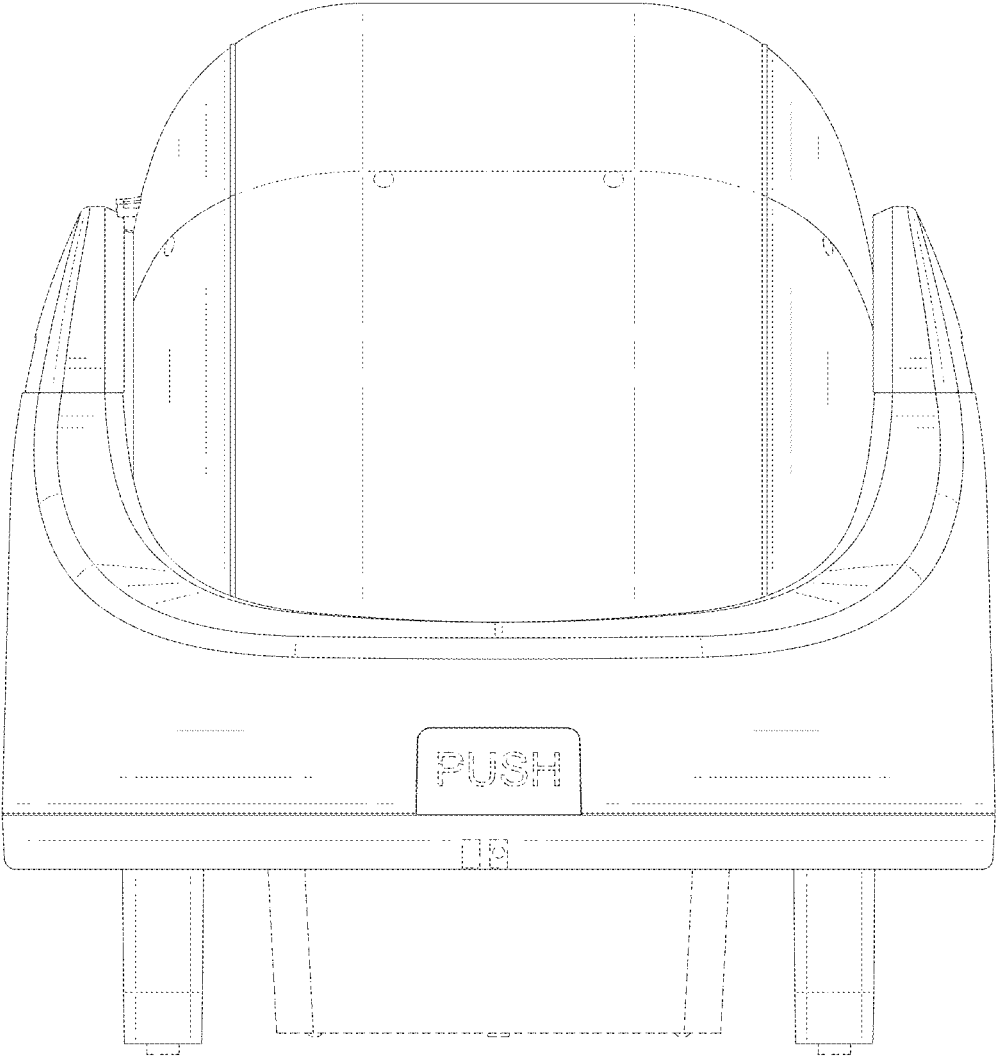


FIG.4

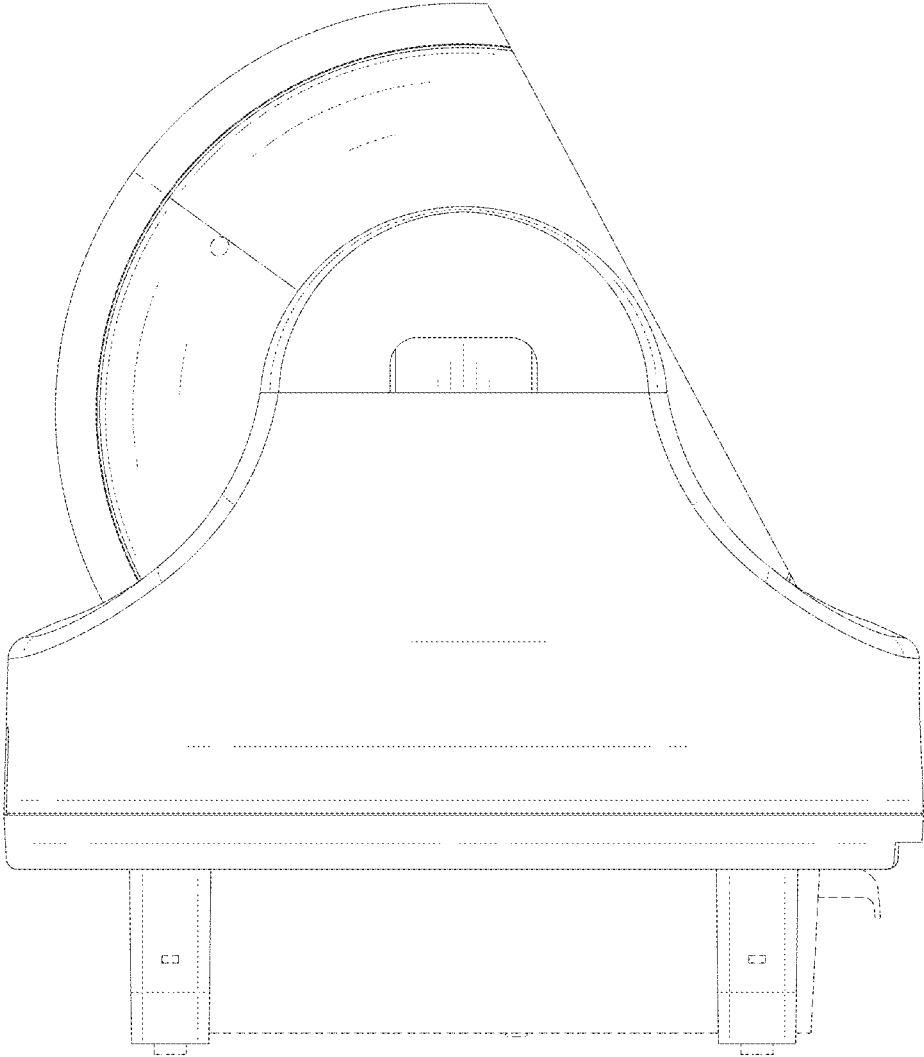


FIG.5

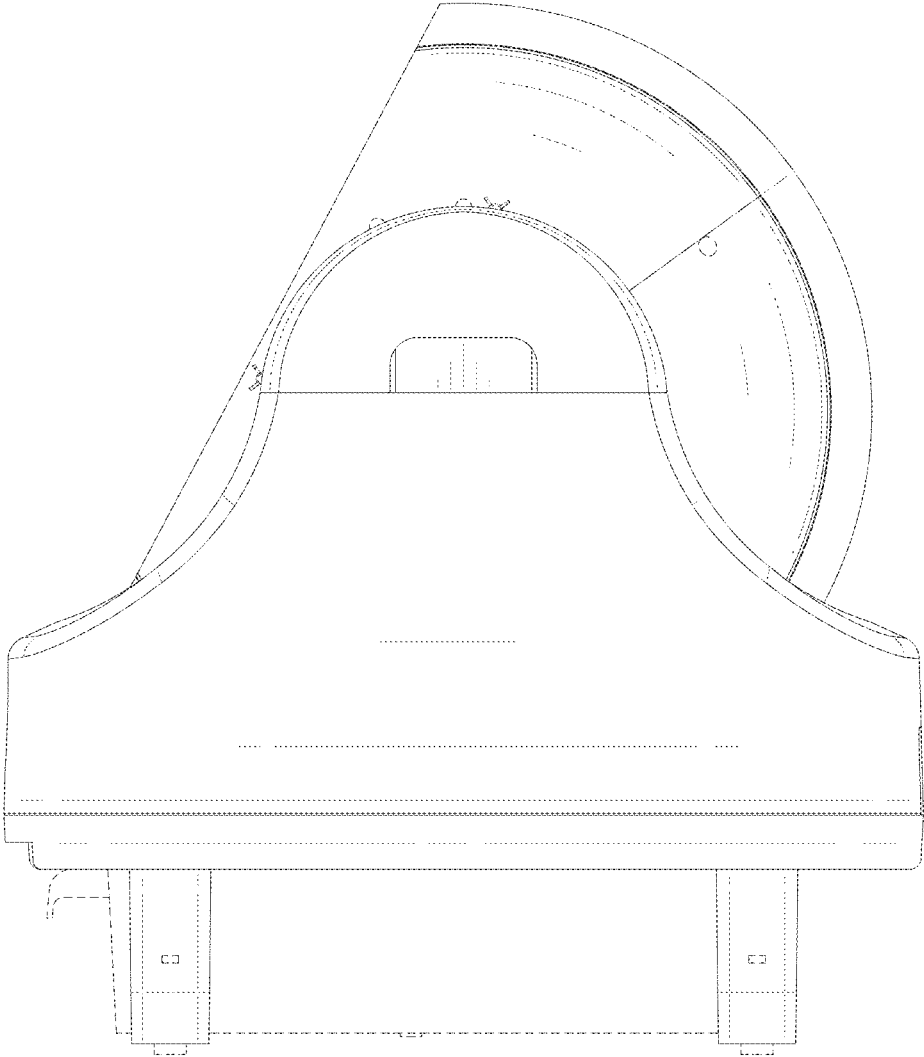


FIG.6

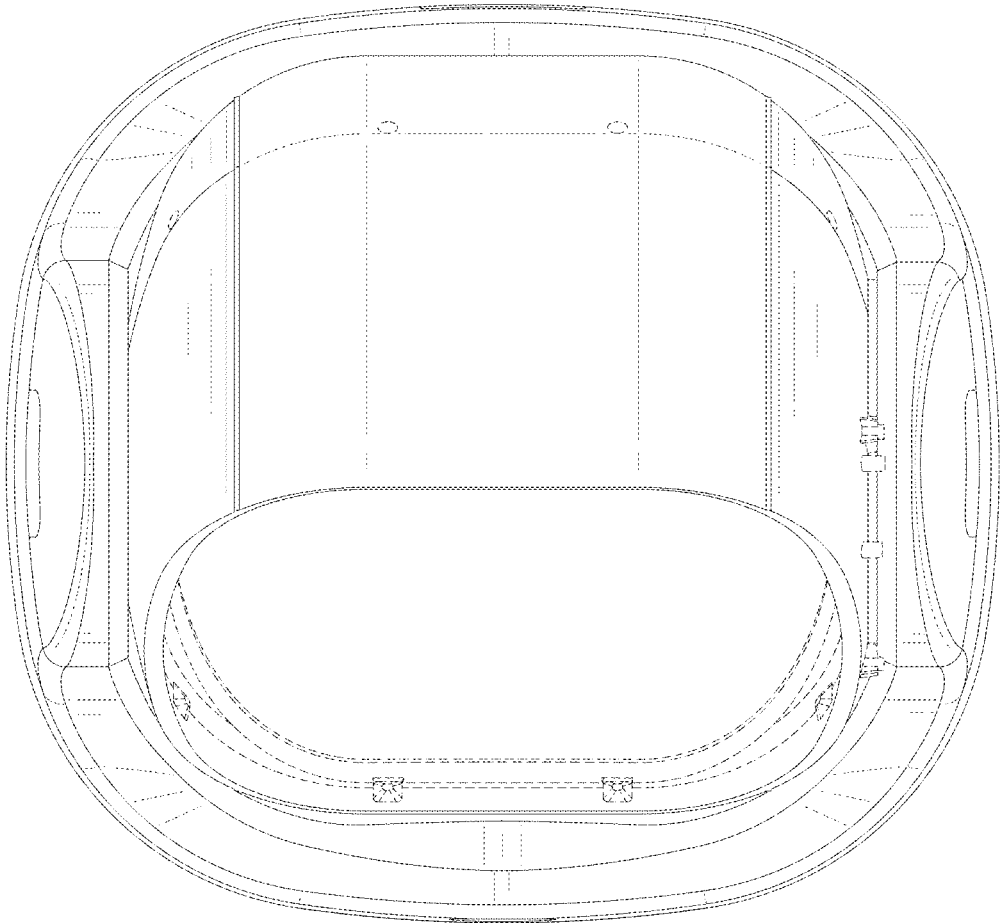


FIG.7

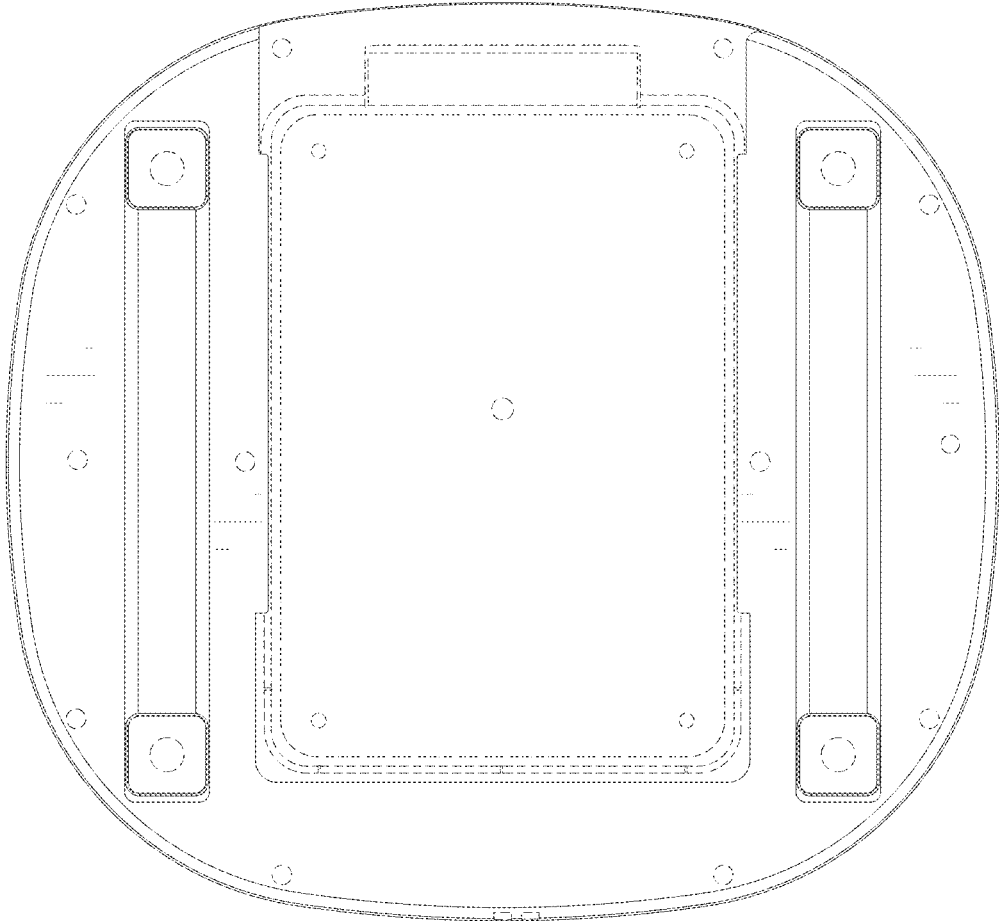


FIG.8

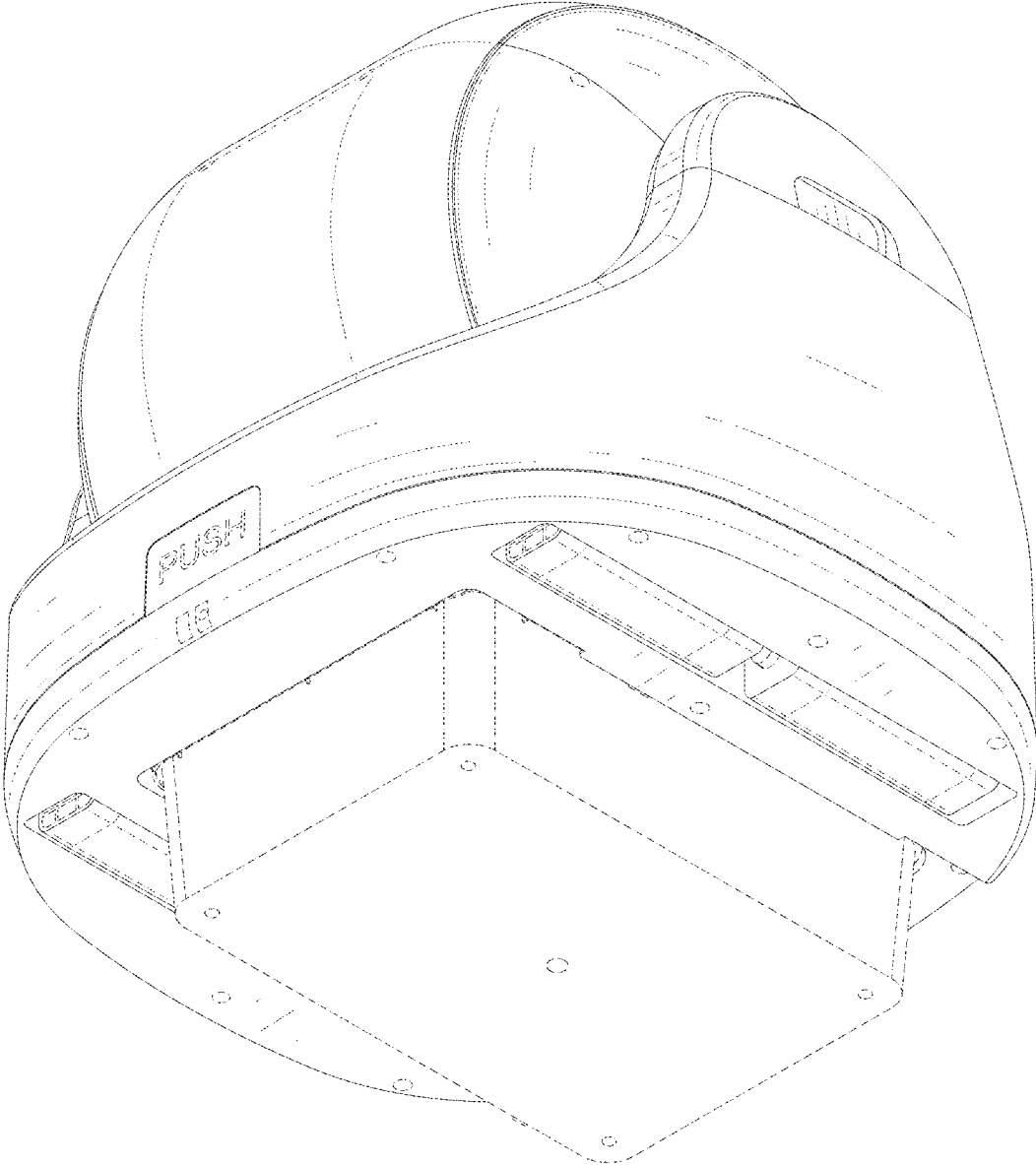


FIG.9