



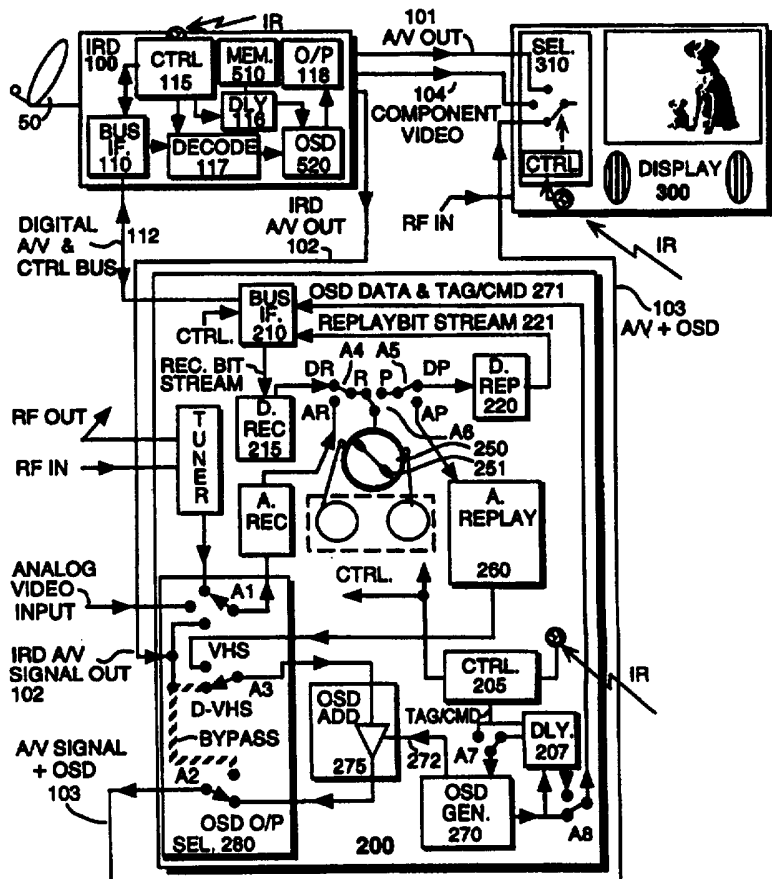
INTERNATIONAL APPLICATION PUBLISHED UNDER THE PATENT COOPERATION TREATY (PCT)

<p>(51) International Patent Classification ⁶ : H04N 9/87</p>	<p>A1</p>	<p>(11) International Publication Number: WO 97/10682 (43) International Publication Date: 20 March 1997 (20.03.97)</p>
<p>(21) International Application Number: PCT/US96/14733 (22) International Filing Date: 13 September 1996 (13.09.96) (30) Priority Data: 60/003,834 15 September 1995 (15.09.95) US 9603332.9 14 February 1996 (14.02.96) GB (71) Applicant (for all designated States except US): THOMSON CONSUMER ELECTRONICS, INC. [US/US]; 10330 North Meridian Street, Indianapolis, IN 46290-1024 (US). (72) Inventors; and (75) Inventors/Applicants (for US only): BLATTER, Harold [US/US]; 2220 Brewster Road, Indianapolis, IN 46260 (US). KVINTUS, Michael, Francis, Jr. [US/US]; 4234 South Willow Brook, Terre Haute, IN 47802 (US). McLANE, Michael, Joseph [US/US]; 720 Sherwood Drive, Indianapolis, IN 46240 (US). (74) Agents: TRIPOLI, Joseph, S. et al.; GE & RCA Licensing Management Operation Inc., CN 5312, Princeton, NJ 08540 (US).</p>		<p>(81) Designated States: AL, AM, AT, AU, AZ, BA, BB, BG, BR, BY, CA, CH, CN, CU, CZ, DE, DK, EE, ES, FI, GB, GE, HU, IL, IS, JP, KE, KG, KP, KR, KZ, LC, LK, LR, LS, LT, LU, LV, MD, MG, MK, MN, MW, MX, NO, NZ, PL, PT, RO, RU, SD, SE, SG, SI, SK, TJ, TM, TR, TT, UA, UG, US, UZ, VN, ARIPO patent (KE, LS, MW, SD, SZ, UG), Eurasian patent (AM, AZ, BY, KG, KZ, MD, RU, TJ, TM), European patent (AT, BE, CH, DE, DK, ES, FI, FR, GB, GR, IE, IT, LU, MC, NL, PT, SE), OAPI patent (BF, BJ, CF, CG, CI, CM, GA, GN, ML, MR, NE, SN, TD, TG).</p> <p>Published With international search report. Before the expiration of the time limit for amending the claims and to be republished in the event of the receipt of amendments.</p>

(54) Title: UPGRADABLE ON-SCREEN DISPLAY

(57) Abstract

The absence of MPEG processing in a consumer digital recorder player may preclude on-screen message display of recorder status. Various methods are disclosed which facilitate the on-screen display of recorder player status messages. A first embodiment returns a reproduced decoded, analog video signal (102) to the digital recorder player (200) for insertion of status messages. In a further embodiment recorder message data (221) is coupled to the digital signal decoder (100, 117, 520) for inclusion with the decoded analog video signal (102). In another embodiment a recorder message command (TAG/CMD) is coupled to the decoder (100, 510) to access recorder specific graphical messages. In yet a further embodiment, recorder message data (221) is tagged and coupled to the decoder (100, 510) to select recorder specific graphical messages if available or to display recorder (200) message data. In yet another embodiment, digital or analog operating mode determines recorder message display position and timing.



FOR THE PURPOSES OF INFORMATION ONLY

Codes used to identify States party to the PCT on the front pages of pamphlets publishing international applications under the PCT.

AM	Armenia	GB	United Kingdom	MW	Malawi
AT	Austria	GE	Georgia	MX	Mexico
AU	Australia	GN	Guinea	NE	Niger
BB	Barbados	GR	Greece	NL	Netherlands
BE	Belgium	HU	Hungary	NO	Norway
BF	Burkina Faso	IE	Ireland	NZ	New Zealand
BG	Bulgaria	IT	Italy	PL	Poland
BJ	Benin	JP	Japan	PT	Portugal
BR	Brazil	KE	Kenya	RO	Romania
BY	Belarus	KG	Kyrgystan	RU	Russian Federation
CA	Canada	KP	Democratic People's Republic of Korea	SD	Sudan
CF	Central African Republic	KR	Republic of Korea	SE	Sweden
CG	Congo	KZ	Kazakhstan	SG	Singapore
CH	Switzerland	LI	Liechtenstein	SI	Slovenia
CI	Côte d'Ivoire	LK	Sri Lanka	SK	Slovakia
CM	Cameroon	LR	Liberia	SN	Senegal
CN	China	LT	Lithuania	SZ	Swaziland
CS	Czechoslovakia	LU	Luxembourg	TD	Chad
CZ	Czech Republic	LV	Latvia	TG	Togo
DE	Germany	MC	Monaco	TJ	Tajikistan
DK	Denmark	MD	Republic of Moldova	TT	Trinidad and Tobago
EE	Estonia	MG	Madagascar	UA	Ukraine
ES	Spain	ML	Mali	UG	Uganda
FI	Finland	MN	Mongolia	US	United States of America
FR	France	MR	Mauritania	UZ	Uzbekistan
GA	Gabon			VN	Viet Nam

UPGRADABLE ON-SCREEN DISPLAY

This invention relates to the field of digital video recording and in particular to coupling between various equipment components.

5

BACKGROUND OF THE INVENTION

A digital video signal may be processed to form a bit stream having a reduced bit rate. Such processing for bit rate reduction may be implemented according to an MPEG compression method, and may be formatted, for example, with an M P E G
10 compatible structure, such as that employed in a digital satellite system, for example DSS™ or the proposed Grand Alliance or GA terrestrial system.

A consumer video recorder may be adapted to provide recording capabilities for both analog signals and digitally encoded
15 signals processed for example, for compatibility with an MPEG standard and having GA or DSS™ signal formats. The adapted consumer video recorder may be considered as two electronic systems within one box, sharing a recording mechanism, servo and control systems. A conventional analog recording method may be
20 employed where an analog luminance signal component frequency modulates an RF carrier and an analog chrominance signal component amplitude modulates a second RF carrier. When reproduced, the two modulated signals are demodulated, combined and coupled out for video display.

25 During both record and replay operating modes, on-screen display messages may indicate operational status, warning conditions, tape duration, record time, time code etc., of the video recorder. These on-screen display messages or OSDs may be added to the analog video output signal to provide the user with recorder
30 status information.

Digital recording may be achieved by using the consumer video recorder as a digital bit stream recorder/reproducer. The MPEG compatible bit stream, for example
35 transport packets, may be recorded by reformatting the transport packets to facilitate recording and reproduction. For example, the transport packets may be buffered and error detection and correction data words computed and added. The bit stream with error correction added may be formatted into recording data blocks

or sync blocks containing a predetermined number of bytes which may be accommodated in each recorded track. The sync block signal may be coded to render the signal more suitable for digital recording, for example, to remove any DC component, or provide
5 spectral shaping of the recorded signal, such modulation may be produced by "code book" type encoding. In a playback mode the recording processes are effectively reversed, for example, the "code book" encoding is decoded, errors are detected and corrected and the sync block formatting is removed restoring the bit stream to
10 the original MPEG like format.

To minimize the additional cost increment of digital recording and reproduction, MPEG decoding and encoding is not included in the recorder. Thus the recorder must process the MPEG like packet stream without changes or additions. Hence the
15 recorder provides a program delay or time shifting facility. However, recorder status and warnings and tape timer displays, which during analog operation are added to the analog output signal, may be absent during digital operating modes. Hence, recorder status, etc. may only be ascertained by observation of the
20 recorder control panel.

System interconnection and control between a digital signal source, recorder and monitor display may be simplified by the use of a bi-directional data bus. However, any interconnection additional to that of an analog system may present the user with
25 incomprehensible installation complexity and confusion. A simple interconnection method is required which may provide coupling between a digital signal source and display regardless of a recorder's operational status. The simple interconnection method must facilitate both analog and digital recorder operation by
30 utilizing the same interconnection system. In addition, recorder status and warning messages are required for user display during both analog and digital recorder operating modes.

SUMMARY OF THE INVENTION

Recorder status, warnings and tape timer displays which, for
35 reasons described above are absent during digital operating modes are advantageously provided by the following inventive arrangements. A digital television receiver comprises a coupling means adapted for coupling to a replay source and receiving

- 3 -

therefrom a compressed digital television signal and a control command and decoding the compressed digital television signal to form a video signal. A generating means is coupled to the receiving means for generating a display message for combining with said
5 video signal responsive to display message data. A memory contains the display message data. A control means is coupled to the memory and the generating means for reading the display message data, responsive to the control command.

A digital recording and replay apparatus is adapted for
10 use with a decoder with on-screen message generator and inserter. The digital recording and replay apparatus comprises a transducer for reproducing a video representative digital signal from a recorded medium. Replay electronics are coupled to the transducer for processing the video representative digital signal to produce an
15 output signal bit stream for decoding. A status message command signal is generated responsive to an operating mode of the digital recording and replay apparatus. The status message command signal is coupled for on-screen message generation and insertion in a video signal decoded from the output signal bit stream.

A digital television receiver comprises a means adapted
20 for coupling to a replay source and receiving therefrom a compressed digital television signal, source display message data signal and label data signal. A decoding means is coupled to the receiving means for decoding a video signal from the compressed
25 digital television signal. A memory stores display message data. A generating means is coupled to the memory and receives therefrom message data for generating a video message for addition to the video signal. A control means is coupled to the memory for selecting specific display message data responsive to the label data
30 signal, and absent the specific display message data, the control means couples the source display message data signal to the video message generating means.

BRIEF DESCRIPTION OF THE DRAWING

FIGURE 1 depicts in block diagram form packetized
35 signal sources coupled for decoding and display.

FIGURE 2 shows an exemplary block diagram including various inventive embodiments.

FIGURE 3 is an exemplary block diagram showing a simplified switch including various inventive embodiments.

DETAILED DESCRIPTION

5 A simplified consumer digital audio video system is illustrated in FIGURE 1. Sources of packetized, compressed audio video and control data are shown coupled for decoding and display. A receiver, IRD 100 is depicted coupled to a receiving antenna 50, however, a modulated signal may be provided from a cable distribution network (not shown). The modulated packetized signal is tuned, demodulated and a user determined program is separated within the block indicated as PACKET SOURCE 109. An output of PACKET SOURCE 109 comprises a transport packet stream of audio video and control data which is MPEG decoded to produce audio and video signals by DECODER 117. The output from DECODER 117 is coupled for monitoring by display 300. Other sources of packetized signals are shown coupled with a dotted line as alternative data streams for MPEG decoding by decoder 117. Thus DECODER 117 may be utilized to decode transport streams from external packet sources thereby reducing the cost of these other sources. For example, PACKET SOURCE 75 may represent a computer forming a packetized output signal. Such a signal may be derived from a computer memory, or may originate from an external source such as a computer network. Such a computer source may reproduce compressed audio video and control data from disk memory. In addition, PACKET SOURCE 75 may represent a digital video disk player such as, for example, a DVD format device. A further source of transport packets may be provided by a magnetic tape player recorder, PACKET SOURCE 200, which may have a format in accordance with, for example, D-VHS or DVC standards.

30 A simplified consumer digital video receiver, recorder and display system is illustrated in the exemplary block diagram of FIGURE 2. The system employs a digital video signal source, for example an integrated receiver decoder or IRD 100, an audio video monitor display device 300 and a digital video cassette recorder 35 200, for example employing a D-VHS or DVC format. In the illustrated system, a digital video representative signal is modulated on an RF carrier and received by an antenna 50. Antenna 50 is coupled to an integrated receiver decoder IRD 100.

- 5 -

However, a modulated carrier may be delivered to receiver 100 by a cable distribution system (not shown). The integrated receiver decoder 100 is tuned to the RF carrier frequency and demodulates therefrom an MPEG compatible transport data stream modulation.

5 The transport data stream may be decoded to produce analog audio and video signals for immediate monitoring by audio video display 300. The decoded output signals are represented by signals 101 and 104, which are coupled between receiver, IRD 100 and display 300. Cost considerations may dictate that digital
10 recorder 200 does not include MPEG encoding and decoding. Hence digital recorder 200 functions as a bit stream recorder / player, to provide time shifting or program delay capability. The omission of MPEG processing and the degree of complexity required to facilitate non-standard speed replay capability, precludes image
15 reproduction in SHUTTLE, SLOW MOTION or TRICK-PLAY modes. Thus in summary, receiver 100 couples an MPEG compatible packet stream to digital A/V bus 112 for recording by recorder 200. Similarly a reproduced packet stream from recorder 200 is coupled back to the receiver for MPEG decoding, and audio / video
20 generation. An additional consequence of omitting MPEG processing from the recorder is that status messages, in the form of on-screen display messages or OSDs, cannot be combined or added to the replay packetized bit stream. Thus the operational status of the recorder is not readily obvious to the user.

25 In addition, since recorder image data is only available during RECORD, PLAY and STOP modes, the user may be uncertain as to the responsiveness of the recorder following control commands. For example, transitioning from PLAY to REWIND may result in the replay image switching for example, to the input bit
30 stream, a condition known as electronics to electronics or E to E, or for example, the replay image may disappear and be replaced by frozen frame derived by the IRD, or perhaps the moving image may be substituted by a colored field. Thus the user may not readily associate these visual display effects as indicia of recorder mode
35 responsiveness.

The system illustrated in FIGURE 2, shows a first inventive interconnection arrangement where a demodulated transport bit stream is coupled from receiver IRD 100 to recorder

200 via a bi-directional data bus 112. The transport packet stream is coupled to the data bus via an interface port 110 and is received at recorder 200 by means of interface port 210. The interface ports are controlled via a control data stream which is carried on a
5 separate conductor included with data bus 112. Control signals may be derived from user input by activation of control switches (not shown), or by user generated IR remote control commands. For example, a user may chose to monitor a digital audio video signal received by dish antenna 50. The receiver may be selected
10 by touch or via a remote control, for example IR. Receiver selection may result in the automatic monitoring the display selection, i.e. the display is automatically switched to monitor the MPEG decoded audio video outputs. The user may select a digital RECORD mode which results in coupling the received transport stream from IRD
15 100 via bus 112 to the recorder and initiating recording. Similarly selection of a digital recorder PLAY mode results in a replayed data stream being coupled via bus 112 for decoding by decoder 117 of receiver 100.

The MPEG compatible, packetized signal is coupled to
20 recorder 200 and processed for recording by block D. REC. 210. A buffer memory is included in block D. REC. 210, and buffers the data stream to establish a signal more suited for recording than the packetized signal comprising bursts of data with variable duration gaps. The buffered data stream is read from the buffer to form
25 record format sync blocks which may be encoded with error detection / correction data words. The sync block formatted data stream may be modulated for recording as described, and coupled from recording block D. REC. 210 via a selector switch A4. Selector switches A4 and A5 are controlled responsive to the selected D-VCR
30 operating mode. For example, in FIGURE 2 switches A4 and A5 are shown for digital recording and reproduction, with switch contacts DR, digital record and DP digital playback coupling data streams to and from a rotating head assembly 250. For analog operation, switches A4 and A5 assume the alternate position as indicated by
35 AR, analog record and AP analog playback. The sync block formatted data stream from D. REC. 210 is coupled to rotating head assembly 250 for recording on a magnetic tape.

-7-

In a PLAY mode the recorded sync block formatted data stream is reproduced from the magnetic tape by heads positioned on assembly 250. The recovered signal is demodulated by digital replay block D. Rep. 220, to remove any recording channel modulation. The replay signal is then subject to error detection and correction by means of the data words inserted prior to recording. Following error correction, the sync block formatting is removed and the bit stream restored to have substantially the same the packet format as that coupled to the recorder for recording. The packet stream from block D. Rep. 220 is coupled to interface port 210 which, responsive to the recorder PLAY mode couples the packet stream to the bi-directional data bus 112 for MPEG decoding by decoder 117.

Integrated receiver decoder 100 decodes the MPEG compatible packet stream and generates both video and audio output signals. For example, FIGURE 2 illustrates video and audio output signals 101 and 102 and a component video signal 104, for example S-Video. However, these digitally reproduced video signals are without recorder status information usually provided by means of an on-screen display or OSD.

Receiver IRD 100, shown in simplified form in FIGURE 2, comprises a controller, CTRL. 115, which provides overall control of the receiver, for example tuning, packet header control demultiplexing, bus interface control and selection of packet source for coupling to MPEG decoder 117. In addition the receiver status, or operational mode, may be indicated by means of an on-screen display message added to the decoded video signals. Controller 115 may construct an on-screen display message or may read a predetermined stored message from memory block MEM. 510. The on-screen display message or OSD is coupled to an OSD inserter or adder, block 520 where the message is formatted for analog video display and added or combined with the MPEG decoded video signal. The video with OSD signal is coupled out via output amplifier 118 for display by monitor display 300.

In FIGURE 2 recorder player 200 includes an on-screen display generator, OSD. GEN. 270, coupled to a control system CTRL. 205. In response to signals from the recorder control system 205, OSD generator 270 generates status or warning messages

- 8 -

appropriate to the operation condition. These messages are formatted as video signals for insertion or inclusion with an analog video signal in block, OSD. ADD 275. Analog video signals are coupled to the on-screen display adder 275 from a video selector
5 block SEL. 280.

Selector 280 is controlled by control system 205 and provides selection capability between various analog signal sources. For example, switch A1 provides analog input signal selection between a tuner derived signal, a baseband analog signal input and
10 an MPEG decoded audio video output signal 102. The output from switch A1 is coupled for analog recording by block A. REC.

Selector switch A3 of SEL 280 advantageously provides selection of signal coupling to on-screen display adder 275. In FIGURE 2 switch A3 is shown providing an inventive coupling of the
15 video component of output signal 102 to the input of on-screen display adder 275. Thus, recorder player 200 status messages generated, for example during playback, may be added to video signal component 102 decoded from the output transport packet stream. Thus the digitally derived MPEG decoded replay signal
20 with on-screen messages added, signal 103, may be viewed by display 300.

During analog operation of recorder player 200, switch A3 couples an analog replay signal, shown as signal VHS, to on-screen display adder 275. Thus during analog operation OSD
25 messages are added to the analog replay video signal. When digital recording is selected, OSD messages may be advantageously added to the analog video signal 102 decoded from the reproduced bit stream. Thus, by means of this advantageous feedback connection recorder status messages are combined with the video component
30 and output as analog signal 103.

Switch A2 of selector SEL. 280 advantageously provides a connection which bypasses on-screen display adder 275 and allows output signal 102 to be coupled directly to monitor display
35 300. Thus the bypass action of switch A2 allows viewing of decoded output signals and removes the possibility of signal degradation due to adder 275. The bypass path A2 may be automatically selected when the recorder is OFF, in a STAND BY mode, or when viewing a decoded, non-recorded "live" bit stream.

To permit viewing of decoded non-recorded signals during analog recording, the bypass switch may be manually activated. The advantageous bypass connection obviates unnecessary analog recorder signal processing, for example via the E/E recorder path which inherently degrades the digitally derived signal 102. In addition the advantageous bypass function may be facilitated, for example by mechanical contact, such that switch A2 allows receiver IRD 100 to be connected to monitor display 300 without regard to the operational status of recorder 200.

10 On-screen display generator 270 generates messages formatted with specific horizontal and vertical synchronizing timing such that when inserted into the video signal the message is displayed at a predetermined position on the display screen. However, when operating in the digital replay mode and employing
15 the advantageous feedback connection discussed above, OSD messages may be advantageously generated with horizontal and vertical synchronizing timing which is different from that employed during analog recorder operation. This different horizontal and vertical synchronizing timing advantageously compensates for
20 replay signal propagation and MPEG decoding delays encountered, for example, in receiver 100. Thus, the use of different OSD synchronizing timing advantageously achieves substantially the same predetermined message position in either analog or digital recorder operation.

25 Processing and MPEG decoding time delays may amount to periods of multiple frames. A multiple frame delay, or temporal offset, will result in an OSD message preceding an actual reproduced visual event. This temporal offset, where the recorder OSD message precedes a reproduced event, may be revealed as a consequence of
30 a user control command and the delayed appearance of the corresponding reproduced image effect. The temporal offset may represent a more significant problem when displaying a recorded time code signal or the recorder tape timer. For example, during tape replay specific events may be noted from an on-screen display
35 of the recorder tape timer or an OSD of a recorded time code signal. The noted times allow for subsequent location of the selected events. However, should the noted times be used as edit points for electronic editing performed between recorders, the resultant

- 10 -

edited scenes will precede those selected during previewing. The effect of the temporal offset between the message and the replay image may be advantageously eliminated by a delaying, message generation, message communication, OSD presentation or by
5 modifying the tape timer / time code numbers or count. In recorder 200 a delay, depicted as DLY. 207, may be selected by switches A7 or A8. For example, when decoded video signal 102 is fed back for recorder OSD message insertion at block 275, an OSD message command may be generated responsive to controller 205.
10 The message command signal CMD, from controller 205 is illustrated coupled to switch A7 and delay DLY 207. Switch A7 is controlled responsive to the recording mode selected for recorder 200, i.e. analog or digital. Switch A7 is shown in the digital mode, and selects a delayed version of signal CMD from delay 207. The
15 delayed command signal results in the generation and insertion of an OSD message which is substantially coincident with decoded video signal. An alternative arrangement employs switch A8 which may insert delay 207 into the output from the OSD generator 270. In this arrangement switch A7 is connected to the output of
20 controller 205. Switch A8 may also be employed to delay coupling of signal CMD to bus 112 and IRD 100. The temporal offset between the OSD message and the decoded replay image may also be corrected in receiver 100 by the introduction of a delay, for example as depicted by DLY. 116, into either the memory accessing
25 signal or the memory output signal. Synchronization of replay image and OSD may be achieved by various methods, for example, by means of a delay using a clocked data latch, shift register, monostable multivibrator, etc. A tape timer or time code OSD may be synchronized with the decoded image, for example during edit
30 mode preview by arithmetic manipulation of the display numerals. Thus the selected image and associated display numerals may be entered to enable an electronic edit to be performed. During analog operation of recorder 200 the command signal CMD, from controller 205 is not delayed and switch A7 couples directly to generator 270.
35 In another inventive embodiment, on-screen display messages originated by recorder 200, may advantageously utilize the on-screen display capability of receiver 100. Recorder derived messages may be coupled via the control conductor of data bus 112

- 11 -

to receiver 100 for on-screen display insertion at block OSD 520 of FIGURE 2. The recorder message data may be formatted as a text message by generator 270, to which a tag or label is appended. The tagged text message shown as signal 271 is coupled to controller 5 115 of IRD 100 for separation from other control bus data. Following separation the text message is coupled for display formatting and video insertion by OSD 520. The text message is generated responsive to OSD command signal CMD from controller 205. As described earlier, signal CMD may be subject to delay at 10 block 207. However, the text message from block 270 may be delayed at an alternative point by switch A7 insertion of delay 207.

In a further inventive embodiment, receiver 100 includes a memory 510 which contains receiver on-screen display messages and OSD messages specific to recorder 200. Recorder 15 specific messages may be accessed responsive to recorder on-screen display command signal, CMD, which may be coupled via the control bus to controller 115. In recorder 200 the on-screen display command signal CMD, is generated by controller 205 which in addition determines the message to be generated. Thus command 20 signal CMD, may be advantageously coupled to receiver 100 to enable accessing and display formatting of recorder specific graphical messages stored in a memory 510.

In yet another inventive arrangement receiver 100 may adaptively select between the recorder text message or a receiver 25 graphical message responsive to a recorder command. The selection between the recorder text or IRD graphical message display permits the interconnection of recorders and receivers of differing ages having different features and facilities. For example, an older receiver may be connected to a recently manufactured recorder 30 thus, the receiver memory may not contain preprogrammed graphical messages to support recorder on-screen message presentation. Thus the receiver may display the simple text message generated by the recorder. Conversely, a more modern receiver may be preprogrammed with selections of graphical 35 messages for a variety of products of various manufactured ages and these various graphical messages may be displayed in place of the recorder text message. Selection between simple text or graphical message is facilitated by the tag or label which is

- 12 -

appended to the text message. For example, the tag or label may contain the command signal CMD which selects, and enables the required recorder specific message. In addition the label may provide sufficient data capacity to communicate recorder profile information relating to, for example, the date of recorder manufacture, model, version or revision level and serial number. When the text message with tag or label is received by controller 115, the tag or label is interpreted which results in the selection of a recorder specific graphical message from IRD memory 510. However, if the receiver memory is not preprogrammed with the specified recorder message or with a message specific to the recorder profile, the tag enables formatting and display of the appended simple text message. As described previously a delay element may be inserted to compensate for temporal and spatial displacement between the OSD message, text or graphical, and the replayed decoded image.

FIGURE 2 illustrates a monitor display 300 having three analog signal inputs; audio video signals 101 and 103, and an audio and component video signal 104, for example, S-video or luminance and coloring components Y, Pr, Pb. In addition, display 300 may receive audio and video signals via radio frequency signals, depicted as RF IN. A signal selector 310, couples as is known, to video and synchronizing processing circuitry, not shown, which in combination generate an image display. Signal selector 310, may be controlled by user activated switches located on display 300, or by user initiated remote control commands transmitted via a modulated IR control stream. The three baseband input signal illustrated may be advantageously selected by automated control of selector switch 310. For example, selection of digital recording or replay modes may automatically select an input signal containing recorder OSD status display information. The recorder status OSD may be generated and originate as previously described. In addition, the provision of multiple baseband signal inputs may allow function specific device interconnection. For example, the direct viewing of a decoded, non-recorded, signal from IRD 100 may be facilitated by use of, for example, output signal 101, or component video signal 103, with IRD output signal 102 routed for recorder OSD insertion to form A/V signal 103.

- 13 -

FIGURE 3 illustrates the use of a reduced cost display, for example, as depicted as display 301. To reduce the display cost the number of signal inputs may be limited to, for example, an RF input, a component video or S-video input and one audio video
5 signal input. The advantageous selection and bypass capability of selector 280 of FIGURE 2, permits display 301 to monitor recorded, and non-recorded material via a single A/V input. However, the display may advantageously utilize the component video signal connection to determine and control the display input selection in
10 addition to signal coupling. For example, since component video signals or S-VIDEO signals may be assumed to provide superior display image quality to that attainable from an NTSC encoded signal, the presence of such component signals coupled to a component signal input may automatically cause selection of the
15 component signal source. Thus when both component and composite signals are coupled to display 301 inputs 1 and 2 respectively, the input controller has logic which predetermines selection of the component signal as a preferred input. However, this automated input selection may prevent monitoring of signals
20 containing recorder specific on-screen display information coupled from recorder 200 of FIGURE 2. However, the automated, preferential input selection may be advantageously utilized to enable remotely controlled selection of the audio video signal, for example signal 103 at input 2. Signals containing on-screen display
25 information coupled via recorder 200 may be viewed on display 301 by an inventive control of component signal 104 by means of allowing or terminating output coupling signal 104 from IRD 100. For example, user selection of a non-recorded bit stream, i.e. received signal, will result in controller 115 of receiver 100
30 enabling generation or outputting of component signal 104, having for example, an S-VIDEO format. The selection of a recorded image signal for display will result in controller 115 terminating generation, or outputting of component signal 104. Thus controller 312 of monitor 301 is coupled to the component signal input
35 terminal to senses via signal 309 the absence of signal 104 and causes input selector 311 to switch from the component input signal 104, on input 1 to, for example, audio video signal 103, on input 2 coupled via selector 280 of recorder 200 in FIGURE 2.

- 14 -

CLAIMS

- 1 1. A digital recording and replay apparatus (200) adapted for
2 use with a decoder (117) with on-screen message generator and
3 inserter (520), said digital recording and replay apparatus
4 comprising:
5 a transducer (251) for reproducing a video
6 representative digital signal from a recorded medium;
7 replay electronics (220) coupled to said
8 transducer (251) for processing said video representative digital
9 signal to produce an output signal bit stream (221) for decoding;
10 a status message command signal generator
11 (205/270) responsive to an operating mode of said digital recording
12 and replay apparatus (200), generates a status message command
13 signal (TAG/CMD) for coupling for on-screen message generation
14 and insertion in a video signal (102) decoded from said output
15 signal bit stream (221).
- 1 2. The digital recording and replay apparatus (200) of claim
2 1, wherein said status message command signal
3 (TAG/CMD) indicates an apparatus specific message.
- 1 3. The digital recording and replay apparatus (200) of claim
2 1, wherein said status message command signal (TAG/CMD)
3 indicates apparatus specific data.
- 1 4. A digital television receiver (100), comprising:
2 means (110) adapted for coupling to a replay
3 source and receiving therefrom a compressed digital television
4 signal and a control command and decoding said compressed digital
5 television signal to form a video signal (102);
6 means (520) coupled to said receiving means
7 (110) for generating a display message responsive to display
8 message data for combining with said video signal (102);
9 a memory (510) containing said display message
10 data;
11 control means (115) coupled to said memory
12 (510) and said generating means (520) for reading said display
13 message data, responsive to said control command.

1 5. The digital television receiver (100) of claim 4, wherein
2 said memory (510) contains display message data specific to a
3 plurality of television signal sources.

1 6. The digital television receiver (100) of claim 4, wherein
2 said memory (510) contains display message data specific to said
3 digital television receiver (100) and a plurality of television signal
4 replay sources.

1 7. The digital television receiver (100) of claim 4, wherein
2 said memory (510) contains display message data specific to a
3 digital recording and replay apparatus.

1 8. The digital television receiver (100) of claim 5, wherein
2 said control means (115) selects a specific display message
3 responsive to said control command.

1 9. A digital television receiver (100), comprising:
2 means (110) adapted for coupling to a replay source
3 and receiving therefrom a compressed digital television signal,
4 source display message data signal and label data signal;
5 decoding means (117) coupled to said receiving means
6 (110) for decoding a video signal (102) from said compressed
7 digital television signal;
8 a memory (510) storing display message data;
9 means (520) coupled to said memory (510) and
10 receiving therefrom message data for generating a video message
11 for addition to said video signal (102); and,
12 control means (115) coupled to said memory (510) for
13 selecting specific display message data responsive to said label data
14 signal and absent said specific display message data, coupling said
15 source display message data signal to said video message
16 generating means (520).

1 10. The digital television receiver (100) of claim 9, wherein
2 said memory (510) contains display message data specific to said
3 digital television receiver (100) and a plurality of television signal
4 replay sources.

FIG. 1

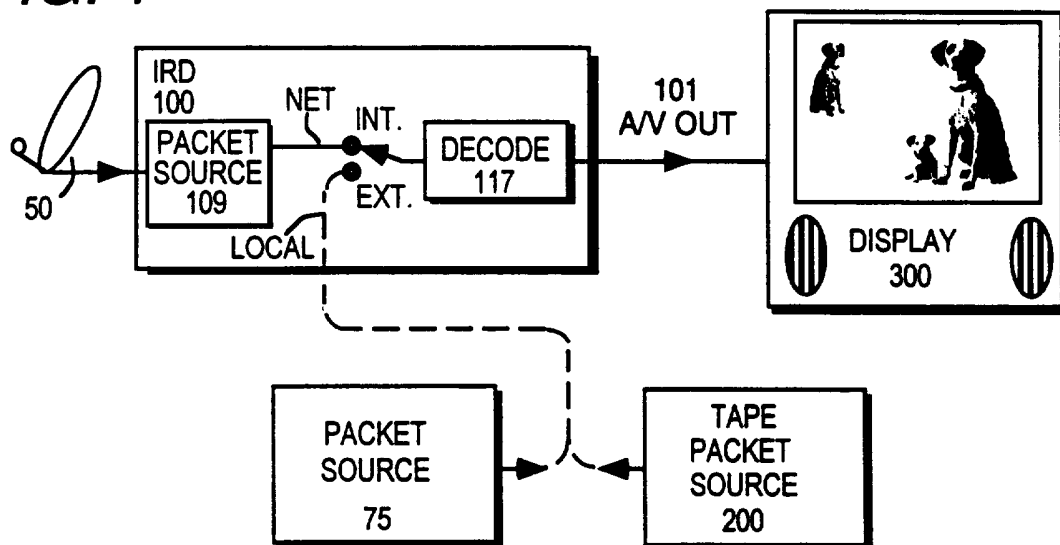


FIG. 3

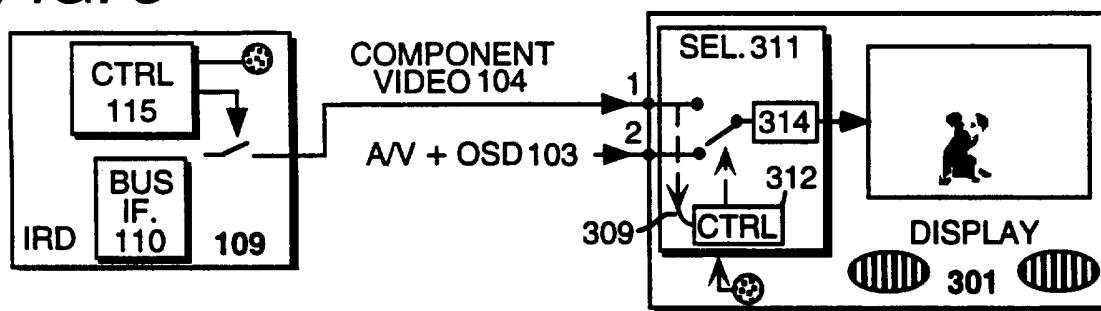
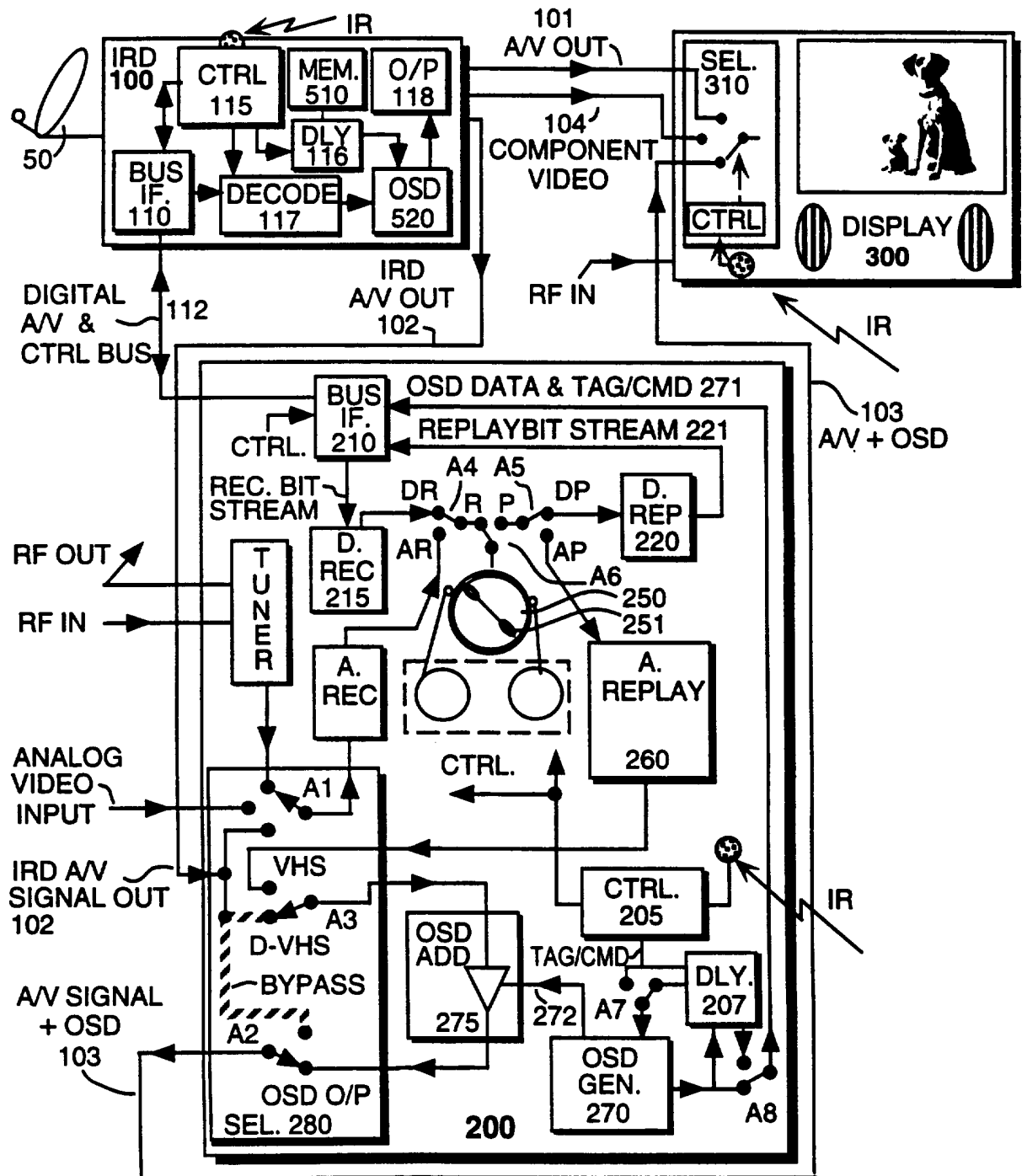


FIG. 2



INTERNATIONAL SEARCH REPORT

International Application No

PCT/US 96/14733

A. CLASSIFICATION OF SUBJECT MATTER
IPC 6 H04N9/87

According to International Patent Classification (IPC) or to both national classification and IPC

B. FIELDS SEARCHED

Minimum documentation searched (classification system followed by classification symbols)

IPC 6 H04N

Documentation searched other than minimum documentation to the extent that such documents are included in the fields searched

Electronic data base consulted during the international search (name of data base and, where practical, search terms used)

C. DOCUMENTS CONSIDERED TO BE RELEVANT

Category *	Citation of document, with indication, where appropriate, of the relevant passages	Relevant to claim No.
A	EP,A,0 220 007 (YAMAHA CORPORATION) 29 April 1987 see page 2, line 1 - line 48; figure 2 ---	1,4,9
A	EP,A,0 529 834 (PIONEER ELECTRONIC CORPORATION) 3 March 1993 see column 9, line 20 - column 11, line 39; figure 2 ---	1,4,9
A	US,A,5 097 348 (SUETAKA) 17 March 1992 see the whole document -----	1,4,9

 Further documents are listed in the continuation of box C. Patent family members are listed in annex.

* Special categories of cited documents :

- *A* document defining the general state of the art which is not considered to be of particular relevance
- *E* earlier document but published on or after the international filing date
- *L* document which may throw doubts on priority claim(s) or which is cited to establish the publication date of another citation or other special reason (as specified)
- *O* document referring to an oral disclosure, use, exhibition or other means
- *P* document published prior to the international filing date but later than the priority date claimed

- *T* later document published after the international filing date or priority date and not in conflict with the application but cited to understand the principle or theory underlying the invention
- *X* document of particular relevance; the claimed invention cannot be considered novel or cannot be considered to involve an inventive step when the document is taken alone
- *Y* document of particular relevance; the claimed invention cannot be considered to involve an inventive step when the document is combined with one or more other such documents, such combination being obvious to a person skilled in the art.
- *&* document member of the same patent family

Date of the actual completion of the international search

17 January 1997

Date of mailing of the international search report

- 3. 02. 97

Name and mailing address of the ISA

European Patent Office, P.B. 5818 Patentlaan 2
 NL - 2280 HV Rijswijk
 Tel. (+ 31-70) 340-2040, Tx. 31 651 epo nl,
 Fax (+ 31-70) 340-3016

Authorized officer

Verleye, J

INTERNATIONAL SEARCH REPORT

Information on patent family members

International Application No

PCT/US 96/14733

Patent document cited in search report	Publication date	Patent family member(s)	Publication date
EP-A-220007	29-04-87	JP-B- 6014692	23-02-94
		JP-A- 62082776	16-04-87
		JP-B- 7052963	05-06-95
		JP-A- 62082796	16-04-87
		JP-A- 62082773	16-04-87
		JP-C- 1800190	12-11-93
		JP-B- 5008910	03-02-93
		JP-A- 62082774	16-04-87
		DE-D- 3689439	03-02-94
		DE-T- 3689439	14-07-94
		US-A- 4947264	07-08-90
-----	-----	-----	-----
EP-A-529834	03-03-93	JP-A- 5046071	26-02-93
		JP-A- 5046072	26-02-93
-----	-----	-----	-----
US-A-5097348	17-03-92	JP-A- 1221070	04-09-89
-----	-----	-----	-----