



US00D694928S

(12) **United States Design Patent**
Chen

(10) **Patent No.:** **US D694,928 S**

(45) **Date of Patent:** **** Dec. 3, 2013**

(54) **ROUND LAMP**

(75) Inventor: **Cheng Chun Chen**, Tu Cheng Dist.
(TW)

(73) Assignee: **Juluen Enterprises Co., Ltd**, Xinbei
(TW)

(**) Term: **14 Years**

(21) Appl. No.: **29/413,232**

(22) Filed: **Feb. 13, 2012**

(51) **LOC (9) Cl.** **26-05**

(52) **U.S. Cl.**
USPC **D26/63**

(58) **Field of Classification Search**
USPC D26/1, 24, 60-66, 72, 85, 92, 113,
D26/118-119; 362/89, 217.01, 220, 217.02,
362/217.1, 217.14, 217.16, 257, 268-269,
362/275, 277, 282, 285, 310, 362, 368, 370,
362/382, 404, 418, 425, 427, 432, 433, 457,
362/804

See application file for complete search history.

(56) **References Cited**

U.S. PATENT DOCUMENTS

D120,741 S *	5/1940	Naylor	D26/65
D235,222 S *	5/1975	Larson	D26/65
D242,945 S *	1/1977	Moore	D26/65
D359,574 S *	6/1995	Bornhorst et al.	D26/65
D486,259 S *	2/2004	Crawford et al.	D26/51
D490,172 S	5/2004	Yamamoto		
D552,782 S *	10/2007	Korpi	D26/63
D554,279 S	10/2007	Jeffries		
D564,683 S	3/2008	Roach et al.		
D570,009 S	5/2008	Kani et al.		
D572,856 S *	7/2008	Kehl et al.	D26/61
D574,978 S	8/2008	Hyodo et al.		

D605,789 S	12/2009	Ko		
D606,690 S *	12/2009	Orron et al.	D26/61
D618,377 S *	6/2010	Toft	D26/93
D620,187 S *	7/2010	Quadri	D26/63
D639,983 S *	6/2011	Quadri	D26/61
D667,582 S *	9/2012	Toft	D26/63
D676,162 S	2/2013	Adams		

* cited by examiner

Primary Examiner — Brian N Vinson

(74) *Attorney, Agent, or Firm* — King & Schickli, PLLC

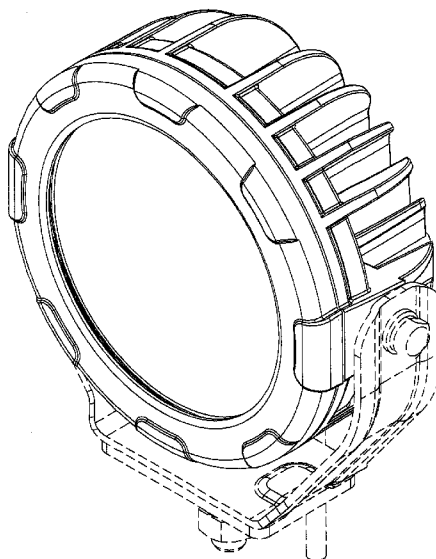
(57) **CLAIM**

The ornamental design of a round lamp, as shown and described.

DESCRIPTION

FIG. 1 is a perspective view of a round lamp;
 FIG. 2 is the perspective view of the round lamp with a mounting bracket;
 FIG. 3 is a front view of the round lamp with the mounting bracket;
 FIG. 4 is a rear view of the round lamp with the mounting bracket;
 FIG. 5 is a side view of the round lamp;
 FIG. 6 is the side view of the round lamp with the mounting bracket.
 FIG. 7 is an opposite side view of the round lamp with the mounting bracket;
 FIG. 8 is a top view of the round lamp with the mounting bracket;
 FIG. 9 is a bottom view of the round lamp; and,
 FIG. 10 is the bottom view of the round lamp with the mounting bracket.
 The broken line showing of the mounting bracket is for the purpose of illustrating environmental structure for the round lamp and forms no part of the claimed design.

1 Claim, 10 Drawing Sheets



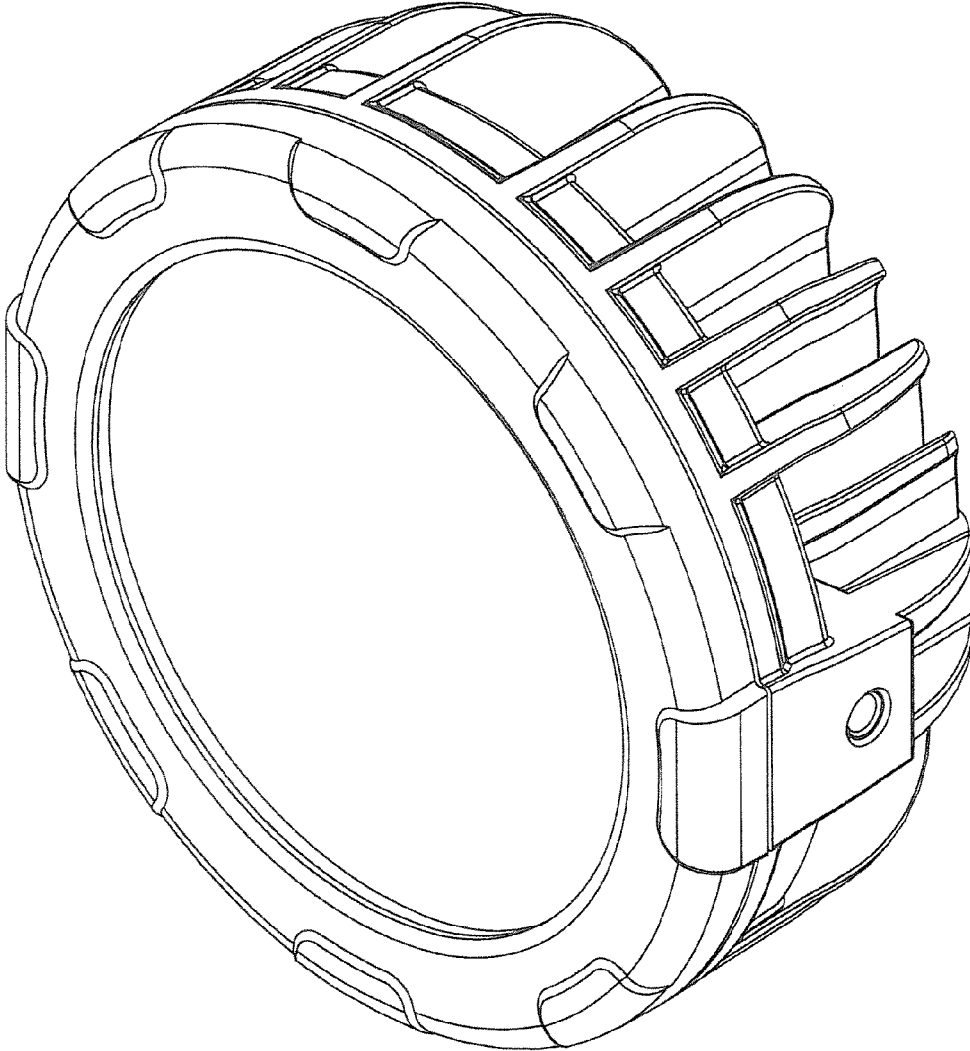


Fig. 1

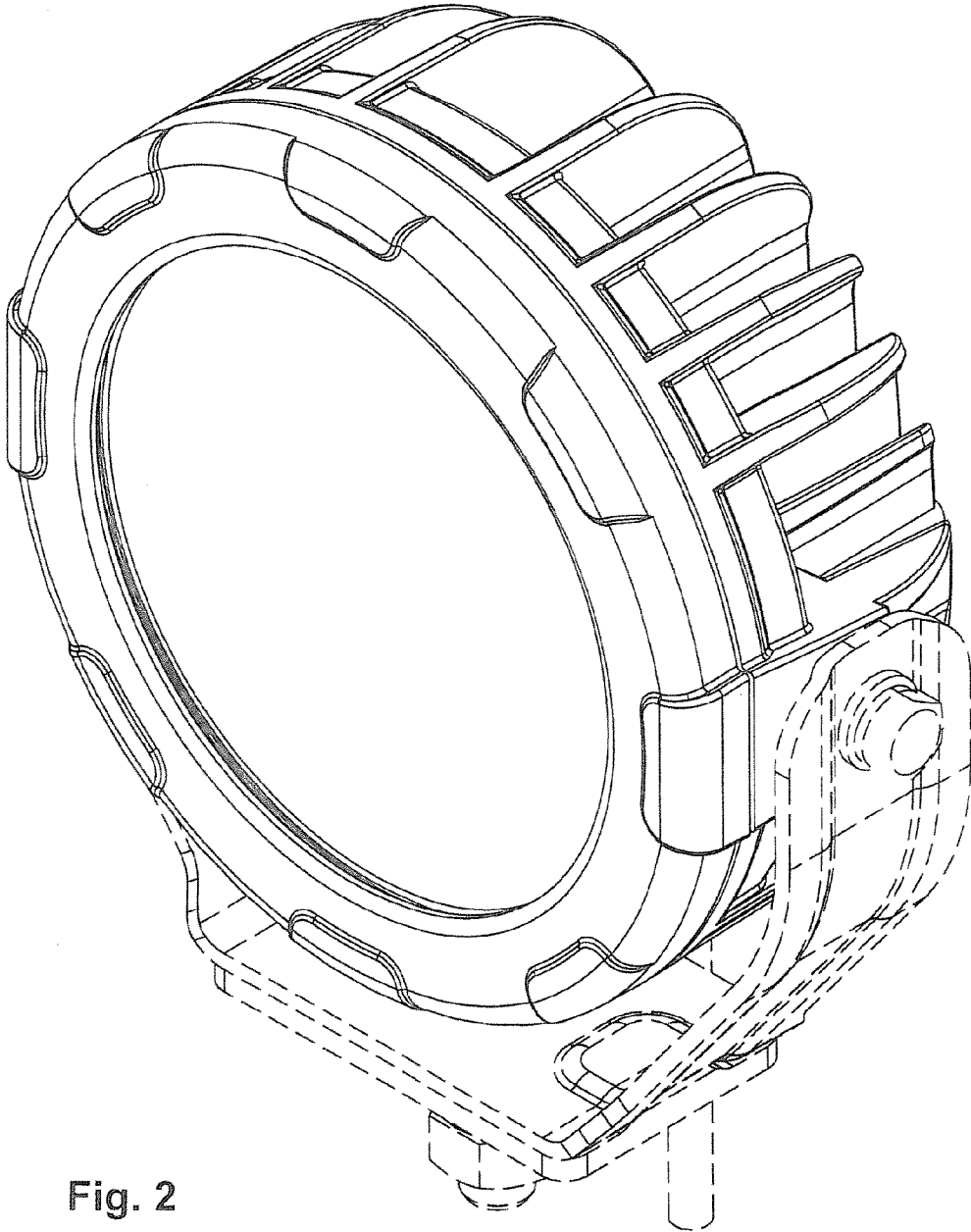


Fig. 2

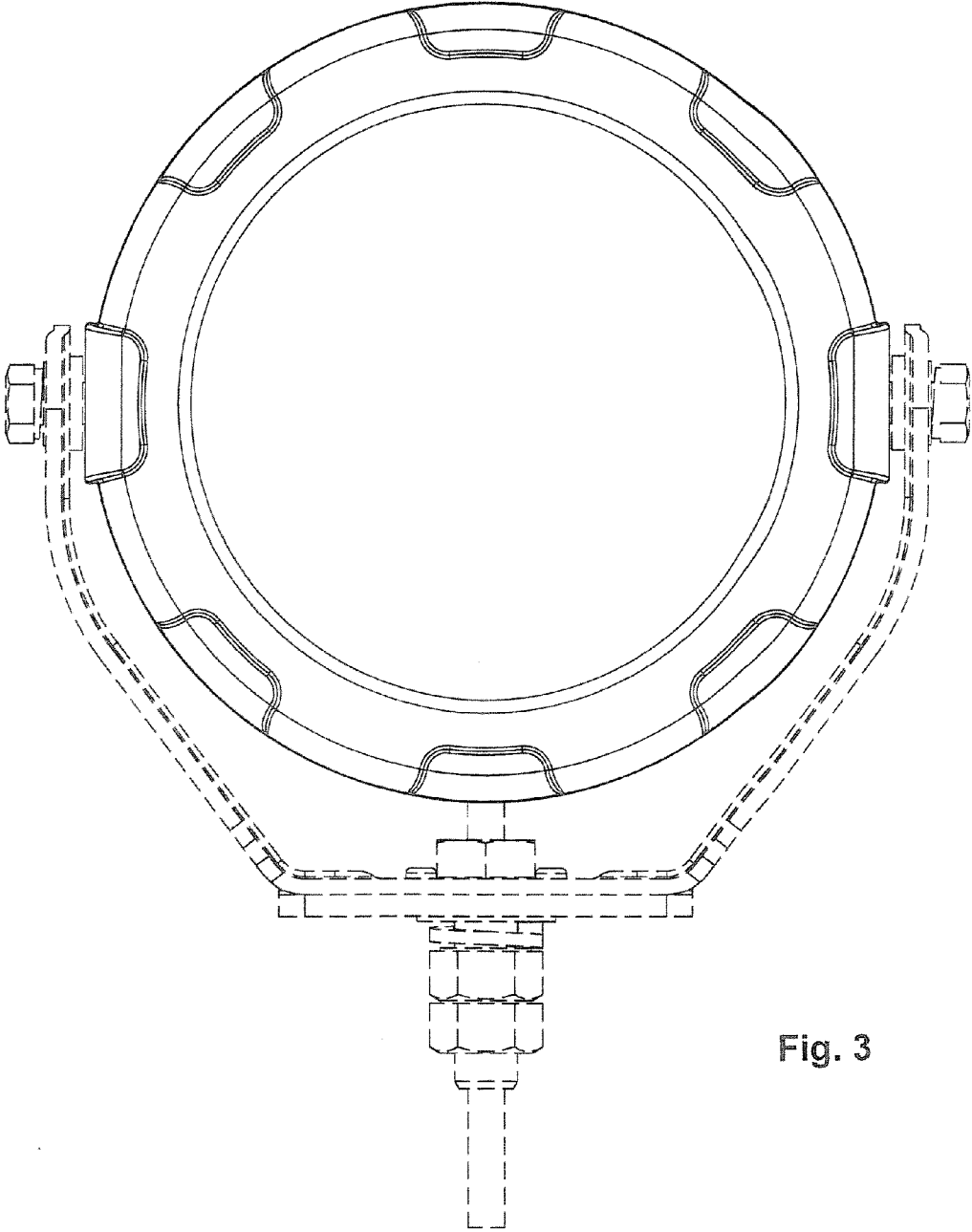


Fig. 3

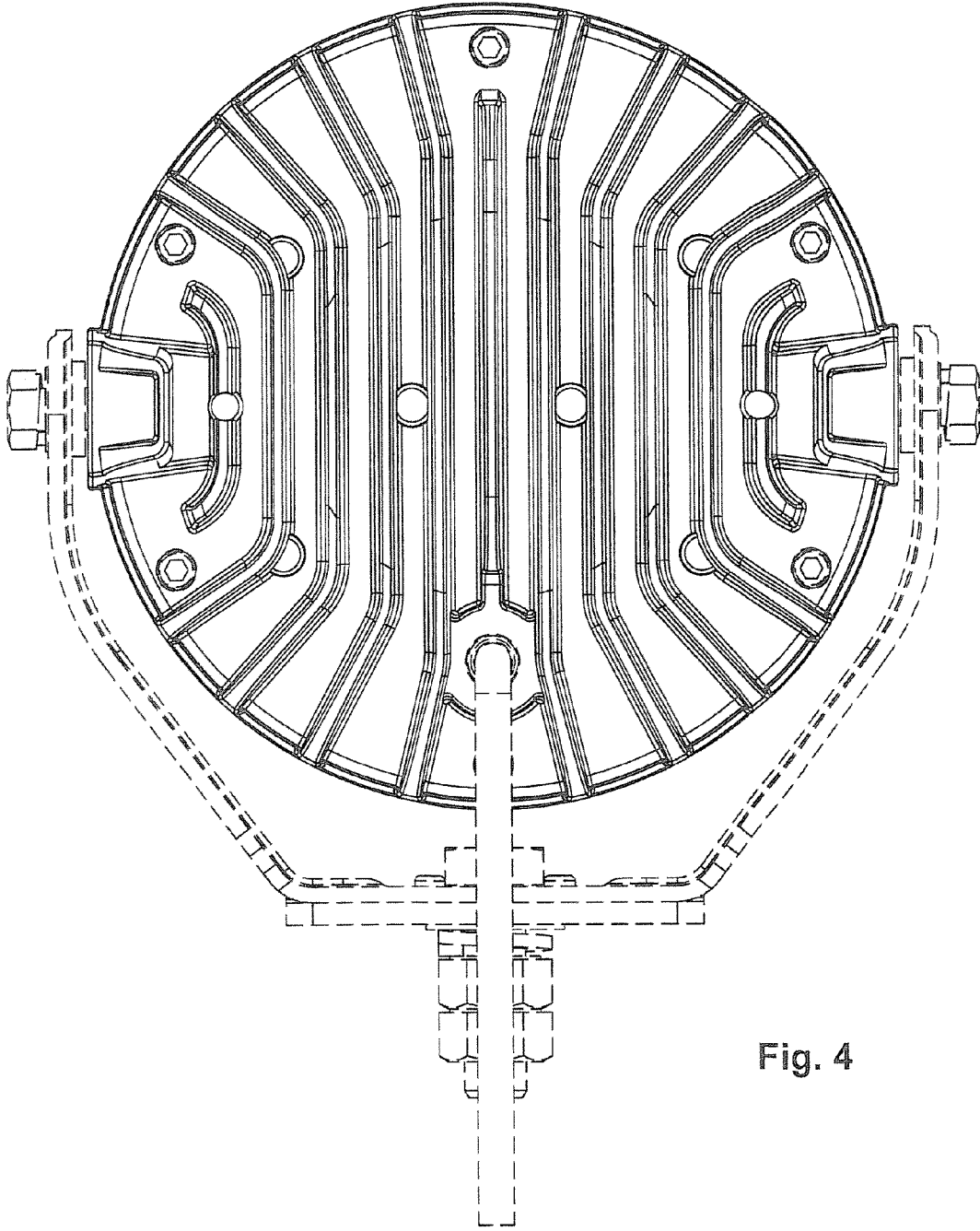


Fig. 4

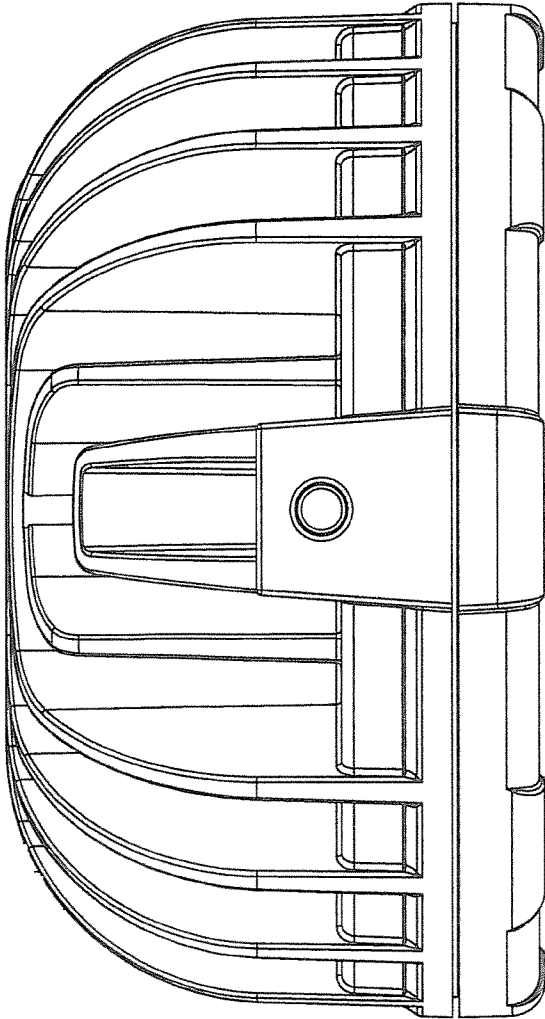


Fig. 5

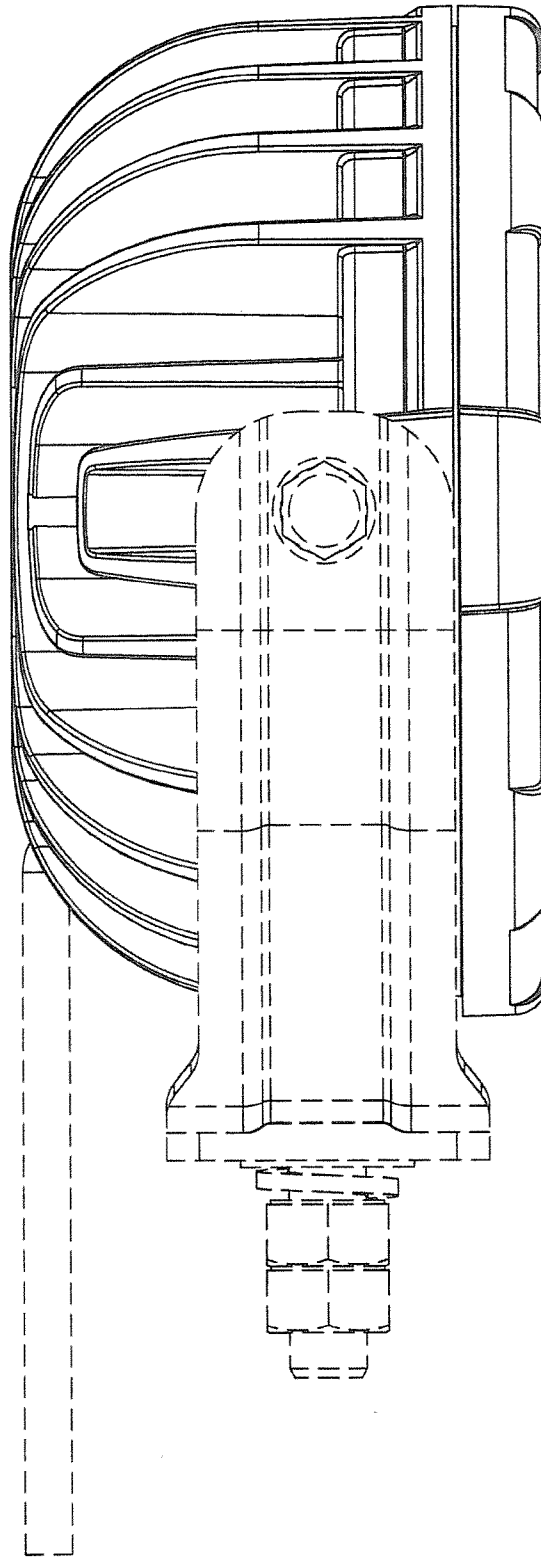


Fig. 6

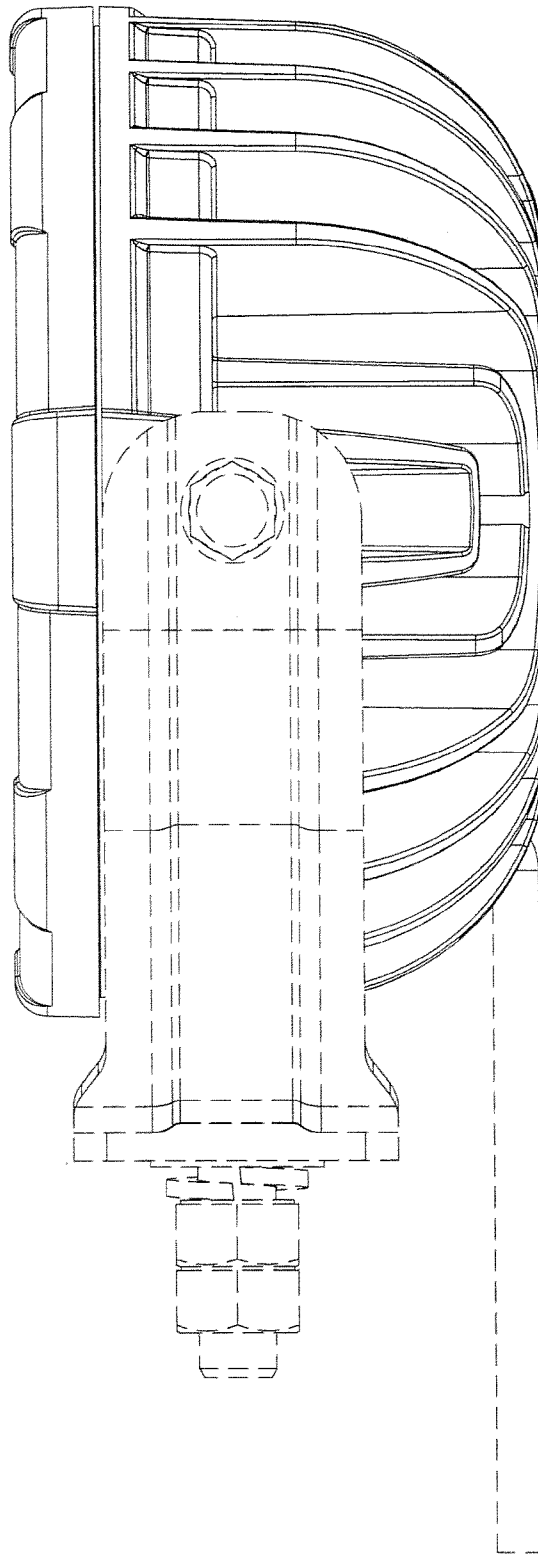


Fig. 7

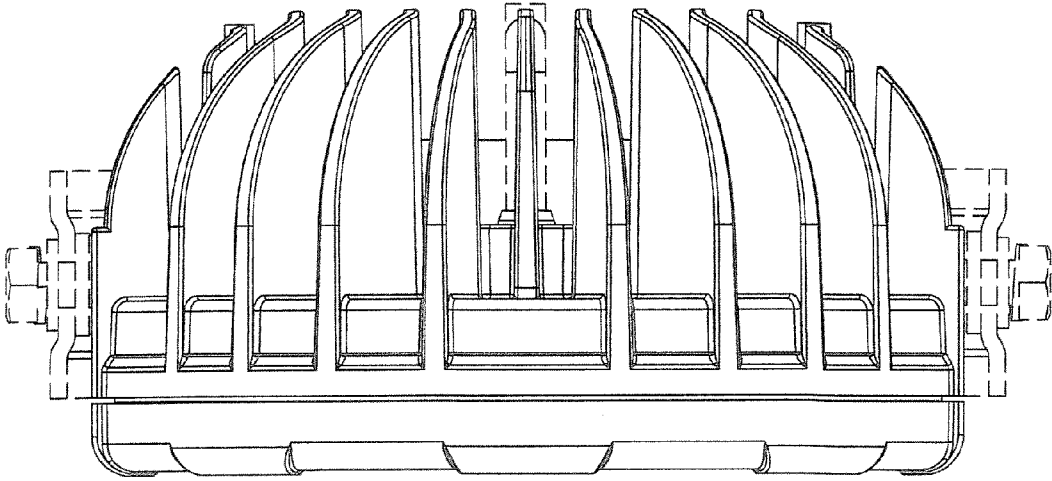


Fig. 8

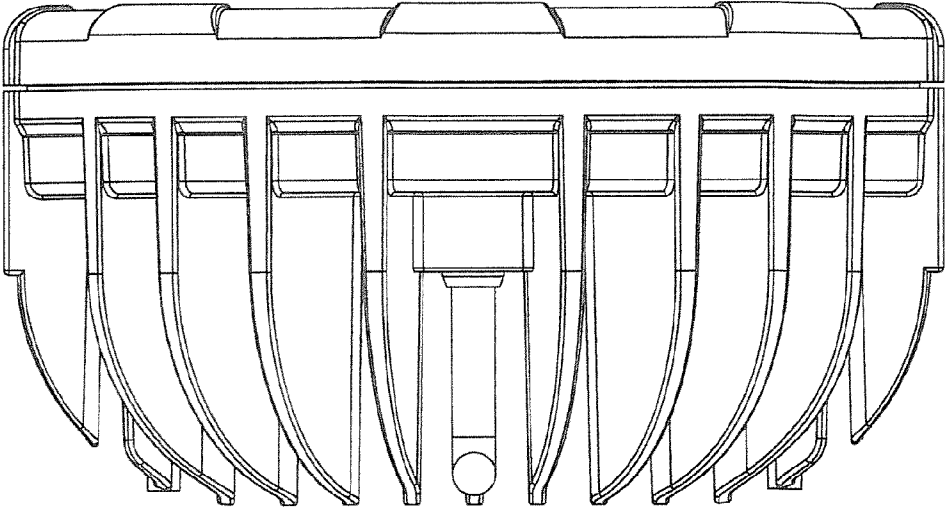


Fig. 9

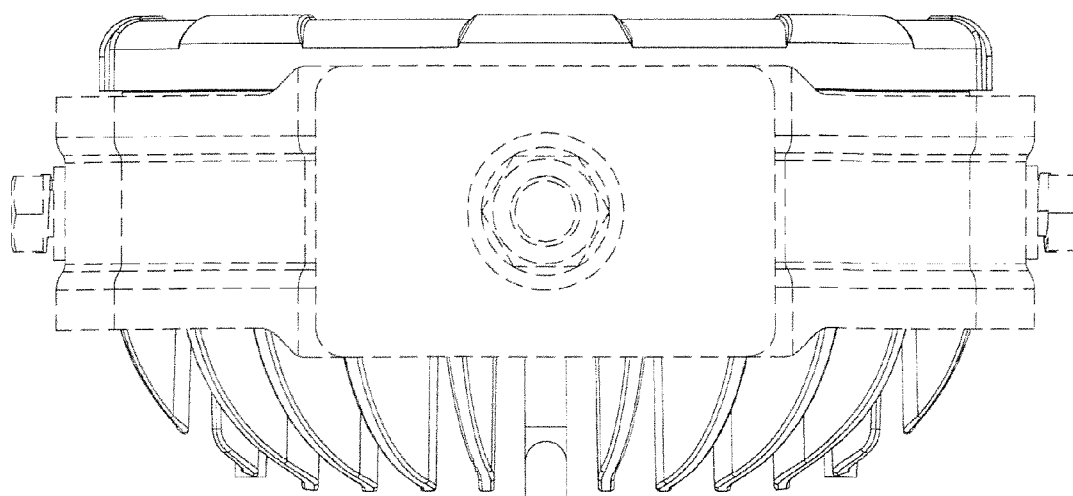


Fig. 10