



US00D346473S

United States Patent [19]
Hubble

[11] **Patent Number: Des. 346,473**

[45] **Date of Patent: ** Apr. 26, 1994**

[54] **SHOPPING CART**

[76] **Inventor: Kenneth W. Hubble, P.O. Box 307,
Shelbyville, Tex. 75973**

[**] **Term: 14 Years**

[21] **Appl. No.: 945,350**

[22] **Filed: Sep. 16, 1992**

[52] **U.S. Cl. D34/19; D34/17**

[58] **Field of Search 280/33.992, 33.991,
280/47.34; D34/12, 17, 18, 19, 27**

[56] **References Cited**

U.S. PATENT DOCUMENTS

3,909,034 9/1975 Trubiano 280/47.34
4,678,195 7/1987 Trubiano 280/33.992

FOREIGN PATENT DOCUMENTS

622539 6/1961 Canada 280/47.34

Primary Examiner—Kay H. Chin
Attorney, Agent, or Firm—S. Michael Bender

[57] **CLAIM**

The ornamental design for a shopping cart, as shown and described.

DESCRIPTION

FIG. 1 is a left side elevational view of a shopping cart showing my new design; FIG. 2 is a right side elevational view thereof; FIG. 3 is a front elevational view thereof; FIG. 4 is a rear elevational view thereof; FIG. 5 is a top plan view thereof; FIG. 6 is a bottom plan view thereof; and, FIG. 7 is a left side elevational view thereof with the umbrella in closed condition.

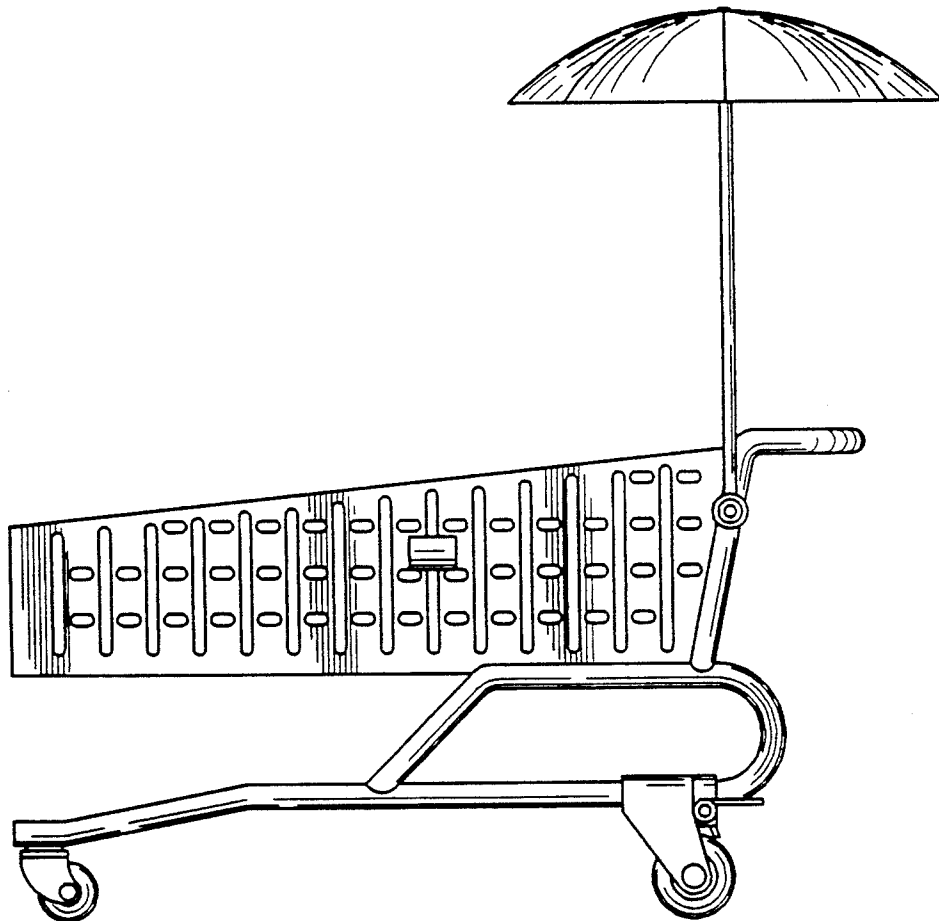


FIG. 1

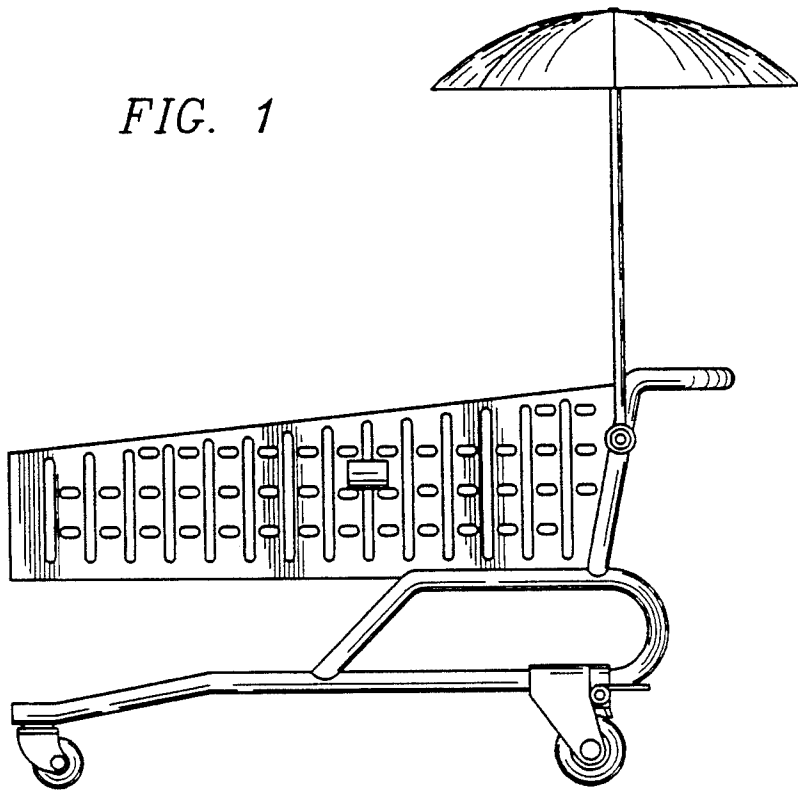


FIG. 2

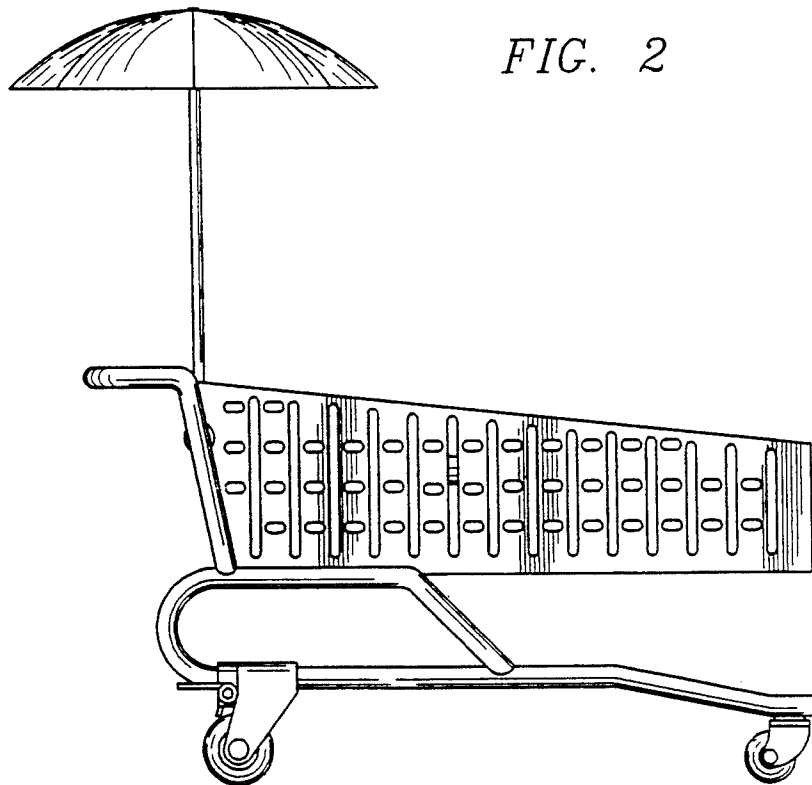


FIG. 3

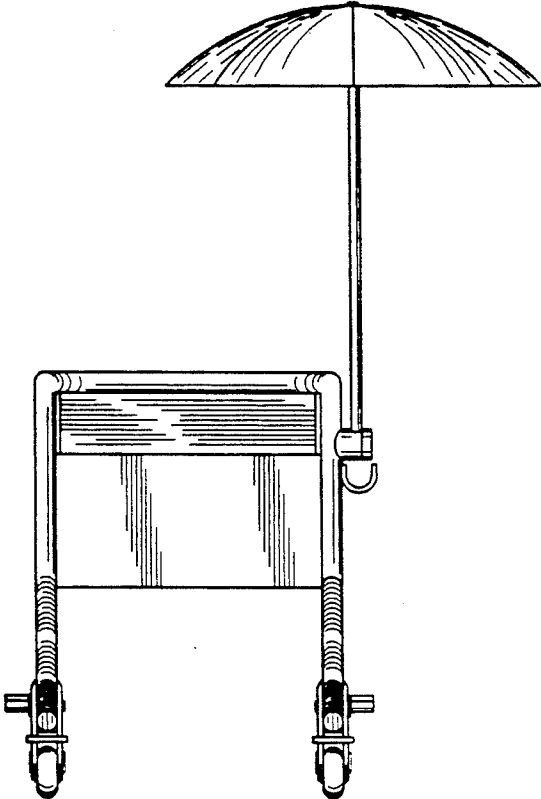


FIG. 4

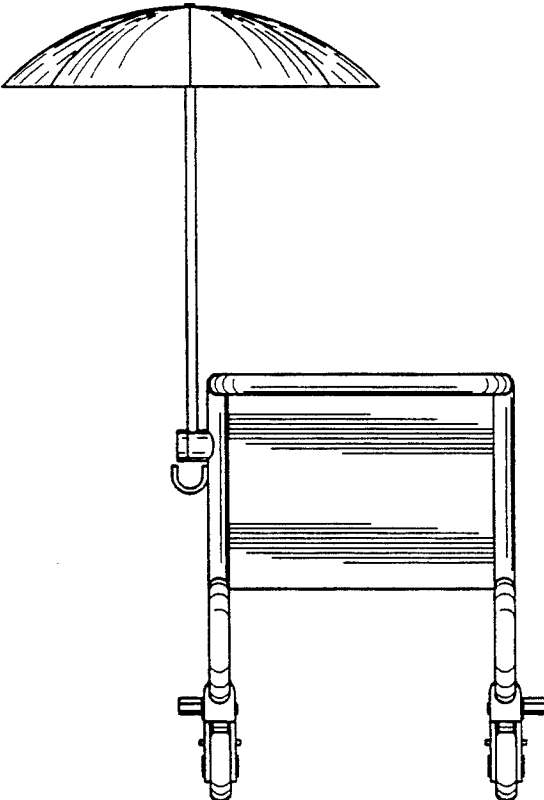


FIG. 5

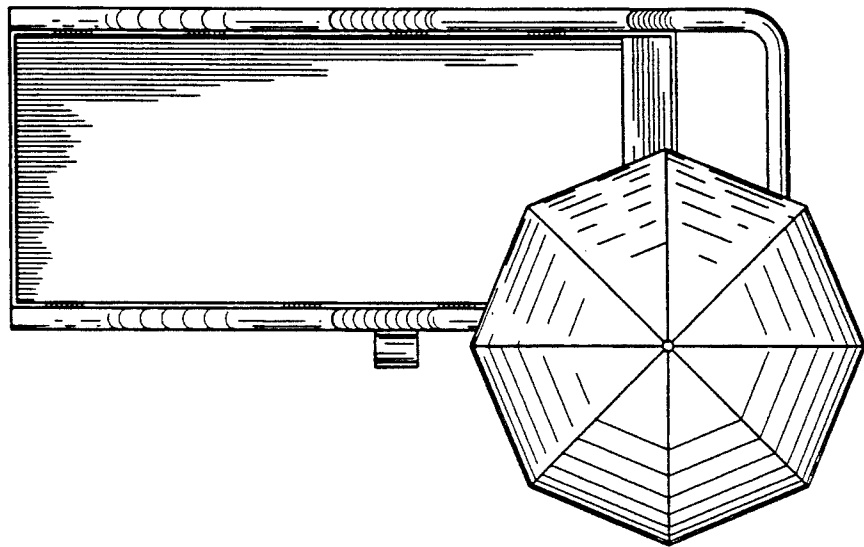


FIG. 6

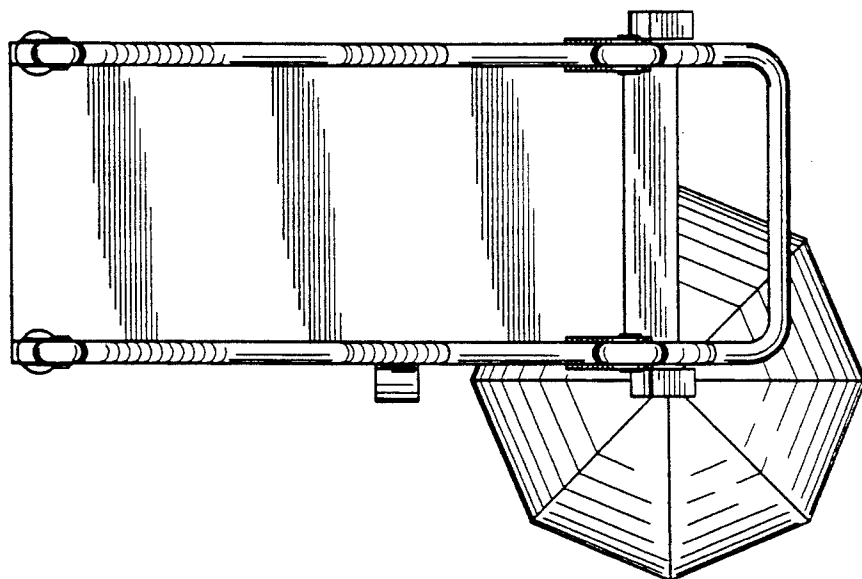


FIG. 7

