

(19) World Intellectual Property Organization
International Bureau



(43) International Publication Date
6 November 2008 (06.11.2008)

PCT

(10) International Publication Number
WO 2008/131566 A1

(51) International Patent Classification:

F21V 8/00 (2006.01) F21V 7/04 (2006.01)
F21V 13/02 (2006.01) F21S 8/10 (2006.01)

(74) Agents: KINSMAN, L. Anne et al.; Borden Ladner Gervais LLP, World Exchange Plaza, 100 Queen Street, Suite 1100, Ottawa, Ontario K1P 1J9 (CA).

(21) International Application Number:

PCT/CA2008/000847

(22) International Filing Date: 1 May 2008 (01.05.2008)

(25) Filing Language: English

(26) Publication Language: English

(30) Priority Data:

60/915,207 1 May 2007 (01.05.2007) US
60/942,745 8 June 2007 (08.06.2007) US
60/951,775 25 July 2007 (25.07.2007) US

(81) Designated States (unless otherwise indicated, for every kind of national protection available): AE, AG, AL, AM, AO, AT, AU, AZ, BA, BB, BG, BH, BR, BW, BY, BZ, CA, CH, CN, CO, CR, CU, CZ, DE, DK, DM, DO, DZ, EC, EE, EG, ES, FI, GB, GD, GE, GH, GM, GT, HN, HR, HU, ID, IL, IN, IS, JP, KE, KG, KM, KN, KP, KR, KZ, LA, LC, LK, LR, LS, LT, LU, LY, MA, MD, ME, MG, MK, MN, MW, MX, MY, MZ, NA, NG, NI, NO, NZ, OM, PG, PH, PL, PT, RO, RS, RU, SC, SD, SE, SG, SK, SL, SM, SV, SY, TJ, TM, TN, TR, TT, TZ, UA, UG, US, UZ, VC, VN, ZA, ZM, ZW.

(71) Applicant (for all designated States except US): MORGAN SOLAR INC. [CA/CA]; 688 Richmond St. West, Suite B, Toronto, Ontario M6J 1C5 (CA).

(84) Designated States (unless otherwise indicated, for every kind of regional protection available): ARIPO (BW, GH, GM, KE, LS, MW, MZ, NA, SD, SL, SZ, TZ, UG, ZM, ZW), Eurasian (AM, AZ, BY, KG, KZ, MD, RU, TJ, TM), European (AT, BE, BG, CH, CY, CZ, DE, DK, EE, ES, FI, FR, GB, GR, HR, HU, IE, IS, IT, LT, LU, LV, MC, MT, NL,

(72) Inventor; and

(75) Inventor/Applicant (for US only): MORGAN, John, Paul [CA/CA]; 79 Redwood Avenue, Toronto, Ontario M4L 2S5 (CA).

[Continued on next page]

(54) Title: ILLUMINATION DEVICE

(57) Abstract: An illumination device having an optical waveguide stage to which is optically coupled a light-projecting stage. The illumination device accepts light from a small isotropic light source such as a light emitting diode or a bulb coupled to the optical waveguide stage. The illumination device spreads the light over a wide area while also collimating it to form a beam. The light-projecting stage and the optical waveguide stage are made of thin slabs of optically transmissive material.

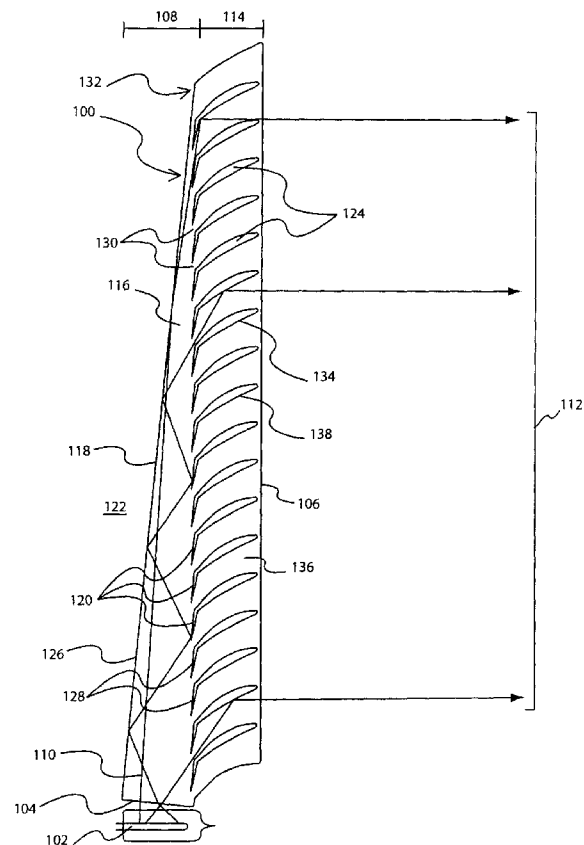


Fig. 1

WO 2008/131566 A1



NO, PL, PT, RO, SE, SI, SK, TR), OAPI (BF, BJ, CF, CG,
CI, CM, GA, GN, GQ, GW, ML, MR, NE, SN, TD, TG).

Published:
— *with international search report*

ILLUMINATION DEVICE

CROSS REFERENCE TO RELATED APPLICATIONS

[0001] This application claims the benefit of priority of U.S. Provisional Patent Application No. 60/915,207 filed May 1, 2007; U.S. Provisional Patent Application No. 60/942,745 filed June 8, 2007; and U.S. Provisional Patent Application No. 60/951,775 filed July 25, 2007, which are incorporated herein by reference in their entirety.

FIELD OF THE INVENTION

[0002] The present invention relates generally to collimating optics. More particularly, the present invention relates to light-guiding collimator optics for luminaires.

BACKGROUND OF THE INVENTION

[0003] Luminaires that collimate light from an isotropic source to form a beam of light are known. The optical elements of the luminaires can be either lenses or mirrors, and the isotropic light source can be an incandescent bulb, a fluorescent bulb, or a light emitting diode. Light is emitted from the bulb in all directions and interacts with the optical elements, and is redirected to make a beam in which all the rays of light are substantially parallel.

[0004] One widespread application for such luminaires is automotive headlamps. In a typical automotive headlamp, a bulb is positioned at the focal point of a parabolic reflector. Light emanates from the bulb in all directions and strikes the parabolic reflector, which collimates the light into a beam. In general these automotive headlamps have considerable depth, occupying space in the car. Other exemplary applications include products such as, amongst others, stage lighting, flashlights, medical lighting and dentistry lighting.

[0005] Parabolic reflector can also be upwards of 20 cm deep for an automotive headlamp and a cover is also required to protect the bulb and reflector cavity. Additionally, though automotive headlamps are generally made by injection molding poly(methyl-methacrylate) (PMMA) or poly carbonate, the clear polymers must be coated in a reflective mirror coating in order to operate correctly. The polymers used to

make these assemblies are recyclable with a high recovery value, but the mirror coating complicates the recycling process and reduces the recovery value.

[0006] Therefore, it is desirable to provide a collimating luminaire that is considerably less bulky than existing options. It is also desirable to provide a luminaire that does not need a cover, and which does not require any mirror coatings in order to function.

SUMMARY OF THE INVENTION

[0007] It is an object of the present invention to obviate or mitigate at least one disadvantage of previous illumination devices.

[0008] In a first aspect, the present invention provides an illumination device that comprises a light-projecting stage having at least one optical input aperture, an output surface, and optical elements formed between the at least one optical input aperture and the output surface. The device further comprises an optical waveguide stage optically coupled to the at least one optical input aperture, the optical waveguide stage having an input surface to receive light and a waveguide section to guide the light from the input surface to the at least one optical input aperture, the optical elements directing the light from the at least one input aperture to the output surface wherefrom the light exits as a beam.

[0009] In further aspect, the present invention provides an illumination device that comprises a first light-projecting stage having a first at least one optical input aperture, a first output surface, and first optical elements formed between the first at least one optical input aperture and the first output surface. The device also comprises a second light-projecting stage having a second at least one optical input aperture, a second output surface, and second optical elements formed between the second at least one optical input aperture and the second output surface. The device further comprises an optical waveguide stage optically coupled to the first at least one optical input aperture and to the second at least one optical input aperture, the optical waveguide stage having a first input surface to receive a first light from a first light source and a second input surface to receive a second light from a second light source. The optical waveguide further has a waveguide section to guide the first light from the first input surface to the first at least one optical input aperture, the first optical elements directing the first light from the first at least one input aperture to the first output surface

wherefrom the first light exits as a first beam. The waveguide section also to guide the second light from the second input surface to the first at least one optical input aperture and to the second at least one optical input aperture, the first optical elements and the second optical elements directing the second light respectively from the first at least one input aperture to the first output surface and from the second at least one input aperture to the second output surface, the second light exiting from the first and second output surface forming a second beam.

[0010] Other aspects and features of the present invention will become apparent to those ordinarily skilled in the art upon review of the following description of specific embodiments of the invention in conjunction with the accompanying figures.

BRIEF DESCRIPTION OF THE DRAWINGS

[0011] Embodiments of the present invention will now be described, by way of example only, with reference to the attached Figures, wherein:

Fig. 1 shows a first embodiment of the light-guide collimating optic of the present invention;

Fig. 2 shows an enlarged view of the embodiment of Fig. 1 with light rays entering the collimating stage;

Fig. 3 shows the embodiment of Fig. 1 with an isotropic light source at the center of the optic;

Fig. 4 shows a perspective view of the revolved geometry embodiment of the light-guide collimating optic of the present invention;

Fig. 5A shows the embodiment of Fig. 3 with light rays exiting the emitter face;

Fig. 5B shows a perspective view of the embodiment of Fig. 4 in a housing;

Fig. 5C shows a simple parabolic reflector spot lamp;

Fig. 5D shows a perspective view of a spot lamp;

Fig. 6A shows an exploded view of a slab design embodiment of Fig. 3;

Fig. 6B shows an intact view of a slab design embodiment of Fig. 3;

Fig. 6C shows an enlarged view of a slab design embodiment of Fig. 3;

Fig. 7A shows a computer simulation in the XZ plane of the embodiment of Fig.

3;

Fig. 7B shows a computer simulation in the YZ plane of the embodiment of Fig.

3;

Fig. 7C shows the intensity relief plot from a computer simulation of the embodiment of Fig. 3;

Fig. 7D shows the intensity profile from a computer simulation of the embodiment of Fig. 3;

Fig. 8A shows an embodiment of the light-guide collimating optic of the present invention where light rays undergo one or two reflections in the collimating stage;

Fig. 8B shows a complete view of the embodiment of Fig. 8A;

Fig. 9A shows an embodiment of the light-guide collimating optic of the present invention where parabolic reflectors are oriented to directed light downwards in the collimating stage;

Fig. 9B shows a complete view of the embodiment of Fig. 9A;

Fig. 10A shows an embodiment of the light-guide collimating optic of the present invention where parabolic reflectors are oriented to direct light upwards in the collimating stage;

Fig. 10B shows a complete view of the embodiment of Fig. 10A;

Fig. 11A shows an embodiment of the light-guide collimating optic of the present invention where small functional elements are implemented;

Fig. 11B shows an enlarged view of the embodiment of Fig. 11A;

Fig. 12A shows a perspective view of the linear geometry embodiment of the light-guide collimating optic of the present invention where the slab design of Fig. 6 and a tube-shaped light source are implemented;

Fig. 12B shows a cross-sectional view of the embodiment of Fig. 12A;

Fig. 13A shows a perspective view of the revolved geometry embodiment of the light-guide collimating optic of the present invention where the slab design of Fig. 6 and the small functional elements of Fig. 11 are implemented;

Fig. 13B shows a complete cross-sectional view of the embodiment of Fig. 13A;

Fig. 13C shows an enlarged cross-sectional view of the embodiment of Fig. 13A;

Fig. 14A shows a perspective view of the broad beam embodiment of the light-guide collimating optic of the present invention where a linear geometry describes the functional elements, a revolved geometry describes the waveguide stage, and the slab design of Fig. 6 is implemented;

Fig. 14B shows a complete cross-sectional view of the embodiment of Fig. 14A;

Fig. 14C shows an enlarged cross-sectional view of the of the embodiment of Fig. 14A;

Fig. 15A shows a computer simulation of the embodiment of Fig. 14 in the XZ plane;

Fig. 15B shows a computer simulation of the embodiment of Fig. 14 in the YZ plane;

Fig. 15C shows the intensity relief plot from a computer simulation of the embodiment of Fig. 14;

Fig. 15D shows the intensity profile from a computer simulation of the embodiment of Fig. 14;

Fig. 16A shows a perspective view of the semi-broad beam embodiment of the light-guide collimating optic of the present invention where the circular arcs describing the duality of revolved optics are not concentric with the circumference of the light-guide collimating optic and the slab design of Fig. 6 is implemented;

Fig. 16B shows a complete cross-sectional view of the embodiment of Fig. 16A;
Fig. 16C shows an enlarged cross-sectional view of the embodiment of Fig. 16A;
Fig. 17A shows a perspective view of the embodiment of Fig. 16 with cylindrical lenses on the emitter face;

Fig. 17B shows a complete cross-sectional view of the embodiment of Fig. 17A;

Fig. 17C shows an enlarged cross-sectional view of the embodiment of Fig. 17A;

Fig. 18A shows a perspective view of an embodiment of the light-guide collimating optic of the present invention where the optic consists of a circular section of the embodiment of Fig. 16 and the isotropic light source is edge-mounted;

Fig. 18B shows a complete cross-sectional view of the embodiment of Fig. 18A;

Fig. 19 shows an embodiment of the light-guide collimating optic of the present invention where compound reflectors are used in the collimating stage and the slab design of Fig. 6 is implemented;

Fig. 20 shows an embodiment of the light-guide collimating optic of the present invention where the collimating stage containing a large reflector overlaps the waveguide stage and the slab design of Fig. 6 is implemented;

Fig. 21 shows an embodiment of the light-guide collimating optic of the present invention where high beam and low beam functionality and angular reflectors of Fig. 9 in the collimating stage are incorporated;

Fig. 22A shows an embodiment of the light-guide collimating optic of the present invention where dichroic mirrors encase the isotropic light source; and

Fig. 22B shows an enlarged view of the embodiment of Fig. 22A.

DETAILED DESCRIPTION

[0012] Generally, the present invention is a luminaire that uses a light-guide collimating optic (LGCO), which can also be referred to as an illumination device. The LGCO accepts light from a small isotropic light source such as a light emitting diode (LED) or a bulb and spreads the light over a wide area while also collimating it to form a beam wherein all the rays are substantially parallel. The LGCO includes of a thin slab of optically transmissive material with an emitter face, out of which light emerges collimated, and a smaller input face, located on the edge of the LGCO. There can be more than one input face on an LGCO.

[0013] The LGCO has two stages, a waveguide stage (also referred to as an optical waveguide stage and which includes a waveguide section) and a collimating stage (also referred to as a light-projecting stage). Light inserted into the LGCO at an input face is guided internally by total internal reflection in the waveguide stage and spreads substantially evenly over the LGCO. Light then couples into the collimating stage via a multiplicity of apertures (also referred to as optical input apertures) that allow light to escape the waveguide stage. The LGCO can be cut circularly, squarely, or in any other shape. The light beam emerges substantially collimated. Alternatively, the light beam can also be shaped in a variety of ways, and made to diverge to any desired degree in one plane or in two planes.

[0014] It is also possible to build the LGCO such that it accepts light from two sources so that the emerging light differs with each source. For example, one could make a high-beam/low-beam arrangement whereby one bulb produces a beam of light aimed slightly downward, and another bulb produced a beam in the same LGCO aimed horizontally or slightly upward.

[0015] Fig. 1 shows the first embodiment of the LGCO 100. Light is emitted from an isotropic light source 102 placed at the edge 104 (also referred to as an input surface) of the LGCO 100 and emerges from an emitter face 106 (also referred to as an output surface) collimated. The LGCO 100 has a waveguide stage 108 into which light 110 from the isotropic source 102 is first inserted and guided. It also has a collimating stage 114 that shapes and directs the final beam 112. The waveguide stage 108 and the collimating stage can be made of any appropriate optical material 116 (e.g., PMMA).

The waveguide stage 108 has one face 118 (also referred to as a first surface) on its back and a multiplicity of interfaces 120 on its front side. The face 118 is an interface between the optical material 116 and the exterior material 122. The exterior material 122 can be a gas or another material of lower index of refraction than the optical material 116. The multiplicity of interfaces 120 separate the optical material 116 from another material or gas of lower index of refraction 124. The interface 118 makes a reflector 126 that operates on the light 110 by total internal reflection. The multiplicity of interfaces 120 also makes reflectors 128 that operate on the light 110 by total internal reflection. The backside reflector 126 and the multiplicity of front side reflectors 128 can be substantially parallel.

[0016] Light 110 traveling in the waveguide stage 108 encounters apertures 130 (also referred to as optical input apertures), each of which is an exit location from the waveguide stage 108. At each subsequent aperture 130, the waveguide stage 108 becomes narrower, so that the waveguide stage 108 tapers from thickest near the lamp source 102 to the thinnest at the outside edge of the waveguide stage 132. At each aperture 130, light 110 exits the waveguide stage 108 and enters the collimating stage 114. Fig. 2 shows three rays 110 at different angles exiting the waveguide stage 108 via the aperture 130 and entering the collimating stage 114. The rays 110 reach an interface 134, which has a parabolic shape. The interface 134 separates the optical material 136 comprising the collimating stage 114 from the gas or lower index of refraction material 124. The interface 134 thus creates a reflector 138 that operates by total internal reflection – although this reflector 138 can also have a mirrored surface. The light rays 110 impinging on the reflector 138 can be collimated (made parallel) and immediately exit the LGCO 100 out the emitter face 106.

[0017] For optimal collimation the reflector 138 is a parabolic section. However, this reflector can also be a round section, or any other appropriate shape or a circular approximation of the optimal parabolic section. For the parabolic case, the parabola 140 which describes the reflector 138 has a focal point 142 which is coincident with the aperture 130, and the axis of the parabola 144 points in the output direction of the beam - in this case, normal to the emitter face 106 of the LGCO 100. Light 110 entering the collimating stage 114 from the aperture 130 can be thought of as diverging from the focus 142 of the parabola 140 because the focus 142 of the parabola 140 and the aperture 130 are coincident, and the aperture 130 is narrow. A parabolic reflector 138

collimates light 110 that is diverging from its focus 142 in a direction parallel to the axis 144 of the parabola 140.

[0018] The LGCO 100 can be used with a bulb 102 on one edge as shown previously or with the bulb 102 in the center of the LGCO 100. This is shown in Fig. 3. The cross-section from Figs. 1-3 can be made into a linear optic in which case light 110 would be inserted along the whole edge of the optic 104 (an example is shown in Fig. 12).

[0019] Fig. 4 shows a revolved LGCO 100 that is shaped like a discus 146. The cross-section 148 is shown stippled in the figure, and is the same as fig. 1. The discus 146 has a hub 150 in its center that can accept a bulb. Light 110 enters the discus 146 via a circular wall 152 of the hub 150. Light 110 then propagates as before and exits as a collimated beam 112 out the emitter face 106.

[0020] In the preceding Figs. 1-3, if the apertures 130 are tightened, then a point source is more closely approximated from the perspective of the parabolic reflectors 138; therefore the light 110 emerging from the system will be more collimated. If the apertures 130 are widened, then the opposite happens, and a more divergent beam will emerge from the LGCO 100. This is a design tool that can be used to achieve the desired divergence. The tapering of the waveguide stage 108 depends on the width of the apertures 130, so narrower apertures 130 will make the waveguide stage 108 taper more gradually, and wider apertures 130 will make it taper more quickly.

[0021] Fig. 5 shows a comparison between the LGCO 100 and a simple parabolic reflector 154. Both optics produce a collimated beam 112, but the LGCO 100 is considerably more compact along the optical axis 156 of the collimated light 112. Fig. 5B exemplifies this compactness using the example of a spot-lamp 158 and a LGCO in a housing 160 of the same diameter.

[0022] In actuality, it could be difficult to manufacture the LGCO 100 in one piece as shown in Figs 1-4. An easier process to mold the LGCO 100 by injection molding, compression molding, or another suitable means is to split the LGCO 100 into two slabs which each have no undercuts and which fit together. These parts can be dry-fitted together and require no welding or optical bonding.

[0023] The division is shown in Fig. 6, with the waveguide stage 108 comprising one slab 162 and the collimating stage 114 comprising another slab 164. The

waveguide stage 108 has exit faces 166 through which light 110 can escape, and it is coupled into the collimating stage 114 through an injection face 168 abutting the exit face 166. The exit faces 166 and injection faces 168 make apertures 130 between the waveguide stage 108 and the collimating stage 114. Fig. 6 shows light 110 striking the reflectors 138 after exiting the apertures 130 and making collimated beams 112. In the present example, the beams 112 emerging from the reflectors 138 in the collimating stage slab 164 do not cover the whole emitter face 106. There is a dead space 170 where no beam 112 exits the LGCO 100. This creates bands of collimated light. In the case of a revolved LGCO, the effect would be concentric rings of light emanating from the optic. In practice however, a small degree of divergence in the light would render the rings imperceptible beyond a short distance, and the light exiting the optic would appear as a unified, solid beam.

[0024] This effect plays out in computer modeling, and Fig. 7 shows these results. A 20 cm diameter revolved LGCO 100 was modeled and the profile 174 of the light beam analyzed at a distance of 1 meter from the optic 100; dimensions on the figure are in centimeters and the intensity of the beam is on an arbitrary scale. As is clear from the profiles 174 and the relief plot 176, the beam is roughly Gaussian. The simulation was done with a finite number of rays and accounts for the noise in the profiles 174 and relief plot 176.

[0025] Fig 8 shows rays 178 and 180 exiting the waveguide stage 108 at the apertures 130. Rays exiting the waveguide stage 108 and entering the collimating stage 114 can go through one of two processes, both of which are described here. Ray 178 enters the collimating stage 114, immediately strikes the reflector 138, and then exits the LGCO 100. Ray 180 enters the collimating stage 114 and reflects off the bottom face 182 of the collimating stage 114 then subsequently off the reflector 138 before exiting the LGCO 100. The face 182 is parallel to the backside face 118 of the waveguide stage 108. The face 182 is an interface between the optical material 136 and the gas or lower index of refraction material 124 between the collimating stage 114 and the waveguide stage 108 (not visible in Fig. 8 but shown clearly at Fig. 6C). This interface 182 makes a reflector 184 operating under total internal reflection.

[0026] Fig. 8 also shows the parabola 140 that prescribes the reflectors 138 in the collimating stage 114. This parabola 140 has its focus 142 coincident with the center

of the apertures 130 that link the waveguide stage 108 and the collimating stage 114, and the axis 144 of the parabola 140 points in the direction of the beam 112.

[0027] Fig. 9 shows how one can control the direction of the collimated beam by altering the parabola 140, which is used to prescribe the reflectors 138. The axis 144 of the parabola 140 has been angled downward. If this is done while maintaining the focus 142 of the parabola 140 coincident with the center of the apertures 130 then the resultant beam 112 will be collimated and angled downwards.

[0028] Fig. 10 shows a similar embodiment as fig. 9 except that the axis 144 of the parabola 140 has been angled upwards and the corresponding beam 112 will also be collimated and angled upward.

[0029] The net result of altering the parabolic reflectors 138 by tilting the parabola's axis 144 on a revolved LGCO 100 would be to increase the divergence of the beam 112 emitted from the LGCO 100. If the optic were linear then the effect of these alterations on the reflectors 138 would be to aim the beam 112 down or up without increasing divergence.

[0030] A circular reflector in the collimating stage can be used to approximate the parabolic reflector and can produce substantially collimated light. They could also be potentially easier to build. It may also be the case for certain applications that increased divergence is desirable, and this can be achieved by choosing another shape for the reflector, such as, for example, a section of a circle.

[0031] Fig. 11 shows a LGCO 100 with smaller functional elements 186. The functional elements 186 are defined as: the reflectors 138, the interfaces 120, and the apertures 130 comprised of the exit faces 166 and the injection faces 168. The optics that have been shown in the preceding figures have used large functional elements 186 for explanatory purposes. In actuality, the functional elements 186 would likely be small, with a period 188 between 1 micron and 1 millimeter. Below 1 micron, optical interference would likely dominate the performance of the optic 100, and above 1 millimeter in size the necessary diamond tooling becomes prohibitively expensive. However, larger sizes are possible and functional, and smaller sizes would also function at wavelengths below those of visible light.

[0032] The subsequent sections outline specific embodiments of the technology.

[0033] Figs. 12A and 12B show a linear LGCO 190 made using a two-part slab composition with one slab 162 for the waveguide stage 108 and another slab 164 for the collimating stage 114. A tube shaped bulb 192, in this case a fluorescent bulb, runs down one edge of the optic. The light emerging from the linear LGCO 190 will be collimated in the plane YZ and divergent in the plane XZ. This embodiment has applications in computer displays and lighting.

[0034] Figs. 13A-13C show a revolved LGCO 194. This optic will produce a beam like the one from Fig. 7. The diameter of this LGCO 194 is 20 centimeters and the LGCO 194 is approximately 1 centimeter thick at its widest point. The hub 150 has room for an LED bulb 5 mm in diameter and 7 mm tall, other bulb sizes can be accommodated by altering the design.

[0035] Fig. 14A-14C shows a hybrid linear/revolved optic 198, defined here as a broadbeam optic. The functional elements 186 from fig. 11 describe the cross section of the linear optic along a longitudinal axis 200. The backside face 118 of the waveguide stage 108 is revolved and a hub 150 for a bulb is in the center of the LGCO 198. This LGCO 198 is not as efficient as the previous optic 194 in that more light is lost due to internal scattering. The LGCO 198 collimates light in the plane YZ while letting the light fan out in the plane XZ. This would be useful for automotive headlamps where one would want to illuminate a wide-swath of road but where illumination above the road is not essential. The LGCO 198 produces a similar beam as the LGCO 190 from figs. 12A-12C, except that it accepts a small point source bulb and does not require a long tubular bulb.

[0036] Profiles 210 and a relief plot 212 of this broadbeam LGCO 198 are shown in Figs. 15A-15D.

[0037] There are a number of ways to achieve a broadbeam light shape. Shown in Figs. 16A-16C is another LGCO 202, called a semi-broadbeam optic. The functional elements 186 are prescribed on circular arcs 204 and 206. The circular arcs are not concentric with the circumference 208 of the LGCO 202. In the embodiment shown in figs. 16A-16C, the centers of the circles that prescribe the arcs 204 and 206 are equidistant from the center of the LGCO 202 itself. The resultant beam from the LGCO 202 looks very similar too that shown in Figs. 15A-15D, but it is optically more efficient than the embodiment 198 from fig 14.

[0038] Fig. 17 shows the revolved LGCO 194 with cylindrical lenses 214 on the emitter face 106. The resultant LGCO 216 also produces a broadbeam, which is divergent YZ plane and collimated in the XZ plane.

[0039] Although the light source (lamp or LED) has previously been shown in the center of the LGCO, it is possible to edge-mount the bulb as well. Figs. 18A-18B show another embodiment of the optic where this is the case. The bulb 102 is positioned at the edge of the LGCO 218. The LGCO 218 is formed by taking a circular section of the LGCO 216 from Fig. 17A-17C. Such sectioning can be done to make any embodiment edge-lit; furthermore, the sectioning need not be circular but can be square, triangular, or any appropriate shape.

[0040] It is possible to make the reflector 138 in the collimating stage 114 any other sort of reflector, including a compound reflector 220 as is shown in fig. 19. This gives more light-shaping freedom.

[0041] The waveguide stage slab 162 is shown in preceding figures as tapering to a very fine edge. For structural and fabrication reasons, the waveguide stage slab 162 may require a minimum thickness. Fig. 20 shows a wider and larger reflector 222 that can overlap the outside edge 224 of the waveguide stage slab 162.

[0042] Fig. 21 shows a sectional design for a highbeam/lowbeam LGCO 226. The LGCO 226 accepts light from a central bulb 228 and an edge-mounted bulb 230. The reflectors 138 in the top half 236 of the optic 226 are modeled after fig. 9; they will collimate light into a downwards pointing beam. The reflectors 138 on the bottom half 238 of the LGCO 226 will collimate light horizontally.

[0043] When the central bulb 228 emits light 232 this light travels in both directions within the waveguide stage 108. This light couples to reflectors 138 in both the top half 236 and the bottom half 238 of the LGCO 226. The light 232 emitted from the LGCO 226 is comprised of rays aimed downwards coming from the top half 236 and rays traveling horizontally coming from the bottom half 238.

[0044] When the edge-mounted bulb 230 emits light 234 this light enters the waveguide stage 108 at the bottom edge 240 and travels in the waveguide stage 108 going upwards only. Light 234 will bypass all the apertures 130 and remain in the waveguide stage 108 through the bottom half 238 of the LGCO 226. This is because the apertures 130 allow light to exit the waveguide stage 108 only when that light is traveling

in the direction in which the waveguide stage 108 is tapering. When light travels the opposite direction in the waveguide stage 108, it cannot exit at the apertures 130 and continues to propagate. In the case of the LGCO 226, the light 234 from the edge-mounted bulb 230 will propagate through the bottom half 238 and into the top half 236 of the waveguide stage 108. The light 234 will then be traveling in the correct sense so as to pass through the apertures 130 and reflect off the reflectors 138. Because the reflectors 138 in the top half 236 of the optic 226 are oriented so as to aim light downwards, the resulting beam 234 will be directed downwards. Thus, the LGCO 226 creates a low-beam when only the edge-mounted bulb 230 is lit and a high-beam when the central bulb 228 is lit.

[0045] The bulb portion of these designs has not been discussed in detail, because any bulb can be implemented. Fig. 22 shows an exemplary embodiment of such a LGCO 242 using a high-heat bulb 244. This figure shows other innovations specific to such a light source. A dichroic mirror 246 which reflects infrared radiation 248 is used to separate the lamp 244 from the LGCO 242. This reflects infrared radiation 248 back towards the lamp 244 while allowing visible light 250 to enter into the LGCO 242 and to be shaped into a forward collimated beam 112. A second dichroic mirror 252 that reflects visible 250 light can be placed underneath the light source 244 to allow infrared radiation 248 to escape out of the light-bulb housing 254 while trapping visible light 250 inside so that it can couple into the LGCO 242.

[0046] Other light-trapping schemes can also be employed to maximize coupling between the light source and the LGCO. The most common such scheme will be to put mirrored faces on the bulb or LED itself in order to avoid light escaping in an undesired orientation.

[0047] In addition to lamps and bulbs, light can be coupled into any of the above light-guide collimating optics via a fiber optic.

[0048] In the preceding description, for purposes of explanation, numerous details are set forth in order to provide a thorough understanding of the embodiments of the invention. However, it will be apparent to one skilled in the art that these specific details are not required in order to practice the invention. In other instances, well-known electrical structures and circuits are shown in block diagram form in order not to obscure the invention. For example, specific details are not provided as to whether the

embodiments of the invention described herein are implemented as a software routine, hardware circuit, firmware, or a combination thereof.

[0049] The above-described embodiments of the invention are intended to be examples only. Alterations, modifications and variations can be effected to the particular embodiments by those of skill in the art without departing from the scope of the invention, which is defined solely by the claims appended hereto.

CLAIMS:

1. An illumination device comprising:
a light-projecting stage having at least one optical input aperture, an output
5 surface, and optical elements formed between the at least one optical input aperture and
the output surface; and
an optical waveguide stage optically coupled to the at least one optical input
aperture, the optical waveguide stage having an input surface to receive light and a
waveguide section to guide the light from the input surface to the at least one optical
10 input aperture, the optical elements directing the light from the at least one input
aperture to the output surface wherefrom the light exits as a beam.
2. The device as claimed in claim 1 wherein the optical waveguide stage includes a
15 first surface off of which the light received from the input surface goes through a first
total internal reflection to obtain totally internally reflected light, some of the totally
internally reflected light being incident on the at least one optical input aperture.
3. The device as claimed in claim 2 wherein the optical waveguide section further
has a plurality of reflector elements formed opposite the first surface, the plurality of
20 reflector elements for receiving totally internally reflected light from the first surface and
for reflecting the totally internally reflected light towards the first surface.
4. The device as claimed in claim 3 wherein the plurality of reflector elements
25 includes planar reflectors.
5. The device as claimed in claim 4 wherein the planar reflectors are substantially
parallel to the first surface.
6. The device as claimed in claim 3 wherein at least one reflector element has a
30 total internal reflection surface.
7. The device as claimed in claim 1 wherein the at least one optical input aperture is
located in between adjacent reflector elements.

8. The device as claimed in claim 1 wherein the optical waveguide stage guides the light towards the at least one optical input aperture through a series of total internal reflections.
- 5 9. The device as claimed in claim 1 wherein the input surface has a light input area and the output surface has a light collecting area, the light input area being smaller than the light collecting area.
10. The device as claimed in claim 1 further comprising a light source optically
10 coupled to the input surface.
11. The device as claimed in claim 10 wherein the light source includes at least one of a, an isotropic light source, a light emitting diode and an incandescent light source.
- 15 12. The device as claimed in claim 1 wherein the optical elements include at least one of parabolic reflectors, cubic reflectors, hyperbolic reflectors, elliptical reflectors, flat reflectors, round reflectors and lenses.
13. The device as claimed in claim 1 wherein the optical elements are spaced-apart
20 from each other along substantially parallel lines.
14. The device as claimed in claim 1 wherein the output surface is substantially non-orthogonal to the input surface.
- 25 15. The device as claimed in claim 1 wherein:
the optical elements are spaced-apart from each other along substantially concentric circle arcs; and
the input surface is shaped as a circle arc substantially concentric with the optical
elements.
30
16. The device as claimed in claim 1 wherein:
the optical waveguide stage is formed in a first slab of optically transmissive material; and

the light-projecting stage is formed in a second slab of optically transmissive material.

17. The device as claimed in claim 1 wherein the optical waveguide stage and the light-projecting stage are formed in a same optically transmissive material.

18. The device as claimed in claim 1 wherein the light-projecting stage is a light-collimating stage.

19. An illumination device comprising:

a first light-projecting stage having a first at least one optical input aperture, a first output surface, and first optical elements formed between the first at least one optical input aperture and the first output surface;

a second light-projecting stage having a second at least one optical input aperture, a second output surface, and second optical elements formed between the second at least one optical input aperture and the second output surface;

an optical waveguide stage optically coupled to the first at least one optical input aperture and to the second at least one optical input aperture, the optical waveguide stage having a first input surface to receive a first light from a first light source and a second input surface to receive a second light from a second light source, the optical waveguide further having a waveguide section to guide the first light from the first input surface to the first at least one optical input aperture, the first optical elements directing the first light from the first at least one input aperture to the first output surface wherefrom the first light exits as a first beam, the waveguide section also to guide the second light from the second input surface to the first at least one optical input aperture and to the second at least one optical input aperture, the first optical elements and the second optical elements directing the second light respectively from the first at least one input aperture to the first output surface and from the second at least one input aperture to the second output surface, the second light exiting from the first and second output surface forming a second beam.

20. The device of claim 19 wherein the first beam and the second beam exit the device at different angles.

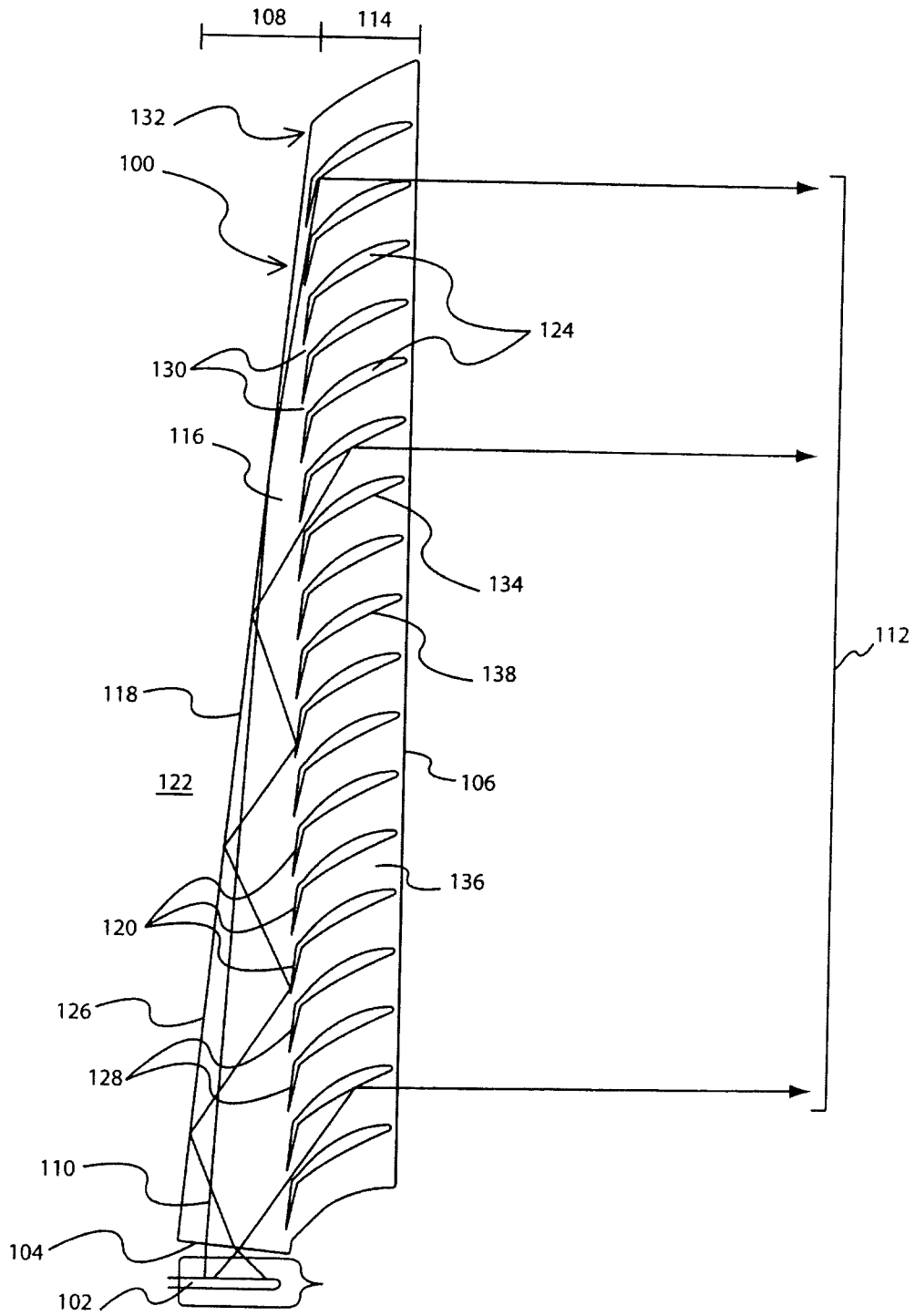


Fig. 1

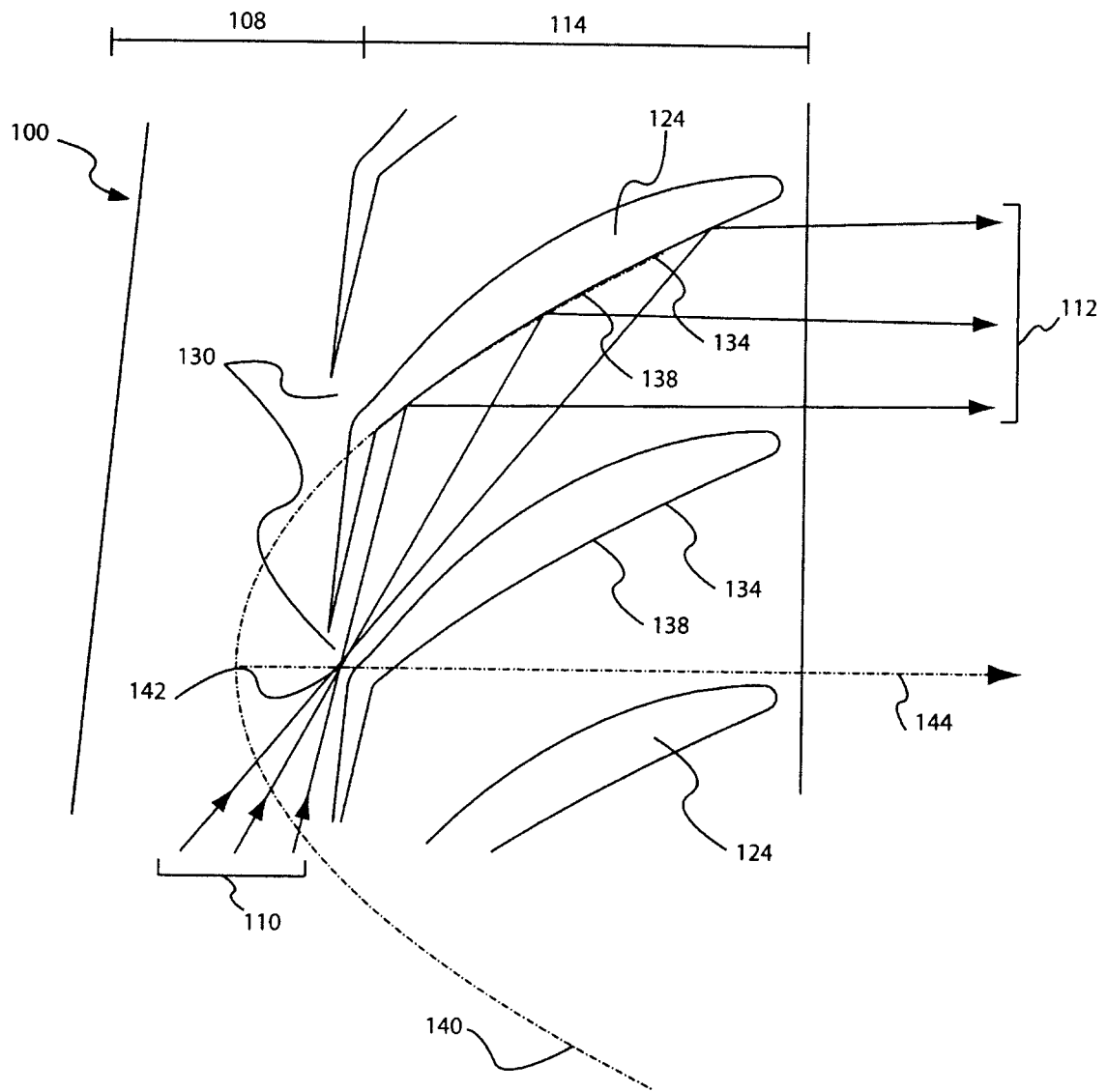


Fig. 2

3/22

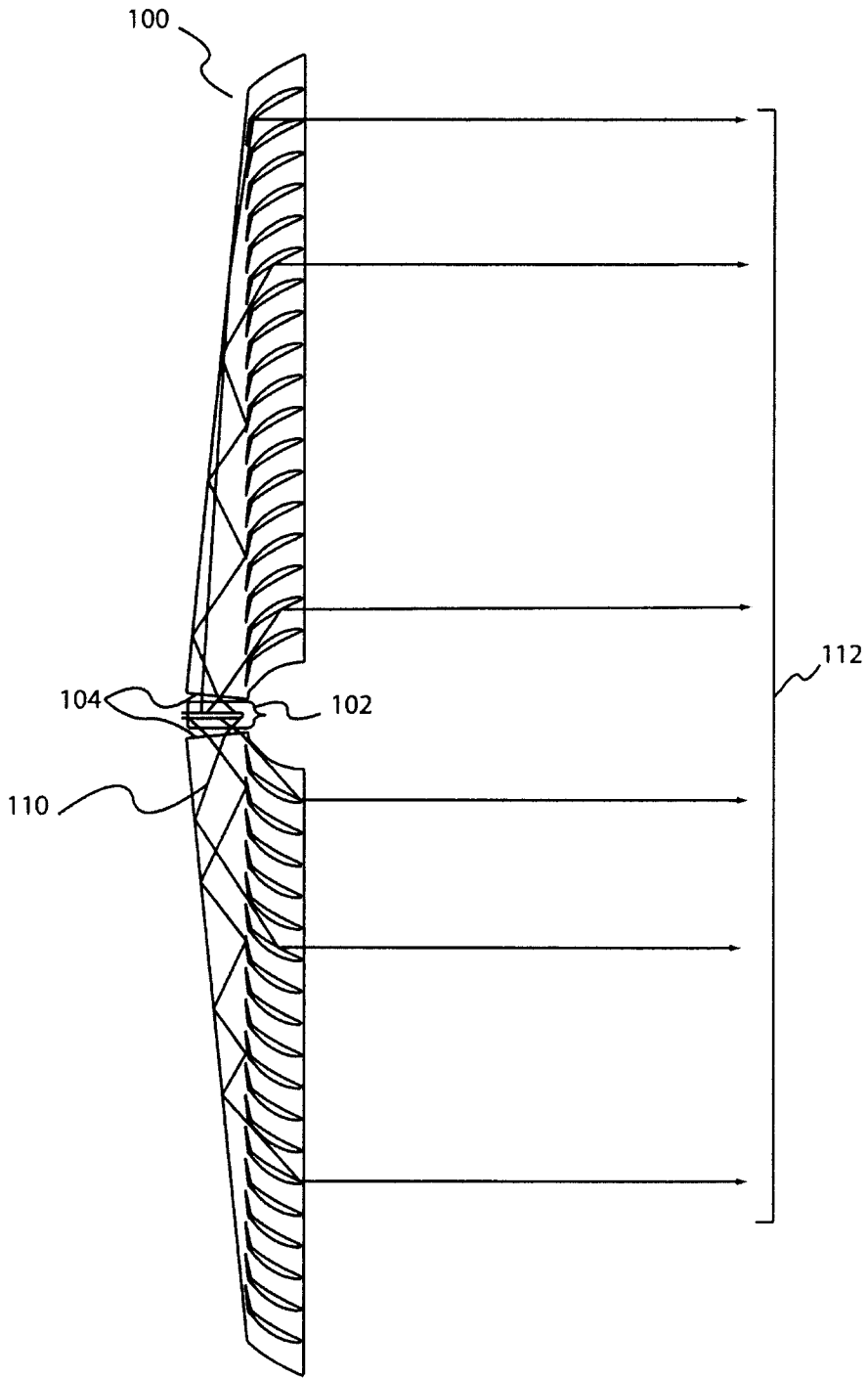


Fig. 3

4/22

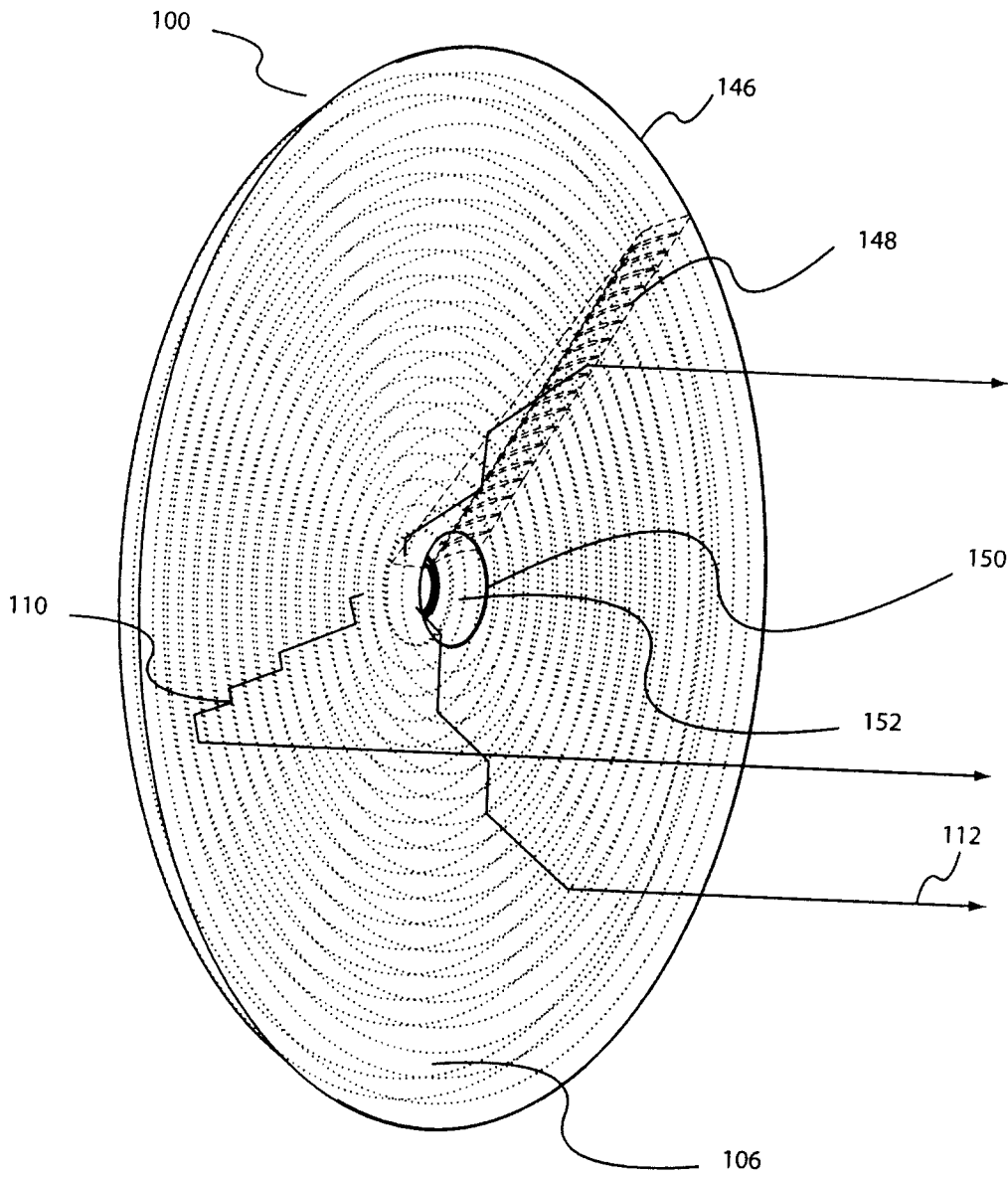
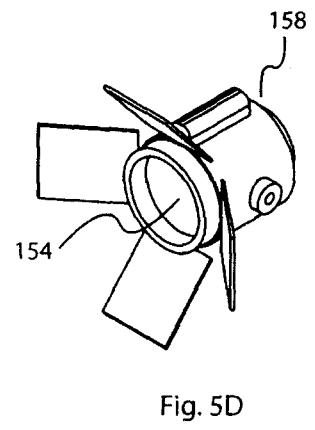
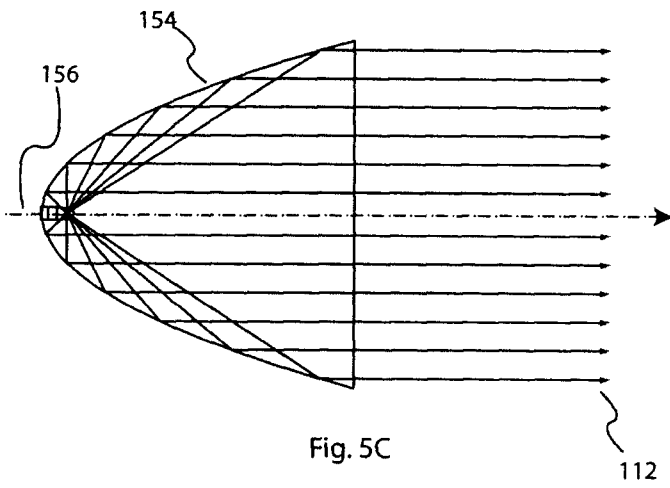
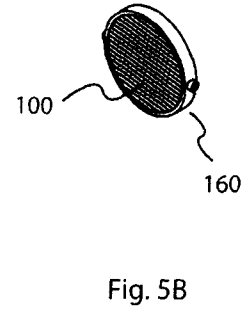
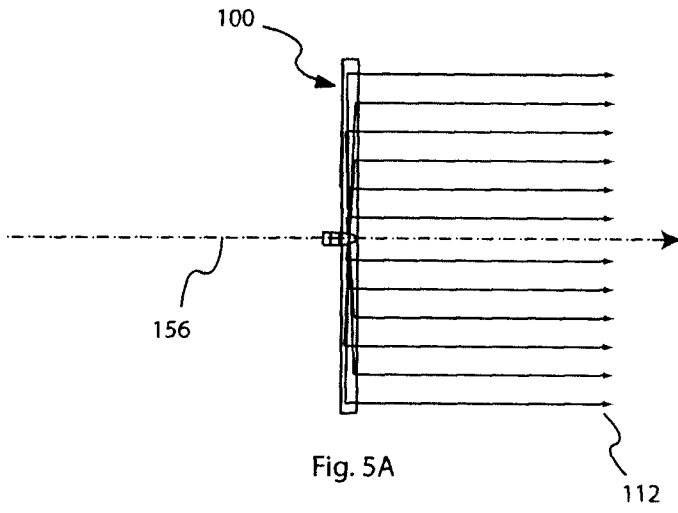


Fig. 4

5/22



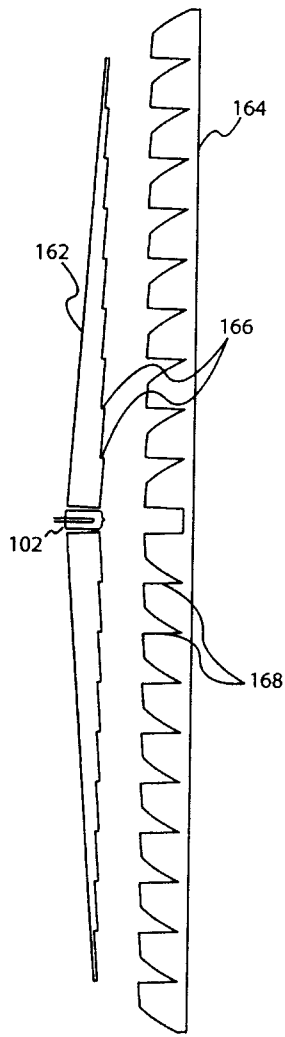


Fig. 6A

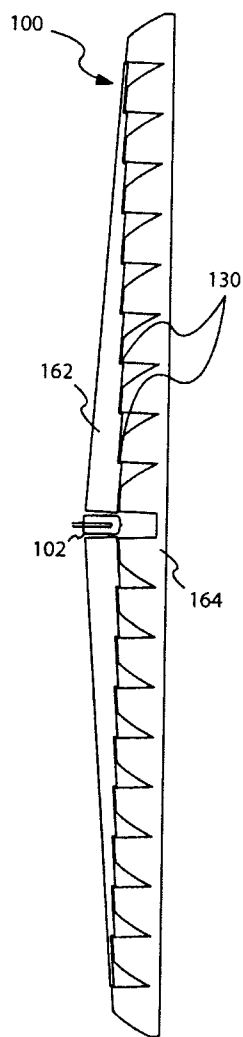


Fig. 6B

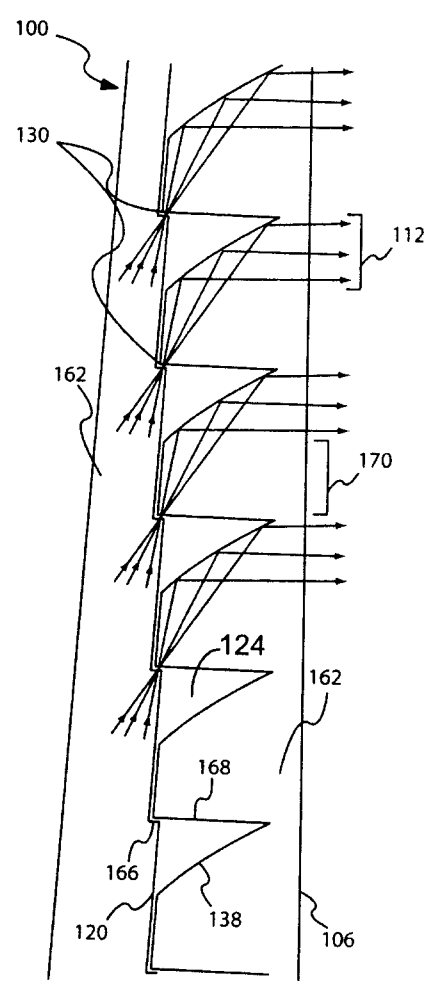


Fig. 6C

7/22

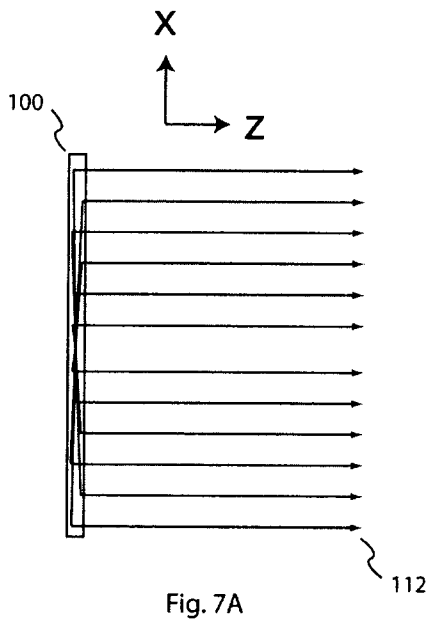


Fig. 7A

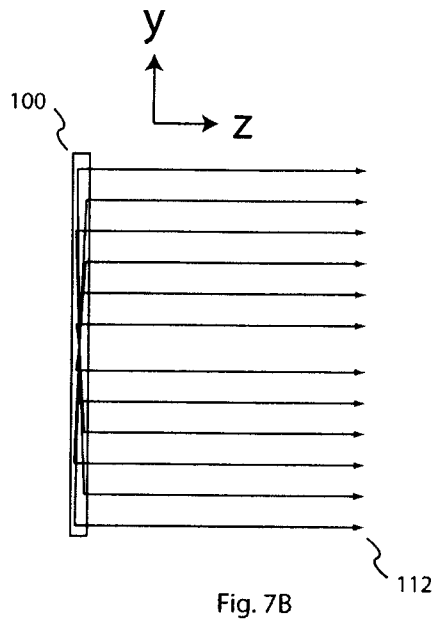


Fig. 7B

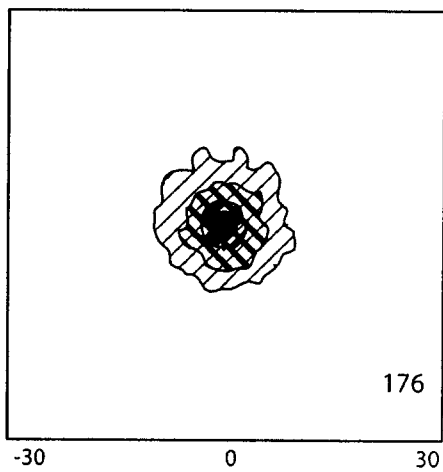


Fig. 7C

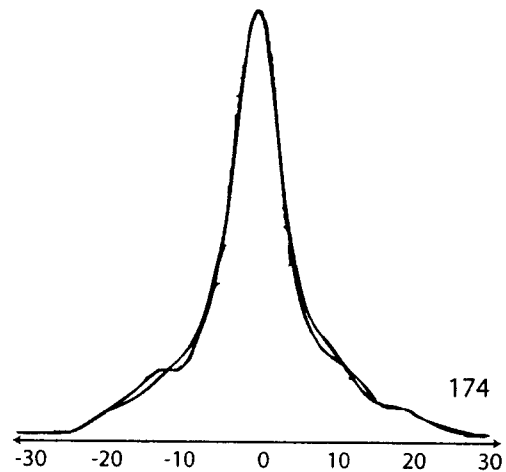


Fig. 7D

8/22

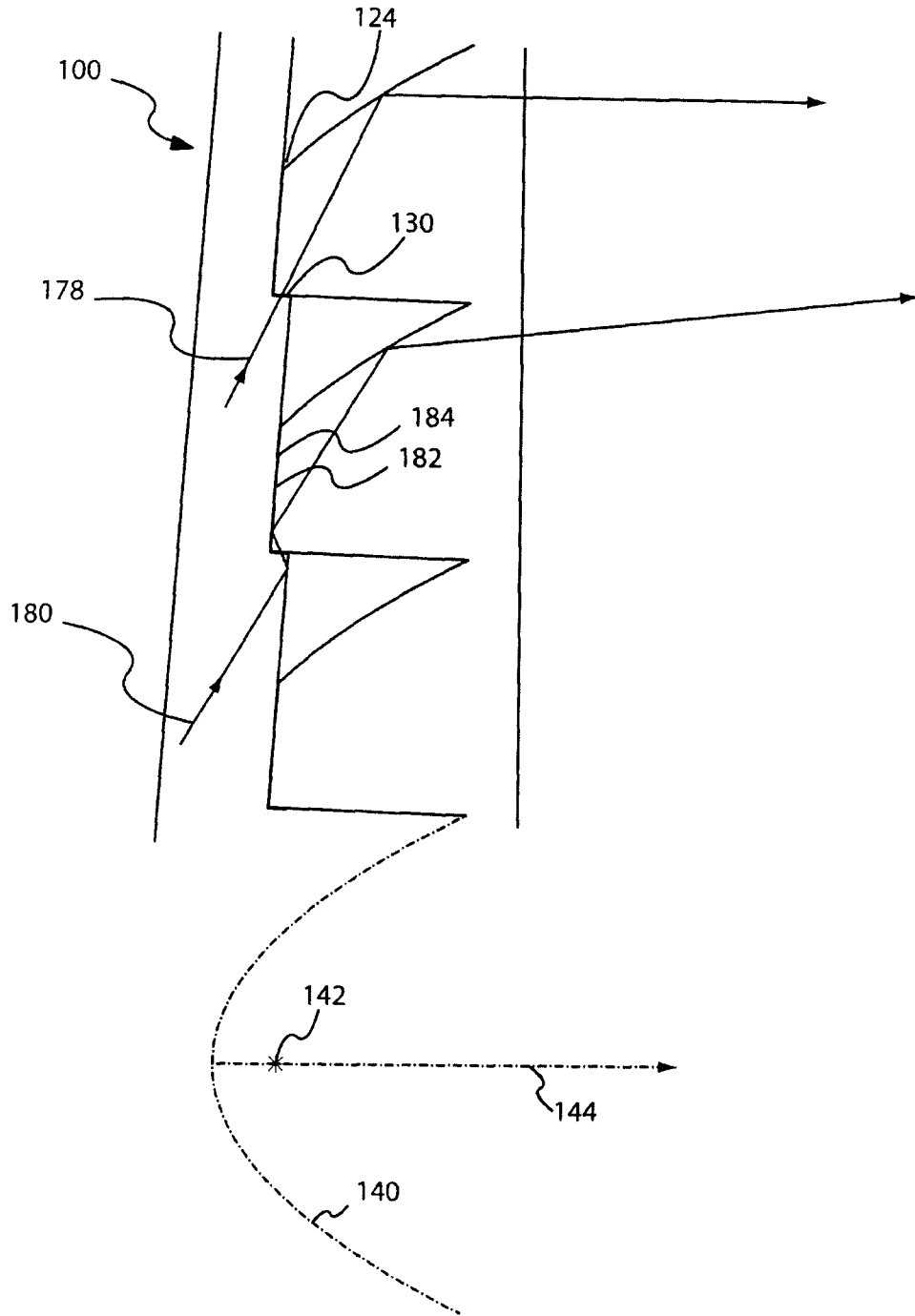


Fig. 8

9/22

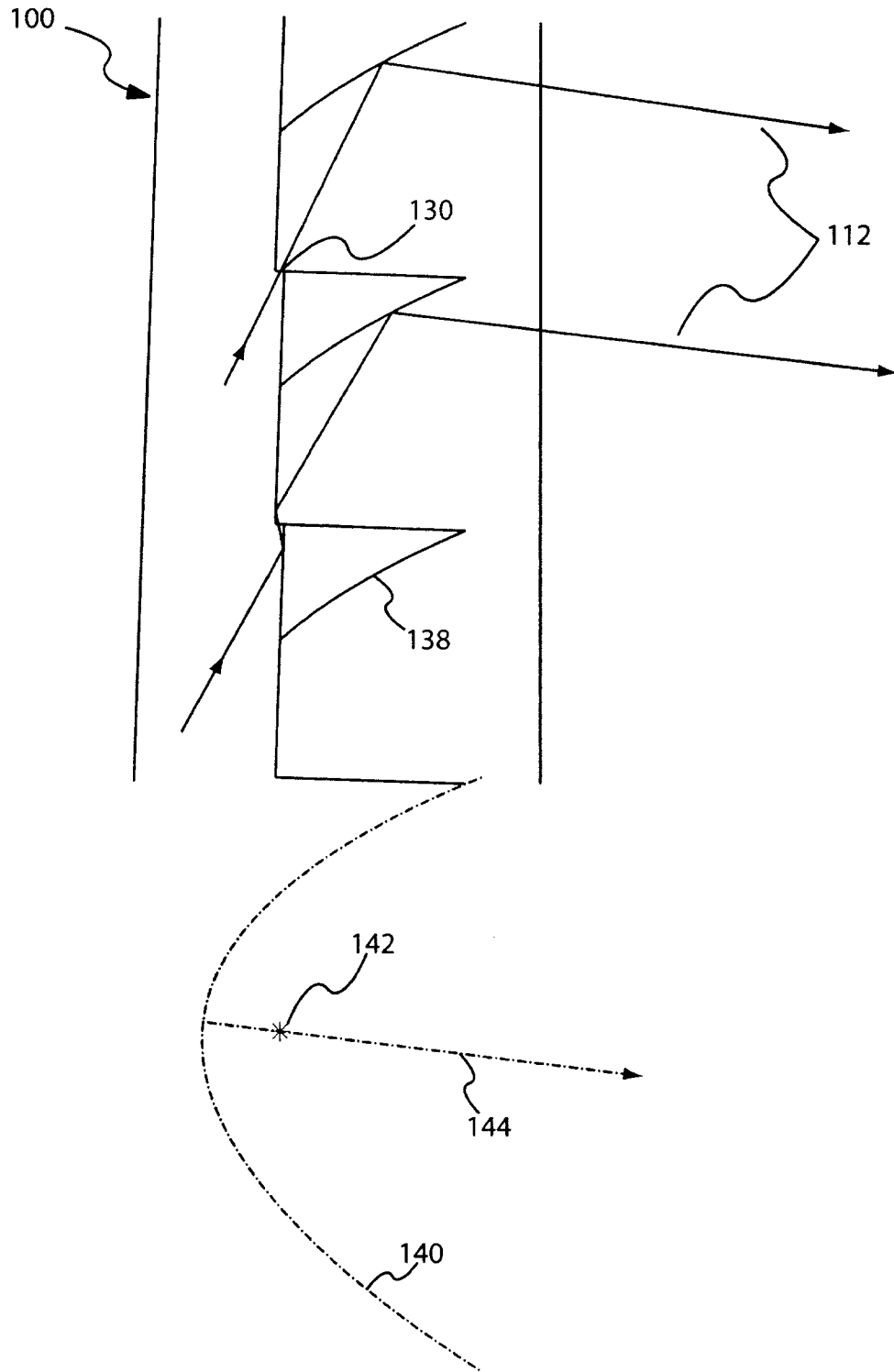


Fig. 9

10/22

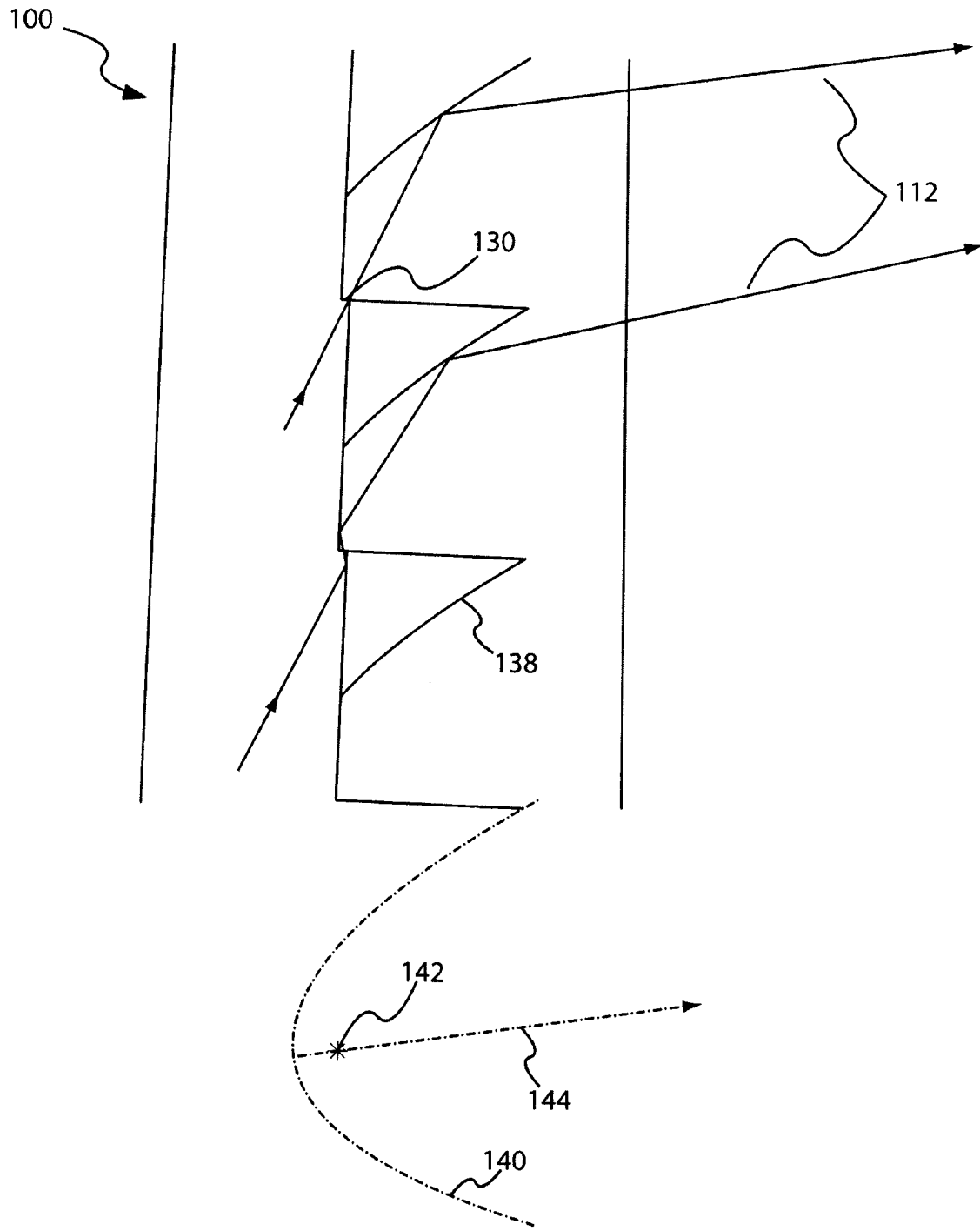


Fig. 10

11/22

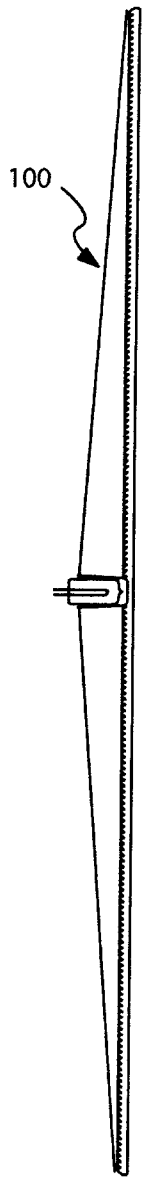


Fig 11A

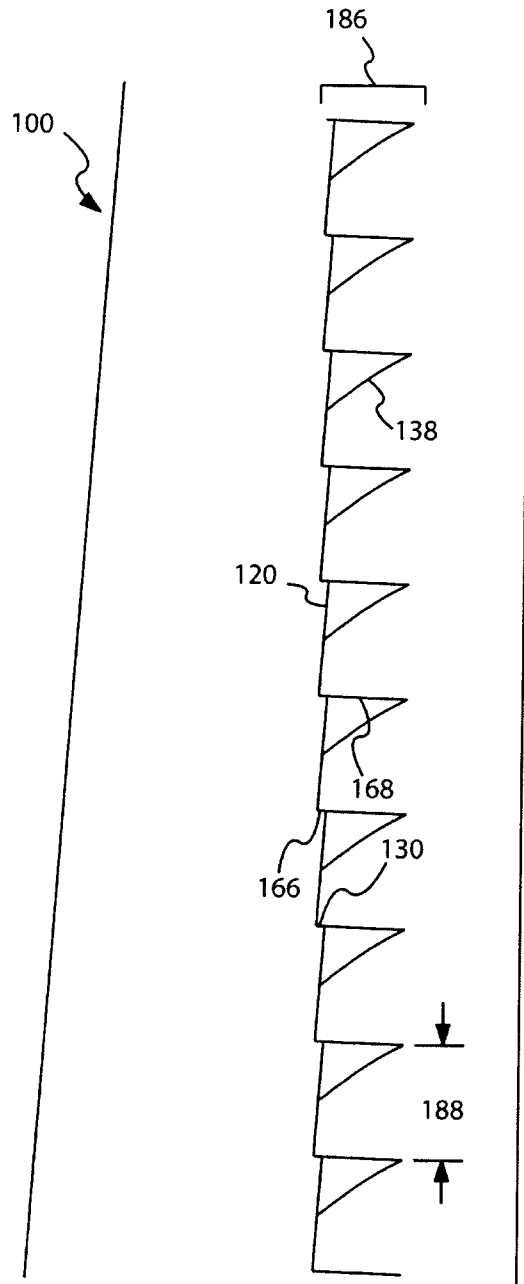


Fig 11B

12/22

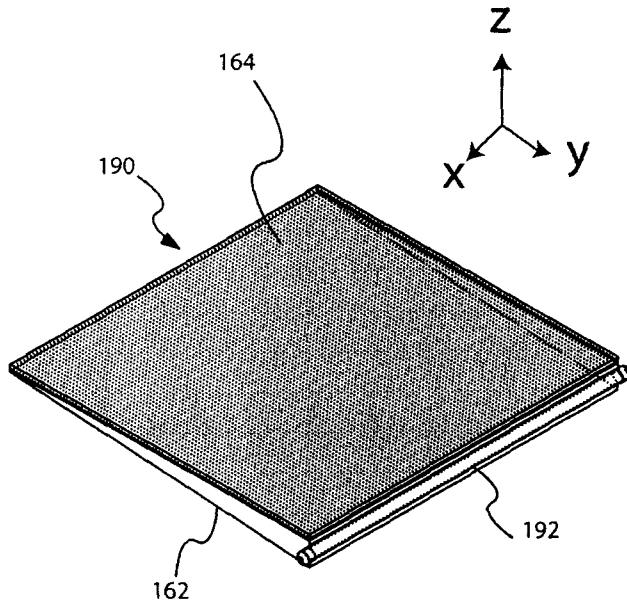


Fig 12A

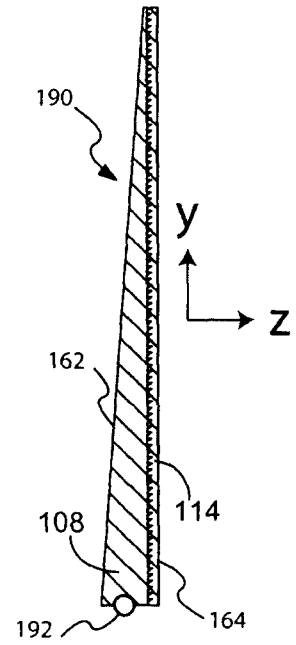


Fig 12B

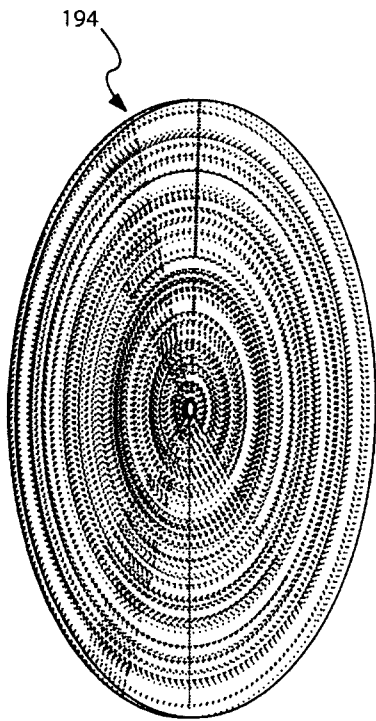


Fig. 13A

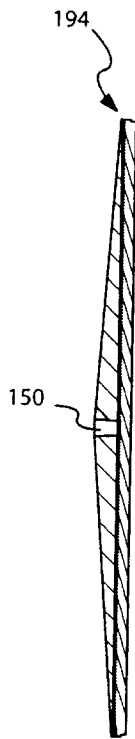


Fig. 13B

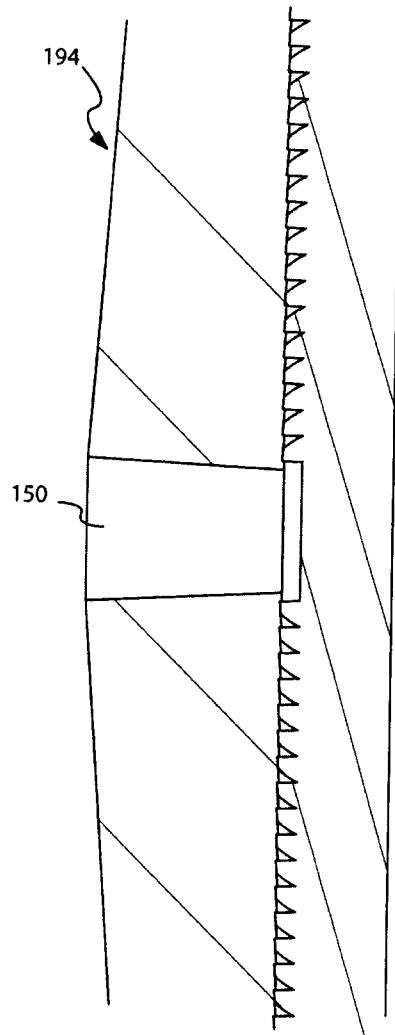
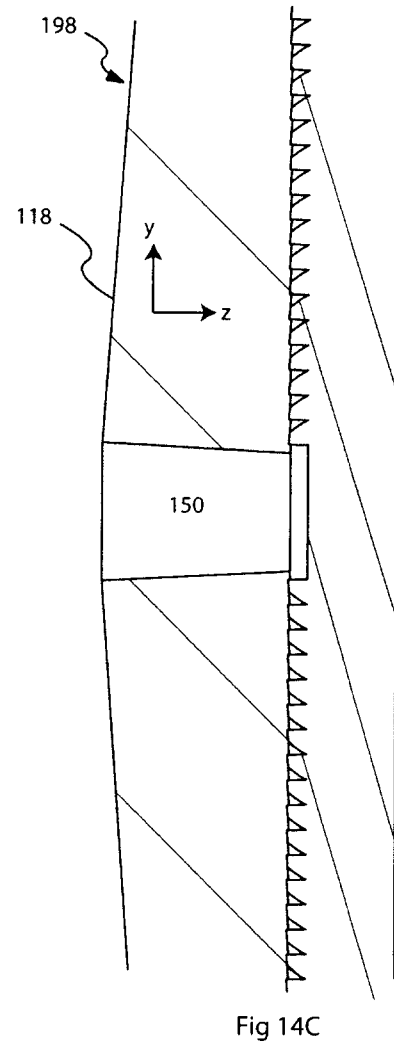
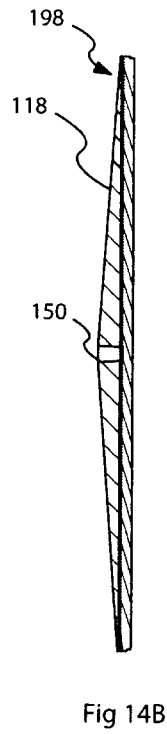
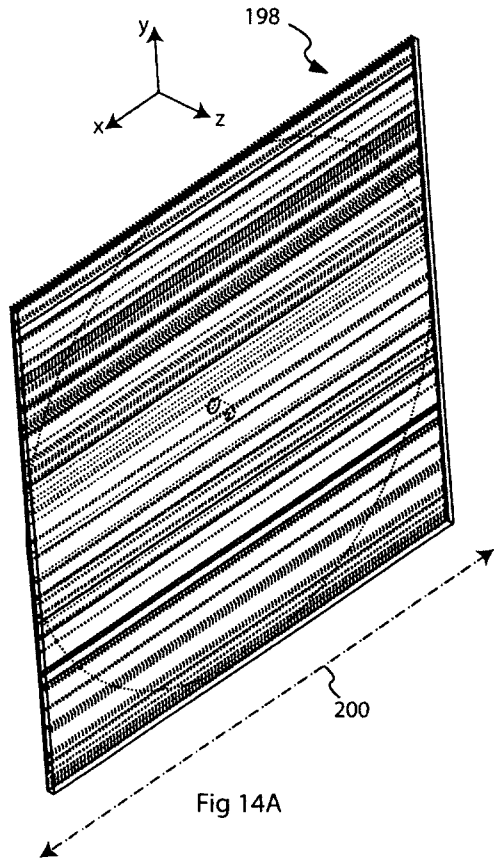


Fig. 13C



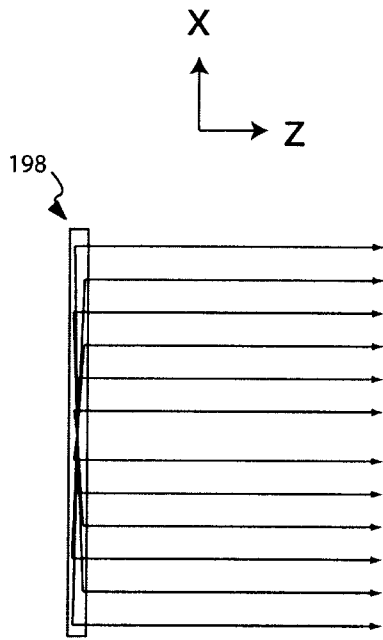


Fig. 15A

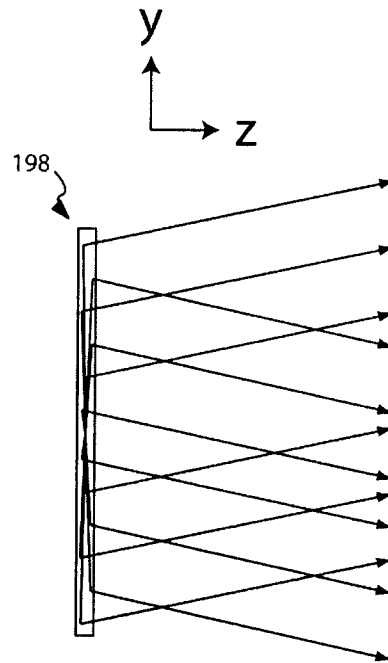


Fig. 15B

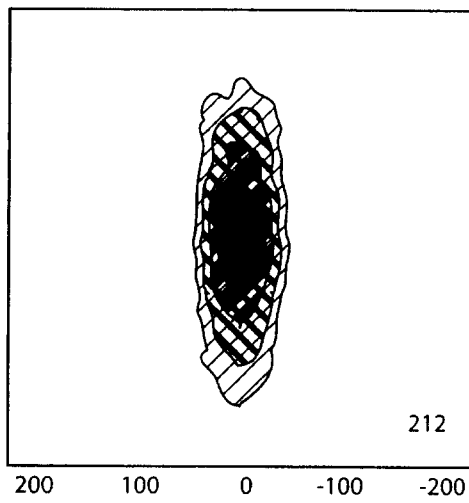


Fig. 15C

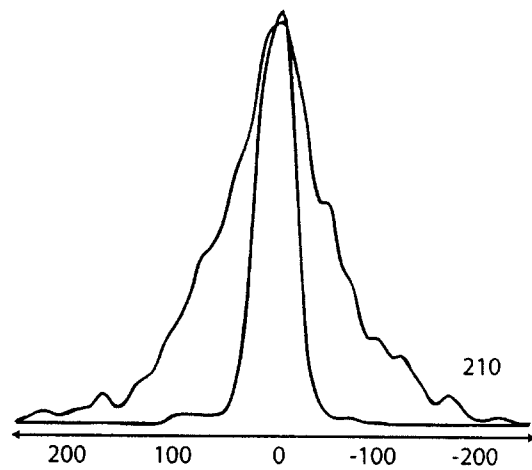


Fig. 15D

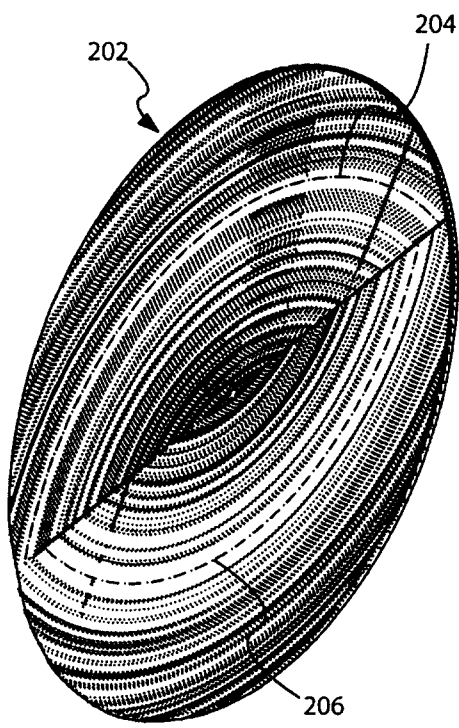


Fig 16A

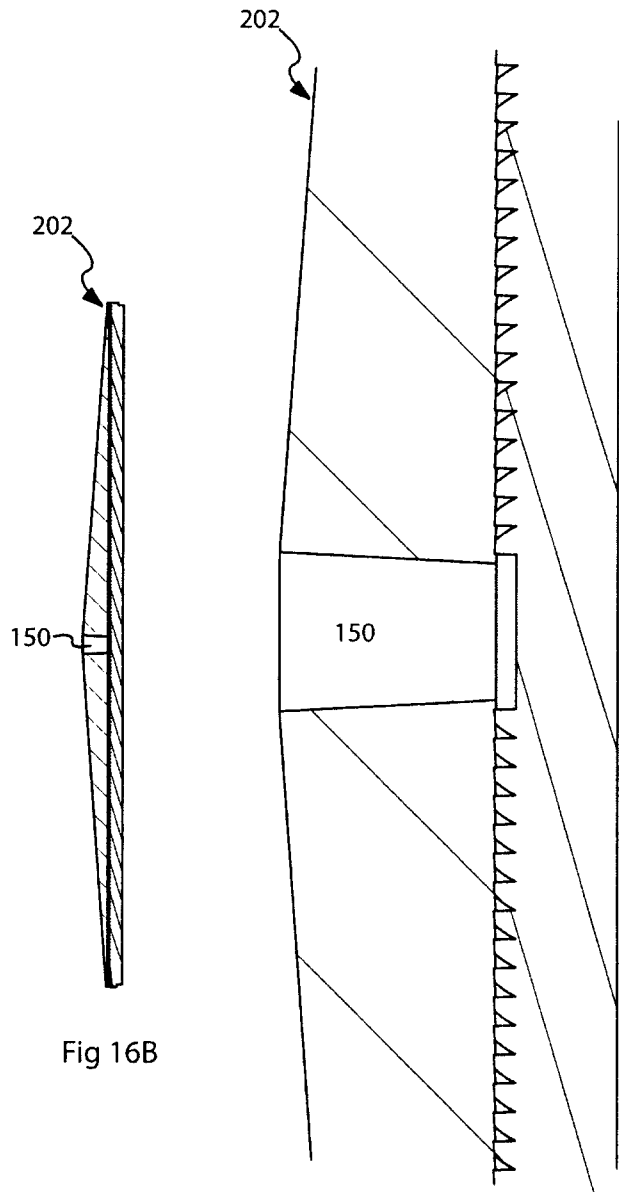


Fig 16B

Fig 16C

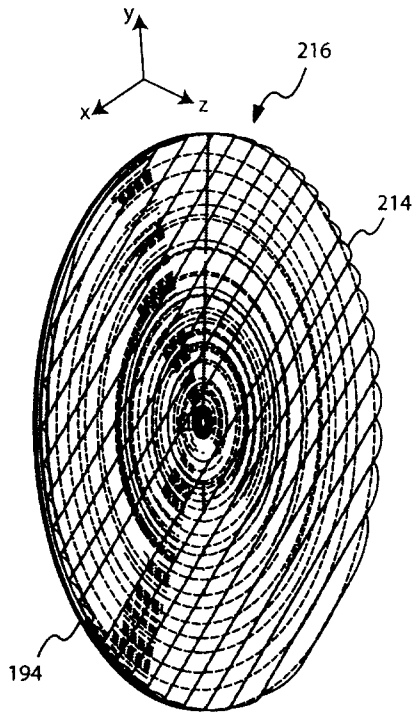


Fig 17A

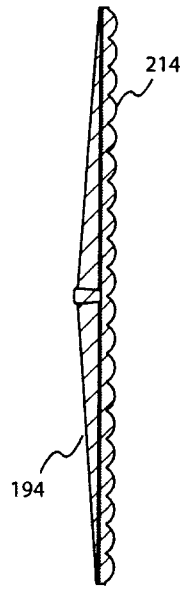


Fig 17B

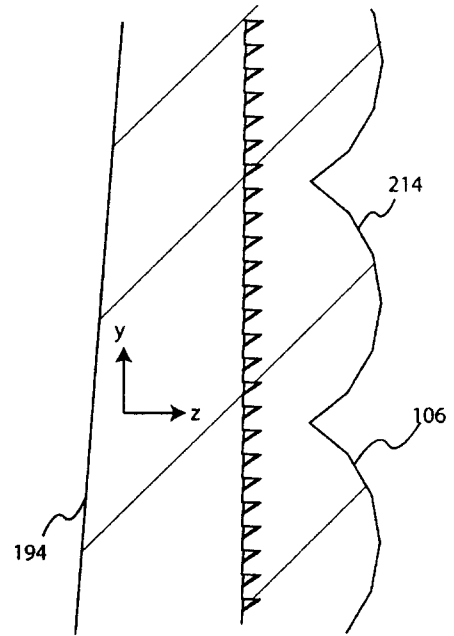


Fig 17C

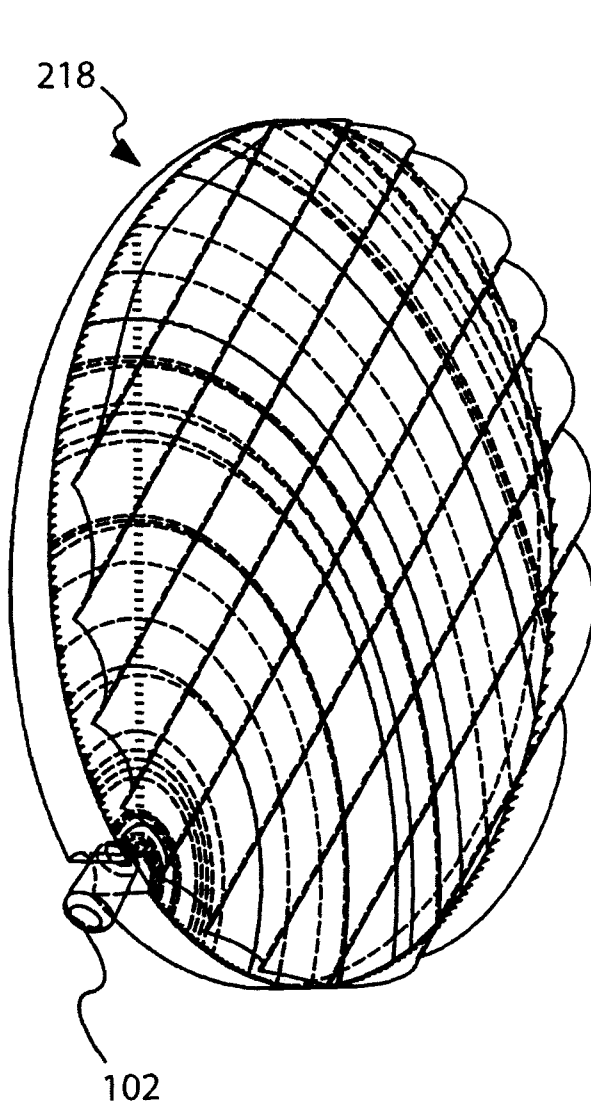


Fig 18A

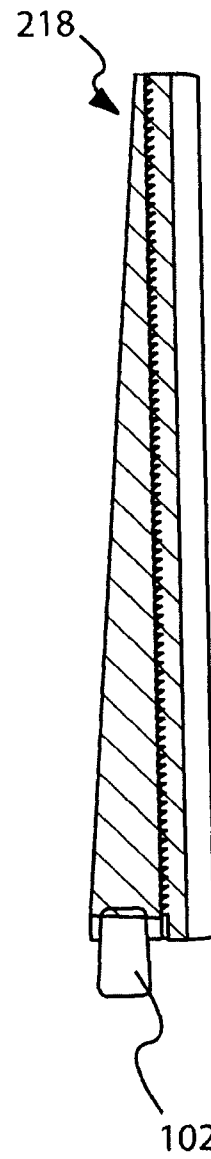


Fig 18B

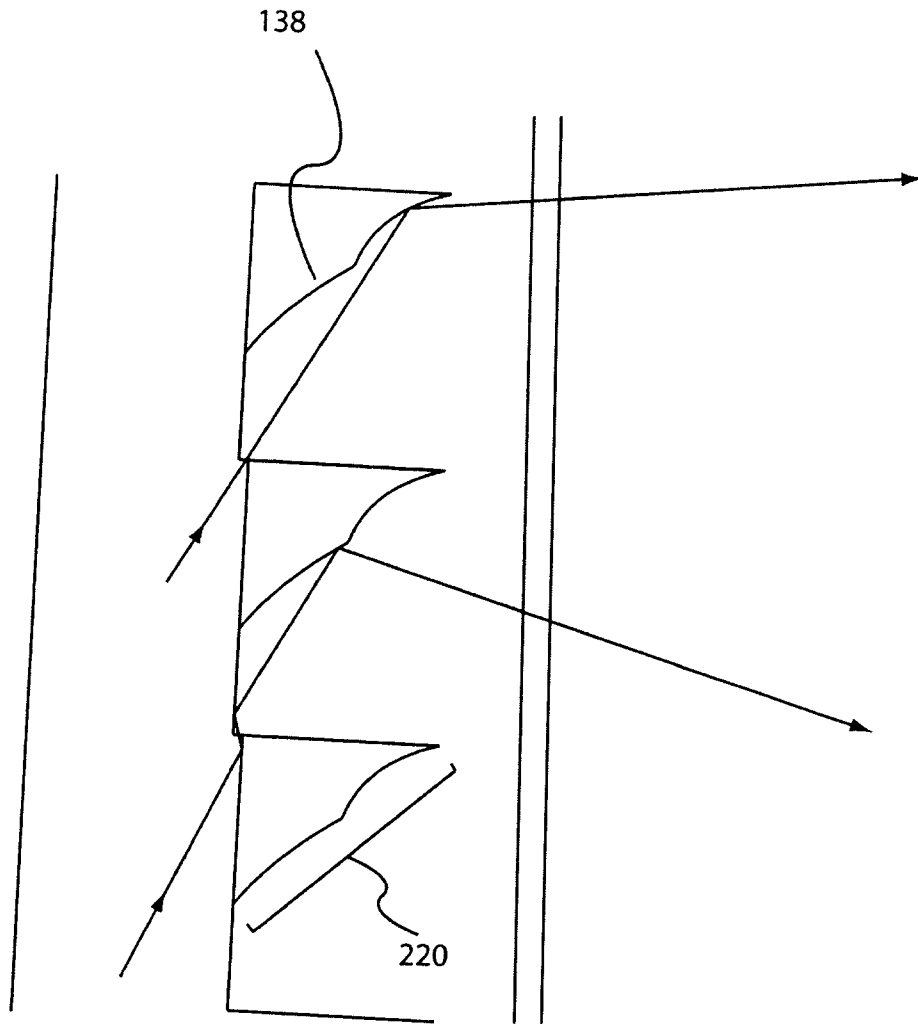


Fig. 19

20/22

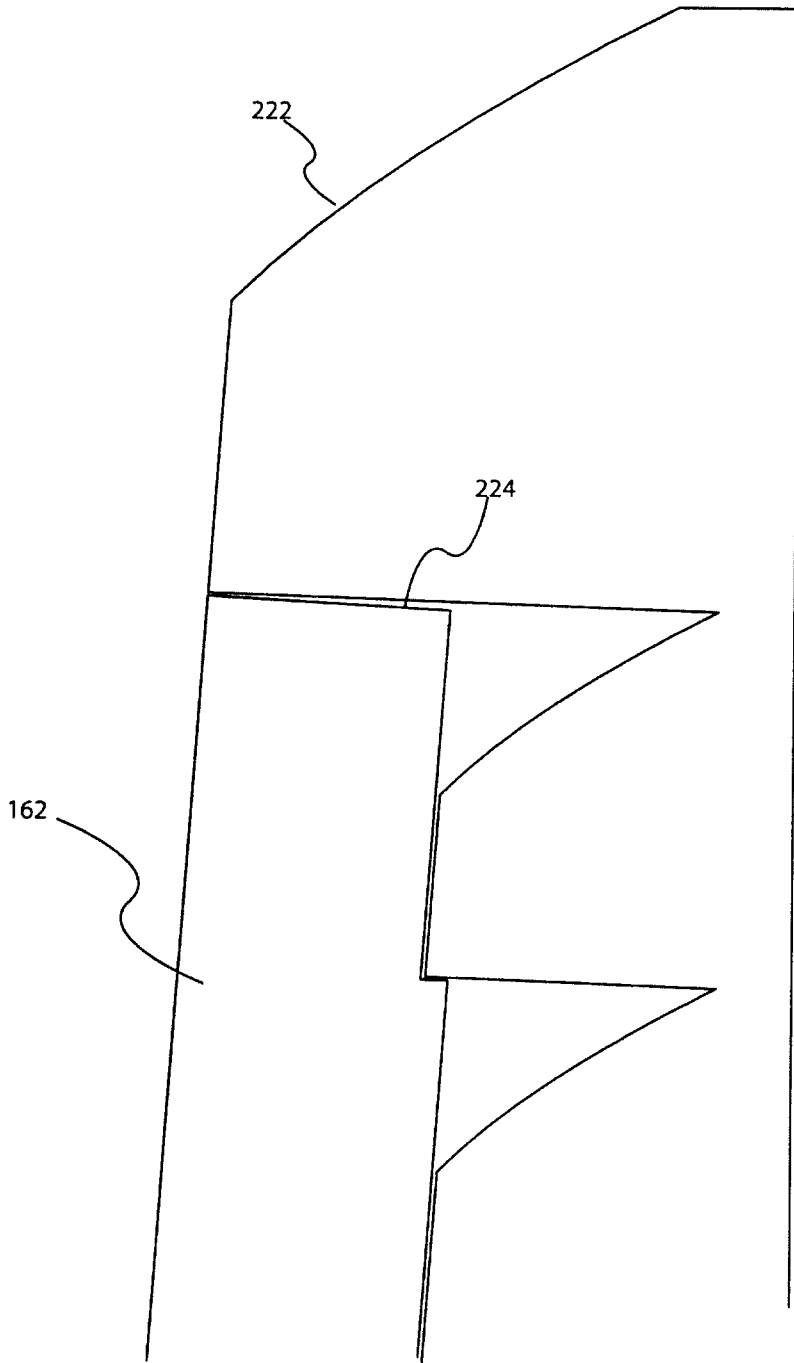


Fig 20

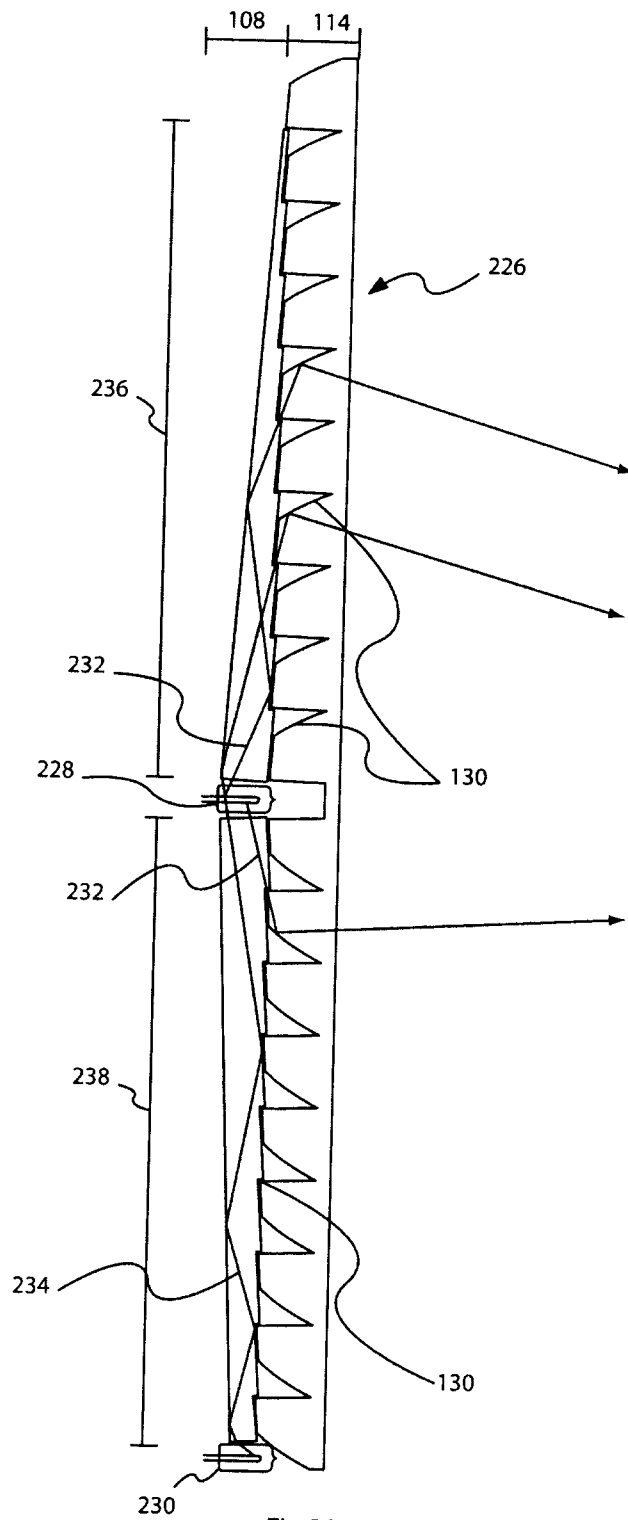


Fig 21

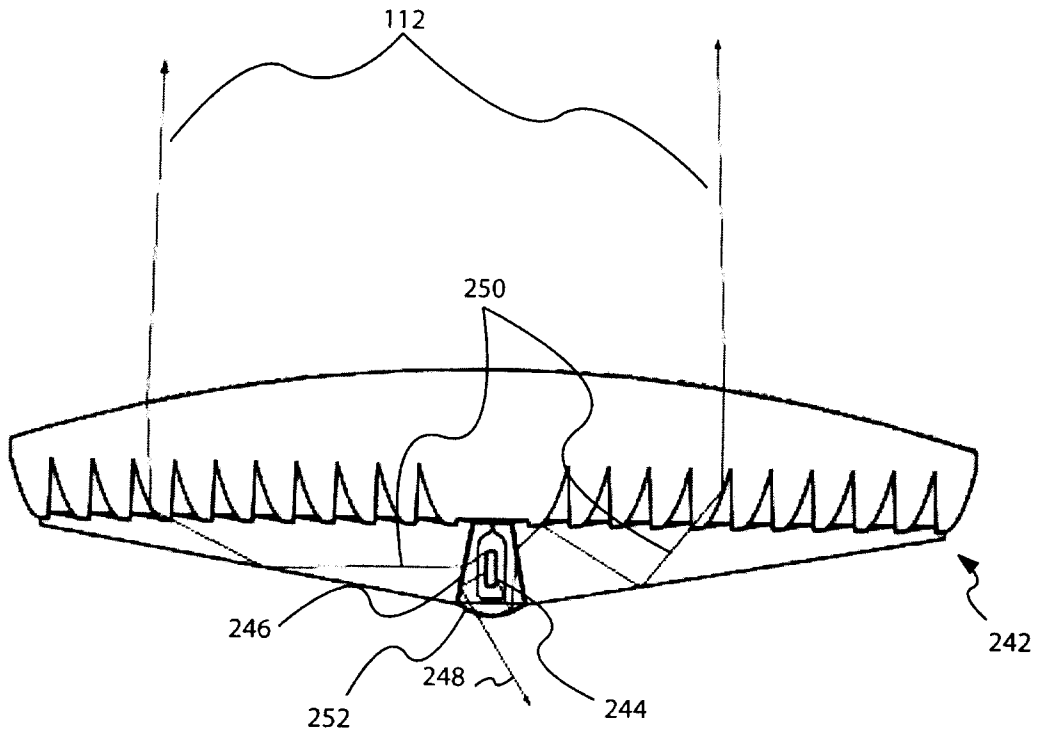


Fig 22

INTERNATIONAL SEARCH REPORT

International application No.
PCT/CA2008/000847

<p>A. CLASSIFICATION OF SUBJECT MATTER IPC: F21V 8/00 (2006.01) , F21V 13/02 (2006.01) , F21V 7/04 (2006.01) , F21S 8/10 (2006.01) According to International Patent Classification (IPC) or to both national classification and IPC</p>																				
<p>B. FIELDS SEARCHED</p> <p>Minimum documentation searched (classification system followed by classification symbols) IPC: F21V 8/00, F21V 13/02, F21V 7/04, F21S 8/10 US CL. 362/*</p> <p>Documentation searched other than minimum documentation to the extent that such documents are included in the fields searched</p> <p>Electronic database(s) consulted during the international search (name of database(s) and, where practicable, search terms used) CANADIAN PATENT DATABASE, DELPHION (all collections) ; (keywords: beam, aperture, light guide, waveguide, elongat*, two, guide, collimat*, reflector elements, illumination, light project*, project*, light, optical waveguide)</p>																				
<p>C. DOCUMENTS CONSIDERED TO BE RELEVANT</p> <table border="1" style="width:100%; border-collapse: collapse;"> <thead> <tr> <th style="width:10%;">Category*</th> <th style="width:60%;">Citation of document, with indication, where appropriate, of the relevant passages</th> <th style="width:30%;">Relevant to claim No.</th> </tr> </thead> <tbody> <tr> <td align="center">A</td> <td>WO 2006/010249 A1 (WHITEHEAD, L. A.) 02 February 2006 (02-02-2006) the entire document</td> <td align="center">1 to 20</td> </tr> <tr> <td align="center">A</td> <td>US 2003/0067760 A1 (JAGT, H. J. B. et al.) 10 April 2003 (10-04-2003) the entire document</td> <td align="center">1 to 20</td> </tr> <tr> <td align="center">A</td> <td>US 2006/0077692 A1 (NOH, J-W. et al.) 13 April 2006 (13-04-2006) the entire document</td> <td align="center">1 to 20</td> </tr> <tr> <td align="center">A</td> <td>US 2005/0254259 A1 (YAMASHITA, T. et al.) 17 November 2005 (17-11-2005) the entire document</td> <td align="center">1 to 20</td> </tr> <tr> <td align="center">A</td> <td>US 6570710 B1 (NILSEN, R. B. et al.) 27 May 2003 (27-05-2003) the entire document</td> <td align="center">1 to 20</td> </tr> </tbody> </table>			Category*	Citation of document, with indication, where appropriate, of the relevant passages	Relevant to claim No.	A	WO 2006/010249 A1 (WHITEHEAD, L. A.) 02 February 2006 (02-02-2006) the entire document	1 to 20	A	US 2003/0067760 A1 (JAGT, H. J. B. et al.) 10 April 2003 (10-04-2003) the entire document	1 to 20	A	US 2006/0077692 A1 (NOH, J-W. et al.) 13 April 2006 (13-04-2006) the entire document	1 to 20	A	US 2005/0254259 A1 (YAMASHITA, T. et al.) 17 November 2005 (17-11-2005) the entire document	1 to 20	A	US 6570710 B1 (NILSEN, R. B. et al.) 27 May 2003 (27-05-2003) the entire document	1 to 20
Category*	Citation of document, with indication, where appropriate, of the relevant passages	Relevant to claim No.																		
A	WO 2006/010249 A1 (WHITEHEAD, L. A.) 02 February 2006 (02-02-2006) the entire document	1 to 20																		
A	US 2003/0067760 A1 (JAGT, H. J. B. et al.) 10 April 2003 (10-04-2003) the entire document	1 to 20																		
A	US 2006/0077692 A1 (NOH, J-W. et al.) 13 April 2006 (13-04-2006) the entire document	1 to 20																		
A	US 2005/0254259 A1 (YAMASHITA, T. et al.) 17 November 2005 (17-11-2005) the entire document	1 to 20																		
A	US 6570710 B1 (NILSEN, R. B. et al.) 27 May 2003 (27-05-2003) the entire document	1 to 20																		
<p><input type="checkbox"/> Further documents are listed in the continuation of Box C. <input checked="" type="checkbox"/> See patent family annex.</p>																				
*	Special categories of cited documents :	“T” later document published after the international filing date or priority date and not in conflict with the application but cited to understand the principle or theory underlying the invention																		
“A”	document defining the general state of the art which is not considered to be of particular relevance	“X” document of particular relevance; the claimed invention cannot be considered novel or cannot be considered to involve an inventive step when the document is taken alone																		
“E”	earlier application or patent but published on or after the international filing date	“Y” document of particular relevance; the claimed invention cannot be considered to involve an inventive step when the document is combined with one or more other such documents, such combination being obvious to a person skilled in the art																		
“L”	document which may throw doubts on priority claim(s) or which is cited to establish the publication date of another citation or other special reason (as specified)	“&” document member of the same patent family																		
“O”	document referring to an oral disclosure, use, exhibition or other means																			
“P”	document published prior to the international filing date but later than the priority date claimed																			
<p>Date of the actual completion of the international search 13 August 2008 (13-08-2008)</p>		<p>Date of mailing of the international search report 19 August 2008 (19-08-2008)</p>																		
<p>Name and mailing address of the ISA/CA Canadian Intellectual Property Office Place du Portage I, C114 - 1st Floor, Box PCT 50 Victoria Street Gatineau, Quebec K1A 0C9 Facsimile No.: 001-819-953-2476</p>		<p>Authorized officer Malgorzata Samborski 819- 956-0759</p>																		

INTERNATIONAL SEARCH REPORT
Information on patent family members

International application No.
PCT/CA2008/000847

Patent Document Cited in Search Report	Publication Date	Patent Family Member(s)	Publication Date
WO2006010249 A1	02-02-2006	CA2573689 A1	02-02-2006
		CN101057162 A	17-10-2007
		EP1779153 A1	02-05-2007
		JP2008507737T	13-03-2008
		KR20070049147 A	10-05-2007
		US2007268461 A1	22-11-2007
US2003067760 A1	10-04-2003	CN1559000 A	29-12-2004
		EP1432949 A1	30-06-2004
		JP2005504413T	10-02-2005
		US6750996 B2	15-06-2004
		WO03027569 A1	03-04-2003
US2006077692 A1	13-04-2006	KR20060028577 A	30-03-2006
		NL1029980 A1	29-03-2006
US2005254259 A1	17-11-2005	CN1662830 A	31-08-2005
		TW594108B B	21-06-2004
		US7220038 B2	22-05-2007
		WO2004019082 A1	04-03-2004
US6570710 B1	27-05-2003	CN1278139C C	04-10-2006
		EP1248958 A2	16-10-2002
		JP2003518263T	03-06-2003
		US6356389 B1	12-03-2002
		US6891677 B2	10-05-2005
		WO0135128 A2	17-05-2001