



US00D752665S

(12) **United States Design Patent**  
**Kindig et al.**

(10) **Patent No.:** **US D752,665 S**

(45) **Date of Patent:** **\*\* Mar. 29, 2016**

(54) **WELDER ENCLOSURE**

(71) Applicant: **Lincoln Global, Inc.**, City of Industry, CA (US)

(72) Inventors: **Michael A. Kindig**, Chagrin Falls, OH (US); **Bruce Chantry**, Solon, OH (US); **Joshuah Zaller**, Chardon, OH (US)

(73) Assignee: **LINCOLN GLOBAL, INC.**, City of Industry, CA (US)

(\*\*) Term: **14 Years**

(21) Appl. No.: **29/514,436**

(22) Filed: **Jan. 13, 2015**

(51) **LOC (10) Cl.** ..... **15-09**

(52) **U.S. Cl.**  
USPC ..... **D15/144**

(58) **Field of Classification Search**  
USPC ..... D8/29.1, 30; D13/123, 133; D15/144, D15/144.1, 144.2  
See application file for complete search history.

(56) **References Cited**

U.S. PATENT DOCUMENTS

D243,459 S *	2/1977	Bliss	.....	D15/144
D342,159 S *	12/1993	Daouk	.....	D3/272
D357,263 S *	4/1995	Soderholm	.....	D15/144.2
D357,927 S *	5/1995	Soderholm	.....	D15/144.1
D377,335 S *	1/1997	Katooka	.....	D13/110
D386,148 S *	11/1997	Katooka	.....	D13/110
5,734,148 A *	3/1998	Latvis	.....	B23K 9/32 219/133
D416,030 S *	11/1999	Weller	.....	D15/144.1
D467,257 S *	12/2002	Andersson	.....	D15/144
D518,078 S *	3/2006	Persson	.....	D15/144.1
D569,883 S *	5/2008	Wang	.....	D15/144
D569,884 S *	5/2008	Shu	.....	D15/144
D611,074 S *	3/2010	Bashore	.....	D15/144

D626,576 S *	11/2010	Gramatyka	.....	D15/144
D654,519 S *	2/2012	Wujczak	.....	D15/144
D665,833 S *	8/2012	Raymond	.....	D15/144
D679,738 S *	4/2013	Segala	.....	D15/144
D699,771 S *	2/2014	Barrett	.....	D15/144
8,841,583 B2 *	9/2014	Albrecht	.....	B23K 9/1006 219/130.1
D741,385 S *	10/2015	Evans	.....	D15/144
2005/0212299 A1 *	9/2005	Wang	.....	F01P 5/02 290/1 A
2006/0027547 A1 *	2/2006	Silvestro	.....	B23K 9/323 219/133

\* cited by examiner

*Primary Examiner* — Patricia Palasik

(74) *Attorney, Agent, or Firm* — Pearne & Gordon LLP

(57) **CLAIM**

The ornamental design for a welder enclosure, as shown and described.

**DESCRIPTION**

FIG. 1 is a front isometric view of a welder enclosure showing our new design, with a front tool compartment door in a closed position;

FIG. 2 is a front isometric view thereof, with the front tool compartment door in an open position;

FIG. 3 is a rear isometric view thereof, with a rear tool compartment door in a closed position;

FIG. 4 is a rear isometric view thereof, with the rear tool compartment door in an open position;

FIG. 5 is a front elevation view thereof;

FIG. 6 is a rear elevation view thereof;

FIG. 7 is a left side elevation view thereof;

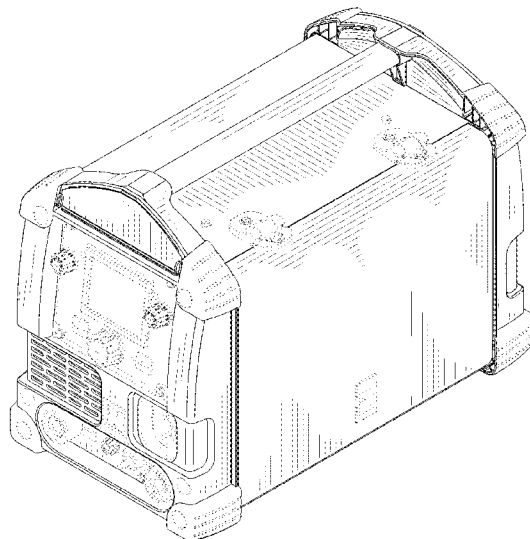
FIG. 8 is a right side elevation view thereof;

FIG. 9 is a top view thereof; and,

FIG. 10 is a bottom view thereof.

The broken lines are for illustrative purposes only and form no part of the claimed design.

**1 Claim, 10 Drawing Sheets**



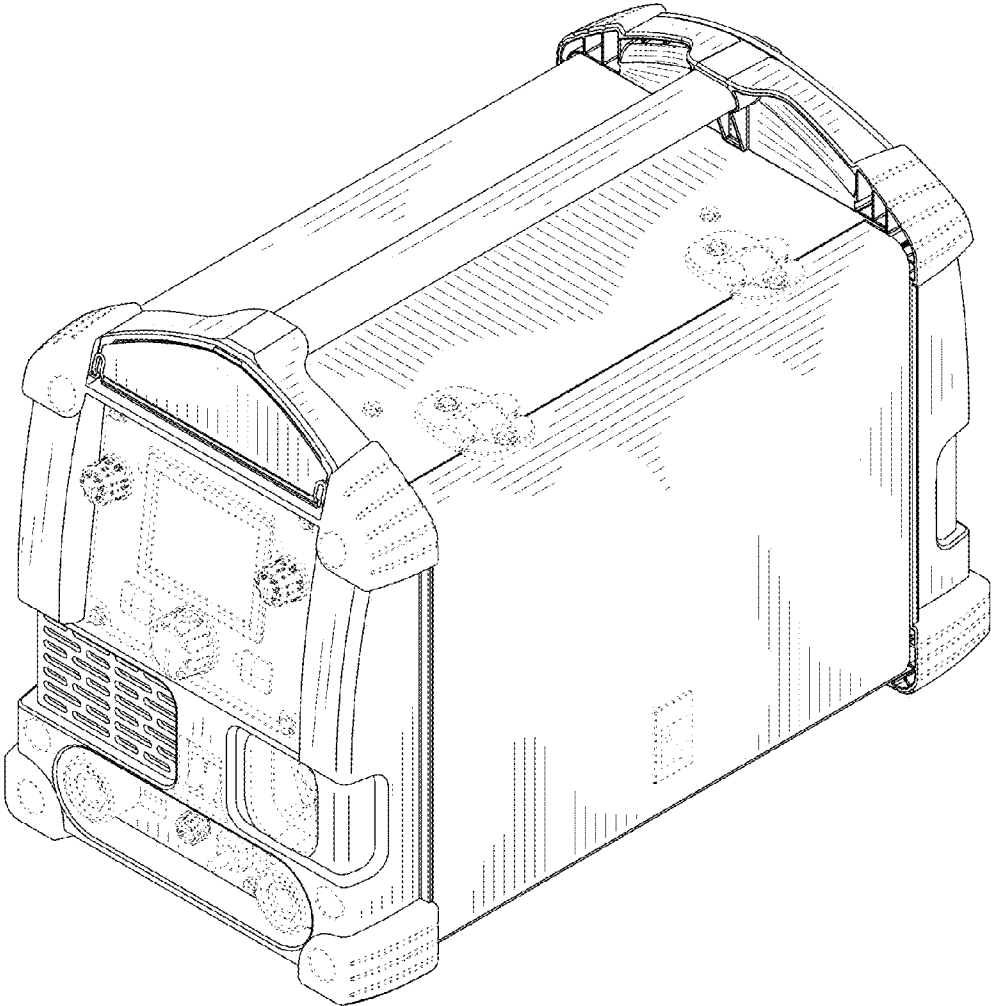


FIG. 1

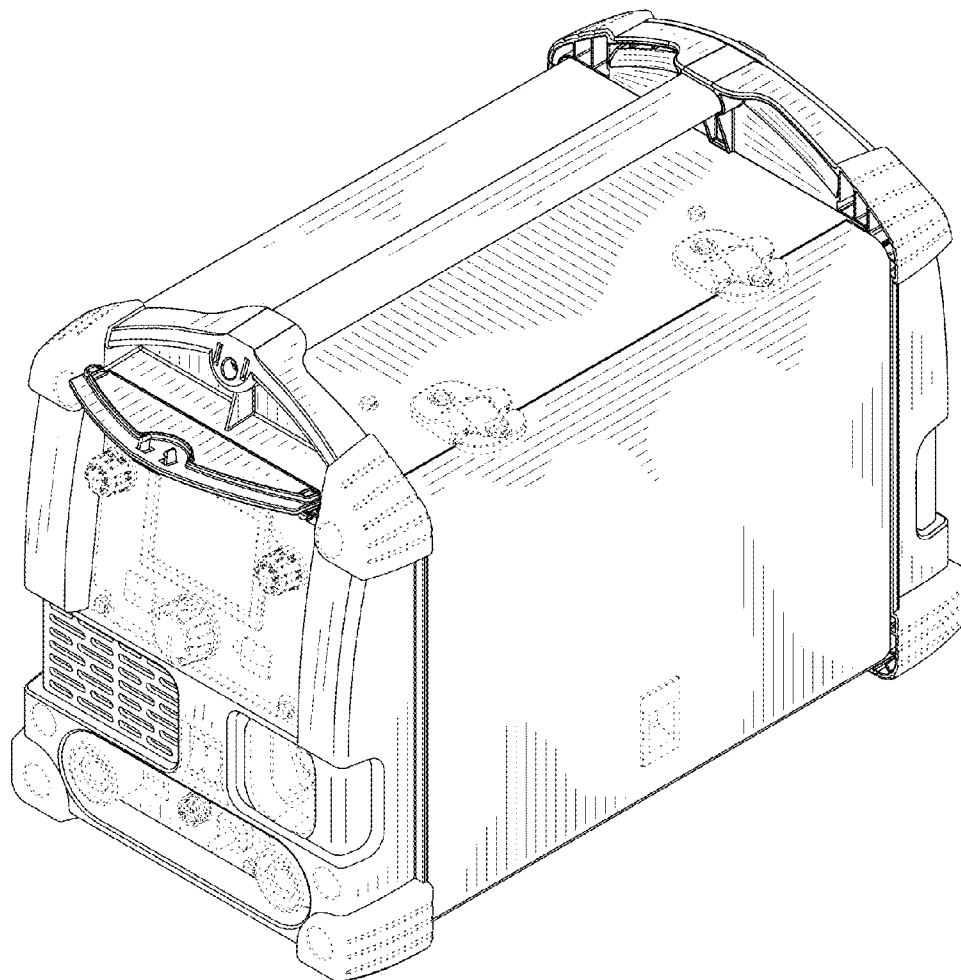


FIG. 2

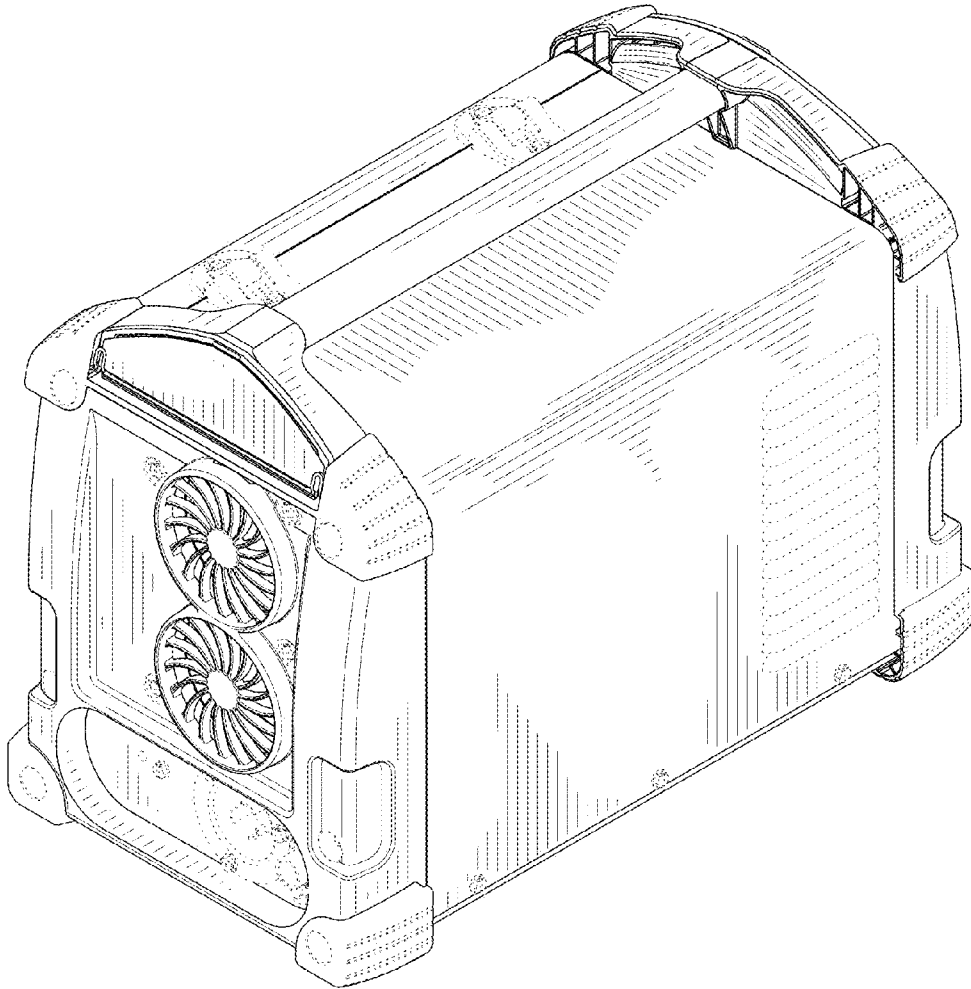


FIG. 3

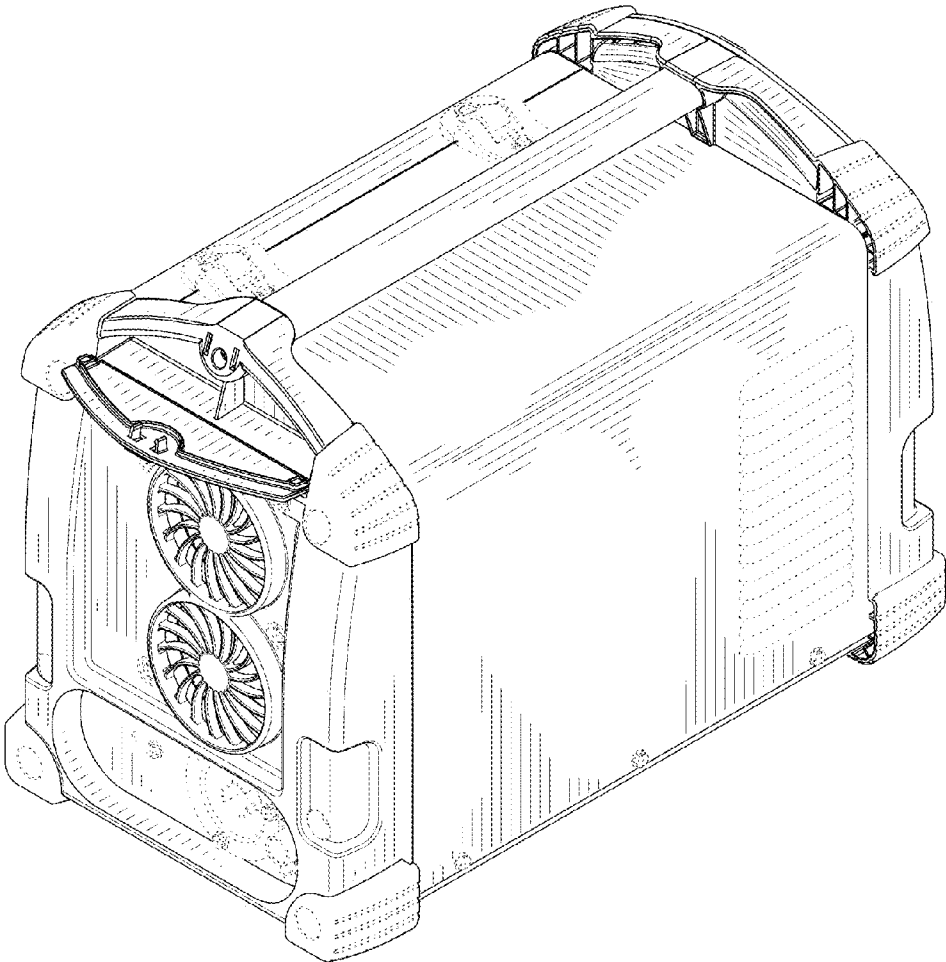


FIG. 4

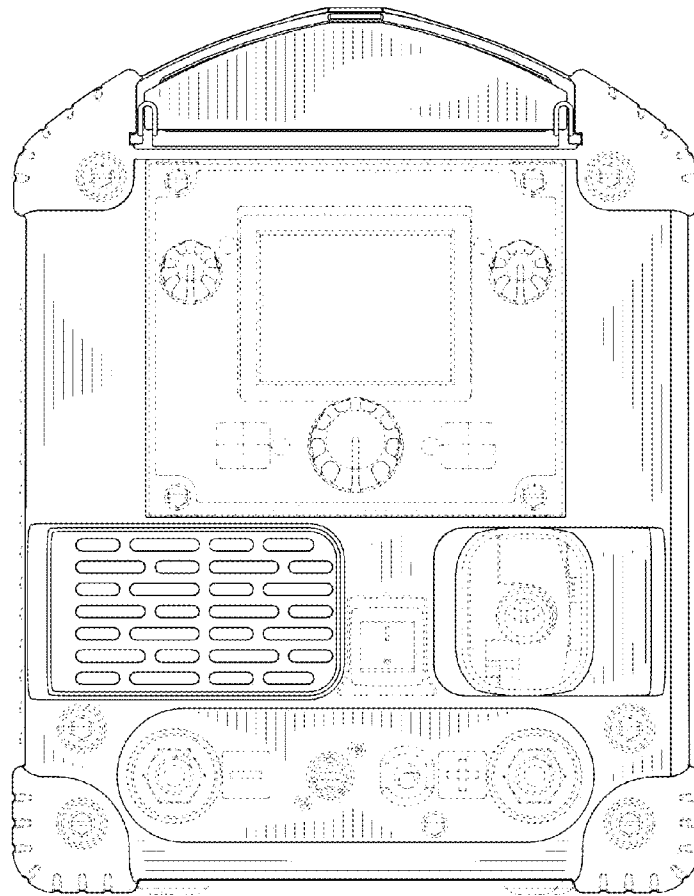


FIG. 5

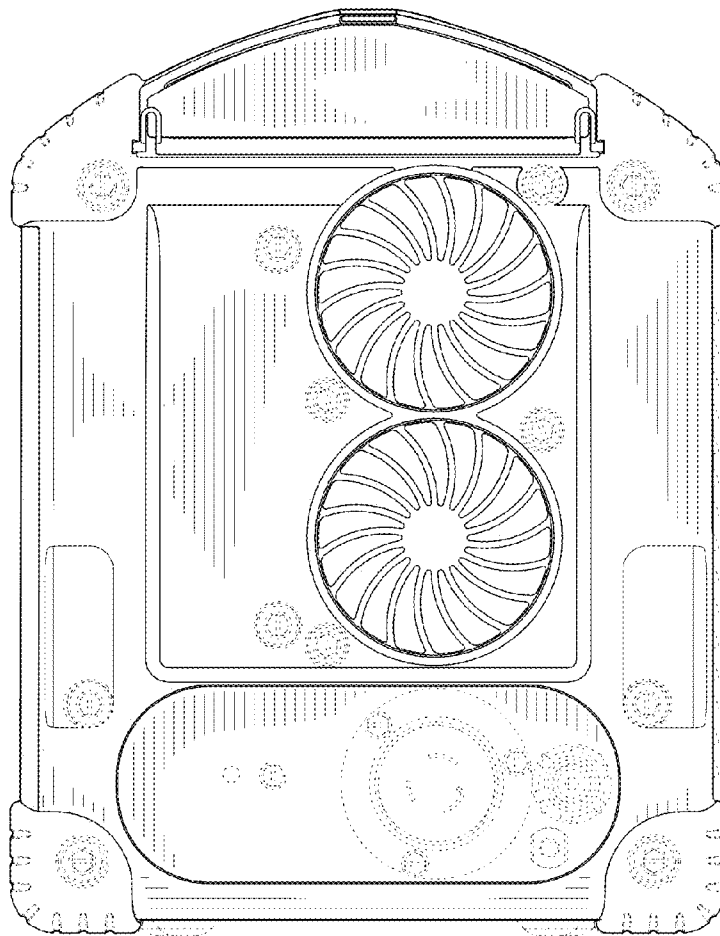


FIG. 6

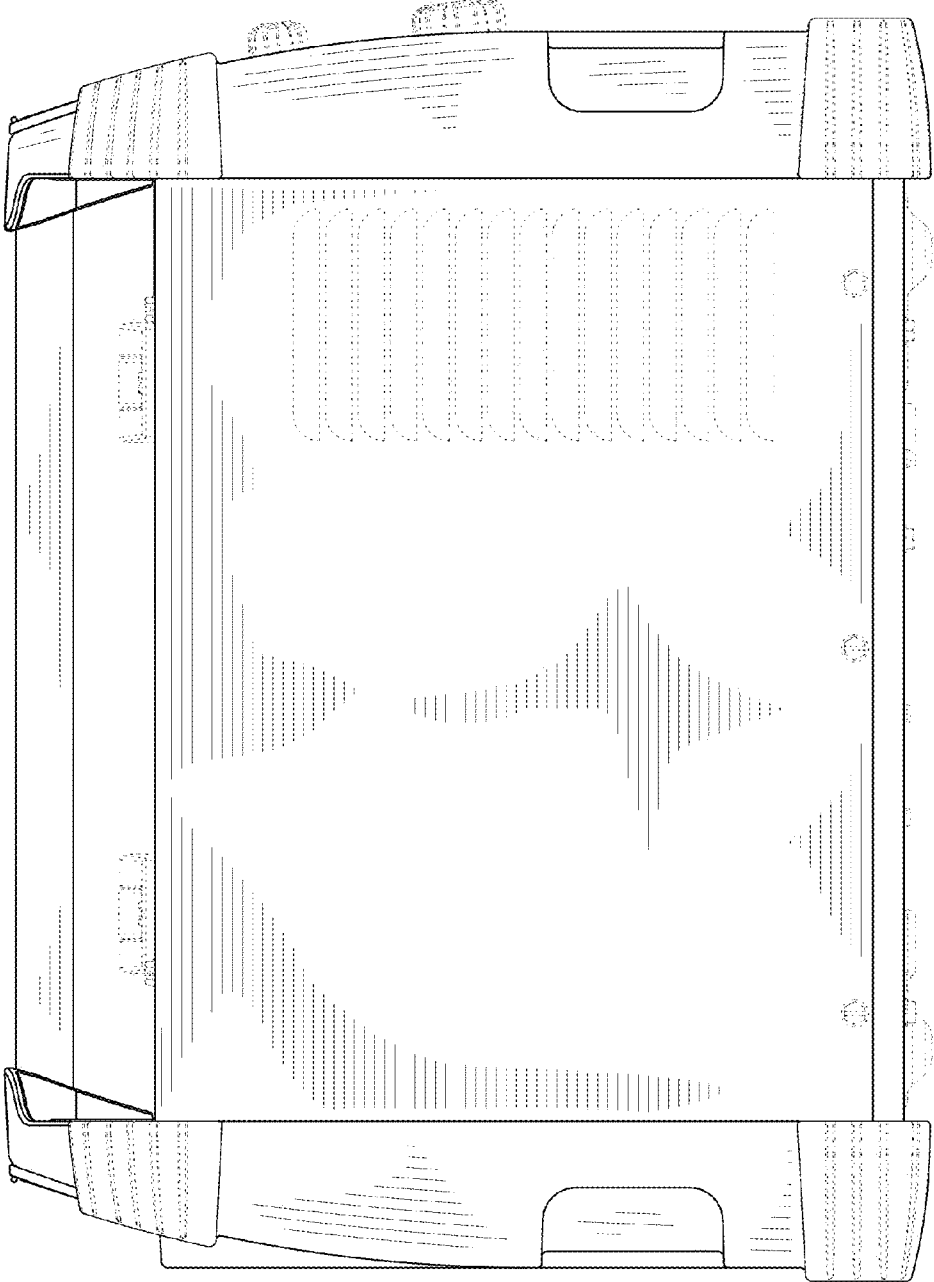


FIG. 7



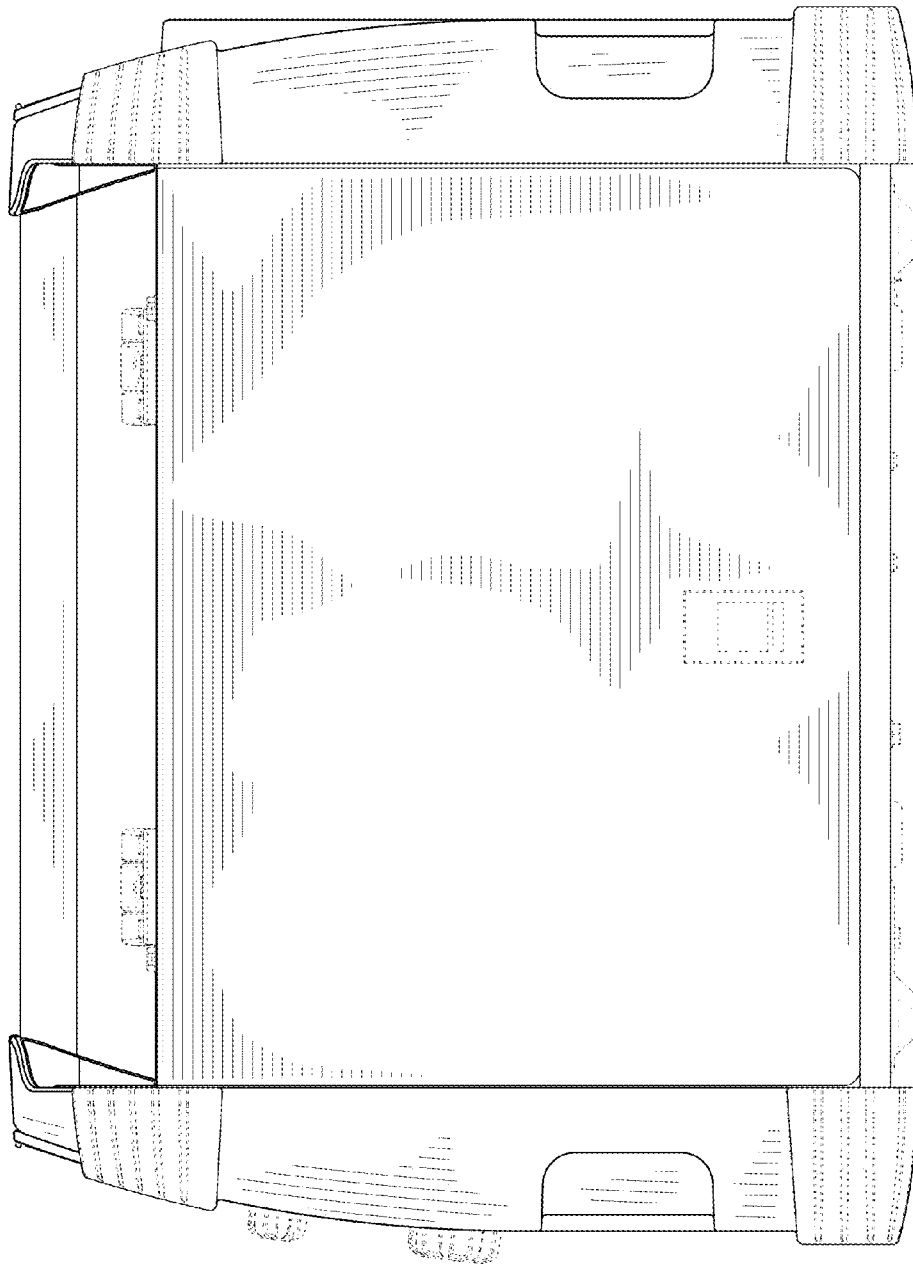


FIG. 8

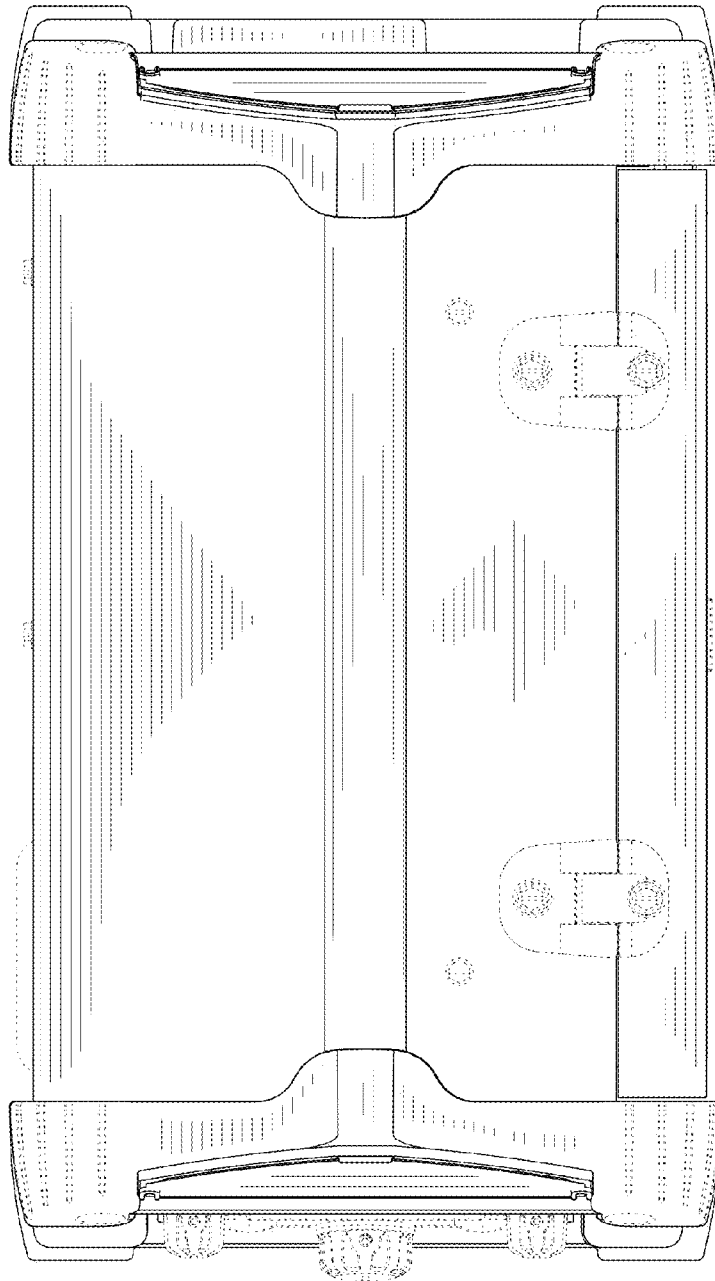


FIG. 9

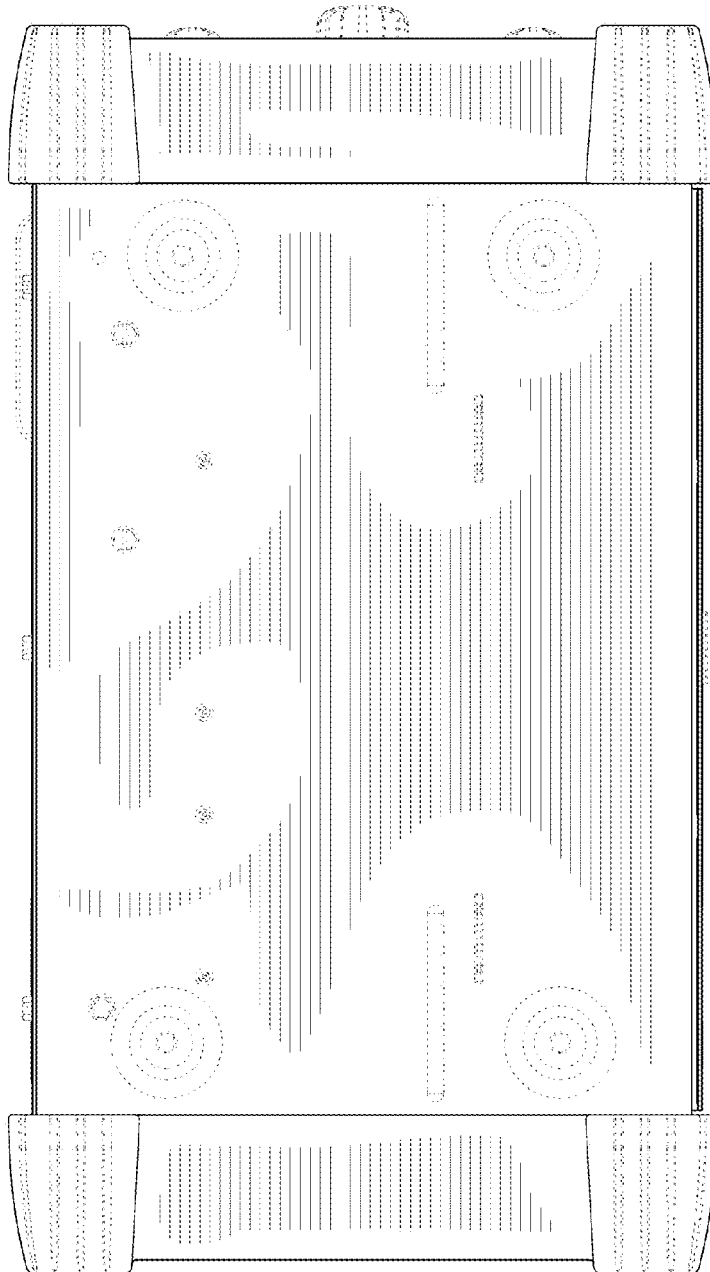


FIG. 10