



US00D779751S

(12) **United States Design Patent**  
**Chu**

(10) **Patent No.:** **US D779,751 S**

(45) **Date of Patent:** **\*\* Feb. 21, 2017**

- (54) **VACUUM CLEANER BASE**
- (71) Applicant: **BISSELL Homecare, Inc.**, Grand Rapids, MI (US)
- (72) Inventor: **Lawrence Chun-Hei Chu**, Shenzhen (CN)
- (73) Assignee: **BISSELL Homecare, Inc.**, Grand Rapids, MI (US)
- (\*\*) Term: **14 Years**

D524,002 S *	6/2006	Worwag	.....	D32/32
D594,612 S *	6/2009	Umeda	.....	D32/32
D597,267 S *	7/2009	Santiago	.....	D32/32
D655,468 S *	3/2012	Karsan	.....	D32/33
D667,184 S *	9/2012	Chu	.....	D32/33
D720,104 S *	12/2014	Santiago	.....	D32/32
D741,559 S *	10/2015	Marsden	.....	D32/32

\* cited by examiner

*Primary Examiner* — Ruth McInroy  
(74) *Attorney, Agent, or Firm* — McGarry Bair PC

- (21) Appl. No.: **29/518,715**
- (22) Filed: **Feb. 26, 2015**
- (51) **LOC (10) Cl.** ..... **15-05**
- (52) **U.S. Cl.** ..... **D32/32**
- (58) **Field of Classification Search**  
USPC ..... D32/25, 31-33  
CPC ..... A47L 9/02; A47L 9/06; A47L 5/28;  
A47L 5/24; A47L 11/4044; E04H 4/1654;  
E04H 4/34  
See application file for complete search history.

(57) **CLAIM**

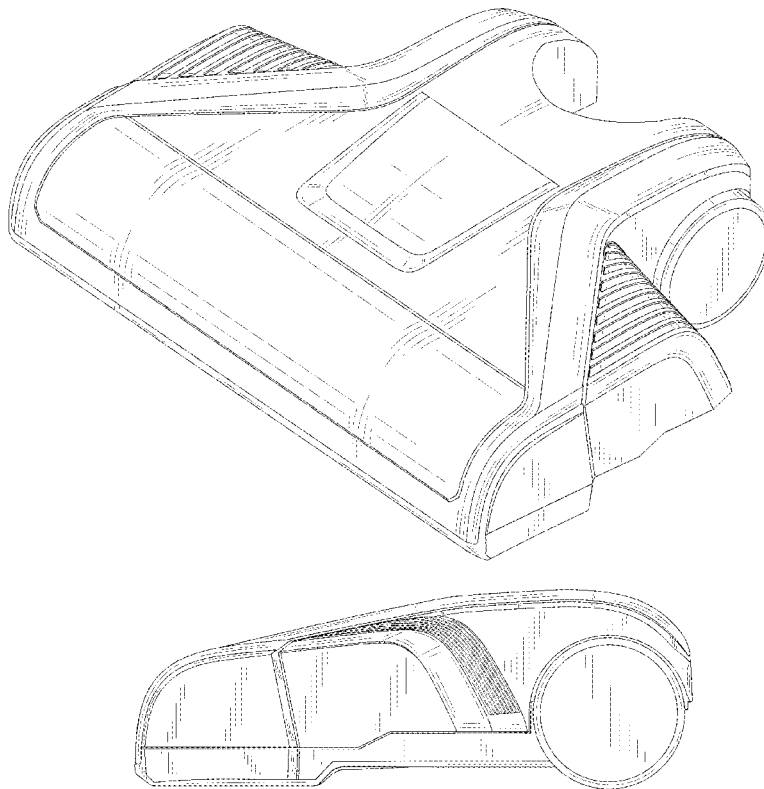
The ornamental design for a vacuum cleaner base, as shown and described.

**DESCRIPTION**

FIG. 1 is a front, right perspective view of a vacuum cleaner base showing my new design; FIG. 2 is a front view thereof; FIG. 3 is a rear view thereof; FIG. 4 is a left side view thereof; FIG. 5 is a right side view thereof; and, FIG. 6 is a top view thereof. The broken lines in the figures illustrates the boundaries of the claim, and form no part of the claimed design.

- (56) **References Cited**  
U.S. PATENT DOCUMENTS  
D381,780 S \* 7/1997 Summers ..... D32/33  
D507,854 S \* 7/2005 Kim ..... D32/32

**1 Claim, 4 Drawing Sheets**



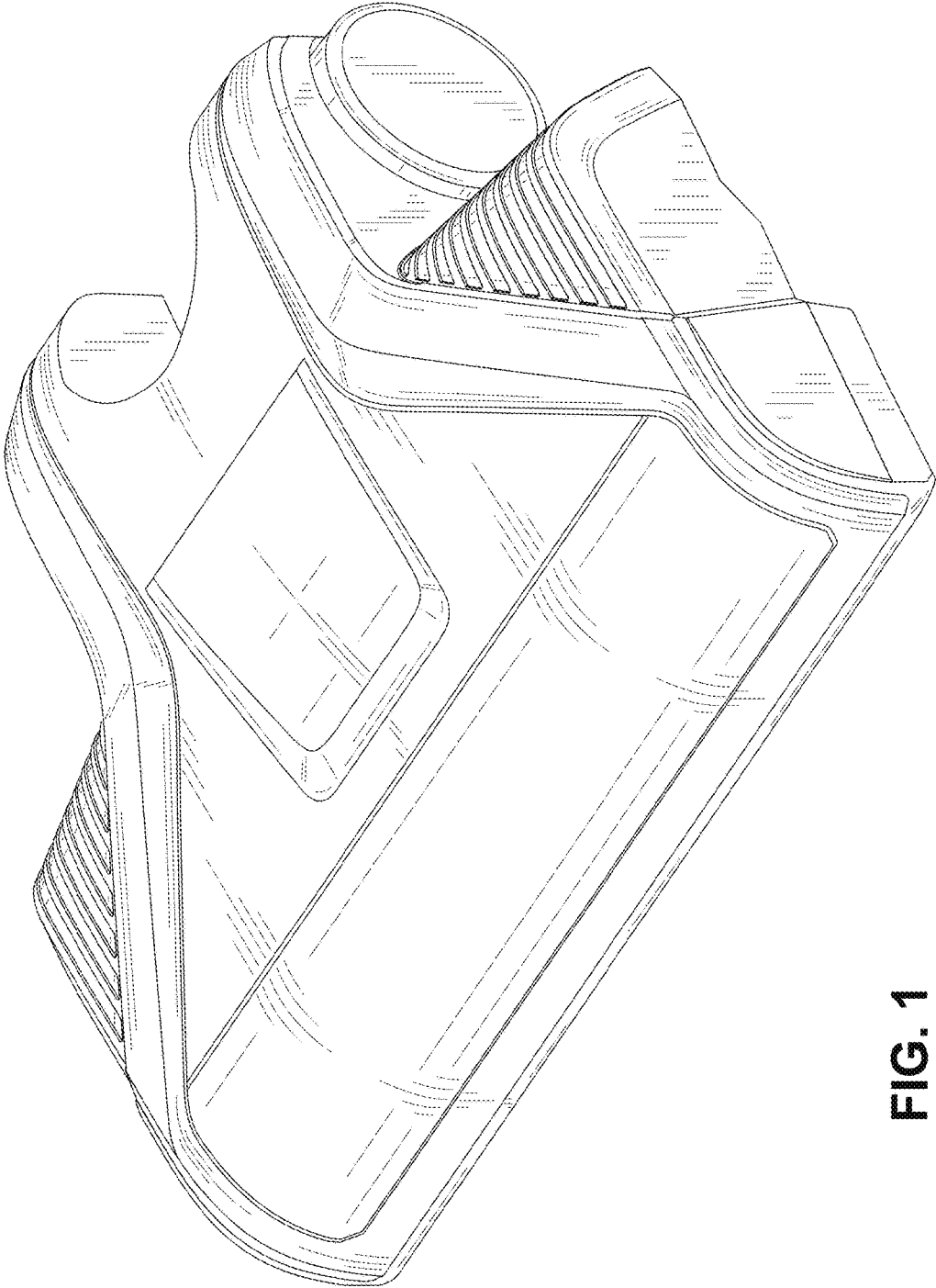


FIG. 1

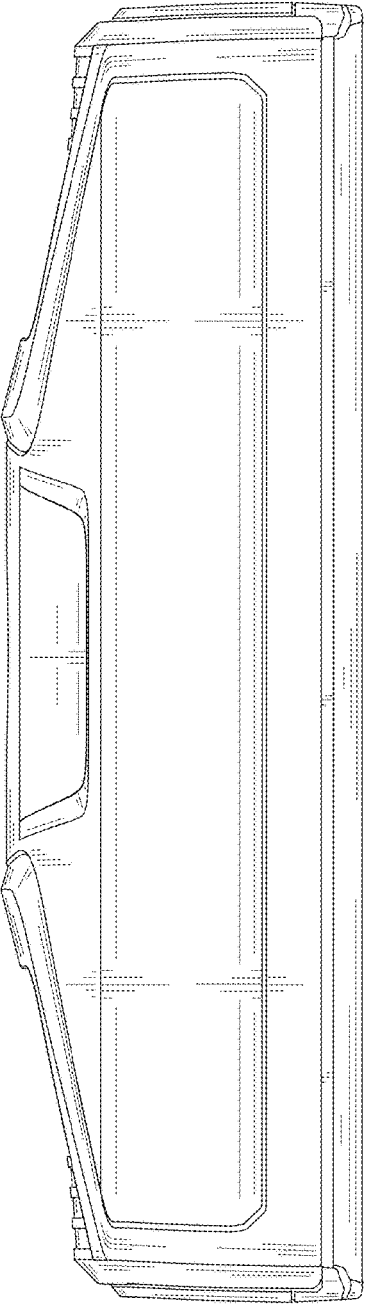


FIG. 2

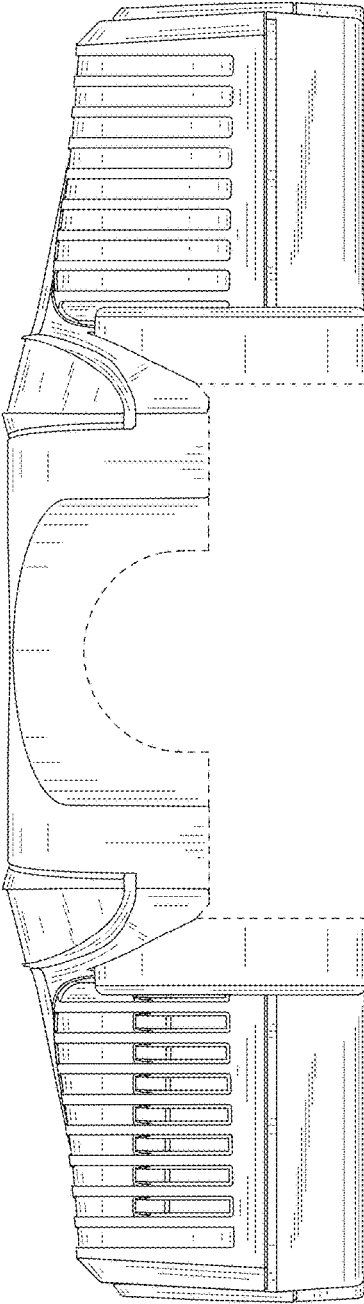


FIG. 3

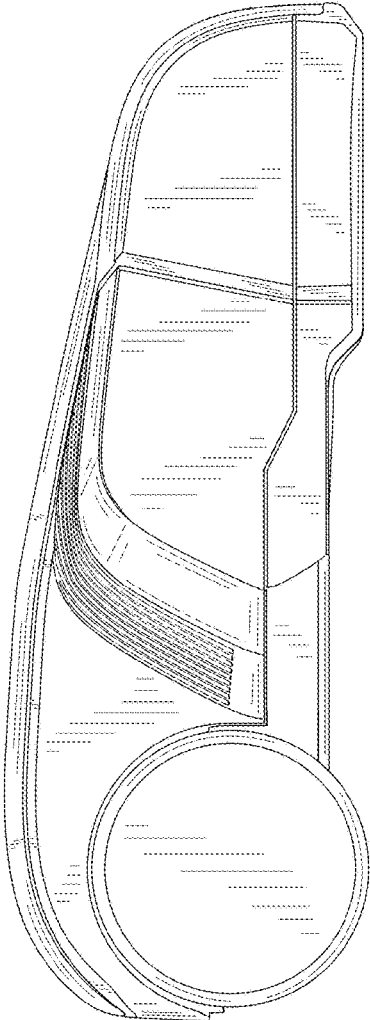


FIG. 4

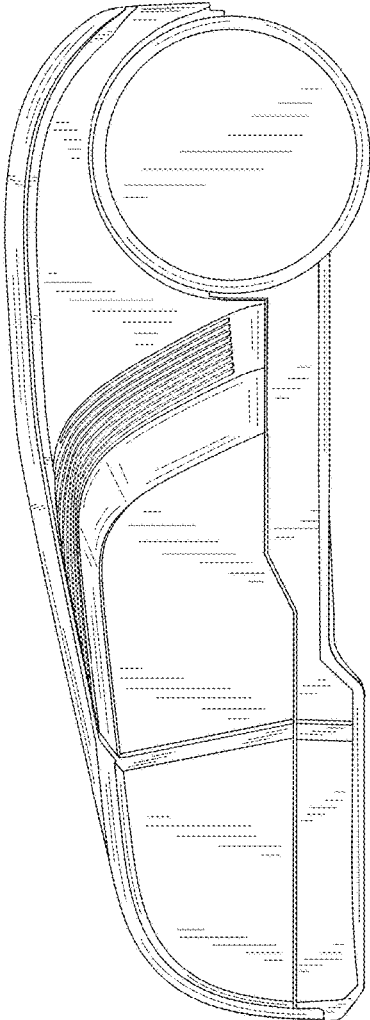


FIG. 5

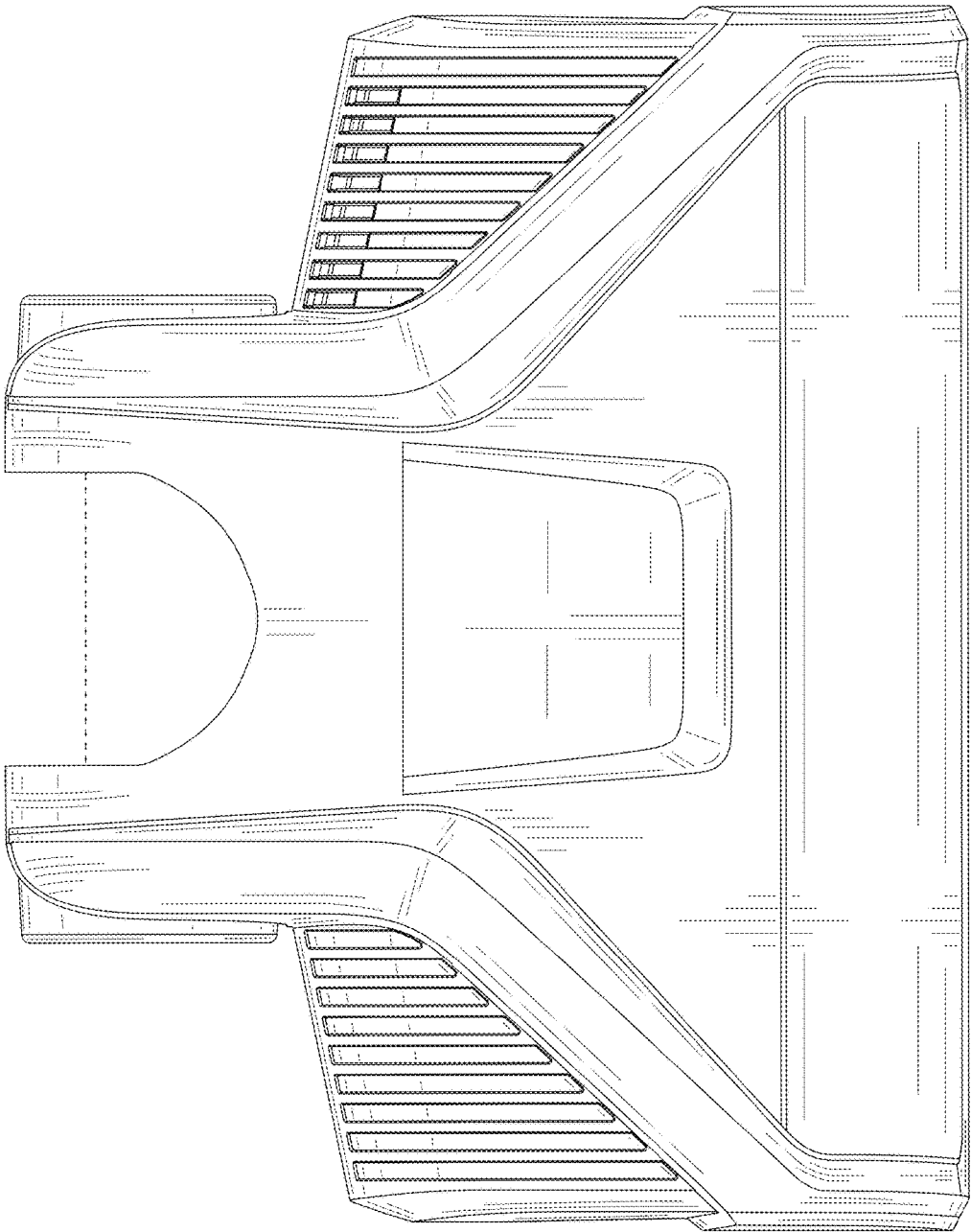


FIG. 6