



US00D796409S

(12) **United States Design Patent**
Zhao

(10) **Patent No.:** **US D796,409 S**

(45) **Date of Patent:** **** Sep. 5, 2017**

(54) **AUTOMOBILE WHEEL**
(71) Applicant: **WAH HUNG GROUP INC.**, Monterey Park, CA (US)

D730,262 S * 5/2015 Wagener D12/211
D736,689 S * 8/2015 Lemke D12/211
D744,930 S * 12/2015 Chung D12/211
D763,161 S * 8/2016 Morgenstern D12/211
D764,374 S * 8/2016 Chung D12/211

(72) Inventor: **John Zhao**, Monterey Park, CA (US)

OTHER PUBLICATIONS

(73) Assignee: **Wah Hung Group Inc.**, Monterey Park, CA (US)

Search Results for IN/ernie and IN/alfonso on Dec. 21, 2014.
Search results of IN/john and TTL/wheel and IN/zhao on Dec. 19, 2014.

(**) Term: **15 Years**

U.S. Appl. No. 29/508,262, Ernie Alfonso; filed Nov. 4, 2014.
U.S. Appl. No. 29/508,266, Ernie Alfonso, filed Nov. 4, 2014.
U.S. Appl. No. 29/508,268, Ernie Alfonso, filed Nov. 4, 2014.
U.S. Appl. No. 29/508,269, Ernie Alfonso, filed Nov. 4, 2014.
U.S. Appl. No. 29/508,270; Ernie Alfonso, filed Nov. 4, 2014.
U.S. Appl. No. 29/508,271, Ernie Alfonso, filed Nov. 4, 2014.
U.S. Appl. No. 29/544,262, Ernie Alfonso, filed Nov. 2, 2015.
U.S. Appl. No. 29/544,267, Ernie Alfonso, filed Nov. 2, 2015.
U.S. Appl. No. 29/544,268, Ernie Alfonso, filed Nov. 2, 2015.
U.S. Appl. No. 29/544,272, Ernie Alfonso, filed Nov. 2, 2015.
U.S. Appl. No. 29/544,270, Ernie Alfonso, filed Nov. 2, 2015.
U.S. Appl. No. 29/544,275, Ernie Alfonso, filed Nov. 2, 2015.

(21) Appl. No.: **29/549,101**

(22) Filed: **Dec. 18, 2015**

(51) **LOC (10) Cl.** **12-16**

(52) **U.S. Cl.**
USPC **D12/211**

(58) **Field of Classification Search**
USPC D12/204–213
CPC B60B 7/00; B60B 7/02; B60B 7/04; B60B 7/01; B60B 7/06; B60B 3/02; B60B 3/04; B60B 3/06; B60B 3/10; B60B 1/00; B60B 1/08; B60B 1/10; B60B 1/12
See application file for complete search history.

* cited by examiner

Primary Examiner — Stacia Cadmus

(74) *Attorney, Agent, or Firm* — Payam Moradian

(56) **References Cited**

U.S. PATENT DOCUMENTS

D344,924 S * 3/1994 Braungart D12/211
D457,119 S * 5/2002 Braun D12/211
D487,569 S * 3/2004 Laengerer D12/211
D522,439 S * 6/2006 Laengerer D12/211
D585,009 S * 1/2009 Rak D12/211
D620,425 S * 7/2010 Zhao D12/211
D655,233 S * 3/2012 Alfonso D12/211
D657,297 S * 4/2012 Johnson D12/211
D659,063 S * 5/2012 Johnson D12/209
D671,483 S * 11/2012 Chung D12/211
D684,915 S * 6/2013 Zhao D12/211
D715,721 S * 10/2014 Chung D12/211
D723,992 S * 3/2015 Zhao D12/209
D726,621 S 4/2015 Alfonso

(57) **CLAIM**

I claim the ornamental design for an automobile wheel, as shown and described.

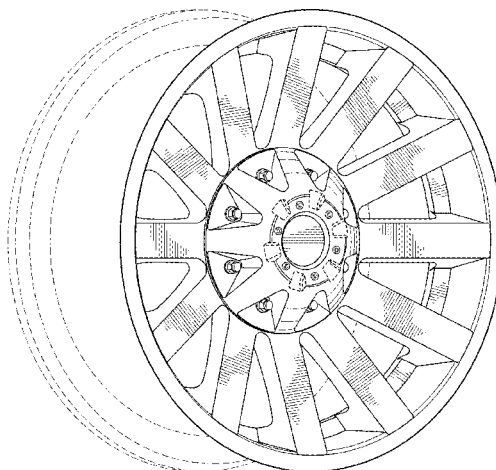
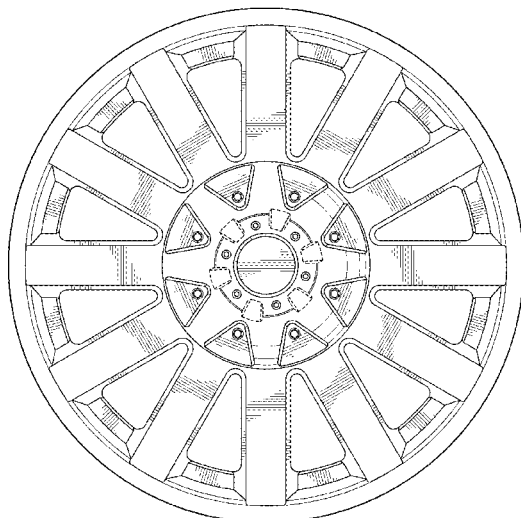
DESCRIPTION

FIG. 1 is a front elevational view of an automobile wheel; and,

FIG. 2 is a perspective view thereof.

The broken line showing of the rear of the rim and the depressions in the front is included for the purpose of illustrating environmental subject matter and forms no part of the claimed design.

1 Claim, 2 Drawing Sheets



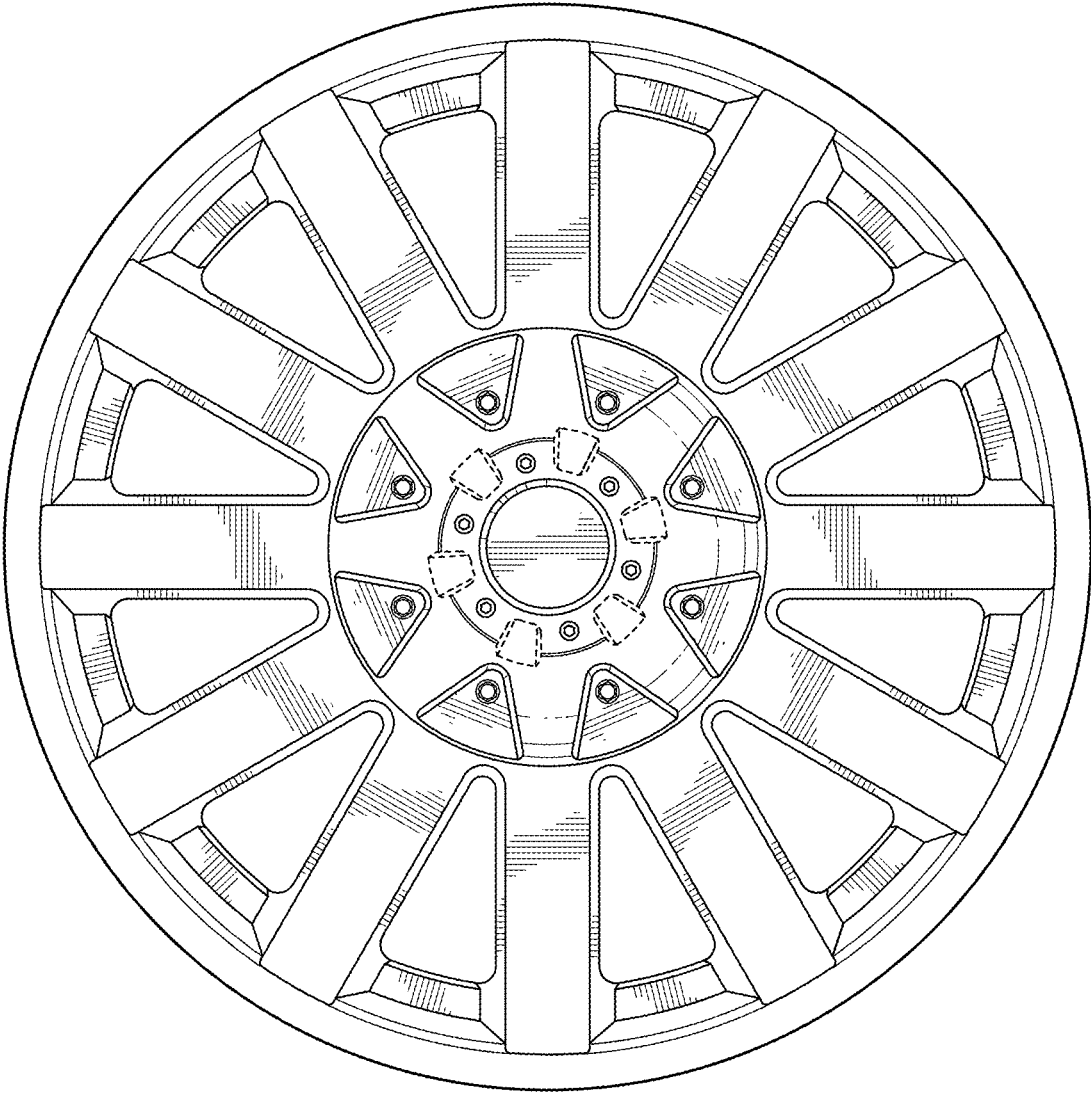


FIG. 1

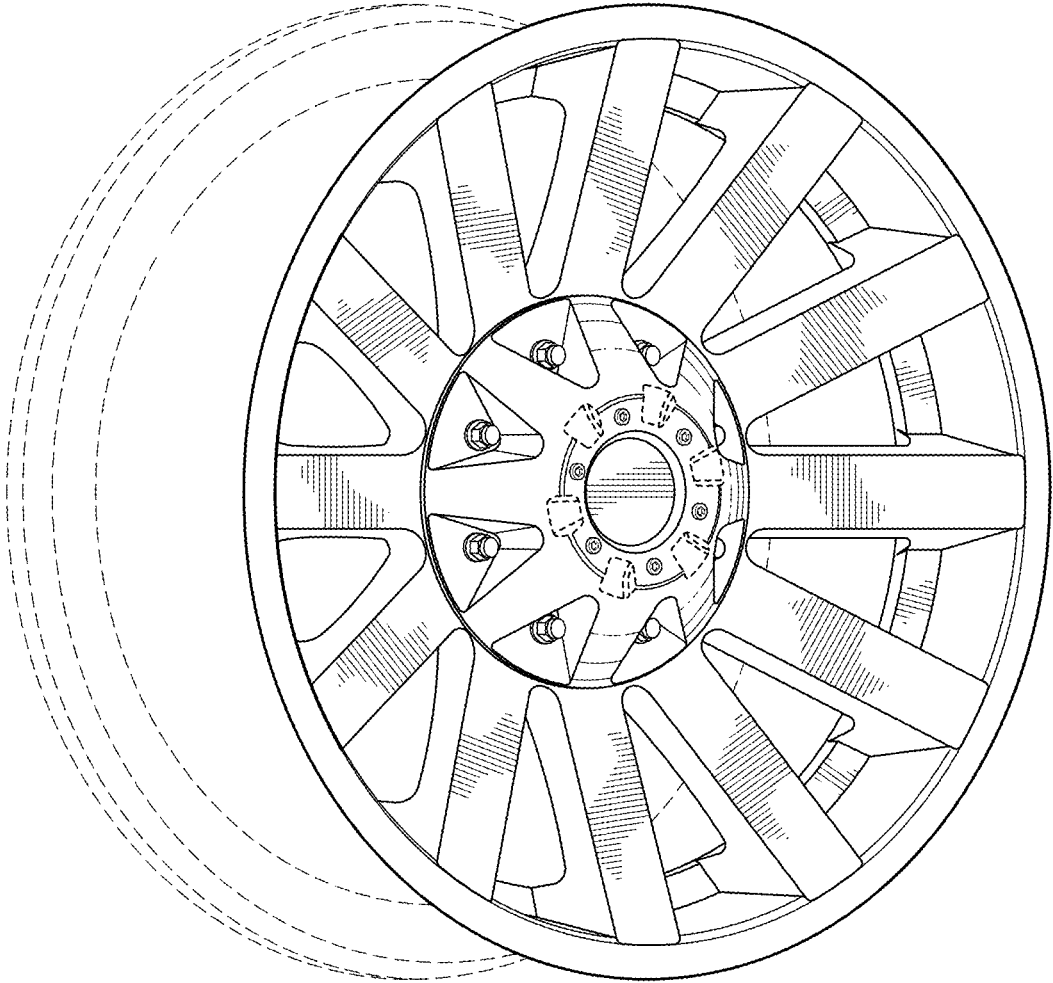


FIG. 2