



US00D780859S

(12) **United States Design Patent**
Ramsey et al.

(10) **Patent No.:** **US D780,859 S**

(45) **Date of Patent:** **** Mar. 7, 2017**

- (54) **BARBELL LOCK COLLAR**
- (71) Applicants: **Michael O. Ramsey**, West Columbia, SC (US); **Scott C. Williams**, Gilbert, SC (US); **Gordon L. Brown, Jr.**, Anderson, SC (US)
- (72) Inventors: **Michael O. Ramsey**, West Columbia, SC (US); **Scott C. Williams**, Gilbert, SC (US); **Gordon L. Brown, Jr.**, Anderson, SC (US)
- (**) Term: **14 Years**
- (21) Appl. No.: **29/514,186**
- (22) Filed: **Jan. 9, 2015**
- (51) **LOC (10) Cl.** **21-02**
- (52) **U.S. Cl.**
USPC **D21/694**
- (58) **Field of Classification Search**
USPC 482/107, 108, 106, 44, 148, 93, 190;
D21/694, 681, 679, 839; D8/396, 331,
D8/399, 394; D13/152, 154; D6/682;
D23/265; 24/580.11, DIG. 44, DIG. 53,
24/273, 530, 270, 524; 284/409, 366,
284/410, 411, 112, 373; 403/318, 359.3,
403/344, 362, 17, 374.5, 109.1; 135/75,
135/65, 76; 42/124, 127; 1/1
CPC Y10S 707/99938; G06F 17/30362; G06F
9/526; G06F 9/52; E05B 47/0012; A63B
21/0728
See application file for complete search history.

- 4,738,446 A * 4/1988 Miles A63B 21/0728
24/580.11
- D412,972 S * 8/1999 Kroulik D23/265
- 7,494,451 B1 * 2/2009 Ramos A63B 21/0728
482/107
- 8,006,711 B2 * 8/2011 Pietrzak A45B 9/00
135/65
- 9,109,616 B1 * 8/2015 Ballentine F16B 7/1454

OTHER PUBLICATIONS

Elitefts—Croc Lock Crappy Video Take 1 by Dave Tate dated Dec. 15, 2014. Found online [Jun. 18, 2016] <https://www.youtube.com/watch?v=fZjgACWItOw>.*
Croc Lock Collar by elitefts dated Apr. 23, 2015. Found online [Jun. 18, 2016] <http://www.elitefts.com/croc-locktm-collar.html?p=2#collateral-tabs>.*

* cited by examiner

Primary Examiner — Robert M Spear
Assistant Examiner — Ryan Harvey
(74) *Attorney, Agent, or Firm* — Joseph T. Guy; Perkins Law Firm, LLC

(57) **CLAIM**

The ornamental design for a barbell lock collar, as shown and described.

DESCRIPTION

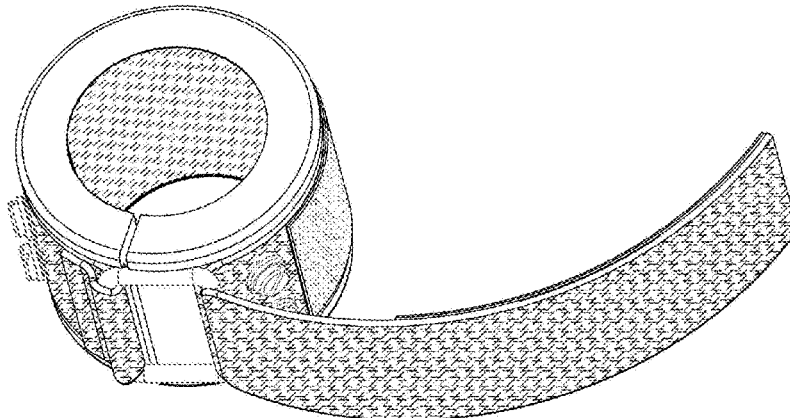
FIG. 1 is a front perspective view of the present invention; FIG. 2 is a front side view of FIG. 1; FIG. 3 is a rear side view of FIG. 1; FIG. 4 is a left side view of FIG. 1; FIG. 5 is a right side view of FIG. 1; FIG. 6 is a top side view of FIG. 1; and, FIG. 7 is a bottom side view of FIG. 1.
In the figures, features illustrated in broken lines are not part of the claimed design.

1 Claim, 4 Drawing Sheets

(56) **References Cited**

U.S. PATENT DOCUMENTS

- 2,796,269 A * 6/1957 Watson A63B 21/0728
482/107
- D263,555 S * 3/1982 Curtis D8/331
- D280,433 S * 9/1985 Lincir D21/694



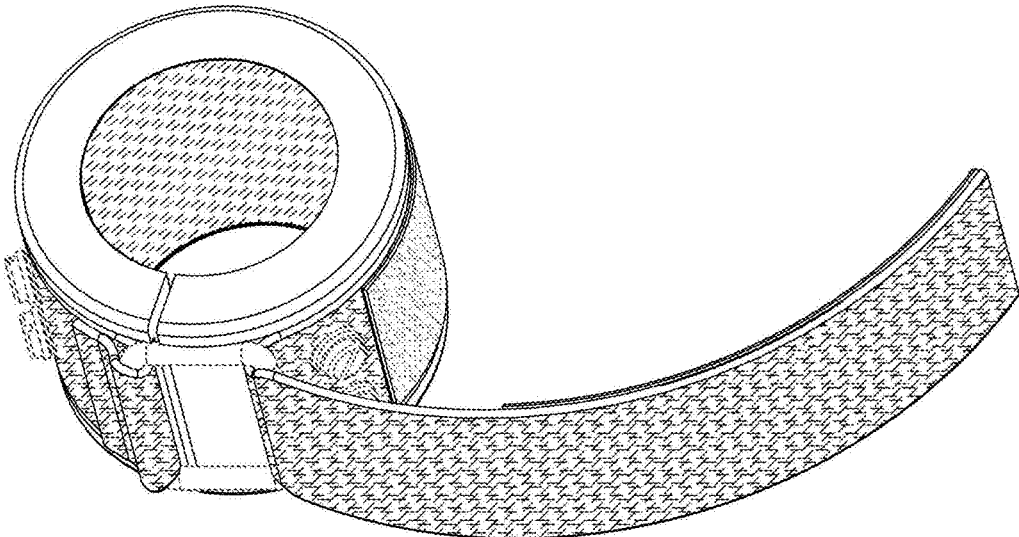


FIG. 1

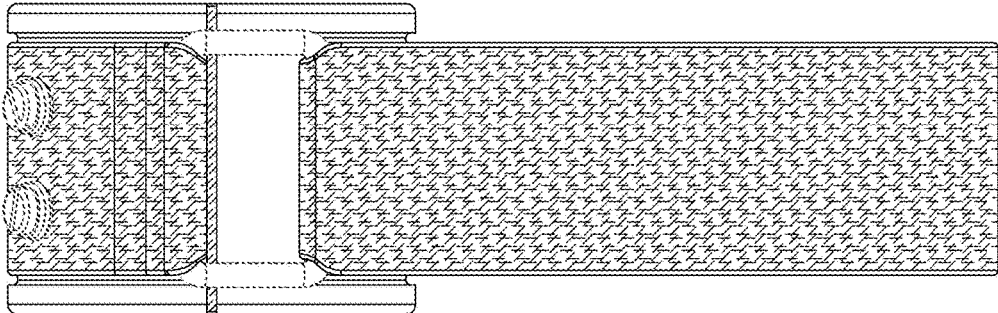


FIG. 2

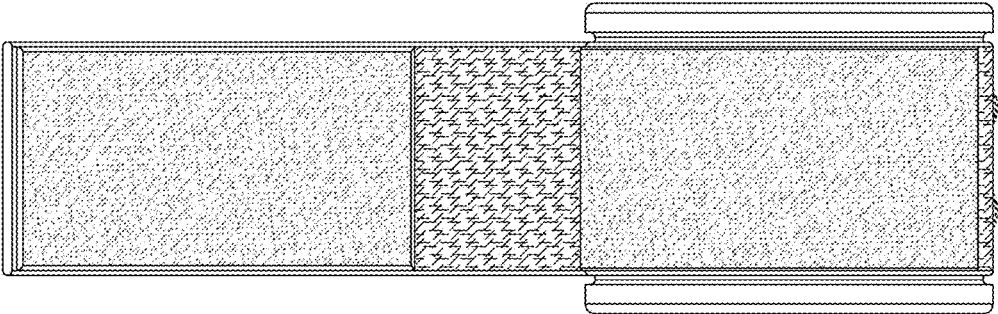


FIG. 3

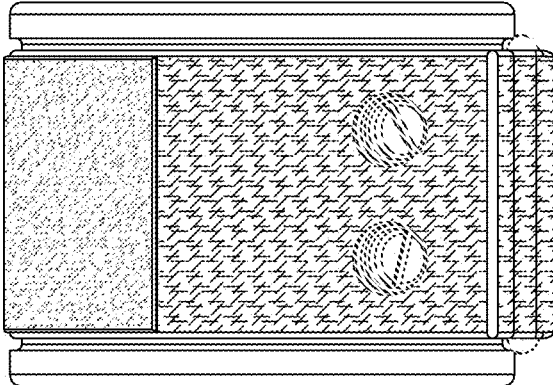


FIG. 4

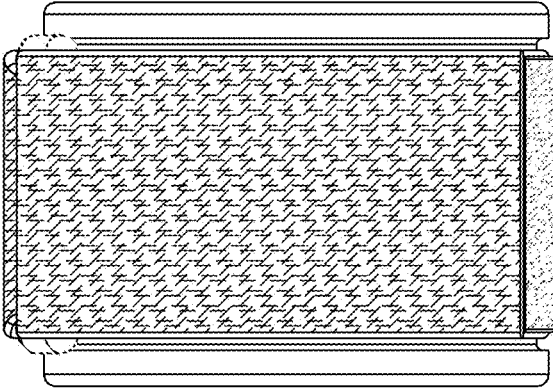


FIG. 5

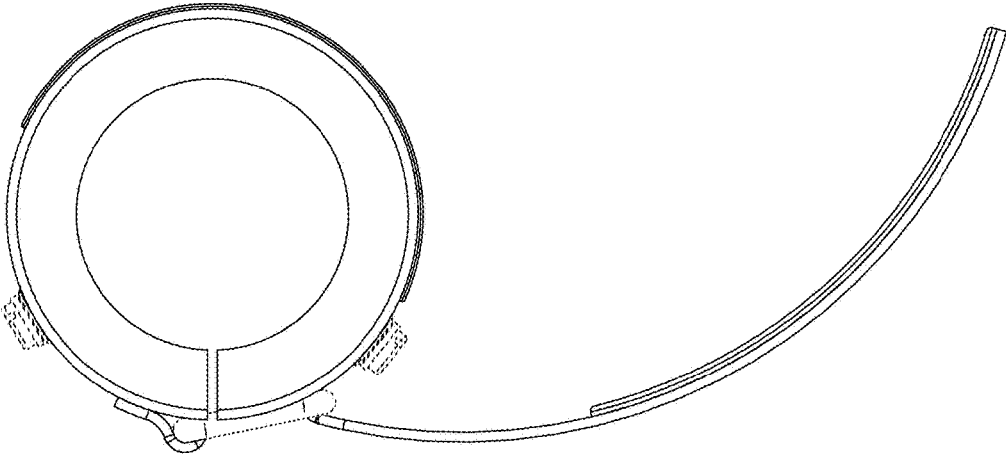


FIG. 6

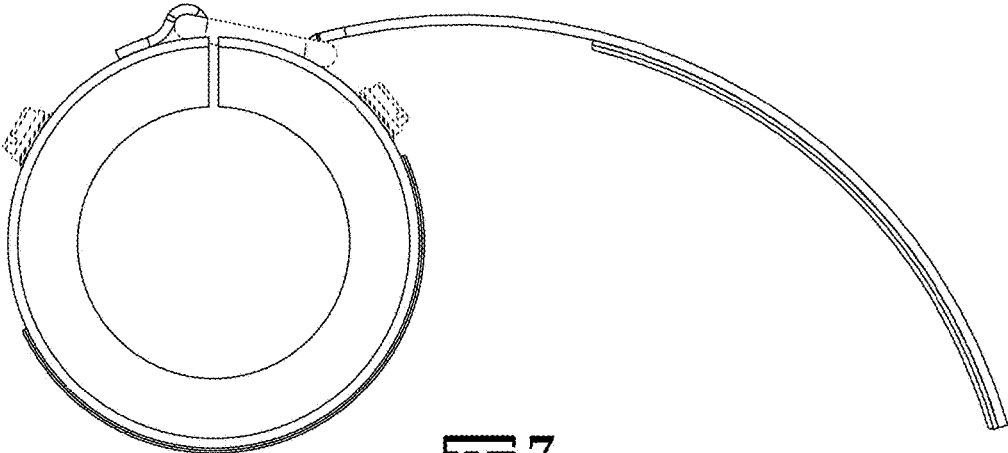


FIG. 7