



US00D371164S

United States Patent [19] Shane

[11] Patent Number: **Des. 371,164**

[45] Date of Patent: ****Jun. 25, 1996**

[54] **PENNANT SHAPED NEON GRAPHIC DISPLAY**

[76] Inventor: **Scott Shane**, 15854 Strathern St., Van Nuys, Calif. 91406

[**] Term: **14 Years**

[21] Appl. No.: **42,210**

[22] Filed: **Aug. 4, 1995**

[52] U.S. Cl. **D20/10**

[58] Field of Search D20/10, 39, 40,
D20/42, 99; 40/1, 540, 541, 542, 543, 591,
592, 593, 624

[56] **References Cited**

U.S. PATENT DOCUMENTS

- D. 332,973 2/1993 Jenkins D20/10
- D. 341,163 11/1993 Cohen D20/10
- D. 356,118 3/1995 Willitts, Jr. D20/10

D. 362,275 9/1995 Brittain D20/10

Primary Examiner—Marcus A. Jackson
Attorney, Agent, or Firm—Roger A. Marrs

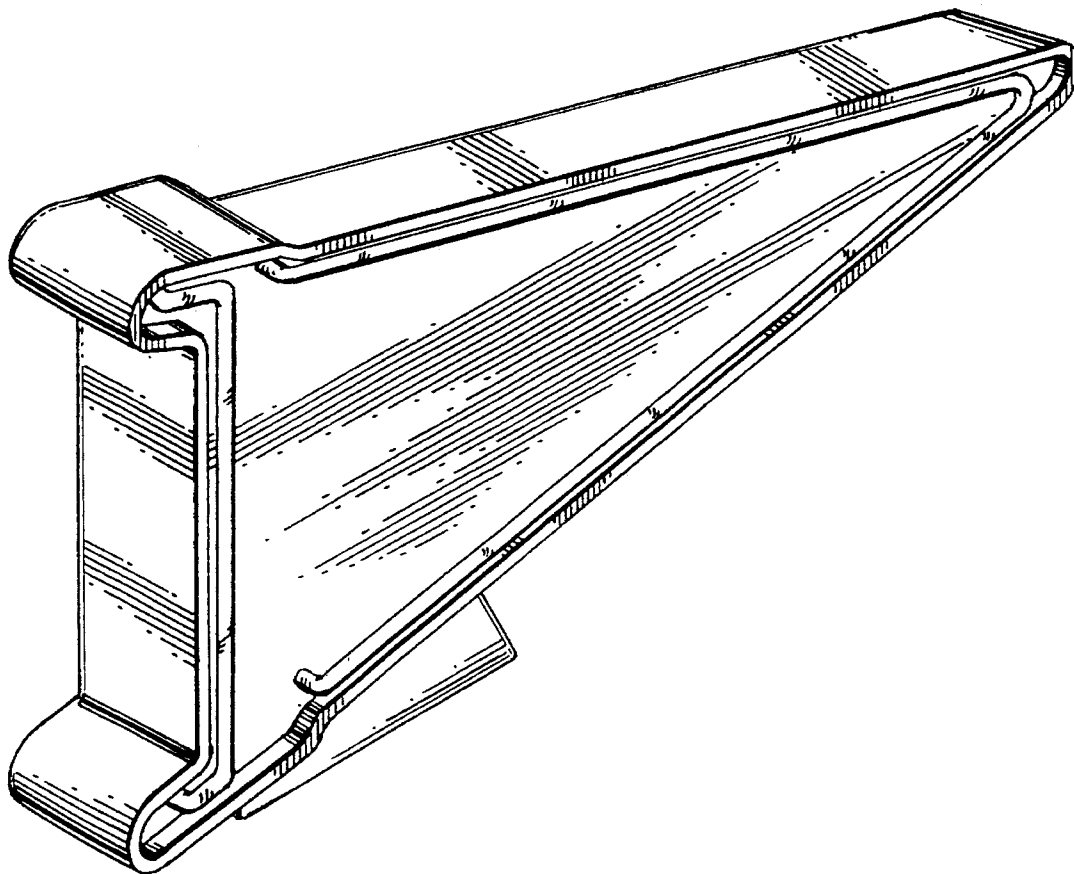
[57] **CLAIM**

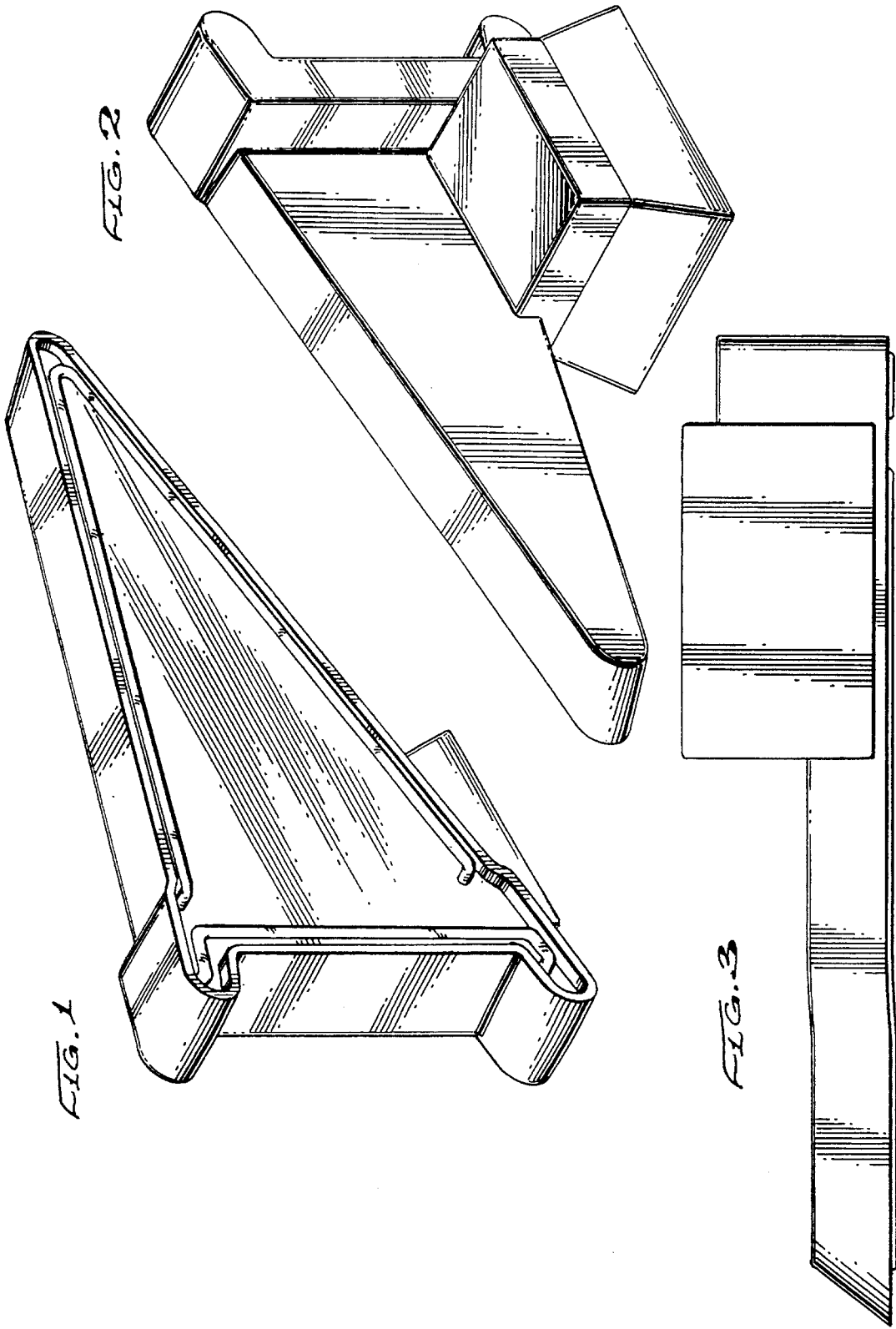
The ornamental design for a pennant shaped neon graphic display, as shown and described.

DESCRIPTION

FIG. 1 is a front perspective view of a pennant shaped neon graphic display showing my new design; FIG. 2 is a rear perspective view thereof; FIG. 3 is a bottom view thereof; FIG. 4 is a front elevational view thereof; FIG. 5 is a side elevational view thereof; FIG. 6 is a top plan view thereof; and, FIG. 7 is a side elevational view taken opposite to the side view shown in FIG. 6.

1 Claim, 2 Drawing Sheets





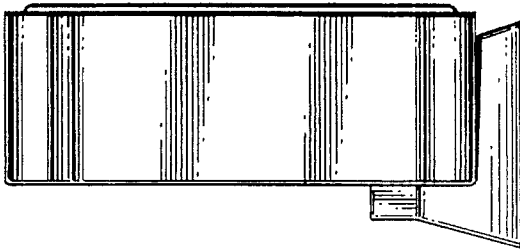


FIG. 5

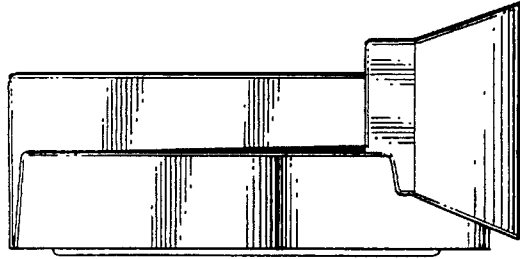


FIG. 7

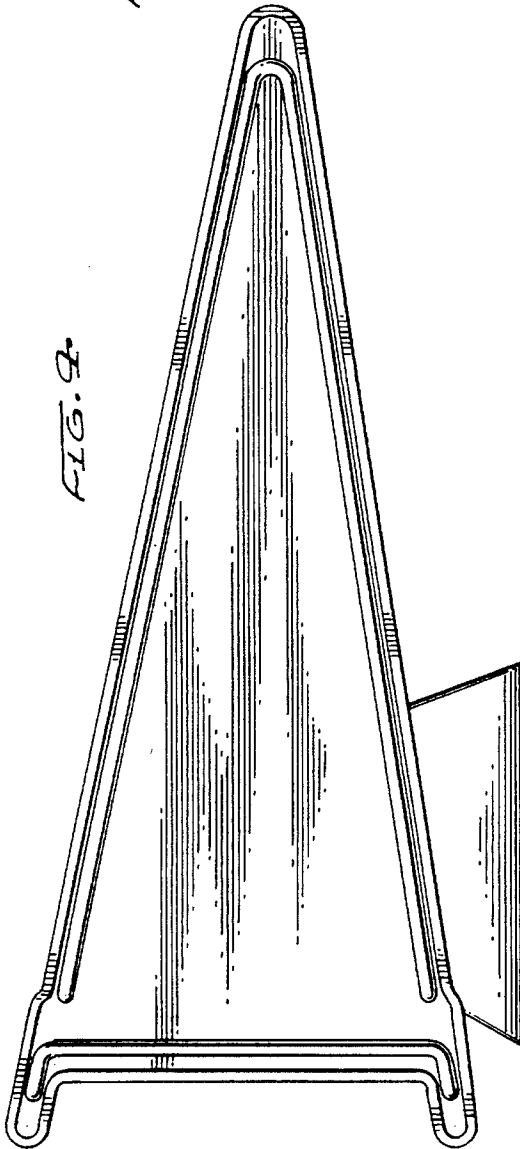


FIG. 8

FIG. 6

