



- (51) **International Patent Classification:**
E21B 47/002 (2012.01) G01N 21/01 (2006.01)
- (21) **International Application Number:**
PCT/US2014/071495
- (22) **International Filing Date:**
19 December 2014 (19.12.2014)
- (25) **Filing Language:** English
- (26) **Publication Language:** English
- (30) **Priority Data:**
14/169,760 31 January 2014 (31.01.2014) US
- (71) **Applicant:** BAKER HUGHES INCORPORATED
[US/US]; P.O. Box 4740, Houston, Texas 77210-4740 (US).
- (72) **Inventors:** STOESZ, Carl W.; 2929 Allen Parkway, Suite 2100, Houston, TX 77019-2118 (US). CHILDERS, Brooks A.; 2929 Allen Parkway, Suite 2100, Houston, TX 77019-2118 (US).

HN, HR, HU, ID, IL, IN, IR, IS, JP, KE, KG, KN, KP, KR, KZ, LA, LC, LK, LR, LS, LU, LY, MA, MD, ME, MG, MK, MN, MW, MX, MY, MZ, NA, NG, NI, NO, NZ, OM, PA, PE, PG, PH, PL, PT, QA, RO, RS, RU, RW, SA, SC, SD, SE, SG, SK, SL, SM, ST, SV, SY, TH, TJ, TM, TN, TR, TT, TZ, UA, UG, US, UZ, VC, VN, ZA, ZM, ZW.

(84) **Designated States** (unless otherwise indicated, for every kind of regional protection available): ARIPO (BW, GH, GM, KE, LR, LS, MW, MZ, NA, RW, SD, SL, ST, SZ, TZ, UG, ZM, ZW), Eurasian (AM, AZ, BY, KG, KZ, RU, TJ, TM), European (AL, AT, BE, BG, CH, CY, CZ, DE, DK, EE, ES, FI, FR, GB, GR, HR, HU, IE, IS, IT, LT, LU, LV, MC, MK, MT, NL, NO, PL, PT, RO, RS, SE, SI, SK, SM, TR), OAPI (BF, BJ, CF, CG, CI, CM, GA, GN, GQ, GW, KM, ML, MR, NE, SN, TD, TG).

Declarations under Rule 4.17:

- as to applicant's entitlement to apply for and be granted a patent (Rule 4.17(ii))
- as to the applicant's entitlement to claim the priority of the earlier application (Rule 4.17(iii))

Published:

- with international search report (Art. 21(3))

(81) **Designated States** (unless otherwise indicated, for every kind of national protection available): AE, AG, AL, AM, AO, AT, AU, AZ, BA, BB, BG, BH, BN, BR, BW, BY, BZ, CA, CH, CL, CN, CO, CR, CU, CZ, DE, DK, DM, DO, DZ, EC, EE, EG, ES, FI, GB, GD, GE, GH, GM, GT,

(54) **Title:** SPLICABLE FIBER OPTIC SENSING SYSTEM, METHOD OF MAKING SAME AND TAPE FOR SENSE TRANSMISSIVELY LOCKING AN OPTICAL FIBER

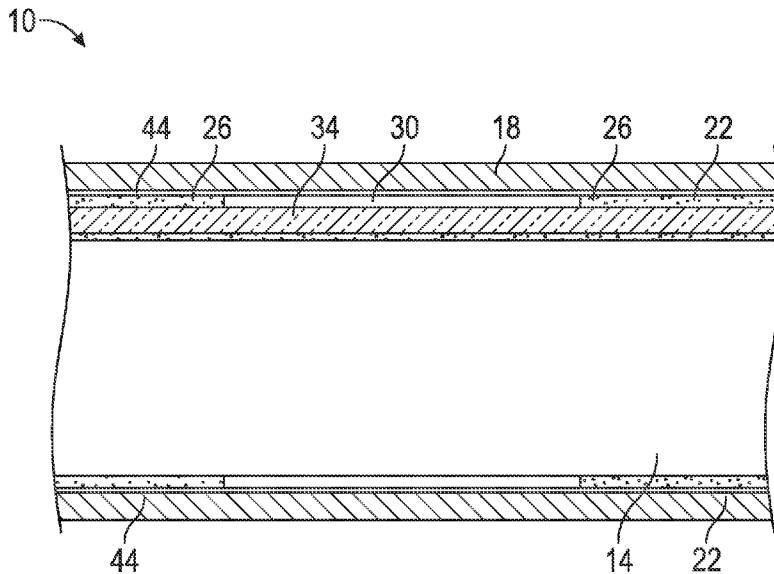


FIG. 1

(57) **Abstract:** A splicable fiber optic sensing system includes, a core, a sheath surrounding the core, an adhesive disposed between the core and the sheath at some locations and not at other locations, and at least one optical fiber disposed between the core and the sheath being sense transmissively locked to the core by the adhesive at the locations containing the adhesive

WO 2015/116333 A1

SPLICABLE FIBER OPTIC SENSING SYSTEM, METHOD OF MAKING SAME AND
TAPE FOR SENSE TRANSMISSIVELY LOCKING AN OPTICAL FIBER

CROSS REFERENCE TO RELATED APPLICATIONS

[0001] This application claims the benefit of U.S. Application No. 14/169760, filed on January 31, 2014, which is incorporated herein by reference in its entirety.

BACKGROUND

[0002] Cables, particularly fiber optic cables, are used ubiquitously in the downhole drilling and completions industry. These cables are used for monitoring a variety of downhole conditions and parameters, such as temperature, vibration, acoustic energy, pressure, strain, etc. Due chiefly to their pervasive use, there is an ever-present desire in the industry for alternate configurations of sensing cables, particularly for enhancing the ability to connect separate sensing cables to one another.

BRIEF DESCRIPTION

[0003] Disclosed herein is a splicable fiber optic sensing system. The system includes, a core, a sheath surrounding the core, an adhesive disposed between the core and the sheath at some locations and not at other locations, and at least one optical fiber disposed between the core and the sheath being sense transmissively locked to the core by the adhesive at the locations containing the adhesive.

[0004] Further disclosed herein is a method of forming a splicable fiber optic sensing system. The method includes, positioning at least one optical fiber in an annular space defined between a core and a sheath, and bonding the at least one optical fiber to at least one of the core and the sheath with an adhesive in some locations while not bonding the at least one optical fiber to at least one of the core and the sheath at other locations.

[0005] Further disclosed herein is a tape for sense transmissively locking an optical fiber to a member. The tape includes, a support member and adhesive that is adhered to some portions of the support member and not adhered to other portions of the support member.

[0006] Further disclosed herein is a tape for sense transmissively locking an optical fiber to a member. The tape includes, a plurality of support members, adhesive that is adhered to the plurality of support members, and a strip that is connected longitudinally to ends of two of the plurality of support members positioned adjacent one another.

BRIEF DESCRIPTION OF THE DRAWINGS

[0007] The following descriptions should not be considered limiting in any way. With reference to the accompanying drawings, like elements are numbered alike:

[0008] FIG. 1 depicts a side cross sectional view of a splicable fiber optic cable sensing system disclosed herein taken at arrows 1-1 of Figure 2;

[0009] FIG. 2 depicts an end cross sectional view of a splicable fiber optic cable sensing system disclosed herein;

[0010] FIG. 3 depicts a partial perspective view of a tape usable in the splicable fiber optic cable sensing system of FIG. 1;

[0011] FIG. 4 depicts a partial perspective view of an alternate embodiment of a tape usable in the splicable fiber optic cable sensing system of FIG. 1;

[0012] FIG. 5 depicts a partial perspective view of a partially assembled splicable fiber optic cable sensing system disclosed herein; and

[0013] FIG. 6 depicts a partial perspective view of a partially assembled alternate embodiment of a splicable fiber optic cable sensing system disclosed herein.

DETAILED DESCRIPTION

[0014] A detailed description of one or more embodiments of the disclosed apparatus and method are presented herein by way of exemplification and not limitation with reference to the Figures.

[0015] Referring to Figures 1 and 2, a splicable fiber optic sensing system is illustrated at 10. The system 10 includes, a core 14, a sheath 18 surrounding the core 14, an adhesive 22 disposed between the core 14 and the sheath 18 at some locations 26 and not at other locations 30, and at least one optical fiber 34, with three being shown in this embodiment, disposed between the core 14 and the sheath 18 being sense transmissively locked to the core 14 by the adhesive 22 at the locations 26 containing the adhesive 22. Optionally, in the locations 26, with the adhesive 22, the optical fibers 34 are also adhered to the sheath 18 by the adhesive 22 and the sheath 18 is adhered to the core 14 by the adhesive. Adhesions of each of these components to the other are sufficient to sense transmissively lock them together. Senses that can be transmitted by this locking include, for example, strain, pressure, temperature, acoustic energy, stress, vibration, and combinations thereof.

[0016] In this embodiment the locations 26, 30 are longitudinally displaced from one another, although other displacements are considered. In the locations 30, without the adhesive 22, the core 14, the sheath 18 and the optical fibers 34 are not adhered to one

another. This is not to say that they are not sense transmissively locked to one another, as they still may be depending upon compressive loads and frictional engagement therebetween. Since there is not adhesion between the core 14, the sheath 18 and the optical fibers 34 in the locations 30, the optical fibers 34 are easily separable from the core 14 and the sheath 18 when, for example, a portion of the sheath 18 is cut away in the locations 30. This separating of the optical fibers 34 allows them to be easily spliced to another of the optical fibers 34. In conventional systems, that do not include the locations 30 without the adhesive 22, there is increased difficulty in splicing the optical fibers 34 due to potential damage to them while separating them from the core 14 and the sheath 18, since they are continuously adhered to the core 14 and the sheath 18 with the adhesive 22 over their entire length.

[0017] Creating the locations 26, 30 in the system 10 is facilitated by the use of tape 40, as illustrated in Figure 3, reference to which follows. The tape 40 includes a support member 44 and the adhesive 22. The support member 44 is elongated and flat such that it has a first side 48 that opposes a second side 52 thereof. The adhesive 22 adheres to the support member 44 and more of the adhesive 22 is positioned on the first side 48 than on the second side 52. In this embodiment the support member 44 is scrim which is porous by its nature. As such, some of the adhesive 22 is able to travel through the porosity of the support member 44 thereby leaving some of the adhesive on the second side 52 even though the adhesive 22 is originally only applied to the first side 48. Having some of the adhesive 22 on both sides 48, 52 of the support member 44 allows some of the adhesive 22 to contact and thus bind with the sheath 18. The adhesive 22 however is not applied to 100 percent of the first side 48 of the support member 44. Instead the adhesive 22 is only positioned and adhered to some portions 56 while not being positioned at and adhered to other portions 60 along a length of the support member 44.

[0018] Referring to Figure 4, an alternate embodiment of tape for use in sense transmissively locking the optical fibers 34 (not shown in FIG. 4) to a member is illustrated at 70. The tape 70 is similar to the tape 40 at the portions 56 having the adhesive 22 adhered thereto. The tape 70 differs where there is not adhesive as in portion 74. A strip 78 is spliced into the tape 70 at portion 74. As such the strip 78 connects longitudinally adjacent ends 82, 86 of two of the support members 44 that are positioned longitudinally adjacent one another. A thickness 90 of the strip 78 in this embodiment is substantially the same as a thickness 94 of the support member 44 with the adhesive 22 adhered thereto as in the portions 56. The strip 78 in this embodiment is a polymer with structural properties similar to that of the support member 44 with the adhesive 22 attached to facilitate handling of the tape 70 such as

during rolling and unrolling it and while applying it around the core 14. Polymers that are well suited for the strip 78 include, for example, polyimide and vinyl.

[0019] The adhesive 22 in embodiments disclosed herein can be an epoxy that is premixed and partially cured. The partial curing hardens the epoxy into a solid so that it can be more easily handled, such as by applying it to the support member 44 and rolling it into rolls. This hardened state is sometimes referred to as the B-stage. Increasing temperature of the B-stage epoxy causes it to melt thereby allowing it to bond to parts it is in contact with while aiding in the completion of curing of the epoxy.

[0020] The system 10 is employable in industries wherein it is used in an earth formation borehole. Such industries include the hydrocarbon recovery and carbon dioxide sequestration industries. Temperatures in such boreholes can reach into the hundreds of degrees which is sufficient to melt and finish curing of the B-stage epoxy. In such applications the system 10 can be applied along a tubular such as a tool string, a liner or a casing to sense parameters of the tubular.

[0021] Referring to Figure 5, the tape 40, 70 is shown while being applied to the core 14. The tape 40, 70 is helically wrapped around the core 14 after the optical fibers 34 are positioned along the core 14. It should be noted that the optical fibers 34 can be helically wrapped around the core 14 or can be run substantially parallel to the core 14. If the fibers 34 are run parallel to the core 14 use of three or more of the fibers 34 allows differential sensing between the fibers 34 to determine bending strain, for example. Optionally, regardless of how the optical fibers 34 are oriented relative to the core 14, the optical fibers 34 may be positioned within channels 98 formed in the core 14. Such channels 98 help to locate the optical fibers 34 prior to application of the tape 40, 70, for example. Regardless, of whether the channels 98 are employed the portions 60, 74 without the adhesive 22 provide a longitudinal section of the assembly that allows the sheath 18 to be removed and the optical fibers 34 to be easily separated from the core 14 and the sheath 18 (not shown in Figures 5 and 6) for splicing thereof.

[0022] Referring to Figure 6, the tape 40, 70 is shown while being applied to the core 14 in an alternate fashion. In this embodiment the tape 40, 70 is rolled around the core 14, while the optical fibers 34 are positioned therealong in a fashion similar to paper being rolled around a cigarette.

[0023] While the invention has been described with reference to an exemplary embodiment or embodiments, it will be understood by those skilled in the art that various changes may be made and equivalents may be substituted for elements thereof without

departing from the scope of the invention. In addition, many modifications may be made to adapt a particular situation or material to the teachings of the invention without departing from the essential scope thereof. Therefore, it is intended that the invention not be limited to the particular embodiment disclosed as the best mode contemplated for carrying out this invention, but that the invention will include all embodiments falling within the scope of the claims. Also, in the drawings and the description, there have been disclosed exemplary embodiments of the invention and, although specific terms may have been employed, they are unless otherwise stated used in a generic and descriptive sense only and not for purposes of limitation, the scope of the invention therefore not being so limited. Moreover, the use of the terms first, second, etc. do not denote any order or importance, but rather the terms first, second, etc. are used to distinguish one element from another. Furthermore, the use of the terms a, an, etc. do not denote a limitation of quantity, but rather denote the presence of at least one of the referenced item.

CLAIMS

What is claimed is:

1. A splicable fiber optic sensing system characterized by:
a core;
a sheath surrounding the core;
an adhesive disposed between the core and the sheath at some locations and not at other locations; and
at least one optical fiber disposed between the core and the sheath being sense transmissively locked to the core by the adhesive at the locations containing the adhesive.
2. The splicable fiber optic sensing system of claim 1, wherein the senses that are transmissive through the sense transmissive locking include strain, pressure, temperature, acoustic energy, stress, vibration, and combinations of the foregoing.
3. The splicable fiber optic sensing system of claim 1, wherein the at least one optical fiber is helically wrapped around the core.
4. The splicable fiber optic sensing system of claim 1, wherein the at least one optical fiber is three optical fibers.
5. The splicable fiber optic sensing system of claim 1, wherein the adhesive binds the at least one optical fiber to the sheath.
6. The splicable fiber optic sensing system of claim 1, wherein the adhesive binds the sheath to the core.
7. The splicable fiber optic sensing system of claim 1, wherein the at least one optical fiber is not bonded to the sheath at locations without adhesive.
8. The splicable fiber optic sensing system of claim 1, wherein the at least one optical fiber is easily separable from the core and the sheath in locations without adhesive.
9. The splicable fiber optic sensing system of claim 1, wherein the locations with the adhesive are longitudinally displaced from locations without the adhesive.
10. A method of forming a splicable fiber optic sensing system characterized by:
positioning at least one optical fiber in an annular space defined between a core and a sheath; and
bonding the at least one optical fiber to at least one of the core and the sheath with an adhesive in some locations while not bonding the at least one optical fiber to at least one of the core and the sheath at other locations.

11. The method of forming a splicable fiber optic sensing system of claim 10, further characterized by positioning adhesive in the locations where bonding of the at least one optical fiber to at least one of the core and the sheath is desired.

12. The method of forming a splicable fiber optic sensing system of claim 10, further characterized by adhering the sheath to the core in locations where adhesive is positioned.

13. The method of forming a splicable fiber optic sensing system of claim 10, further characterized by wrapping a film around the at least one optical fiber and the core prior to the sheath being applied therearound, the film including portions with adhesive and portions without adhesive.

14. The method of forming a splicable fiber optic sensing system of claim 13, further characterized by wrapping the film helically around the core.

15. The method of forming a splicable fiber optic sensing system of claim 13, further characterized by wrapping the film longitudinally around the core.

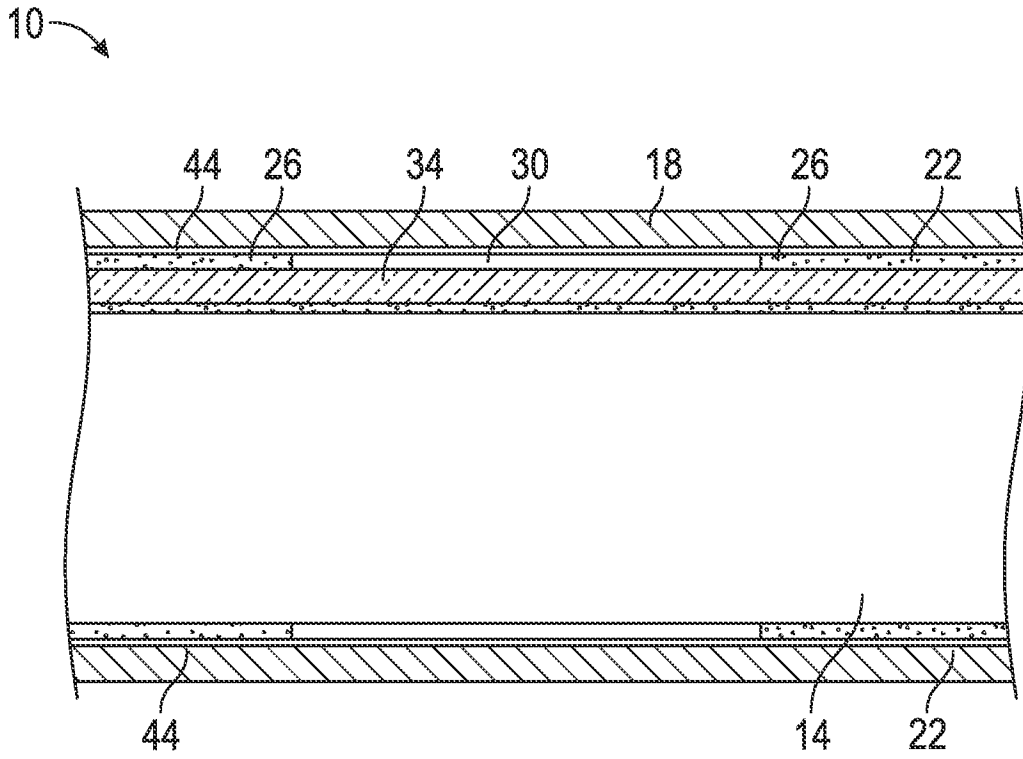


FIG. 1

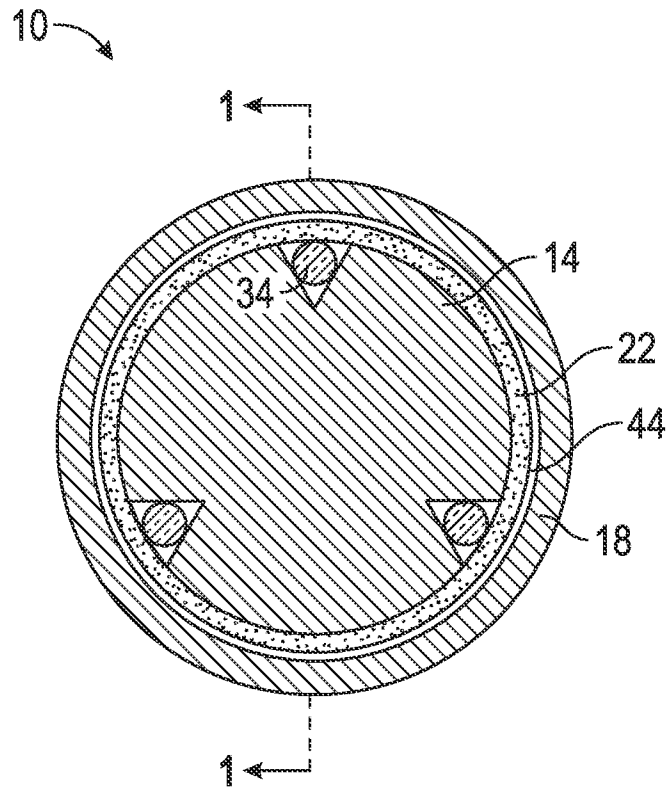


FIG. 2

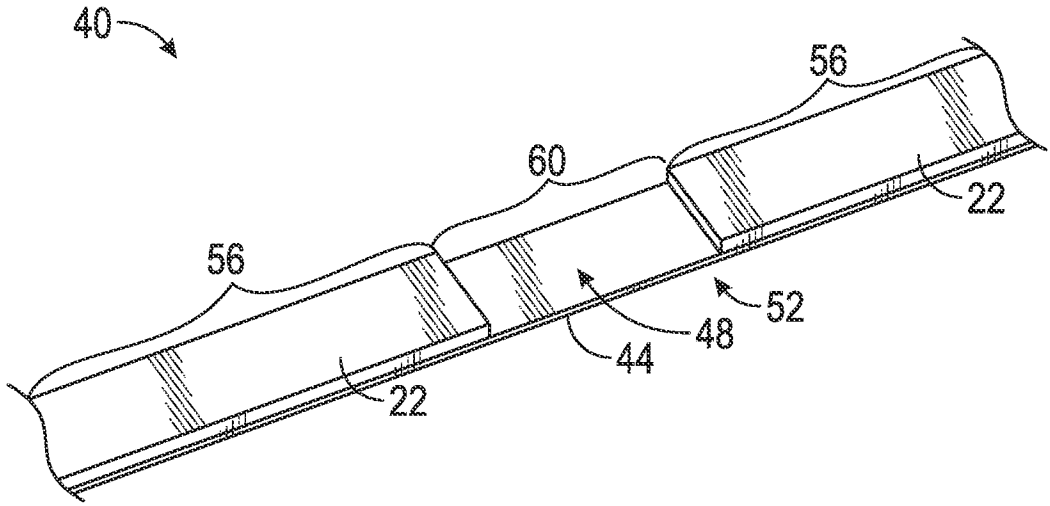


FIG. 3

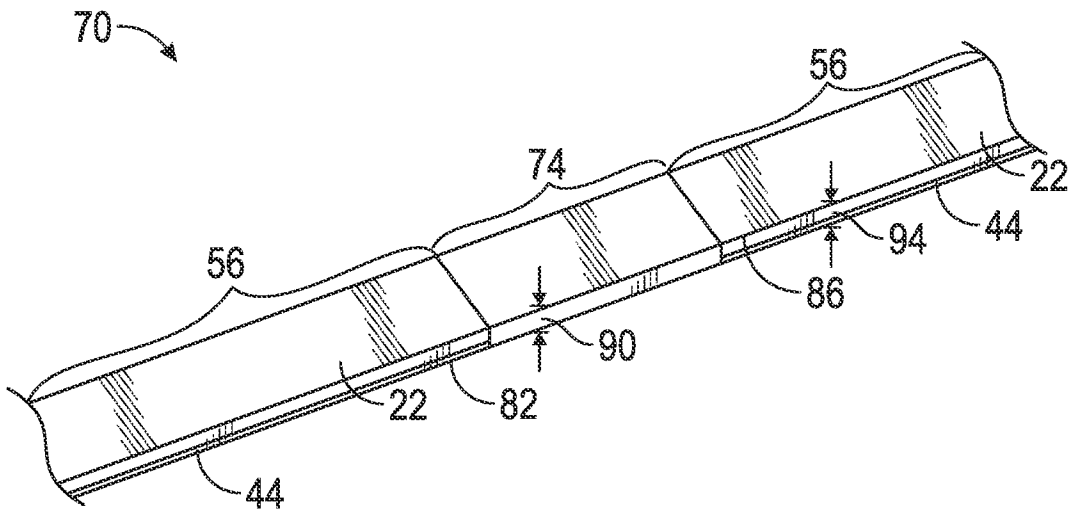


FIG. 4

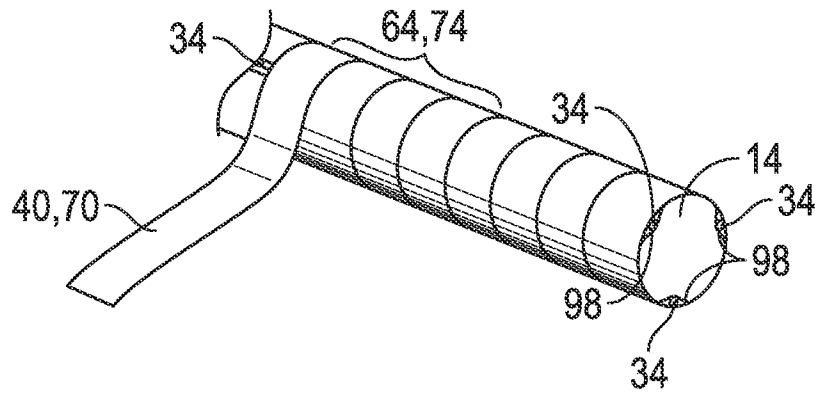


FIG. 5

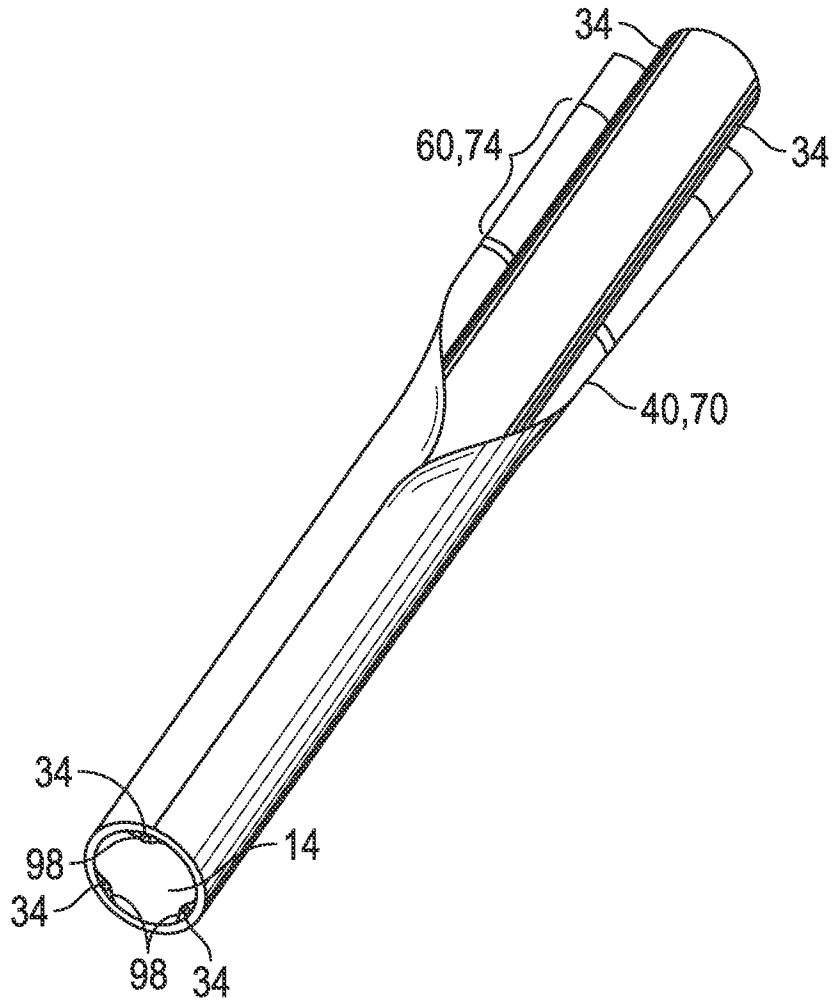


FIG. 6

INTERNATIONAL SEARCH REPORT

International application No.
PCT/US2014/071495**A. CLASSIFICATION OF SUBJECT MATTER****E21B 47/002(2012.01)i, G01N 21/01(2006.01)j**

According to International Patent Classification (IPC) or to both national classification and IPC

B. FIELDS SEARCHEDMinimum documentation searched (classification system followed by classification symbols)
E21B 47/002; G02B 6/04; G02B 6/44; G01N 21/01Documentation searched other than minimum documentation to the extent that such documents are included in the fields searched
Korean utility models and applications for utility models
Japanese utility models and applications for utility modelsElectronic data base consulted during the international search (name of data base and, where practicable, search terms used)
eKOMPASS(KIPO internal) & Keywords: downhole, split, fiber, optic, sensor, core, sheath, adhesive**C. DOCUMENTS CONSIDERED TO BE RELEVANT**

Category*	Citation of document, with indication, where appropriate, of the relevant passages	Relevant to claim No.
A	US 6,574,400 B1 (LAIL, JASON C.) 03 June 2003 See column 2, line 66 - column 3, line 12; and figures 1-2.	1-15
A	US 2001-0043781 A1 (YOKOKAWA et al.) 22 November 2001 See paragraphs [0030], [0043]; and figures 3A-3B.	1-15
A	US 6,181,857 B1 (EMETERIO et al.) 30 January 2001 See column 3, lines 28-44; and figures 3-4.	1-15
A	US 2010-0142903 A1 (DOWD et al.) 10 June 2010 See paragraphs [0032]-[0035]; and figure 1.	1-15
A	EP 1942324 A1 (BAKER HUGHES INCORPORATED) 09 July 2008 See paragraphs [0044]-[0048]; and figure 1.	1-15

 Further documents are listed in the continuation of Box C. See patent family annex.

* Special categories of cited documents:

"A" document defining the general state of the art which is not considered to be of particular relevance

"E" earlier application or patent but published on or after the international filing date

"L" document which may throw doubts on priority claim(s) or which is cited to establish the publication date of another citation or other special reason (as specified)

"O" document referring to an oral disclosure, use, exhibition or other means

"P" document published prior to the international filing date but later than the priority date claimed

"T" later document published after the international filing date or priority date and not in conflict with the application but cited to understand the principle or theory underlying the invention

"X" document of particular relevance; the claimed invention cannot be considered novel or cannot be considered to involve an inventive step when the document is taken alone

"Y" document of particular relevance; the claimed invention cannot be considered to involve an inventive step when the document is combined with one or more other such documents, such combination being obvious to a person skilled in the art

"&" document member of the same patent family

Date of the actual completion of the international search

13 April 2015 (13.04.2015)

Date of mailing of the international search report

14 April 2015 (14.04.2015)

Name and mailing address of the ISA/KR

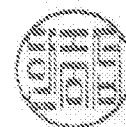
International Application Division
Korean Intellectual Property Office
189 Cheongsa-ro, Seo-gu, Daejeon Metropolitan City, 302-701,
Republic of Korea

Facsimile No. ++82 42 472 7140

Authorized officer

HAN, Joong Sub

Telephone No. +82-42-481-5606



INTERNATIONAL SEARCH REPORT

Information on patent family members

International application No.

PCT/US2014/071495

Patent document cited in search report	Publication date	Patent family member(s)	Publication date
US 6574400 B1	03/06/2003	CA 2265176 A1	26/09/1999
US 2001-0043781 A1	22/11/2001	JP 2001-264602 A US 6545222 B2	26/09/2001 08/04/2003
US 6181857 B1	30/01/2001	AT 331968 T DE 60029048 T2 DK 1052533 T3 EP 1052533 A1 EP 1052533 B1 EP 1052533 B9 ES 2264661 T3	15/07/2006 04/01/2007 02/10/2006 15/11/2000 28/06/2006 13/06/2007 16/01/2007
US 2010-0142903 A1	10/06/2010	CA 2465179 A1 CA 2465179 C CA 2662999 A1 CA 2662999 C CA 2712539 A1 CA 2712539 C GB 2460918 A GB 2460918 B US 2004-0213529 A1 US 2006-0182398 A1 US 2008-0247718 A1 US 7024081 B2 US 7424190 B2 US 7646953 B2 US 8111960 B2	24/10/2004 02/11/2010 16/12/2009 14/08/2012 24/10/2004 07/01/2014 23/12/2009 30/01/2013 28/10/2004 17/08/2006 09/10/2008 04/04/2006 09/09/2008 12/01/2010 07/02/2012
EP 1942324 A1	09/07/2008	EP 1664706 A2 EP 1664706 B1 EP 1942324 B1 US 2005-0050962 A1 US 2007-0006663 A1 US 7104141 B2 US 7421905 B2 WO 2005-024365 A2 WO 2005-024365 A3	07/06/2006 27/07/2011 11/04/2012 10/03/2005 11/01/2007 12/09/2006 09/09/2008 17/03/2005 30/03/2006