

(19) World Intellectual Property Organization
International Bureau



(43) International Publication Date
18 June 2009 (18.06.2009)

PCT

(10) International Publication Number
WO 2009/076442 A3

(51) International Patent Classification:

B23C 5/20 (2006.01) B23B 29/00 (2006.01)
B23C 5/22 (2006.01) B23B 29/04 (2006.01)
B23B 27/16 (2006.01)

(21) International Application Number:

PCT/US2008/086234

(22) International Filing Date:

10 December 2008 (10.12.2008)

(25) Filing Language:

English

(26) Publication Language:

English

(30) Priority Data:

61/012,621 10 December 2007 (10.12.2007) US
11/956,520 14 December 2007 (14.12.2007) US

(71) Applicant (for all designated States except US): **KEN-NAMETAL INC.** [US/US]; 1600 Technology Way, P.O. Box 231, Latrobe, Pennsylvania 15650-0231 (US).

(72) Inventors; and

(75) Inventors/Applicants (for US only): **FROTA DE SOUZA, FILHO, Ruy** [BR/US]; 213 Shenandoah Drive, Latrobe, Pennsylvania 15650 (US). **SOUTH, Adam** [US/US]; 617 Chestnut Street, Irwin, Pennsylvania 15642 (US). **HYATT, Gregory, A.** [US/US]; 9 Gregory Lane, South Barrington, Illinois 60010 (US). **BROWN, Paul, A.** [US/US]; 17 First Street, P.O. Box 88, Hostetter, Pennsylvania 15638 (US). **ANDRAS, Linn** [US/US]; 113 Lavender Lane, Ligonier, Pennsylvania 15658 (US). **MASSA, Ted, R.** [US/US]; 53 Orchard Drive, Latrobe, Pennsylvania 15650 (US). **CHAPHALKAR, Nitin** [US/US]; 1830 W. Palm Drive #252, Mount Prospect, Illinois 60056 (US).

(74) Agents: **MEENAN, Larry, R.** et al.; 1600 Technology Way, P.O. Box 231, Latrobe, Pennsylvania 15650-0231 (US).

(81) Designated States (unless otherwise indicated, for every kind of national protection available): AE, AG, AL, AM, AO, AT, AU, AZ, BA, BB, BG, BH, BR, BW, BY, BZ, CA, CH, CN, CO, CR, CU, CZ, DE, DK, DM, DO, DZ, EC, EE, EG, ES, FI, GB, GD, GE, GH, GM, GT, HN, HR, HU, ID, IL, IN, IS, JP, KE, KG, KM, KN, KP, KR, KZ, LA, LC, LK, LR, LS, LT, LU, LY, MA, MD, ME, MG, MK, MN, MW, MX, MY, MZ, NA, NG, NI, NO, NZ, OM, PG, PH, PL, PT, RO, RS, RU, SC, SD, SE, SG, SK, SL, SM, ST, SV, SY, TJ, TM, TN, TR, TT, TZ, UA, UG, US, UZ, VC, VN, ZA, ZM, ZW.

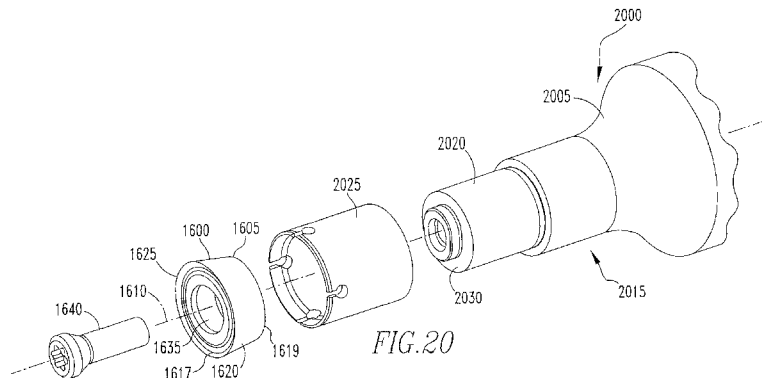
(84) Designated States (unless otherwise indicated, for every kind of regional protection available): ARIPO (BW, GH, GM, KE, LS, MW, MZ, NA, SD, SL, SZ, TZ, UG, ZM, ZW), Eurasian (AM, AZ, BY, KG, KZ, MD, RU, TJ, TM), European (AT, BE, BG, CH, CY, CZ, DE, DK, EE, ES, FI, FR, GB, GR, HR, HU, IE, IS, IT, LT, LU, LV, MC, MT, NL, NO, PL, PT, RO, SE, SI, SK, TR), OAPI (BF, BJ, CF, CG, CI, CM, GA, GN, GQ, GW, ML, MR, NE, SN, TD, TG).

Published:

- with international search report (Art. 21(3))
- before the expiration of the time limit for amending the claims and to be republished in the event of receipt of amendments (Rule 48.2(h))

(88) Date of publication of the international search report:
17 September 2009

(54) Title: ASSEMBLY FOR ROTATING A CUTTING INSERT DURING A TURNING OPERATION AND INSERTS USED THEREIN



INTERNATIONAL SEARCH REPORT

International application No.
PCT/US2008/086234**A. CLASSIFICATION OF SUBJECT MATTER***B23C 5/20(2006.01)i, B23C 5/22(2006.01)i, B23B 27/16(2006.01)i, B23B 29/00(2006.01)i, B23B 29/04(2006.01)i*

According to International Patent Classification (IPC) or to both national classification and IPC

B. FIELDS SEARCHED

Minimum documentation searched (classification system followed by classification symbols)

IPC B23C 5/20, B23C 5/22, B23B 27/16, B23B 29/00 and B23B 29/04

Documentation searched other than minimum documentation to the extent that such documents are included in the fields searched

Korean Utility models and applications for Utility models since 1975
Japanese Utility models and applications for Utility models since 1975

Electronic data base consulted during the international search (name of data base and, where practicable, search terms used)

eKOMPASS(KIPO internal) & keywords : tool holder, bore, slot, bolt, taper, sleeve and cutting insert.

C. DOCUMENTS CONSIDERED TO BE RELEVANT

Category*	Citation of document, with indication, where appropriate, of the relevant passages	Relevant to claim No.
X	WO 2006-028866 A2 (KENNAMETAL INC.) 16 March 2006 See figures 5-6 and paragraphs 33-35.	1,2,4-7,20,21,23-25
Y		8,26
Y	JP 2002-144112 A (MITSUBISHI MATERIALS CORP.) 21 May 2002 See figure 6 and abstract.	8,26
A	WO 2005-021191 A2 (KENNAMETAL INC.) 10 March 2005 See figures 6-13.	1,2,4-7,20,21,23-25

 Further documents are listed in the continuation of Box C. See patent family annex.

* Special categories of cited documents:

"A" document defining the general state of the art which is not considered to be of particular relevance

"E" earlier application or patent but published on or after the international filing date

"L" document which may throw doubts on priority claim(s) or which is cited to establish the publication date of citation or other special reason (as specified)

"O" document referring to an oral disclosure, use, exhibition or other means

"P" document published prior to the international filing date but later than the priority date claimed

"T" later document published after the international filing date or priority date and not in conflict with the application but cited to understand the principle or theory underlying the invention

"X" document of particular relevance; the claimed invention cannot be considered novel or cannot be considered to involve an inventive step when the document is taken alone

"Y" document of particular relevance; the claimed invention cannot be considered to involve an inventive step when the document is combined with one or more other such documents, such combination being obvious to a person skilled in the art

"&" document member of the same patent family

Date of the actual completion of the international search

20 JULY 2009 (20.07.2009)

Date of mailing of the international search report

20 JULY 2009 (20.07.2009)

Name and mailing address of the ISA/KR

Korean Intellectual Property Office
Government Complex-Daejeon, 139 Seonsa-ro, Seo-
gu, Daejeon 302-701, Republic of Korea

Facsimile No. 82-42-472-7140

Authorized officer

BANG Kyung Geun

Telephone No. 82-42-481-8429



INTERNATIONAL SEARCH REPORT

Information on patent family members

International application No.

PCT/US2008/086234

Patent document cited in search report	Publication date	Patent family member(s)	Publication date		
WO 2006-028866 A2	16.03.2006	CA 2577153 A1	16.03.2006		
		CN 101076418 A	21.11.2007		
		EP 1786583 A2	23.05.2007		
		JP 2008-512264 A	24.04.2008		
		KR 10-2007-0041594 A	18.04.2007		
		US 2006-0051167 A1	09.03.2006		
		US 07325471 B2	05.02.2008		
		WO 2006-028866 A3	16.03.2006		
		=====	=====	=====	=====
JP 2002-144112 A	21.05.2002	None			
=====	=====	=====	=====		
WO 2005-021191 A2	10.03.2005	CN 100398236 C	02.07.2008		
		CN 1859992 A	08.11.2006		
		CN 1859992 C0	08.11.2006		
		EP 1660260 A2	31.05.2006		
		JP 2007-504011 A	01.03.2007		
		KR 10-2007-0015104 A	01.02.2007		
		US 2007-0101837 A1	10.05.2007		
		US 2008-0232909 A1	25.09.2008		
		US 2005-0047885 A1	03.03.2005		
		US 07156006 B2	02.01.2007		
		WO 2005-021191 A3	10.03.2005		