



US00D475613S

(12) **United States Design Patent** (10) **Patent No.:** **US D475,613 S**
Mullane (45) **Date of Patent:** **** Jun. 10, 2003**

(54) **SNOW STOP**

OTHER PUBLICATIONS

(76) Inventor: **Michael J. Mullane**, 37 Vinal St., Hudson, MA (US) 01749

(**) Term: **14 Years**

(21) Appl. No.: **29/156,910**

(22) Filed: **Mar. 8, 2002**

Berger Building Products Corp., "Your One Stop Snow Guard Shop," Bergerbros.com, 1997, nominal, downloaded Sep. 26, 2000, including Real-Tool® and Snow Brakes® snowguards, models RT-200, RT-300, AP-300, AP-400, AP-516, SM, RTCLSM, RTCLSR, SB-190, No. 100, No. 100 Shoe, No. 1, No. 20, No. 2, No. 95, and SGLLC1. M.J. Mullane Co., "Cast Snow & Ice Guards," brochure. M.J. Mullane Co., "Snow Guards," brochure. Snoblox, *Metal Architecture*, Aug. 2001, ad, p. 62. Snojax Inc., *Metal Construction News*, ca. Jan. 1993, "A Space Age Snowguard for Metal Roof Surface," ad.

Related U.S. Application Data

(63) Continuation-in-part of application No. 29/148,939, filed on Sep. 28, 2001, now Pat. No. Des. 457,423, which is a continuation-in-part of application No. 29/131,960, filed on Oct. 30, 2001, now Pat. No. Des. 455,068.

(51) **LOC (7) Cl.** **08-99**

(52) **U.S. Cl.** **D8/499**

(58) **Field of Search** D8/499; 52/24, 52/25, 26, 98

* cited by examiner

Primary Examiner—Brian N. Vinson

(74) *Attorney, Agent, or Firm*—Christopher John Rudy

(57) **CLAIM**

The ornamental design for a snow stop, as shown and described.

(56) **References Cited**

DESCRIPTION

U.S. PATENT DOCUMENTS

| | | | |
|-------------|-----------|--------------------|---------|
| D30,788 S | 5/1899 | Clark | |
| 3,296,750 A | 1/1967 | Zaleski | |
| D254,051 S | 1/1980 | Zaleski | |
| 5,282,340 A | 2/1994 | Cline et al. | |
| 5,343,659 A | 9/1994 | Zaleski | |
| D351,989 S | 11/1994 | Cline et al. | |
| 5,371,979 A | 12/1994 | Kwiatkowski et al. | |
| D360,476 S | * 7/1995 | Smeja et al. | D25/199 |
| D364,338 S | 11/1995 | Cline | |
| D364,556 S | 11/1995 | Lee et al. | |
| 5,471,799 A | 12/1995 | Smeja et al. | |
| 5,522,185 A | 6/1996 | Cline | |
| D372,421 S | 8/1996 | Cline | |
| 5,570,557 A | 11/1996 | Kwiatkowski et al. | |
| 5,655,334 A | 8/1997 | Kwiatkowski | |
| 5,664,374 A | 9/1997 | Lee | |
| D387,443 S | * 12/1997 | Blankenbiller | D25/199 |
| D397,809 S | * 9/1998 | Nelson et al. | D25/199 |
| 5,901,507 A | 5/1999 | Smeja et al. | |
| D418,403 S | 1/2000 | Cline | |
| D419,863 S | 2/2000 | Mullane | |
| D440,672 S | * 4/2001 | Alexander | D25/199 |

FIG. 1 is top view of a snow stop of the invention and showing my new design, which is made of an opaque material, its base having holes and a grooved, rough surfaced bottom;

FIG. 2 is a bottom view thereof;

FIG. 3 is a front view thereof;

FIG. 4 is a left side view thereof; its right side being a mirror image whereof;

FIG. 5 is a rear view thereof;

FIG. 6 is a top, left, rear perspective view thereof; and

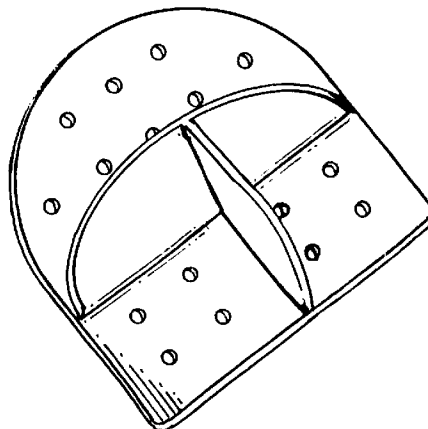
FIG. 7 shows detail of bottom slots or grooves in the base thereof.

FIG. 8 is a top view of another embodiment of a snow stop of the invention and showing my new design, which is made of an opaque material, its base without holes but having a grooved, rough surfaced bottom;

FIG. 9 is a bottom view thereof; and,

FIG. 10 is a top, left, rear perspective view thereof, with the remaining views being otherwise akin to FIGS. 3-5 and 7.

1 Claim, 2 Drawing Sheets



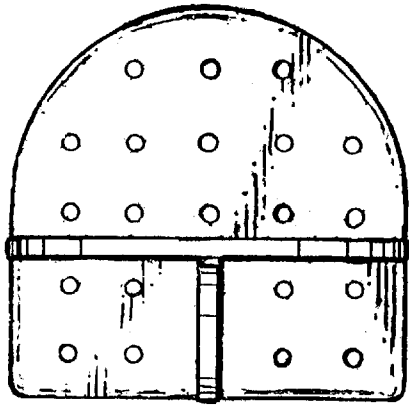


FIG. 1

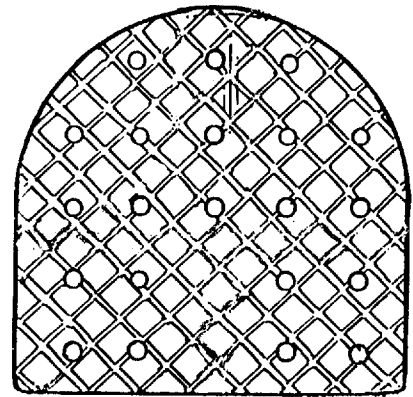


FIG. 2

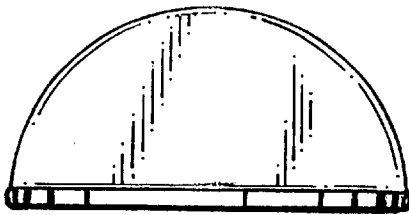


FIG. 3

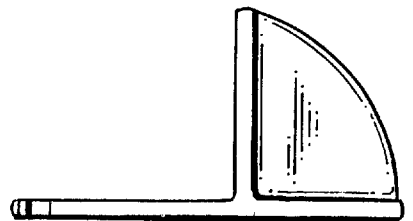


FIG. 4

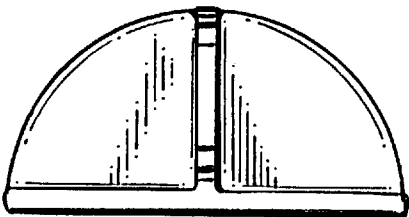


FIG. 5



FIG. 7

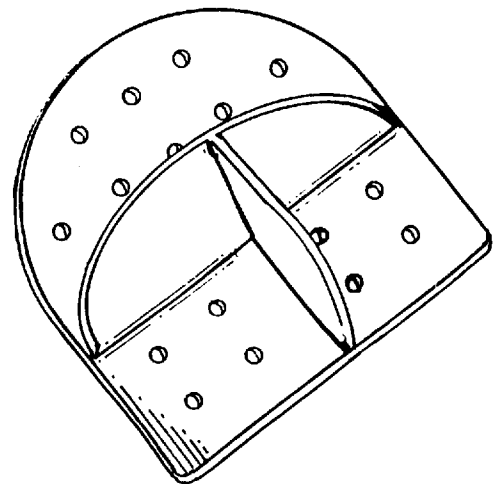


FIG. 6

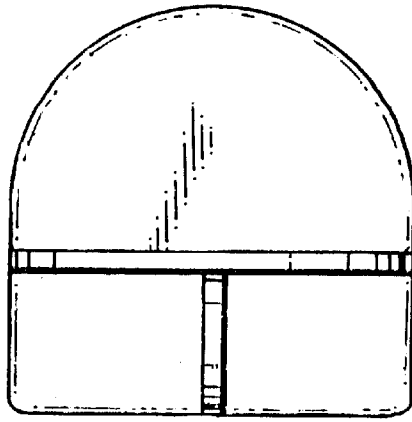


FIG. 8

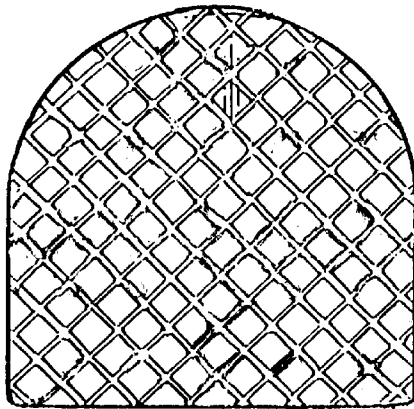


FIG. 9

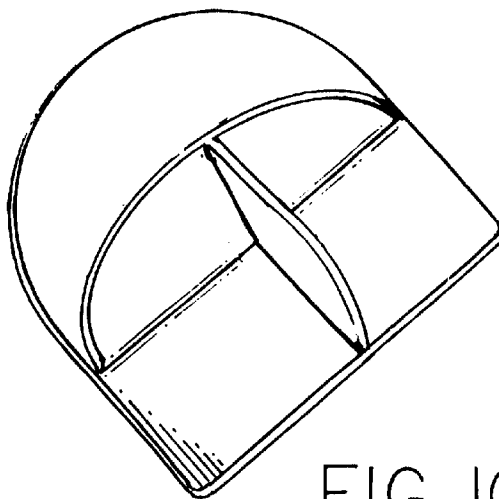


FIG. 10