



US00D568942S

(12) **United States Design Patent**
Gauselmann

(10) **Patent No.:** **US D568,942 S**

(45) **Date of Patent:** **** May 13, 2008**

(54) **CONSOLE**

(75) Inventor: **Paul Gauselmann**, Espelkamp (DE)

(73) Assignee: **adp Gauselmann GmbH**, Espelkamp (DE)

(**) Term: **14 Years**

(21) Appl. No.: **29/245,407**

(22) Filed: **Dec. 22, 2005**

(30) **Foreign Application Priority Data**

Jun. 27, 2005 (EM) 000364856-0001

(51) **LOC (8) Cl.** **21-01**

(52) **U.S. Cl.** **D21/333; D21/325**

(58) **Field of Classification Search** D21/324,
D21/325, 328, 333, 361; D6/407, 474; 211/40-43;
273/148 B, 274; 463/1, 13, 26-28, 46, 47;
345/156, 418

See application file for complete search history.

(56) **References Cited**

U.S. PATENT DOCUMENTS

3,788,700 A * 1/1974 Wartes 297/440.13
D292,254 S * 10/1987 Matilo D6/468
4,760,928 A * 8/1988 Bustos 211/59.4
4,789,163 A * 12/1988 Warner et al. 273/336
D328,203 S * 7/1992 Allen D6/437
D339,828 S * 9/1993 Calabro et al. D21/325
5,853,324 A * 12/1998 Kami et al. 463/2
D438,403 S * 3/2001 Greenburg D6/466

6,290,229 B1 * 9/2001 Perez 273/148 R
D459,759 S * 7/2002 Shepherd et al. D21/333
D509,700 S * 9/2005 Weatherby D6/630

FOREIGN PATENT DOCUMENTS

ES 114 385/9/ 11/1987

* cited by examiner

Primary Examiner—Prabhakar Deshmukh

(74) *Attorney, Agent, or Firm*—Ursula B. Day

(57) **CLAIM**

The ornamental design for a console, as shown and described.

DESCRIPTION

FIG. 1 is a front and right side perspective view of the console showing my new design;

FIG. 2 is a right side elevational view thereof, the left side being a mirror image thereof;

FIG. 3 is back elevational view thereof;

FIG. 4 is a top plan view thereof;

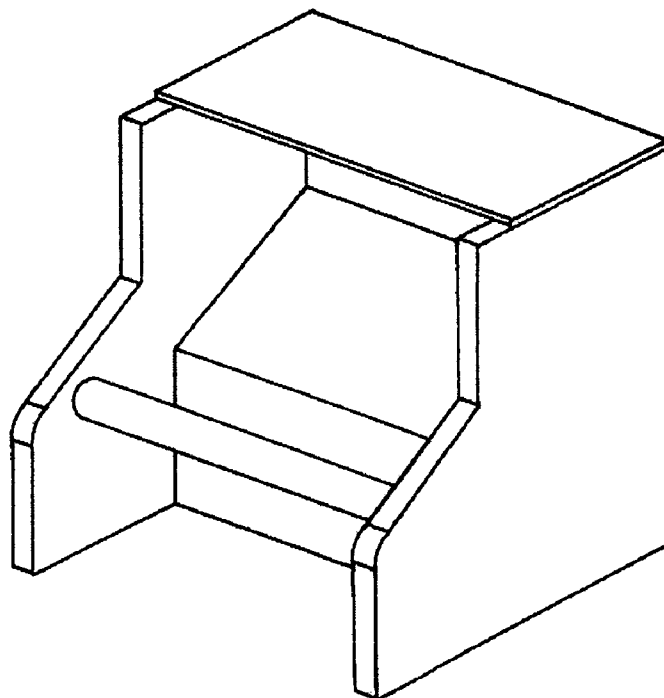
FIG. 5 is a bottom plan view thereof; and,

FIG. 6 is a front-side perspective view thereof and shows the article in it's environmental use.

The broken lines in FIG. 6 are for illustrative purpose only and form no part of the claimed design.

The portions of the rear elements shown in broken lines in FIG. 3 form no part of the claimed design.

1 Claim, 6 Drawing Sheets



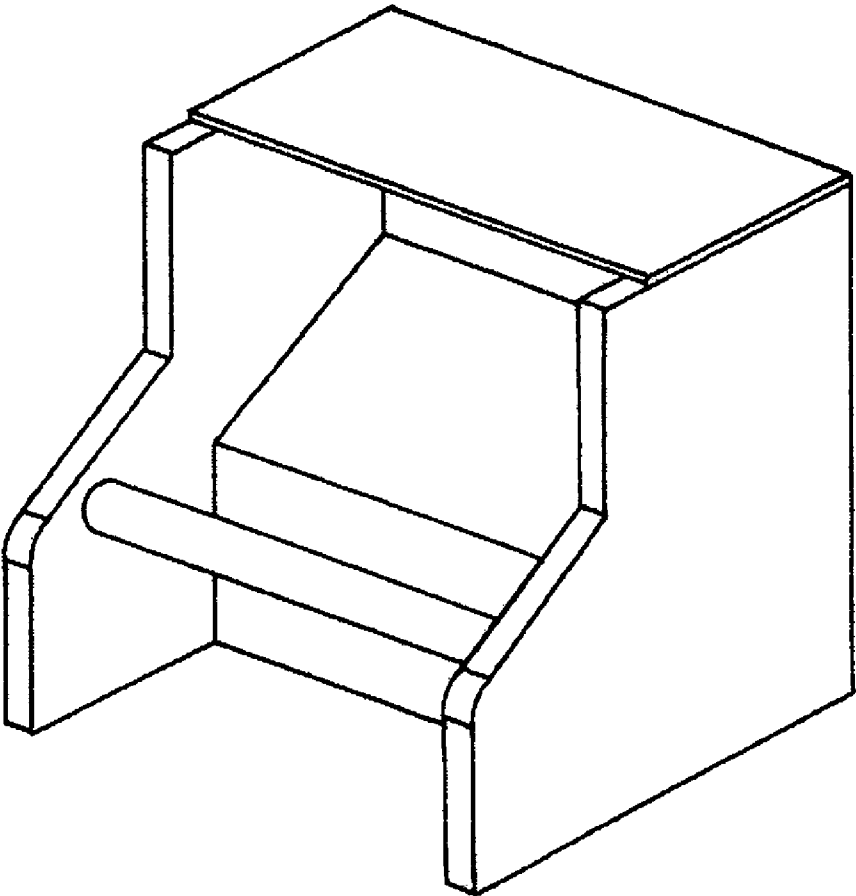


FIG. 1

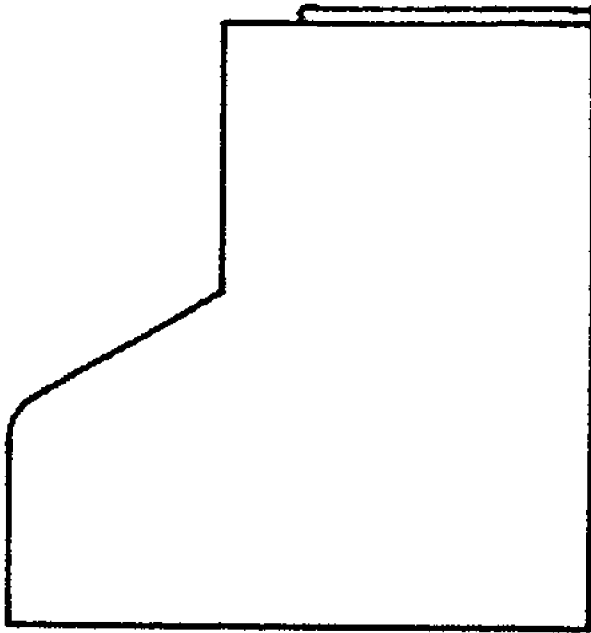


FIG. 2

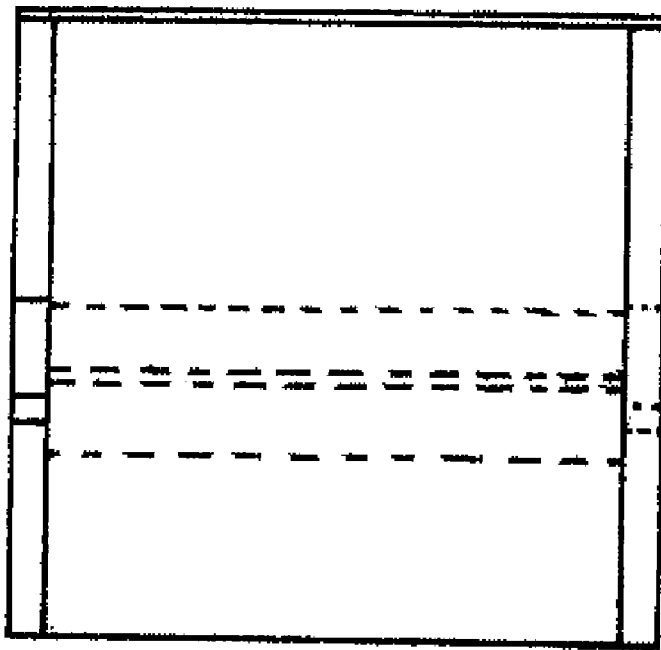


FIG. 3

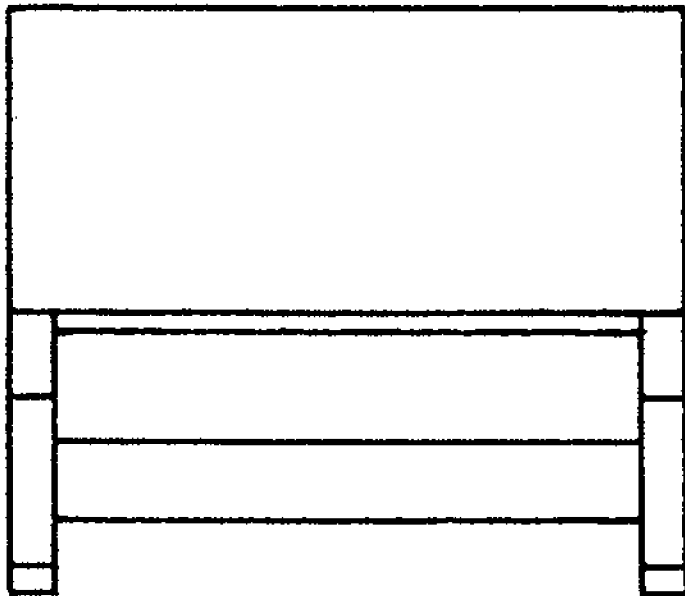


FIG. 4

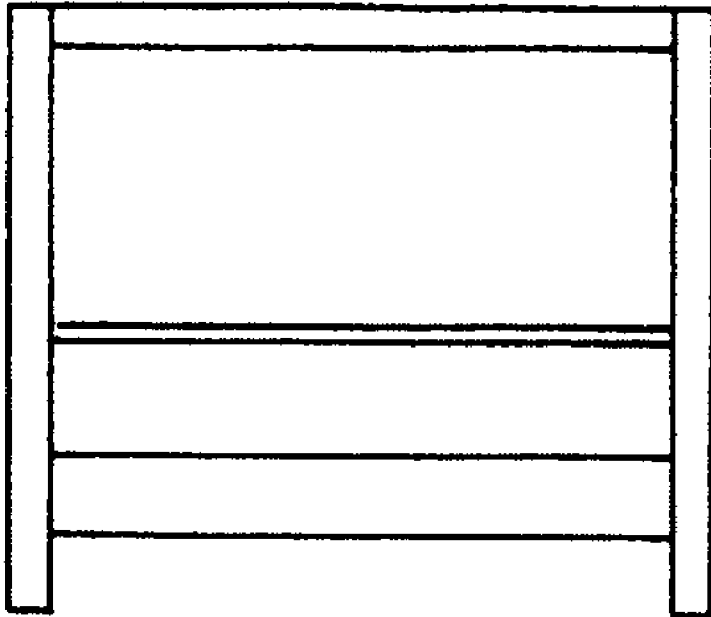


FIG. 5

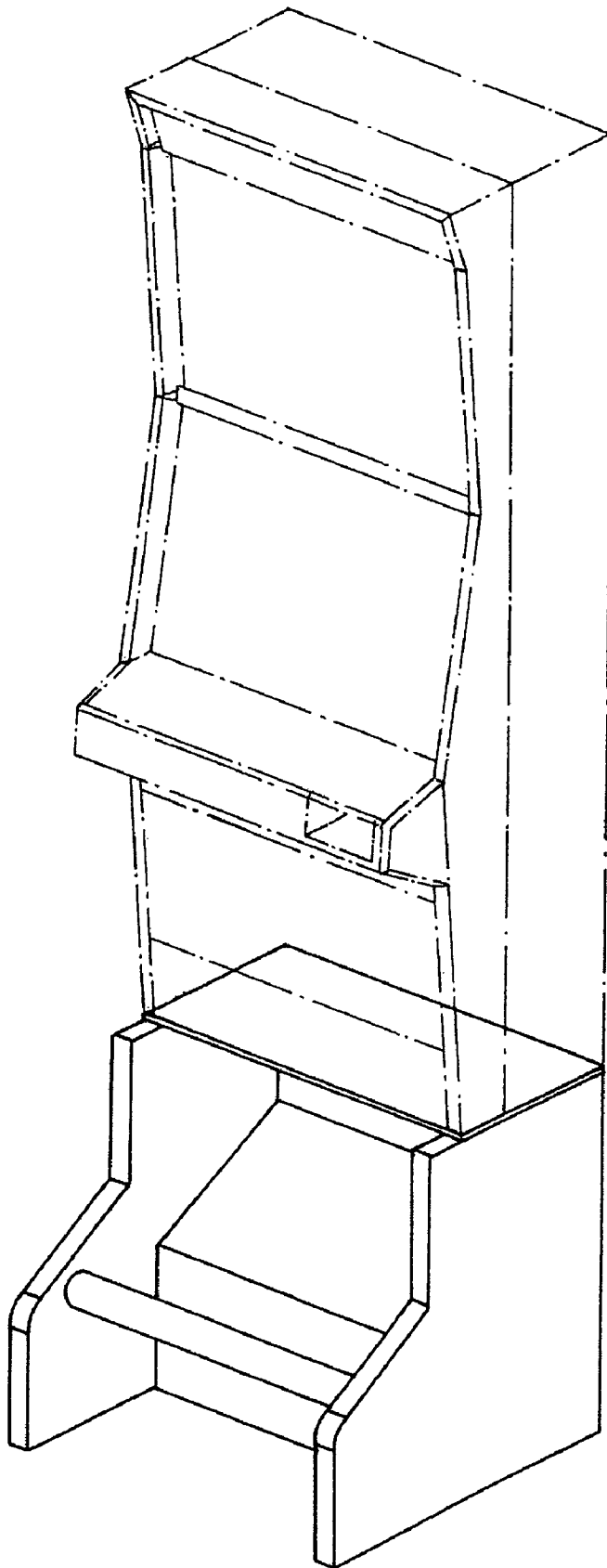


FIG. 6