

(19) World Intellectual Property
Organization
International Bureau



(43) International Publication Date
28 August 2003 (28.08.2003)

PCT

(10) International Publication Number
WO 2003/070295 A3

(51) International Patent Classification⁷: A61M 5/32

(21) International Application Number:
PCT/US2003/004287

(22) International Filing Date: 13 February 2003 (13.02.2003)

(25) Filing Language: English

(26) Publication Language: English

(30) Priority Data:
60/357,277 15 February 2002 (15.02.2002) US

CZ, DE, DK, DM, DZ, EC, EE, ES, FI, GB, GD, GE, GH, GM, HR, HU, ID, IL, IN, IS, JP, KE, KG, KP, KR, KZ, LC, LK, LR, LS, LT, LU, LV, MA, MD, MG, MK, MN, MW, MX, MZ, NO, NZ, OM, PH, PL, PT, RO, RU, SC, SD, SE, SG, SK, SL, TJ, TM, TN, TR, TT, TZ, UA, UG, UZ, VC, VN, YU, ZA, ZM, ZW.

(84) Designated States (regional): ARIPO patent (GH, GM, KE, LS, MW, MZ, SD, SL, SZ, TZ, UG, ZM, ZW), Eurasian patent (AM, AZ, BY, KG, KZ, MD, RU, TJ, TM), European patent (AT, BE, BG, CH, CY, CZ, DE, DK, EE, ES, FI, FR, GB, GR, HU, IE, IT, LU, MC, NL, PT, SE, SI, SK, TR), OAPI patent (BF, BJ, CF, CG, CI, CM, GA, GN, GQ, GW, ML, MR, NE, SN, TD, TG).

(71) Applicant: TAUT, INC. [US/US]; 2571 Kaneville Road, Geneva, IL 60134 (US).

(72) Inventor: MCFARLANE, Richard, H.; 1190 Singer Drive, Singer Island, FL 33404 (US).

(74) Agents: MALLOY, Jennie, S. et al.; Malloy & Malloy, P.A., 2800 S.W. Third Avenue, Miami, FL 33129 (US).

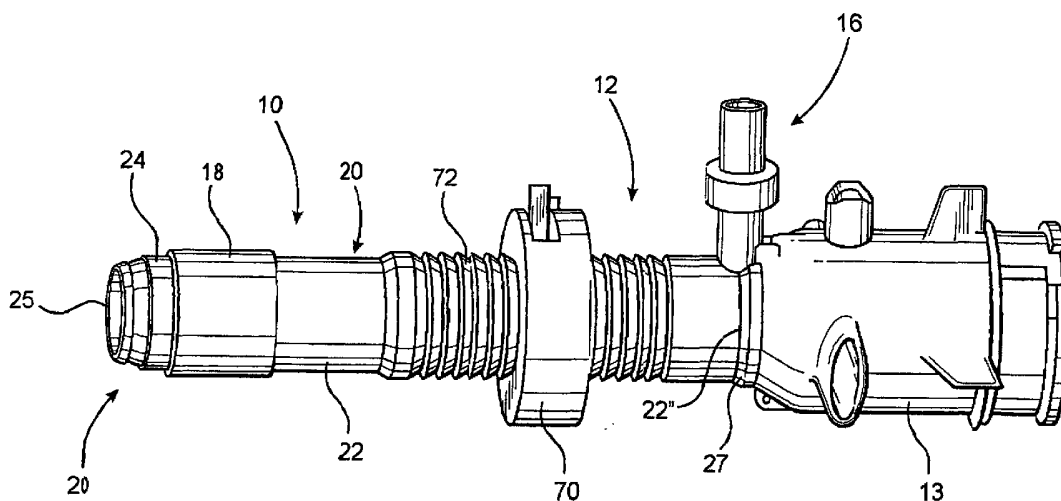
(81) Designated States (national): AE, AG, AL, AM, AT, AU, AZ, BA, BB, BG, BR, BY, BZ, CA, CH, CN, CO, CR, CU,

Published:
— with international search report
— before the expiration of the time limit for amending the claims and to be republished in the event of receipt of amendments

(88) Date of publication of the international search report:
29 July 2004

For two-letter codes and other abbreviations, refer to the "Guidance Notes on Codes and Abbreviations" appearing at the beginning of each regular issue of the PCT Gazette.

(54) Title: ANCHORING ASSEMBLY FOR A MEDICAL INSTRUMENT



(57) Abstract: An anchor assembly (10) for retaining a cannula (14) or other medical instrument within a body cavity and including an inflatable member (18) selectively disposed between an expanded position and a collapsed position. A mounting assembly is cooperatively disposed and structured with a base (28), underlying the inflatable member, so as to mechanically attach the inflatable member to an exterior of the cannula. The mechanical attachment is accomplished by one or more retaining segments (40, 42) on the inflatable member being disposed in a compressed or sandwiched orientation between the base and the mounting assembly.

WO 2003/070295 A3

INTERNATIONAL SEARCH REPORT

International application No.

PCT/US03/04287

A. CLASSIFICATION OF SUBJECT MATTER		
IPC(7) : A61M 5/32		
US CL : 604/174		
According to International Patent Classification (IPC) or to both national classification and IPC		
B. FIELDS SEARCHED		
Minimum documentation searched (classification system followed by classification symbols) U.S. : Please See Continuation Sheet		
Documentation searched other than minimum documentation to the extent that such documents are included in the fields searched		
Electronic data base consulted during the international search (name of data base and, where practicable, search terms used)		
C. DOCUMENTS CONSIDERED TO BE RELEVANT		
Category *	Citation of document, with indication, where appropriate, of the relevant passages	Relevant to claim No.
X, Y	US 5,700,243 A (NARCISO, Jr.) 23 December 1997 (23.12.1997), Figures 1-12	1-22 and 27-29
Y	US 5,147,316 A (CASTILLENTE) 15 September 1992 (15.09.1992), Figure 3.	23, 24
A	US 5,957,888 A (HINCHLIFFE) 28 September 1999 (28.09.1999). Figures 1-15.	1-29
A, P	US 6,375,637 B1 (CAMPBELL et al) 23 April 2002 (23.04.2002), Figures 1-5A.	1-29
<input type="checkbox"/> Further documents are listed in the continuation of Box C. <input type="checkbox"/> See patent family annex.		
* Special categories of cited documents:		
"A" document defining the general state of the art which is not considered to be of particular relevance	"T" later document published after the international filing date or priority date and not in conflict with the application but cited to understand the principle or theory underlying the invention	
"E" earlier application or patent published on or after the international filing date	"X" document of particular relevance; the claimed invention cannot be considered novel or cannot be considered to involve an inventive step when the document is taken alone	
"L" document which may throw doubts on priority claim(s) or which is cited to establish the publication date of another citation or other special reason (as specified)	"Y" document of particular relevance; the claimed invention cannot be considered to involve an inventive step when the document is combined with one or more other such documents, such combination being obvious to a person skilled in the art	
"O" document referring to an oral disclosure, use, exhibition or other means	"&" document member of the same patent family	
"P" document published prior to the international filing date but later than the priority date claimed		
Date of the actual completion of the international search	Date of mailing of the international search report	
30 May 2004 (30.05.2004)	18 JUN 2004	
Name and mailing address of the ISA/US Mail Stop PCT, Attn: ISA/US Commissioner for Patents P.O. Box 1450 Alexandria, Virginia 22313-1450 Facsimile No. (703) 305-3230	Authorized officer Mark K Han <i>Sharon J. Greene for</i> Telephone No. 703-308-0858	

INTERNATIONAL SEARCH REPORT

Continuation of B. FIELDS SEARCHED Item 1:

604/174, 96.01, 104, 105, 106, 107, 108, 164.01, 164.03, 164.04, 164.09, 164.1, 164.11, 264, 272, 178; 606/208, 167, 168, 169, 170, 171, 191, 192, 198