



US00D996486S

(12) **United States Design Patent**
Austrheim

(10) **Patent No.:** **US D996,486 S**

(45) **Date of Patent:** **** Aug. 22, 2023**

(54) **REMOTELY OPERATED STORAGE VEHICLE**

(71) Applicant: **Autostore Technology AS**, Nedre Vats (NO)

(72) Inventor: **Trond Austrheim**, Etne (NO)

(**) Term: **15 Years**

(21) Appl. No.: **35/513,154**

(22) Filed: **Jun. 17, 2021**

(80) **Hague Agreement Data**

Int. Filing Date: **Jun. 17, 2021**

Int. Reg. No.: **DM/215935**

Int. Reg. Date: **Jun. 17, 2021**

Int. Reg. Pub. Date: **Dec. 17, 2021**

(51) **LOC (14) Cl.** **15-99**

(52) **U.S. Cl.**
USPC **D15/199; D34/34**

(58) **Field of Classification Search**
USPC D7/605, 606, 629; D12/14, 86, 88, 90, D12/91; D15/199; D34/34
CPC B25J 5/007; B25J 11/008; B60G 5/01; B60G 2300/07; B62D 61/10; G05D 1/0238; G05D 1/0214; Y10S 901/01
See application file for complete search history.

(56) **References Cited**

U.S. PATENT DOCUMENTS

- D165,195 S * 11/1951 Schlumbohm 296/181.1
- D745,144 S * 12/2015 Aylmer D24/128
- D866,393 S * 11/2019 Asai D12/1
- D879,854 S * 3/2020 Lu D15/199
- D895,709 S * 9/2020 Okada D15/199
- D898,790 S * 10/2020 Sokuza D15/199
- D902,272 S * 11/2020 Cascajar Ordóñez D15/199
- D907,677 S * 1/2021 Mork D15/199
- D907,678 S * 1/2021 Cai D15/199
- D908,152 S * 1/2021 Cacioppo D15/199

- D909,441 S * 2/2021 Zhao D15/199
- D917,592 S * 4/2021 Mei D15/199
- D919,685 S * 5/2021 Fan D15/199
- D920,410 S * 5/2021 Chen D15/199
- D924,956 S * 7/2021 Pajevic D15/199
- D929,479 S * 8/2021 Gao D15/199
- D931,922 S * 9/2021 Srivastava D15/199
- D934,324 S * 10/2021 Hatteland A63H 11/00 D15/199
- D939,004 S * 12/2021 Gidwell D15/199
- D946,069 S * 3/2022 Mørk D15/199
- D950,616 S * 5/2022 Kapuria D15/199
- D958,214 S * 7/2022 Szucs D15/199
- D963,721 S * 9/2022 Tang D15/199
- D963,722 S * 9/2022 Hernandez D15/199
- D964,444 S * 9/2022 Meng D15/199
- 2019/0270200 A1* 9/2019 Sakai G05B 19/4182
- 2021/0339951 A1* 11/2021 Austrheim B65G 1/06

FOREIGN PATENT DOCUMENTS

- CN 113911608 A * 1/2022
- EP 2112963 B1 * 5/2018 B25J 11/0025
- JP 2006146552 A * 6/2006 G05D 1/027
- WO WO-2017220849 A1 * 12/2017 B65D 85/68

* cited by examiner

Primary Examiner — Patricia A Palasik

(74) *Attorney, Agent, or Firm* — Fish & Richardson P.C.

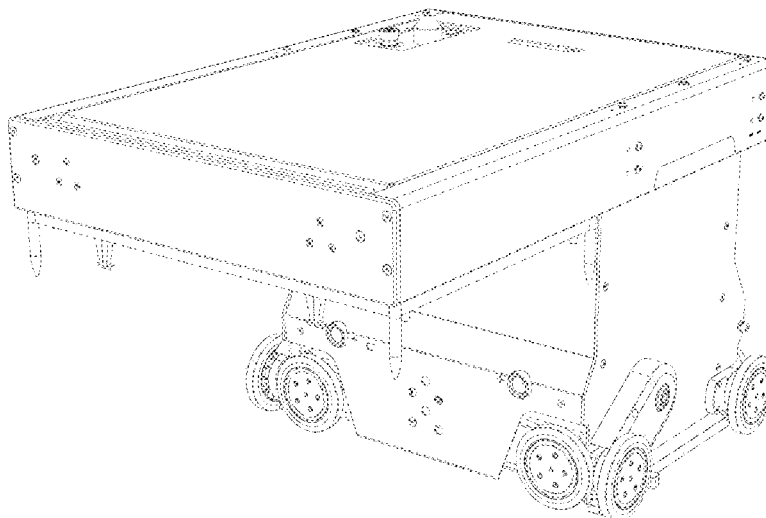
(57) **CLAIM**

The ornamental design for a remotely operated storage vehicle, as shown and described.

DESCRIPTION

1. Remotely operated storage vehicle
 FIG. 1.1 is a perspective view of a remotely operated storage vehicle showing our new design;
 FIG. 1.2 is a front elevation view thereof;
 FIG. 1.3 is a rear elevation view thereof;
 FIG. 1.4 is a left-side view thereof;
 FIG. 1.5 is a right-side view thereof; and
 FIG. 1.6 is a top plan view thereof.

1 Claim, 6 Drawing Sheets



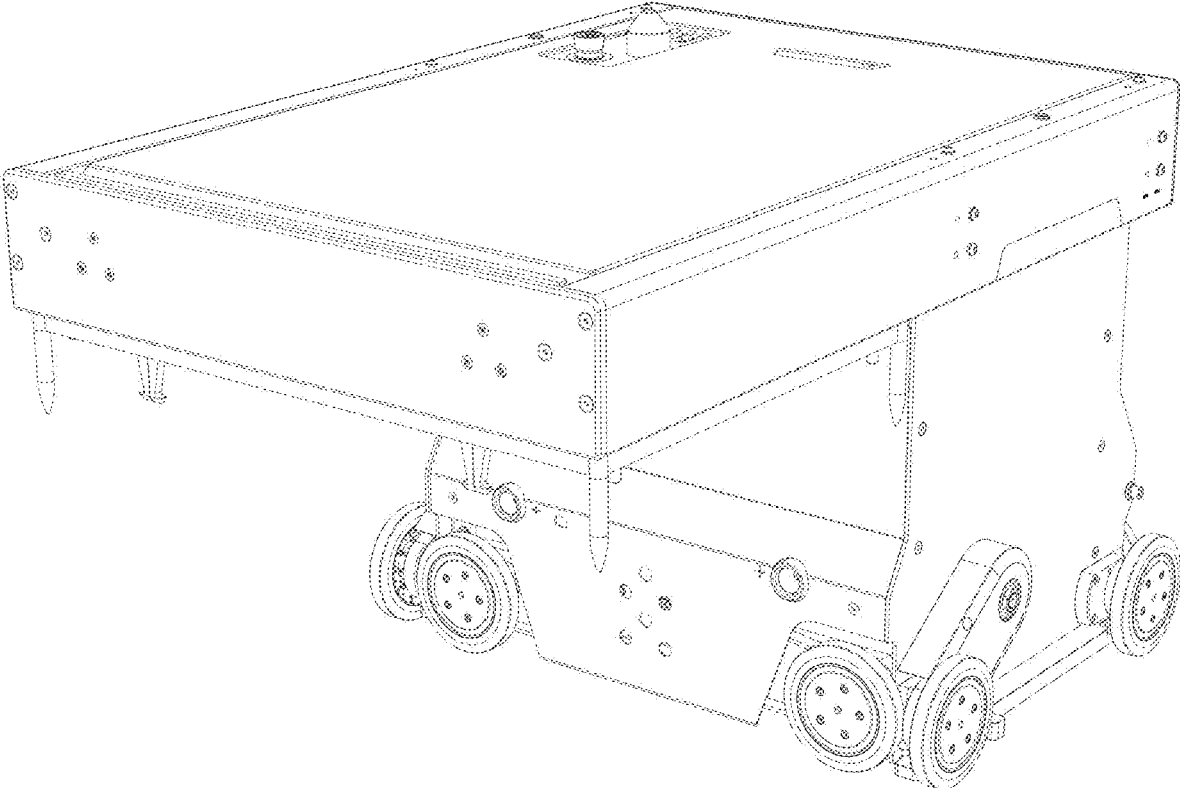


FIG. 1.1

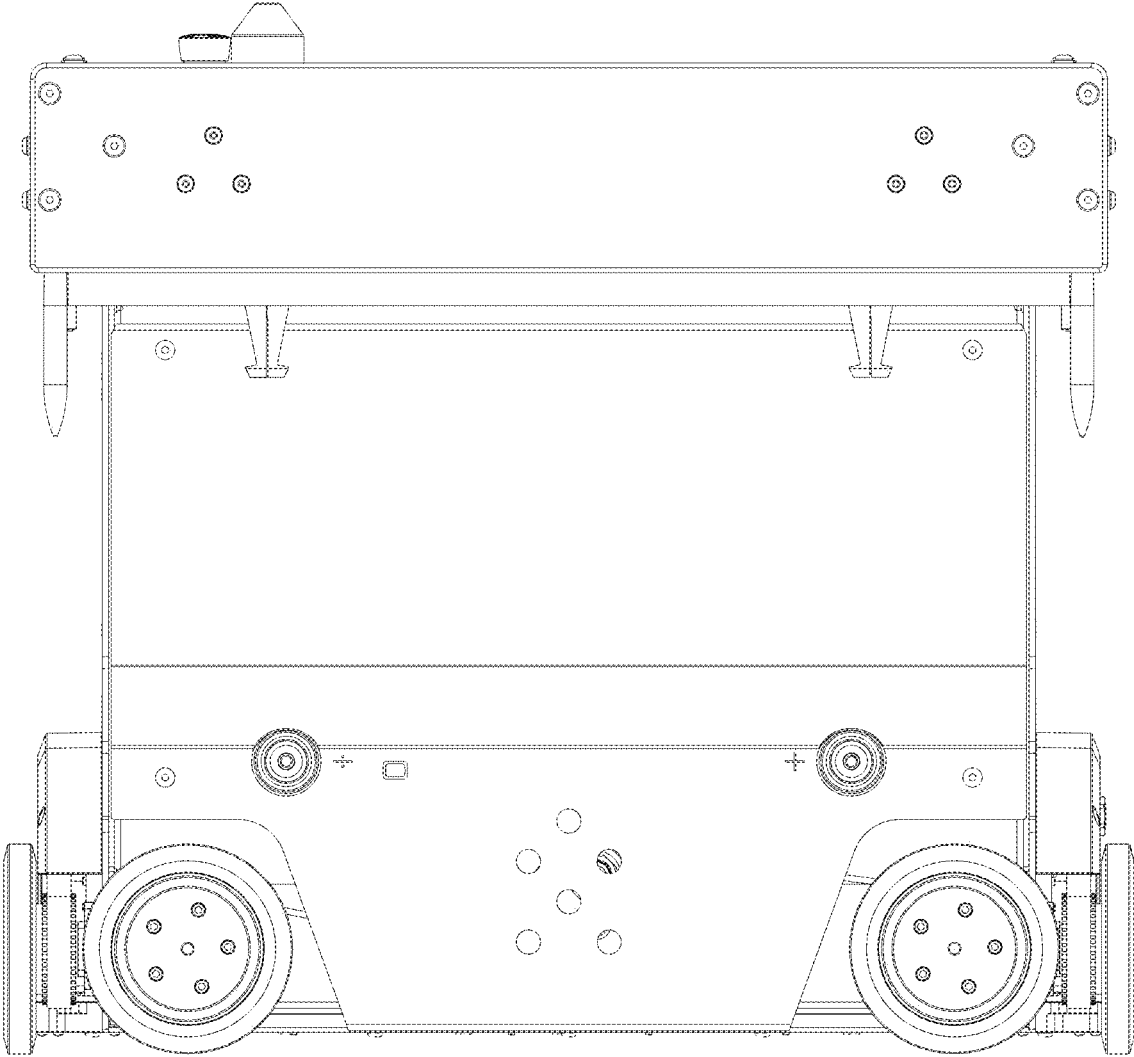


FIG. 1.2

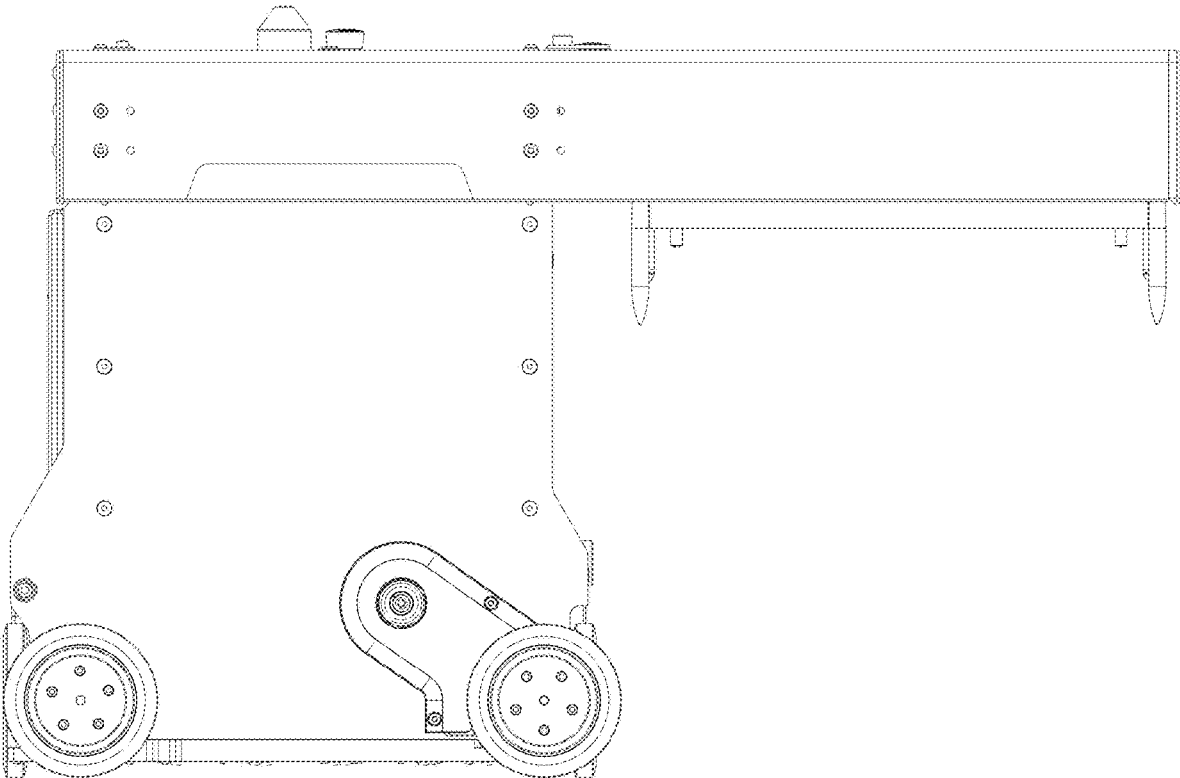


FIG. 1.3

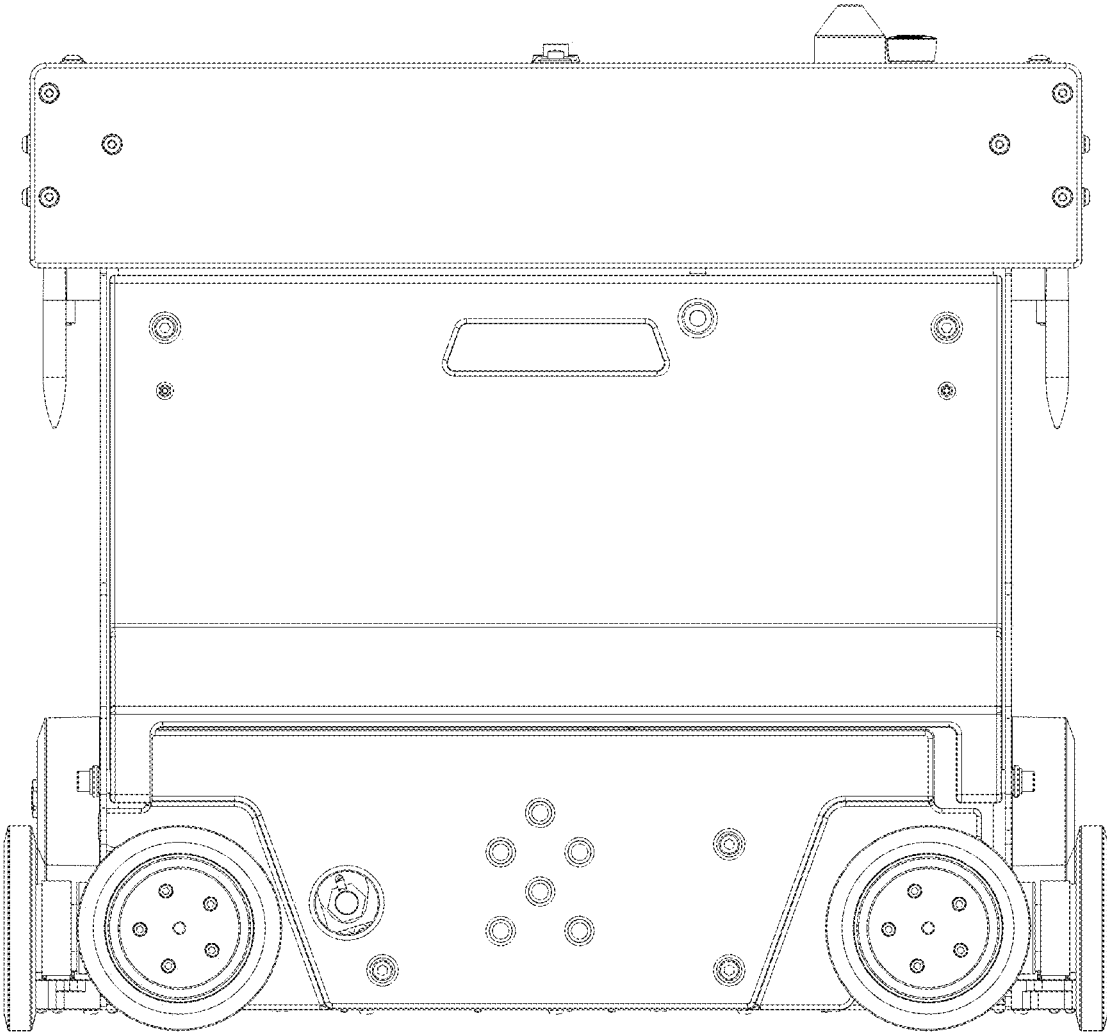


FIG. 1.4

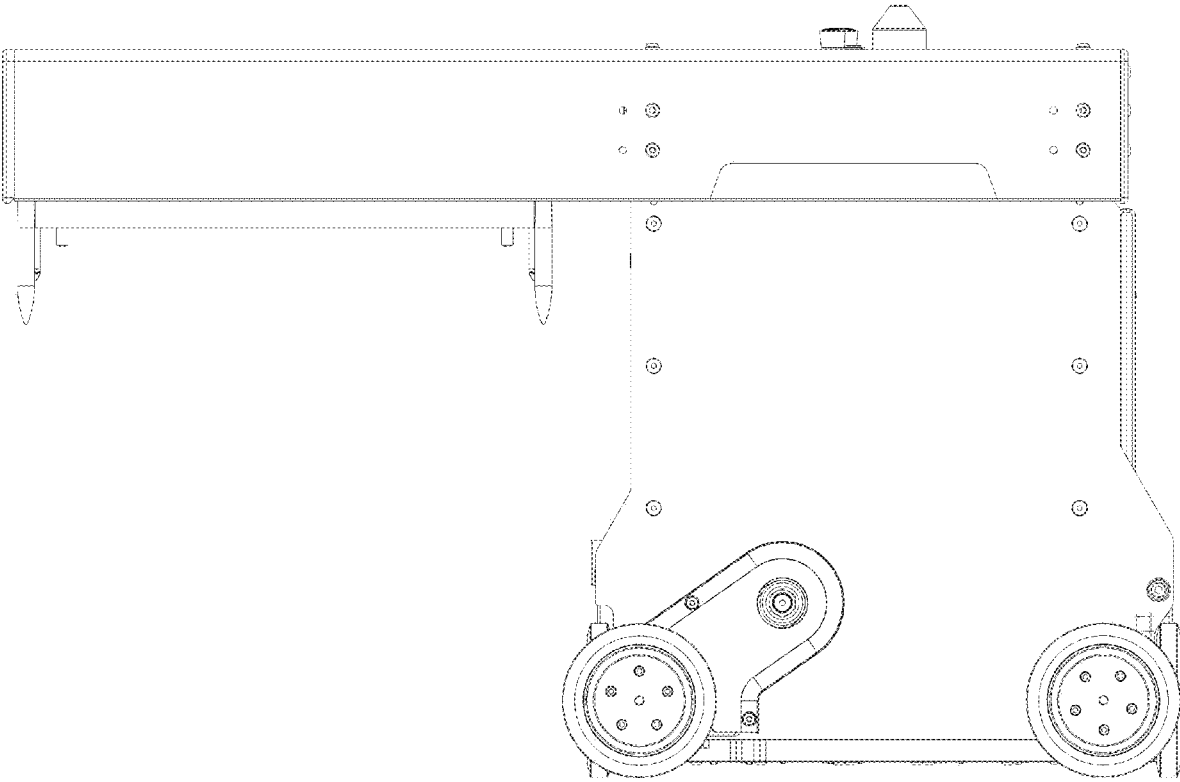


FIG. 1.5

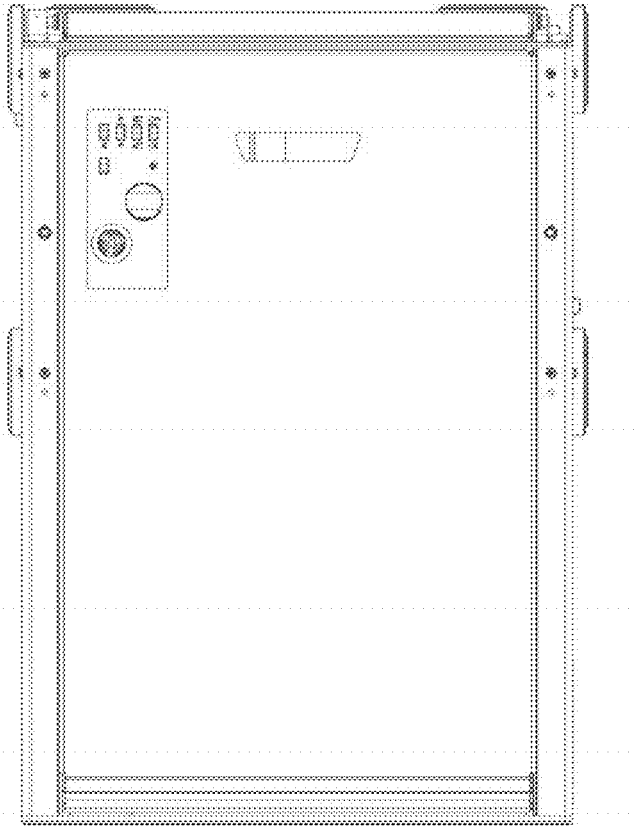


FIG. 1.6