



US00D709053S

(12) **United States Design Patent**
Chang et al.

(10) **Patent No.:** **US D709,053 S**

(45) **Date of Patent:** **** Jul. 15, 2014**

(54) **ANTENNA**

(71) Applicant: **Airgain, Inc.**, Carlsbad, CA (US)

(72) Inventors: **Wei Chang**, Zhang Jia Gang (CN); **Qun Li**, Zhang Jia Gang (CN); **Jindan Zhao**, Zhang Jia Gang (CN)

(73) Assignee: **Airgain, Inc.**, San Diego, CA (US)

(**) Term: **14 Years**

(21) Appl. No.: **29/472,332**

(22) Filed: **Nov. 11, 2013**

(51) **LOC (10) Cl.** **14-03**

(52) **U.S. Cl.**
USPC **D14/230**

(58) **Field of Classification Search**
USPC D14/138, 230-238, 299, 358; D12/42, D12/43; 343/700 MS, 700 R-705, 711-713, 343/735, 736, 741, 748, 767, 795, 819, 840, 343/846, 866, 871-908; 455/90.2, 90.3, 91, 455/128, 269, 344, 347, 562.1; 333/193, 333/195

See application file for complete search history.

D636,764	S	*	4/2011	Mi et al.	D14/230
D649,962	S	*	12/2011	Tseng et al.	D14/230
8,177,138	B2	*	5/2012	Kato et al.	235/492
D666,584	S	*	9/2012	Gladstone	D14/230
D670,276	S	*	11/2012	Mi et al.	D14/230
8,448,874	B2	*	5/2013	Koskelainen	235/492
D685,772	S	*	7/2013	Zheng et al.	D14/230
D686,600	S	*	7/2013	Yang	D14/230
D689,474	S	*	9/2013	Yang et al.	D14/230
D694,737	S	*	12/2013	Bufe	D14/230
D694,738	S	*	12/2013	Yang	D14/230
2007/0030203	A1	*	2/2007	Tsai et al.	343/702
2007/0200782	A1	*	8/2007	Hayama et al.	343/795
2008/0143630	A1	*	6/2008	Kato et al.	343/795
2008/0150829	A1	*	6/2008	Lin et al.	343/860
2008/0218417	A1	*	9/2008	Gillette	343/700 MS
2008/0218418	A1	*	9/2008	Gillette	343/700 MS
2009/0058739	A1	*	3/2009	Konishi	343/702
2009/0135072	A1	*	5/2009	Ke et al.	343/700 MS
2011/0012789	A1	*	1/2011	Yang et al.	343/700 MS
2011/0199267	A1	*	8/2011	Hayashi	343/700 MS

* cited by examiner

Primary Examiner — John Windmuller

(74) *Attorney, Agent, or Firm* — Clause Eight IPS; Michael Catania

(57) **CLAIM**

The ornamental design for an antenna, as shown and described.

(56) **References Cited**

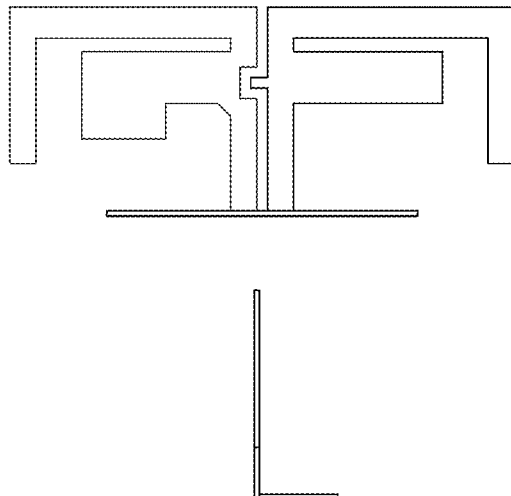
U.S. PATENT DOCUMENTS

7,148,849	B2	*	12/2006	Lin	343/700 MS
7,477,195	B2	*	1/2009	Vance	343/700 MS
D589,035	S	*	3/2009	Hellgren	D14/230
7,501,991	B2	*	3/2009	Yeap	343/795
D602,010	S	*	10/2009	Yakubo	D14/230
D611,936	S	*	3/2010	Kishler	D14/230
D621,819	S	*	8/2010	Tsai et al.	D14/230
D635,963	S	*	4/2011	Podduturi	D14/230
D636,382	S	*	4/2011	Podduturi	D14/230

DESCRIPTION

FIG. 1 is a front elevation view of an antenna.
 FIG. 2 is a rear elevation view of the antenna of FIG. 1.
 FIG. 3 is a top plan view of the antenna of FIG. 1.
 FIG. 4 is a bottom plan view of the antenna of FIG. 1.
 FIG. 5 is a side plan view of the antenna of FIG. 1
 FIG. 6 is a side plan view of the antenna of FIG. 1; and,
 FIG. 7 is a top perspective view of the antenna of FIG. 1.

1 Claim, 3 Drawing Sheets



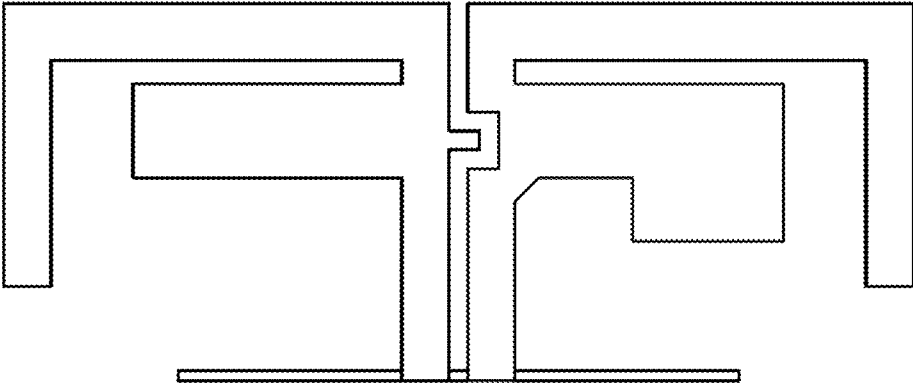


FIG. 1

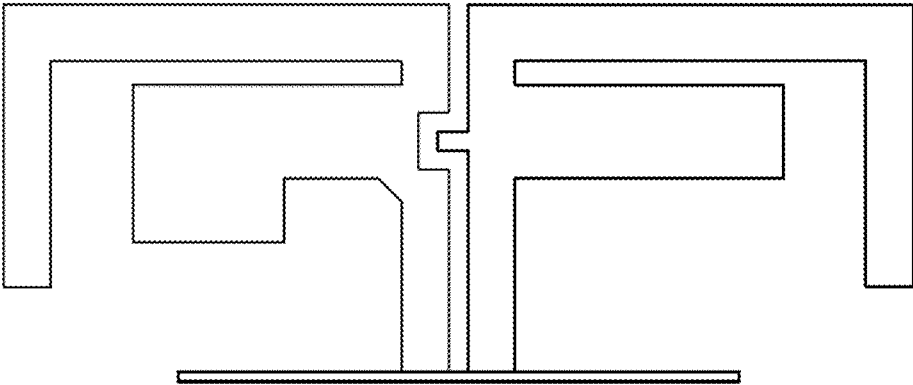


FIG. 2

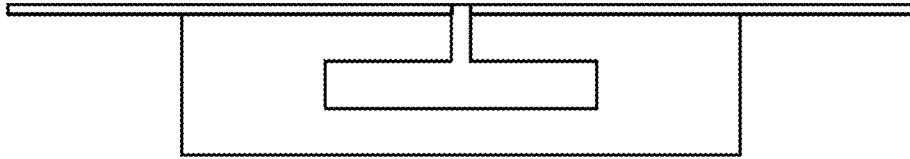


FIG. 3

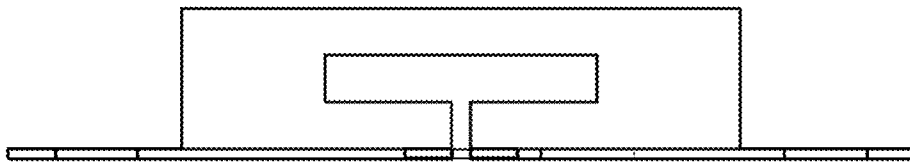


FIG. 4



FIG. 5



FIG. 6

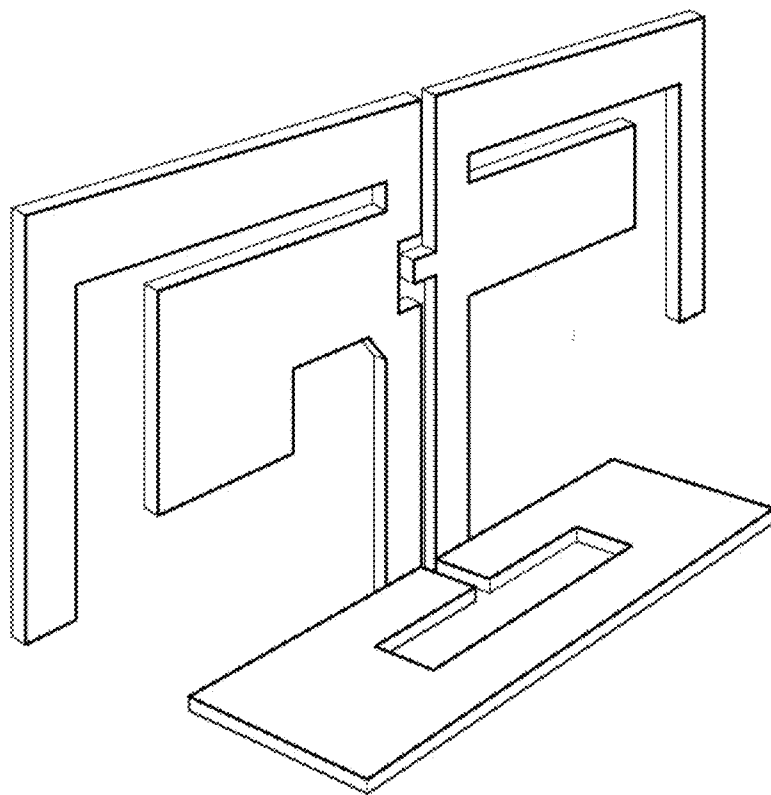


FIG. 7