

(19) World Intellectual Property Organization
International Bureau



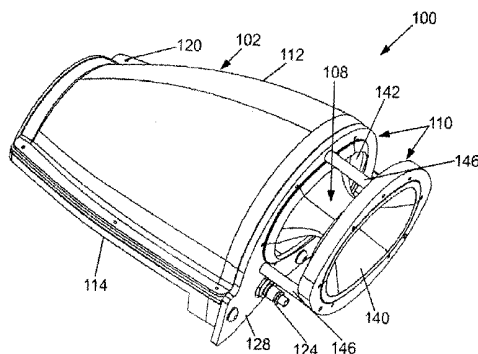
(43) International Publication Date
13 December 2001 (13.12.2001)

PCT

(10) International Publication Number
WO 01/93749 A2

- (51) International Patent Classification⁷: **A61B**
- (21) International Application Number: PCT/US01/18681
- (22) International Filing Date: 7 June 2001 (07.06.2001)
- (25) Filing Language: English
- (26) Publication Language: English
- (30) Priority Data:
60/210,659 9 June 2000 (09.06.2000) US
- (71) Applicant: **THE BOARD OF TRUSTEES OF THE LE-
LAND STANFORD JUNIOR UNIVERSITY [US/US];**
900 Welch Road, Suite 350, Palo Alto, CA 94304 (US).
- (72) Inventors: **GRAHN, Dennis, A.**; 1153 Stanford Avenue,
Palo Alto, CA 94306 (US). **HELLER, H., Craig**; 648 Ju-
niper Serra Boulevard, Stanford, CA 94025 (US).
- (74) Agent: **FIELD, Bret, E.**; Bozicevic, Field & Francis LLP,
Suite 200, 200 Middlefield Road, Menlo Park, CA 94025
(US).
- (81) Designated States (*national*): AE, AG, AL, AM, AT, AU,
AZ, BA, BB, BG, BR, BY, BZ, CA, CH, CN, CO, CR, CU,
CZ, DE, DK, DM, DZ, EC, EE, ES, FI, GB, GD, GE, GH,
GM, HR, HU, ID, IL, IN, IS, JP, KE, KG, KP, KR, KZ, LC,
LK, LR, LS, LT, LU, LV, MA, MD, MG, MK, MN, MW,
MX, MZ, NO, NZ, PL, PT, RO, RU, SD, SE, SG, SI, SK,
SL, TJ, TM, TR, TT, TZ, UA, UG, UZ, VN, YU, ZA, ZW.
- (84) Designated States (*regional*): ARIPO patent (GH, GM,
KE, LS, MW, MZ, SD, SL, SZ, TZ, UG, ZW), Eurasian
patent (AM, AZ, BY, KG, KZ, MD, RU, TJ, TM), European
patent (AT, BE, CH, CY, DE, DK, ES, FI, FR, GB, GR, IE,
IT, LU, MC, NL, PT, SE, TR), OAPI patent (BF, BJ, CF,
CG, CI, CM, GA, GN, GW, ML, MR, NE, SN, TD, TG).
- Published:**
— *without international search report and to be republished
upon receipt of that report*
- For two-letter codes and other abbreviations, refer to the "Guid-
ance Notes on Codes and Abbreviations" appearing at the begin-
ning of each regular issue of the PCT Gazette.*

(54) Title: METHODS AND DEVICES FOR MANIPULATING THE THERMOREGULATORY STATUS OF A MAMMAL



(57) **Abstract:** Methods and devices for manipulating the thermoregulatory status of a mammal are provided. In the subject methods, thermal energy is transferred between the environment and both of the thoracic/abdominal core body and head of the mammal. In general, thermal energy transfer between thoracic/abdominal core body and the environment occurs under negative pressure conditions. The subject methods and devices can be used to increase the thoracic/abdominal core body temperature of a mammal, in which case thermal energy is introduced into the thoracic/abdominal core body of the mammal and removed from the head of the mammal. The subject methods and devices can also be used to reduce the thoracic/abdominal core body temperature of a mammal, in which case thermal energy is removed from the thoracic/abdominal core body of the mammal and introduced into the head of the mammal. The subject devices include at least the following components (a) a means for causing a transfer of thermal energy with the thoracic/abdominal core body of a mammal under negative pressure conditions; and (b) a means for causing a transfer of thermal energy with the head of the mammal. The subject methods and devices find use in a variety of applications, and are particularly suited for use in causing the temperature of one or more regions of the core body of the mammal and/or temperature gradients present in the mammal to deviate from normal.



WO 01/93749 A2

**METHODS AND DEVICES FOR MANIPULATING THE THERMOREGULATORY
STATUS OF A MAMMAL**

CROSS-REFERENCE TO RELATED APPLICATIONS

5

Pursuant to 35 U.S.C. § 119 (e), this application claims priority to the filing date of the United States Provisional Patent Application Serial No. 60/210,659 filed June 9, 2000; the disclosures of which are herein incorporated by reference.

10

INTRODUCTION

Field of the Invention

The field of this invention is the thermoregulatory status of mammals.

Background of the Invention

15

Human body temperature is normally tightly controlled by an autonomic regulatory system referred to herein as the thermoregulatory system. The most important effector of this regulatory system is blood flow to specialized skin areas where heat from the deep body core can be dissipated to the environment. Normally, when body and/or environmental temperatures are high, the dilation of certain blood vessels favors high blood flow to these surfaces, and as environmental and/or body temperatures fall, vasoconstriction reduces blood flow to these surfaces and minimizes heat loss to the environment.

20

There are situations, however, in which it would be desirable to be able to manipulate the transfer of heat across the skin surfaces to provide for regions of different temperature in the mammalian body, i.e., to provide for a temperature gradient in the body made up of at least two different temperature compartments. Such temperature compartmentalization would be useful in a number of applications, including therapeutic treatment regimens, as described in greater detail below. However, temperature compartmentalization of the mammalian body is difficult to produce, as attempts to create such compartmentalization are impeded by the compensatory actions of the thermoregulatory system.

25

30

As such, there is great interest in the development of methods in which the thermoregulatory system is manipulated so that energy can be transferred into or out of the thoracic/abdominal core body without triggering concomitant opposing reaction by the thermoregulatory system.

Relevant Literature

U.S. Patent No. 5,683,438. See also WO 98/40039. Also of interest are:
Soreide et al., "A non-invasive means to effectively restore normothermia in cold stressed individuals: a preliminary report," J Emerg. Med. (1999 Jul-Aug)17(4):725-30 and Grahn et al., "Recovery from mild hypothermia can be accelerated by mechanically distending blood vessels in the hand," J. Appl Physiol. (1998) 85(5):1643-8.

SUMMARY OF THE INVENTION

Methods and devices for manipulating the thermoregulatory status of a mammal are provided. In the subject methods, thermal energy is transferred between the environment and both of the thoracic/abdominal and head regions or compartments of the core body of the mammal. In general, thermal energy transfer between the thoracic/abdominal region of the core body and the environment occurs under negative pressure conditions. The subject methods and devices can be used to increase the thoracic/abdominal temperature of a mammal, in which case thermal energy is introduced into this region or compartment of the core body of the mammal and removed from the head of the mammal. The subject methods and devices can also be used to reduce the thoracic/abdominal temperature of a mammal, in which case thermal energy is removed from this region of the core body of the mammal and introduced into the head of the mammal. The subject devices include at least the following components: (a) a first thermal energy transfer element for causing a transfer of thermal energy with the thoracic/abdominal region of the core body of a mammal under negative pressure conditions; and (b) a second thermal energy transfer element for causing a transfer of thermal energy with the head region of the core body of the mammal. The subject methods and devices find use in a variety of applications, and are particularly suited for use in producing a thermal gradient in a mammal, e.g., one in which the thoracic/abdominal core body is warmer or colder than the head.

BRIEF DESCRIPTION OF THE FIGURES

Figures 1 to 6 provide various views of a device that can be employed to practice to the subject methods.

DESCRIPTION OF THE SPECIFIC EMBODIMENTS

Methods and devices for manipulating the thermoregulatory status of a mammal are provided. In the subject methods, thermal energy is transferred between the environment

and both of the thoracic/abdominal and head regions of the core body of the mammal. In general, thermal energy transfer between the thoracic/abdominal region of the core body and the environment occurs under negative pressure conditions. The subject methods and devices can be used to increase the thoracic/abdominal temperature of a mammal, in which case thermal energy is introduced into the thoracic/abdominal region of the core body of the mammal and removed from the head of the mammal. The subject methods and devices can also be used to reduce the temperature of the thoracic/abdominal region of a mammal, in which case thermal energy is removed from the thoracic/abdominal region of the mammal and introduced into the head of the mammal. The subject devices include at least the following components: (a) a first thermal energy transfer element for causing a transfer of thermal energy with the thoracic/abdominal region of a mammal under negative pressure conditions; and (b) a second thermal energy transfer element for causing a transfer of thermal energy with the head of the mammal. The subject methods and devices find use in a variety of applications, and are particularly suited for use in altering, changing or modulating the thermalregulatory status of a mammal such that the temperature of the thoracic/abdominal region of the core body of the mammal may be changed relative to the temperature of the head region of the core body of the mammal, typically in ways that are achievable in the absence of practice of the subject invention. In further describing the subject invention, the subject methods and devices will be discussed in greater detail, followed by a review of representative applications in which the subject methods and devices find use.

Before the subject invention is described further, it is to be understood that the invention is not limited to the particular embodiments of the invention described below, as variations of the particular embodiments may be made and still fall within the scope of the appended claims. It is also to be understood that the terminology employed is for the purpose of describing particular embodiments, and is not intended to be limiting. Instead, the scope of the present invention will be established by the appended claims.

In this specification and the appended claims, the singular forms “a”, “an” and “the” include plural reference unless the context clearly dictates otherwise. Unless defined otherwise, all technical and scientific terms used herein have the same meaning as commonly understood to one of ordinary skill in the art to which this invention belongs.

METHODS

As summarized above, the subject methods are directed to methods of manipulating the thermoregulatory state or status of a mammal, typically through interaction with the thermoregulatory system of the mammal. By thermoregulatory state or status is mean the distribution of temperatures in the various body parts and regions of the mammal. By thermoregulatory system is meant the autonomic regulatory system and components thereof that are responsible for temperature maintenance or control in the mammal, particularly maintenance and control of the core body temperature. As such, the thermoregulatory system that is involved in the subject methods is the one responsible for the control of the core body temperature of the mammal under various environmental conditions, e.g., for preventing an increase in core body temperature under warm to hot environmental conditions by increasing heat transfer out of the core body of the mammal and into the environment. The involved thermoregulatory system is also the system that prevents a decrease in core body temperature under cold environmental conditions by decreasing heat transfer out of the core body of the mammal and into the environment.

By manipulate is meant change or modulate, where the nature of the change or modulation is generally to alter the thermoregulatory control and therefore state or status of the mammal in a manner that is not normal or observed in a control situation. In other words, by manipulate is meant to cause the thermoregulatory state or status of the mammal to deviate from normal. The thermoregulatory system is considered to be deviant from normal if temperatures of particular sites in the body core exceed or fall below normal ranges and/or temperature gradients between different sites of the body core exceed normal ranges. Normal temperature ranges for deep core body temperatures are generally from about 35 to 39 and usually 36 to 38 °C, where the temperature of the core body is often 37°C. A normal gradient between any two sites in the body core, e.g., between the brain and the heart, brain and abdomen, etc., is generally not greater than about 2°C in magnitude, usually not greater than about 1°C in magnitude and often not greater than 0°C in magnitude.

In practicing the subject methods, thermal energy is non-invasively transferred between: (a) the thoracic/abdominal region of the core body of the mammal and the outside of the mammal; and (b) the head region of the core body of the mammal and the outside of the mammal. The above described transfers of thermal energy occur at substantially the same time, including simultaneously. Thus, in certain embodiments where the transfers do not occur simultaneously but at substantially the same time, thermal energy transfer may

alternate between the above disparate regions of the core body, where when it alternates the period of time between any given thermal energy transfer event is preferably of short duration, where by short duration is mean a duration of less than about 15 min, usually less than about 5 min and more usually less than about 1 min. In yet other embodiments, the
5 above described thermal energy transfer events occur at substantially the same time, including simultaneously, such that thermal energy is being transferred between the thoracic/abdominal core body and the external environment of the mammal at substantially the same time, if not at the same time, that thermal energy is being transferred between the head and the external environment of the mammal.

10 By core body is meant the internal body region or portion of the mammal, as opposed to the surface of the mammal. Specific core body regions of interest are the core body region of the head, e.g., the deep brain region, and the core body region of the trunk of the mammal, e.g., the thoracic/abdominal region of the mammal.

In the subject methods, the energy transfer event with the head is generally opposite
15 of that which occurs with the thoracic/abdominal region. As such, in certain embodiments thermal energy is introduced into the thoracic/abdominal region and it is removed from the head. In yet other embodiments, thermal energy is removed from the thoracic/abdominal region and introduced into the head. These different embodiments are described in greater detail *infra*. When thermal energy is transferred between the head and the external
20 environment, it is often transferred to or from venous blood in the head which secondarily exchanges heat with the arterial blood and thereby the core body region of the head. By arterial blood is meant blood present in the main arteries that convey blood from the heart to the head of the mammal.

The above described thermal energy transfer events may be performed with or
25 without the aid of automated data collection and/or processing element. As such, in certain embodiments one or more sensors are employed to detect temperatures in the core body and head region of the mammal. Any convenient temperature sensing element may be employed, where suitable temperature sensing elements include: thermocouples, thermosistors, microwave temperature sensors, and the like. The position and nature of the temperature
30 sensing element necessarily depends on whether it is to detect the core body or head temperature of the mammal. For detecting thoracic/abdominal core body temperature, sensor locations of interest include: the esophagus, the rectum, and in the case of microwave detection, anywhere on the surface of the body to measure the underlying temperature. For head temperature, sensor locations of interest include: the auditory canal, the oral cavity, and

in the case of microwave detection, anywhere on the surface of the head to measure the underlying temperature. The data collected from these sensor devices may be processed by a processing element to at least display the data for the operator in a user friendly/readable format. The data may also be processed by a processing element which causes or inhibits the thermal energy transfer events in response to the detected data or variations therein.

The subject methods are suitable for use with a variety of mammals. Mammals of interest include, but are not limited to: race animals, e.g., horses, dogs, etc., work animals, e.g., horses, oxen etc., and humans. In most embodiments, the mammals on which the subject methods are practiced are humans.

Two specific embodiments of the subject methods are: (a) methods of increasing the thoracic/abdominal core body temperature of a subject; and (b) methods of decreasing the thoracic/abdominal core body temperature of a subject. Each of these embodiments will now be discussed separately in greater detail. However, the below described specific embodiments are merely representative of the different embodiments of the subject invention and are in no way limiting on the scope of the subject invention.

METHODS OF INCREASING THE THORACIC/ABDOMINAL CORE BODY TEMPERATURE OF A MAMMAL

In this embodiment of the subject invention, the methods are methods of increasing the thoracic/abdominal core body temperature of a mammal. By increasing is meant raising the thoracic/abdominal core body temperature of the mammal by at least some amount, where the amount of increase is generally at least about 0.5, usually at least about 2.0 and more usually at least about 4.0°C. As such, the subject methods can be used to increase the core body temperature of the mammal to a temperature ranging from about 37 to 44, usually from about 38 to 42°C.

In practicing the subject methods of increasing the thoracic/abdominal core body temperature of a mammal, thermal energy is input into the core body of the mammal at substantially the same time, if not the same time, that thermal energy is removed from the head, e.g., the venous blood, of the mammal. In inputting or introducing thermal energy or heat into the thoracic/abdominal core body of the mammal, a surface of the mammal is contacted with a warm temperature medium under negative pressure conditions for a period of time sufficient to achieve the desired amount of heat introduction. The surface that is contacted with the warm temperature medium is generally a heat exchange surface which acts as a heat exchange element between the thoracic/abdominal core body and the

environment of the mammal. Heat exchange surfaces of interest with the subject methods include those found in the various regions, and particularly the extremities, of the mammal, e.g., the arms, legs, palms, soles, and the like.

By negative pressure conditions is meant a pressure lower than ambient pressure under the particular conditions in which the method is performed, e.g., 1 ATM at sea level. The magnitude of the decrease in pressure from the ambient pressure under the negative pressure conditions is generally at least about 20 mmHg, usually at least about 30 mmHg and more usually at least about 35 mmHg, where the magnitude of the decrease may be as great as 85 mmHg or greater, but typically does not exceed about 60 mmHg and usually does not exceed about 50 mmHg. When the method is performed at or about sea level, the pressure under the negative pressure conditions generally ranges from about 740 to 675 mmHg, usually from about 730 to 700 mmHg and more usually from about 725 to 710 mmHg.

As mentioned above, the surface of the mammal is contacted with a warm temperature medium under the negative pressure conditions. By warm temperature medium is meant a medium that has a temperature which is sufficient to provide the requisite or desired thoracic/abdominal core body thermal energy input or introduction, i.e., one that is sufficient to provide for the desired amount of thoracic/abdominal core body temperature increase. The nature of the medium may vary, the medium being a temperature controlled solid material, e.g., warming blanket; a liquid; or gas; depending on the particular device employed to practice the subject methods. The temperature of the warm temperature medium may vary. The warm temperature medium generally has a temperature ranging from about 42 to 52, usually from about 44 to 50 and more usually from about 46 to 48°C.

Contact is maintained for a period of time sufficient for the desired amount of thermal energy input or introduction into the thoracic/abdominal core body to occur. As such, contact is generally maintained for at least about 1 min, usually at least about 2 min and more usually at least about 3 min, where contact may be maintained for up to 10 hrs or longer, but is generally not maintained for longer than 1 day and usually is not maintained for longer than 1 hr.

In practicing the subject methods, the negative pressure conditions during contact may be static/constant or variable. Thus, in certain embodiments, the negative pressure is maintained at a constant value during contact of the surface with the low temperature medium. In yet other embodiments, the negative pressure value is varied during contact, e.g., oscillated. Where the negative pressure is varied or oscillated, the magnitude of the

pressure change during a given period may be varied and may range from about -85 to 40 mmHg, usually from about -40 to 0 mmHg, with the periodicity of the oscillation ranging from about .25 sec to 10 min, usually from about 1 sec to 10 sec.

5 In practicing the subject methods, the negative pressure conditions may be provided using any convenient protocol. In many embodiments, the negative pressure conditions are provided by enclosing a portion of the mammal that includes the target surface that is to be contacted with the low temperature medium in a sealed enclosure, where the pressure is then reduced in the sealed enclosure thereby providing the requisite negative pressure conditions. The portion that is enclosed in the sealed enclosure is a portion of the mammal that includes 10 the target heat exchange surface, and therefore is an appendage in many embodiments of the subject invention. As such, the portion that is sealed is an arm or leg, or at least a portion thereof, e.g., hand or foot, in many embodiments of the subject invention. The nature of the enclosure will vary depending on the nature of the appendage to be enclosed, where representative enclosures include gloves, shoes/boots, or sleeves, where the latter is 15 described in greater detail *supra* in connection with the description of the representative devices that can be used to practice the subject invention.

The magnitude of thoracic/abdominal core body thermal energy introduction accomplished during practice of the methods may vary, and is sufficient to increase the thoracic/abdominal core body temperature of the mammal, as described above. In many 20 embodiments, the magnitude of heat introduction is generally at least about 0.5 Kcal/min, usually at least about 1.0 Kcal/min and more usually at least about 10 Kcal/min, where the magnitude may be as great as 1.5 Kcal/min or greater, but generally does not exceed about 50 Kcal/min and usually does not exceed about 30 Kcal/min. The magnitude of head introduction may, and often will, vary depending on whether one is at the beginning of the 25 subject methods or in the middle of the subject methods, e.g., at the start of the method the magnitude is generally greater than during the method, where only maintenance of conditions is required. The period of time that the heat is introduced into the thoracic/abdominal core body may vary, but typically ranges from about 1 min to 24 hrs, usually from about 2 min to 1 hr and more usually from about 2 min to 50 min.

30 In these embodiments of the subject invention, thermal energy is also removed from the head. In many embodiments, thermal energy is removed from the head arterial blood supply, e.g., carotid arterial blood. Thermal energy may be removed from the arterial blood supply using any convenient protocol, where non-invasive protocols are preferred. In those embodiments where non-invasive protocols are employed to remove thermal energy, one or

more surfaces of the mammal, typically associated with or on the head, is contacted with a cooling medium. Locations of interest that may be contacted with the cooling medium include: the neck, face, ears, and the like. Representative cooling mediums include: cooling solids, e.g., blankets, cooling fluids, cooling gases, etc. The temperature of the cooling medium is a temperature sufficient to provide for thermal energy extraction yet, often, not so great as to cause substantial vasoconstriction in the area of contact. The temperature typically ranges from about 0 to 35, usually from about 10 to 30 and more usually from about 15 to 25 °C. The duration of contact is sufficiently long to provide for the desired amount of thermal energy extraction from the head core body region, and typically ranges from about 1 min to 10 hr, usually from 2 min to 5 hr and more usually from about 5 min to 5 hr. In these embodiments, the temperature of the head may or may not decrease. Throughout this specification, the term "head" refers not only to the head itself, but also the neck.

The subject methods of this embodiment may be used to raise the core body temperature of the mammal substantially while causing substantially no temperature change in the head. The magnitude of the temperature increase that can be achieved in the core body using the subject methods typically ranges from about 1 to 10, usually from about 2 to 7 °C to provide for an increased temperature that ranges from 38 to 45, usually from about 39 to 43 °C. As there is substantially no change in the temperature of the head, the magnitude of any temperature change in the head, if present, does not exceed about 2, usually does not exceed about 1.5 and more usually does not exceed about 1 °C.

METHODS OF REDUCING THE THORACIC/ABDOMINAL CORE BODY TEMPERATURE OF A MAMMAL

In this embodiment of the subject invention, the subject invention provides methods for reducing the temperature of the thoracic/abdominal body core of a mammal. As mentioned above, by thoracic/abdominal core body is meant the internal body region or portion of the trunk of the mammal, as opposed to the surface of the mammal or the core body portion of the head of the mammal. In extracting thermal energy or heat from the thoracic/abdominal core body of the mammal, a surface of the mammal is contacted with a low temperature medium under negative pressure conditions for a period of time sufficient to achieve the desired amount of heat extraction, while heat is introduced in the head of the mammal. The surface that is contacted with the low temperature medium is generally a heat exchange surface which acts as a heat exchange element between the thoracic/abdominal

core body and the environment of the mammal. Heat exchange surfaces of interest with the subject methods include those found in the various regions of the mammal, and particularly appendage (extremities) regions thereof, e.g., the arms, legs, palms, soles, and the like.

As described above, by negative pressure conditions is meant a pressure lower than ambient pressure under the particular conditions in which the method is performed, e.g. 1
5 ATM at sea level. The magnitude of the decrease in pressure from the ambient pressure under the negative pressure conditions is generally at least about 20 mmHg, usually at least about 30 mmHg and more usually at least about 35 mmHg, where the magnitude of the decrease may be as great as 85 mmHg or greater, but typically does not exceed about 60
10 mmHg and usually does not exceed about 50 mmHg. When the method is performed at or about sea level, the pressure under the negative pressure conditions generally ranges from about 740 to 675 mmHg, usually from about 730 to 700 mmHg and more usually from about 725 to 710 mmHg.

As mentioned above, the surface of the mammal is contacted with a low temperature
15 medium under the negative pressure conditions. By low temperature medium is meant a medium that has a temperature which is sufficient to provide the requisite or desired core body thermal energy extraction or removal. The nature of the medium may vary, the medium being a temperature controlled solid material, e.g., cooling blanket, a liquid, or gas, depending on the particular device employed to practice the subject methods. The
20 temperature of the low temperature medium may vary, but generally is not so low as to cause local vasoconstriction at the surface of the mammal, e.g., the heat exchange surface. The low temperature medium generally has a temperature ranging from about 0 to 35, usually from about 10 to 30 and more usually from about 15 to 25°C.

Contact is maintained for a period of time sufficient for the desired amount of
25 thoracic/abdominal core body thermal energy extraction or removal to occur. As such, contact is generally maintained for at least about 1 min, usually at least about 2 min and more usually at least about 3 min, where contact may be maintained for up to 10 hrs or longer, but is generally not maintained for longer than 1 day and usually is not maintained for longer than 1 hr.

30 In practicing the subject methods, the negative pressure conditions during contact may be static/constant or variable. Thus, in certain embodiments, the negative pressure is maintained at a constant value during contact of the surface with the low temperature medium. In yet other embodiments, the negative pressure value is varied during contact, e.g., oscillated. Where the negative pressure is varied or oscillated, the magnitude of the pressure

change during a given period may be varied may range from about -85 to 40 mmHg, usually from about -40 to 0 mmHg, with the periodicity of the oscillation ranging from about .25 sec to 10 min, usually from about 1 sec to 10 sec.

In practicing the subject methods, the negative pressure conditions may be provided
5 using any convenient protocol. In many embodiments, the negative pressure conditions are provided by enclosing a portion of the mammal that includes the target surface that is to be contacted with the low temperature medium in a sealed enclosure, where the pressure is then reduced in the sealed enclosure thereby providing the requisite negative pressure conditions. The portion that is enclosed in the sealed enclosure is a portion of the mammal that includes
10 the target heat exchange surface, and therefore is an appendage in many embodiments of the subject invention. As such, the portion that is sealed is an arm or leg, or at least a portion thereof, e.g., hand or foot, in many embodiments of the subject invention. The nature of the enclosure will vary depending on the nature of the appendage to be enclosed, where representative enclosures include gloves, shoes/boots, or sleeves, where the latter is
15 described in greater detail *supra* in connection with the description of the representative devices that can be used to practice the subject invention.

The magnitude of thoracic/abdominal core body thermal energy extraction accomplished during practice of the methods may vary, and is sufficient to provide for the desired outcome, e.g., reduction in core body temperature. In many embodiments, the
20 magnitude of heat extraction is generally at least about 0.5 Kcal/min, usually at least about 1.0 Kcal/min and more usually at least about 1.5 Kcal, where the magnitude may be as great as 50 Kcal/min or greater, but generally does not exceed about 30 Kcal/min and usually does not exceed about 20 Kcal/min. As above, the actual magnitude of energy extraction will vary within the above range depending on whether one is at the start of the process or in the
25 middle of the process. The period of time that the heat is extracted from the core body may vary, but typically ranges from about 1 min to 24 hrs, usually from about 2 min to 1 hr and more usually from about 2 min to 50 min.

In these embodiments of the subject invention, thermal energy is also introduced into the head, e.g., via the carotid arterial blood supply. Thermal energy may be introduced into
30 the head using any convenient protocol, where non-invasive protocols are preferred. In those embodiments where non-invasive protocols are employed to introduce thermal energy, the surface of the mammal, typically at a location that can be provide heat exchange with the arterial blood supply and therefore the core body region of the head, is contacted with a warm temperature medium. Locations of interest include: the neck, face, ears and the like.

Representative warm temperature mediums include: warm solids, warm liquids and warm gases, etc. The temperature of the warm temperature medium is a temperature sufficient to provide for the desired amount of thermal energy transfer. The temperature typically ranges from about 35 to 52, usually from about 37 to 50 and more usually from about 40 to 48 °C.

5 The duration of contact, is sufficiently long to provide for the desired amount of thermal energy transfer, and typically ranges from about 1 min to 24 hr, usually from about 2 min to 10 hr and more usually from about 5 min to 2 hr.

The magnitude of thoracic/abdominal core body temperature reduction accomplished during practice of the methods may vary, and is sufficient to provide for the
10 desired outcome. In many embodiments, the magnitude of reduction is generally at least about 0.5 °C, usually at least about 1.0 °C and more usually at least about 1.5°, where the magnitude may be as great as 4°C or greater, but generally does not exceed about 4.0°C and usually does not exceed about 2.0°C. The period of time that the core body temperature is
15 reduced may vary, but typically ranges from about 1 min to 24 hrs, usually from about 2 min to 10 hrs and more usually from about 5 min to 2 hrs. Even though the thoracic/abdominal core body temperature is decreased, the temperature of the head changes little, if any. Where the temperature of the head does change, the magnitude of the change is less than about 2°C, usually less than about 1°C.

20 DEVICES

The above described methods may be practiced using any convenient device. In general, any device that is capable of providing for the desired thermal energy transfer with the head and thoracic/abdominal core body, as described above, may be employed. As such, the subject devices at least include a thermal energy transfer element for transferring thermal
25 energy between the thoracic/abdominal core body of a mammal and the environment and a thermal energy transfer element for transferring energy between the head of a mammal and the environment.

The thermal energy transfer element for causing thermal energy transfer with the thoracic/abdominal core body typically includes a warming or cooling element, as described
30 above, and a negative pressure element for providing the negative pressure environment at the thoracic/abdominal core body target heat exchange surface. In many embodiments, this negative pressure element for providing a negative pressure environment includes a sealing element for sealing an appendage of the mammal in an enclosed environment in which negative pressure conditions can be produced. Representative enclosing elements include

sleeves, boots/shoes, gloves, etc. which are in operational relationship with a negative pressure inducing element, e.g. , a vacuum, that is capable of producing a negative pressure environment, as described above, in the sealed enclosure. The negative pressure inducing element may be actuated in a number of different ways, including through motor driven
5 aspiration, through a system of valves and pumps which are moved through movement of the mammal in a manner sufficient to create negative pressure in the sealed environment, etc.

As mentioned above, the subject devices also include an element for contacting the heat exchange surface with the warm/cool temperature medium. Representative contacting elements for contacting the surface with a warming or cooling medium include: warming or
10 cooling blankets, warm or cool water immersion elements, warming or cooling gas elements, etc. In many embodiments, the device further includes an element for producing the warm or cool temperature medium, where this element may vary depending on the nature of the warm or cool temperature medium. For example, where the warm temperature medium is a warming blanket whose temperature is modulated by actuation of resistance heating
15 elements in the blanket, this element for producing a warm temperature medium is an electrical current producing element for providing electrical current to the warming blanket. Alternatively, the device may include a fluid operationally connected to a fluid warming element that produces warm fluid which serves as the warming medium. In yet another embodiment, where a cool temperature medium is employed, the device may include a fluid
20 operationally connected to a fluid refrigerant element which produces cool fluid.

In addition, the subject devices include an thermal energy transfer element for transferring energy between the head of the mammal and the environment. In many embodiments, this element is specifically designed for transfer of energy between the head arterial blood supply of the mammal and the environment. Any convenient element that
25 accomplishes this purpose may be employed, where the element will be either a cooling element or heating element, as described above. The element may be in any convenient format, e.g., as a collar, hood or other device specifically designed to accomplish thermal energy transfer with at least a portion or region of the head.

In certain embodiments, the devices are adaptations of those devices described in
30 U.S. Patent No. 5,683,438 and co-pending U.S. Patent Application No. 09/839,590; the disclosures of which are herein incorporated by reference.

Figures 1 to 6 provide various view of another embodiment of a device that can be employed to practice the subject invention. The features of the system depicted in figures 1 to 6, belonging to AVACore Technologies, Inc. (Palo Alto, California), are preferred for

carrying out the methodologies described herein. The system described includes a negative pressure chamber in which to apply or remove thermal energy from a human subject. An improved interface between the chamber and its external environment is provided.

Aquarius, Inc. (Scottsdale, AZ) produces a system that may be used or variously
5 modified for use in the stated method(s). However, that system utilizes a “hard” seal interface with a user. The system described herein may utilize a “soft” seal. A “hard” seal is characterized as one designed to altogether avoid air leakage past the boundary it provides. In theory, a “hard” seal will allow a single evacuation of the negative pressure chamber for use in the methods. In practice, however, a “hard” seal can produce a tourniquet effect.
10 Also, any inability to maintain a complete seal will be problematic in a system requiring as much.

A “soft” seal as described herein is characterized as providing an approximate or imperfect seal at a user/seal interface. Such a seal may be more compliant in its interface with a user. Indeed, in response to user movement, such a seal may leak or pass some air at
15 the user/seal interface. In a negative-pressure system designed for use with a soft seal, a regulator or another feedback mechanism/routine will cause a vacuum pump, generator, fan or any such other mechanism capable of drawing a vacuum to respond and evacuate such air as necessary to stabilize the pressure within the chamber, returning it to the desired level. Active control of vacuum pressure in real-time or at predetermined intervals in conjunction
20 with a “soft” seal provides a significant advantage over a “hard” seal system that relies on simply pulling a vacuum with the hopes of maintaining the same.

A further disadvantage over the Aquarius system has more to do with seal configuration than its barrier function. Entry and exit from the Aquarius seal is difficult. Whether “hard” or “soft” in function, the present system provides a two-sided seal
25 configuration. The meaning of this will be more apparent in view of the following figures and descriptive text.

Figures 1 and 2 provide fore and aft perspective views of a negative pressure thermal exchange module (100). Figure 3 provides an exploded view of the same. The system components not shown in the figures include a thermal control or perfusion unit. Such a unit
30 may be adapted to provide a stream of heat exchange media such as water at elevated temperatures, lowered temperatures or both. Further, a vacuum source and regulator optionally used with module (100) are not shown. Any sort of vacuum source or regulator/control mechanism may be used with module (100) as would be apparent to one with skill in the art. Together, these components work to maintain a pressure within module

(100) during use between about 20 and 25 inches of H₂O and temperatures for core body cooling between about 19 and 22°C or temperatures for core body heating between about 40 and 45°C.

As shown, module (100) includes a housing (102) defining a negative pressure chamber (104), a heat-exchange element (106) and a soft, two-sided seal (108) supported by seal frame elements (110).

Housing (102) may be made from a cover (112) and a base (114). Negative pressure chamber (104) is preferably provided between heat exchange element (106) and cover (112). The embodiment shown is adapted to fit the hand of a human user. Chamber (104) is preferably configured to fit a human hand of any size. In order to provide a more space-efficient package, however, it may be more preferably sized to fit 95% of human hand sizes. Alternately, it may be sized for more particularized groups, such as children. It is also contemplated that the housing may be configured to fit a human foot since the under surface of a foot may also be used effectively as a heat exchange surface.

Housing (102) may be constructed from multiple pieces, including an end cap (116) as shown, or it may be provided as a unitary structure. Cap (116) is shown including a ports (118). A first port may be utilized for connection to a vacuum source, while the second may be utilized for a vacuum gauge. Of course, alternate port placement is also possible.

Preferably, housing (102) is made of plastic. Most preferably, the material and design of at least a portion of module (100) are such that housing (102) may be produced by vacuum forming or molding techniques.

Where discrete cover (112) and base (114) portions are used, they may be mechanically secured to one another through bolt holes (120). In such an instance, a gasket or caulking may be employed to seal the periphery of housing (102).

Providing a separable cover (112) and base (114) or heat exchange element (106) provide advantageous access to clean module (100) after use. However, it is contemplated that the top and bottom portions of the module may be fused together, for instance, by ultrasonic welding, chemical bonding or otherwise. Also, as noted above, it is contemplated that housing (102) may be provided in a single piece.

Regardless of the construction, sizing or overall appearance of housing (102), it defines a portion of chamber (104). A heat exchange surface (122) for delivering or accepting a thermal load from a user also defines a portion of chamber (104). A user may directly contact heat exchange surface (122). Alternately, a user may wear a glove or sock or take other prophylactic measures. Heat exchange surface (122) may be provided by a

member separate from heat exchange member (106) such as by an intermediate layer of foil, metalized Mylar or another material.

Heat exchange element (106) is preferably made of aluminum or another high thermally-conductive material. It may be in communication with a Peltier device, a desiccant cooling device or an endothermic or exothermic chemical reaction to provide a temperature variance. More preferably, however, heat exchange member (106) is in communication with at an inlet and an outlet (124) to accommodate a flow of perfusion liquid behind heat exchange surface (122). Chilled or heated water may be used to maintain the contact surface of the element at a desired temperature. Optimally, perfusion fluid is run through a series of switchbacks in cavity (126) between element (106) and base (114).

A rear portion of housing (102) and heat exchange member (106) may be provided by plate (128). As depicted, this portion may include provision for inlet and outlet (124) to heat exchange cavity (126) and an opening (130) to chamber (104). A preferred manner of constructing seal (108) is disclosed in connection with plate (128).

Views detailing preferred geometric aspects of seal (108) are shown in figures 4, 5 and 6. Figure 4 shows an end-on view of seal (108). Preferably, at least portions of seal (108) are ovalized in form. An elliptical shape may be preferred. A circular shape may also be used. Still, a shape having a major axis (132) and a minor axis (134) will be preferred, at least for the waist opening (136) of seal (108). An ovalized shape approximately corresponds to the shape of the wrist or forearm of a user. A shape having a major axis (132) and a minor axis (134) will also be preferred at chamber opening (130) and seal opening (138). This will assist in providing clearance for hand entry and exit of module (100). It will also simplify the construction of seal webbing (140).

Whether or not ovalized features are utilized for seal (108), it will be shaped roughly like an hourglass. Seal (108) will most closely resemble an hourglass if openings (130)

Whatever the case, a two-sided seal with outside openings of a greater size than that of the inside opening is to be used in module (100). This geometry provides for ramps or transition sections for appendage entry and exit. These features assist in stretching the seal interface or waist (136) sufficiently wide to pass a hand or foot both for insertion into and
5 removal from module (100).

Material selection is important in providing such a seal. Clearly, the material must be able to stretch. Further, it should provide a substantial barrier to air flow. To meet each of these criteria, a urethane-backed lycra available from Malden Mills (Malden, MA) has proven effective. Still, it is contemplated that other materials may be used. The material (or
10 materials) selected for webbing (140) preferably has a finish that does not grip onto a user so as to complicate entry and exit from module (100). The urethane skin of the referenced material has a satin finish. This decreases friction with the skin and hair of a user.

In addition to providing sufficient stretch, the seal webbing material should also have sufficient strength to avoid being drawn too far into cavity (104) upon the application of
15 vacuum. When in use, the open construction of seal (108) will result in cavity-side webbing material exposed to partial vacuum within chamber (104) to be forced by ambient pressure inward. This self-inflation phenomena observed for the chamber-side of the seal may be of assistance in providing seal patency with a user. However, if too much material bows
inward, it will result in an uncomfortable or disconcerting displacement of the user's hand or
20 foot into the device. Accordingly, with proper material choice, the side of seal (108) opposite chamber (104) provides not only a transition section for entry and exit, but also a stabilizing feature for seal position.

Seal (108) is preferably formed by a sleeve made by stitching two pieces of webbing material (140) together where they are shown broken apart in the exploded view of figure 3.
25 By constructing the sleeve from two or more pieces, complex shapes can be easily produced. To secure the sleeve webbing (140) in place to form seal (108), it is folded over rings (142) at each end as variously depicted. Then the cavity-side ring and webbing is captured in opening (130) of plate (128). The opposite side of seal webbing (140) is captured between
outer ring (142) and retainer member (144). Standoffs (146) or equivalent structure space
30 plate (128) and ring retainer (144) apart to define the overall length of seal (108). Of course, the length of the standoffs or seal may be varied as well as the other parameters of seal (108) that effect fit.

In this respect, it is noted that it may be desirable to provide a longer overall seal in some instances. Increasing overall length provides further design flexibility with seal shape.

This may be best taken advantage of by increasing the length of waist (134) to provide greater seal surface contact with a user. This may beneficially reduce any undesirable constricting effects. Furthermore, it is to be appreciated that the nature of the material used for the seal webbing (140) may be advantageously varied. While the noted lycra-based material is isotropic in nature, an anisotropic material or effect may be preferred for the webbing. This is to say that greater radial expansion of the sleeve may be desirable, whereas longitudinal compliance may not be. By reducing compliance along the axis of the sleeve relative to a radial component, it will tend to be drawn into chamber (104) to a lesser degree upon the application of vacuum. For a very high-stretch material, this will allow for smaller seal openings to fit the same population (since they can still stretch webbing (140) radially and have it return sufficiently to form a desired seal), without forfeiting the full set of advantages that the two-sided seal described offers.

Such an anisotropic effect may be achieved in a number of ways. It may be accomplished by providing longitudinal reinforcement member(s) associated with the webbing. They may be incorporated through braiding techniques, by bonding/affixing stiffener(s) to the sleeve surface or by other means as would be apparent to one with skill in the art.

Regardless of the particulars of seal construction and whether it is utilized to provide a “hard” or “soft” user interface, the dual-sided seal disclosed provides a superior manner of carrying out the methodology noted above. Though a “soft” two-sided seal as shown in the figures is preferred for its elegance in approach and proven effectiveness, a “hard” or more complex “soft” seal approach might sometimes be desired.

In order to utilize the dual-sided seal in a “hard” approach, supplemental forcing means may be provided to apply pressure around seal waist (134). Mechanical means such as at least one of a strap, belt or cinch may be used. Alternately an inflatable cuff or bladder portions around the periphery of the seal may be employed. While the system complexity will increase due to provision for providing the supplemental pressure and controlling it by either automated or manual means, certain potential advantages arise. It may enable a single-evacuation procedure for chamber (104) rather than relying on constant or periodic vacuum replenishment. It may also provide greater design flexibility for seal (108).

Particularly, by providing another variable to utilize in design decisions, a lesser emphasis may be placed on webbing material choice or opening sizing since the supplemental forcing capacity may be used to shape the seal as desired in use. Further, it may enable fitting seal

(108) to a wider range of a populous for a given configuration of hard elements, such as those that make-up seal frame (110).

Supplemental forcing or seal shaping means may also be used to produce a more complex “soft” seal than that described above. As with a “hard” seal approach, this would
5 open design and fit possibilities. Forcing or seal shaping parameters may, again, be controlled manually or automatically. Except, in a complex “soft” seal, the control of pressure applied to waist (134) is gauged to provide a compliant feel or fit. Since the application of pressure on the seal interface with the user may be the only difference
10 between a complex “soft” seal approach and a “hard” seal approach utilizing the dual-sided configuration, the same apparatus may be configured to function in either manner, for instance, by providing variable pressure control.

In certain embodiments, one or more of the various components of the device are typically actuatable, i.e., turned on and off, by a control means which controls actuation of
15 the various components in response to the detected head and/or thoracic/abdominal core body temperature of the mammal and, in certain embodiments, changes in the temperatures of the bodily compartments. The control means is generally a processing means that is capable of taking output data from the head and thoracic/abdominal core body temperature sensing means, processing the data to determine whether or not the negative pressure
20 means/warming or cooling means should be actuated or not and then actuating these components of the device accordingly.

UTILITY

The subject methods find use in any application in which the manipulation of the
25 thermoregulatory status of a mammal is desired. The subject methods are particularly well suited for causing the temperature of various core body compartments, e.g., the thoracic/abdominal core body region, and/or the one or more temperature gradients in the mammal to deviate from normal, as described above. Two representative embodiments in which the subject methods find use are in methods of increasing the thoracic/abdominal core
30 body temperature of a subject and in methods of decreasing the thoracic/abdominal core body temperature of a subject. There are many situations where the induction of selective hyperthermia is desirable, including the treatment of disease conditions, e.g., cellular proliferative diseases, including cancer. By selective hypothermia is meant thoracic/abdominal core body hypothermia, e.g., a situation where the thoracic/abdominal

core body temperature is significantly higher than the head temperature, e.g., at least by a magnitude of about 2, usually about 5°C. The subject methods of increasing the core body temperature of a mammal find use in the treatment of cellular proliferative diseases, e.g. cancer and the like, where the subject methods may be used in conjunction with one or more additional treatment therapies, e.g., chemotherapy, radiation, etc.

In addition, there are other situations where the selective cooling of the core body temperature is desired. As such, the subject methods are suitable for use in a variety of different applications, where core body heat extraction is desirable. Representative applications in which the subject methods of reducing the thoracic/abdominal core body temperature find use include the treatment of chronic disease conditions, e.g., of cystic fibrosis symptoms, treatment of multiple sclerosis symptoms, and the like. By treatment is meant at least an alleviation in one or more of the symptoms associated with the condition being treated, e.g. a reduction in discomfort, amelioration or elimination of symptoms, etc.

It is evident from the above results and discussion that the subject invention provides a convenient means for manipulating the thermoregulatory system of a mammal.

Specifically, the subject invention provides a non-invasive and convenient way to induce hypo- or hyperthermia in the core body of a mammal. Since the subject methods and devices provide for differential temperature regulation of the head with respect to the core body, more effective changes in core body temperature can be achieved in an easier manner, as the thermoregulatory system of the host is bypassed, at least to a partial extent. In view of the above advantages and large number of different types of applications in which the subject invention may be employed, the subject invention represents a significant contribution to the art.

All publications and patent applications cited in this specification are herein incorporated by reference as if each individual publication or patent application were specifically and individually indicated to be incorporated by reference. The citation of any publication is for its disclosure prior to the filing date and should not be construed as an admission that the present invention is not entitled to antedate such publication by virtue of prior invention.

Although the foregoing invention has been described in some detail by way of illustration and example for purposes of clarity of understanding, it is readily apparent to those of ordinary skill in the art in light of the teachings of this invention that certain changes

and modifications may be made thereto without departing from the spirit or scope of the appended claims.

WHAT IS CLAIMED IS:

1. A method for manipulating the thermoregulatory status of a mammal, said method comprising:
 - 5 causing a transfer of thermal energy with:
 - (a) the head of said mammal; and
 - (b) the thoracic/abdominal core body of said mammal;
 - whereby said thermoregulatory status of said mammal is manipulated.
- 10 2. The method according to Claim 1, wherein said thermal energy transfer with said thoracic/abdominal core body is under negative pressure.
3. The method according to Claim 1, wherein said thermal energy transfer with said head is opposite said thermal energy transfer with said thoracic/abdominal core body.
- 15 4. The method according to Claim 1, wherein said method comprises introducing thermal energy into said thoracic/abdominal core body and removing thermal energy from said head.
- 20 5. The method according to Claim 1, wherein said method comprises removing thermal energy from said thoracic/abdominal core body and introducing thermal energy into said head.
6. The method according to Claim 1, wherein said mammal is a human.
- 25 7. A method for increasing the thoracic/abdominal core body temperature of a mammal, said method comprising:
 - contacting a surface of a portion of said mammal with a warm temperature medium under negative pressure conditions for a period of time sufficient to introduce thermal energy
 - 30 into the thoracic/abdominal core body of said mammal; and
 - removing thermal energy from the head of said mammal;
 - whereby the thoracic/abdominal core body temperature of said mammal is increased.

8. The method according to Claim 7, wherein said method further comprises enclosing said portion of said mammal in a sealed enclosure to produce an enclosed portion of said mammal.
- 5 9. The method according to Claim 8, wherein said portion of said mammal is a limb or a portion thereof.
10. The method according to Claim 9, wherein said limb is selected from the group consisting of an arm and a leg.
- 10 11. The method according to Claim 8, wherein said sealed enclosure has a pressure ranging from about -20 to -80 mm Hg.
12. The method according to Claim 7, wherein said warm temperature medium has a
15 temperature ranging from about 40 to 48 °C.
13. The method according to Claim 7, wherein said period of time ranges from about 3 to 600 min.
- 20 14. The method according to Claim 7, wherein said mammal is a human.
15. A method for decreasing the thoracic/abdominal core body temperature of a mammal, said method comprising:
contacting a surface of a portion of said mammal with a cold temperature medium
25 under negative pressure conditions for a period of time sufficient to remove thermal energy from the thoracic/abdominal core body of said mammal; and
introducing thermal energy into the head of said mammal;
whereby the thoracic/abdominal core body temperature of said mammal is decreased.
- 30 16. The method according to Claim 15, wherein said method further comprises enclosing said portion of said mammal in a sealed enclosure to produce an enclosed portion of said mammal.

17. The method according to Claim 16, wherein said portion of said mammal is a limb or a portion thereof.
18. The method according to Claim 17, wherein said limb is selected from the group
5 consisting of an arm and a leg.
19. The method according to Claim 16, wherein said sealed enclosure has a pressure ranging from about -20 to -80 mm Hg.
- 10 20. The method according to Claim 15, wherein said cold temperature medium has a temperature ranging from about 15 to 25 °C.
21. The method according to Claim 15, wherein said period of time ranges from about 5
15 to 600 min.
22. The method according to Claim 15, wherein said mammal is a human.
23. A device for manipulating the thermal regulatory status of a mammal, said device comprising:
- 20 (a) a sealable enclosure for enclosing a portion of said mammal;
(b) a means for producing negative pressure conditions in said sealable enclosure;
(c) a means for transferring energy with said portion of said mammal when present in said sealable enclosure; and
25 (d) a means for transferring energy with the head of a mammal.
24. The device according to Claim 23, wherein said portion of said mammal is a limb or portion thereof.
- 30 25. The device according to Claim 24, wherein said limb is selected from the group consisting of an arm and a leg.

26. The device according to Claim 23, wherein said means for transferring energy with said portion of said mammal when present in said sealable enclosure is a means for introducing thermal energy into the thoracic/abdominal core body of said mammal.

5 27. The device according to Claim 26, wherein said means for transferring energy with said head of a mammal is a means for removing thermal energy from said head of a mammal.

10 28. The device according to Claim 23, wherein said means for means for transferring energy with said portion of said mammal when present in said sealable enclosure is a means for removing thermal energy from the thoracic/abdominal core body of said mammal.

15 29. The device according to Claim 28, wherein said means for transferring energy with said head of a mammal is a means for introducing thermal energy into said head of a mammal.

30. The device according to Claim 23, wherein said means for producing a negative pressure in said sealable enclosure is capable of producing a negative pressure ranging from about -20 to -80 mm Hg.

20

31. The device according to Claim 23, wherein said mammal is a human.

1 / 4

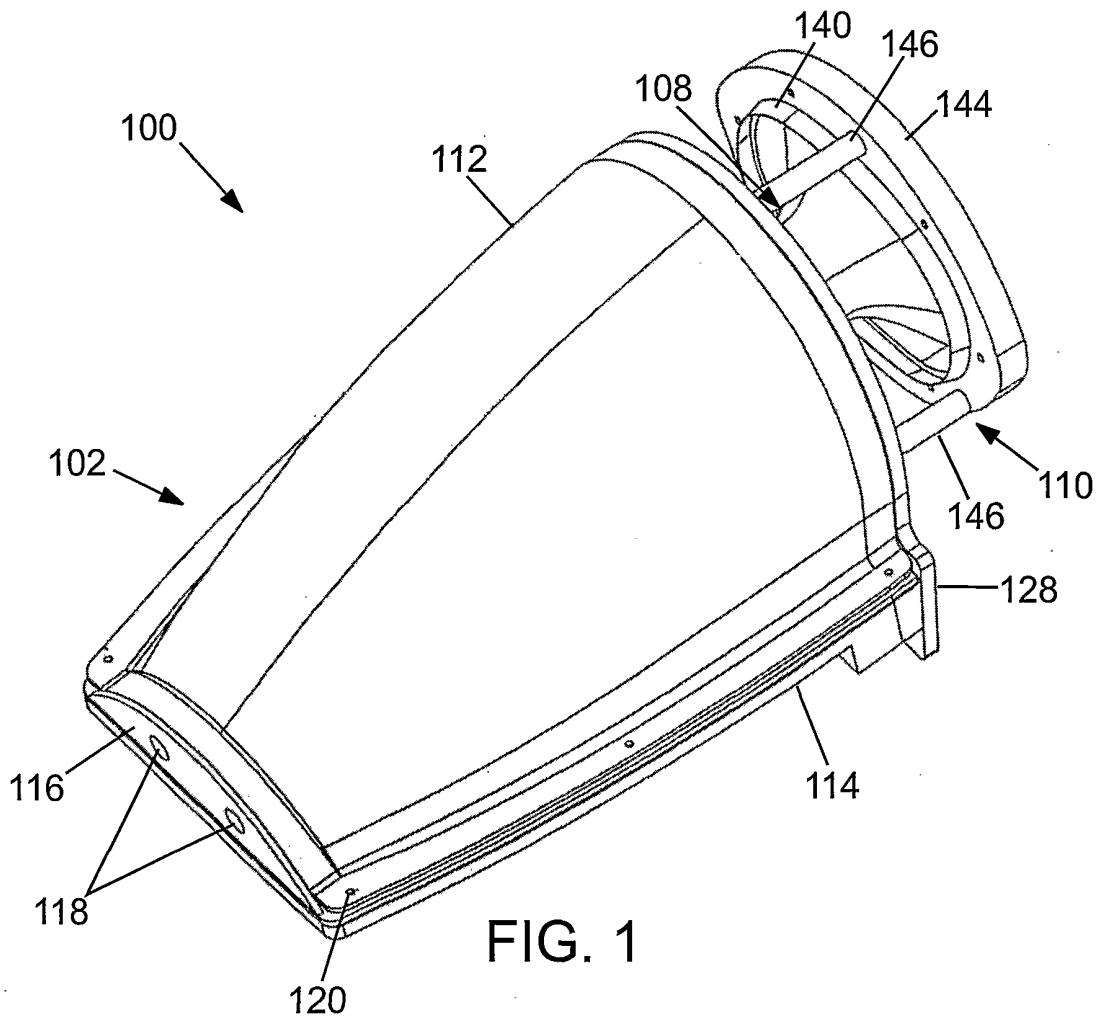


FIG. 1

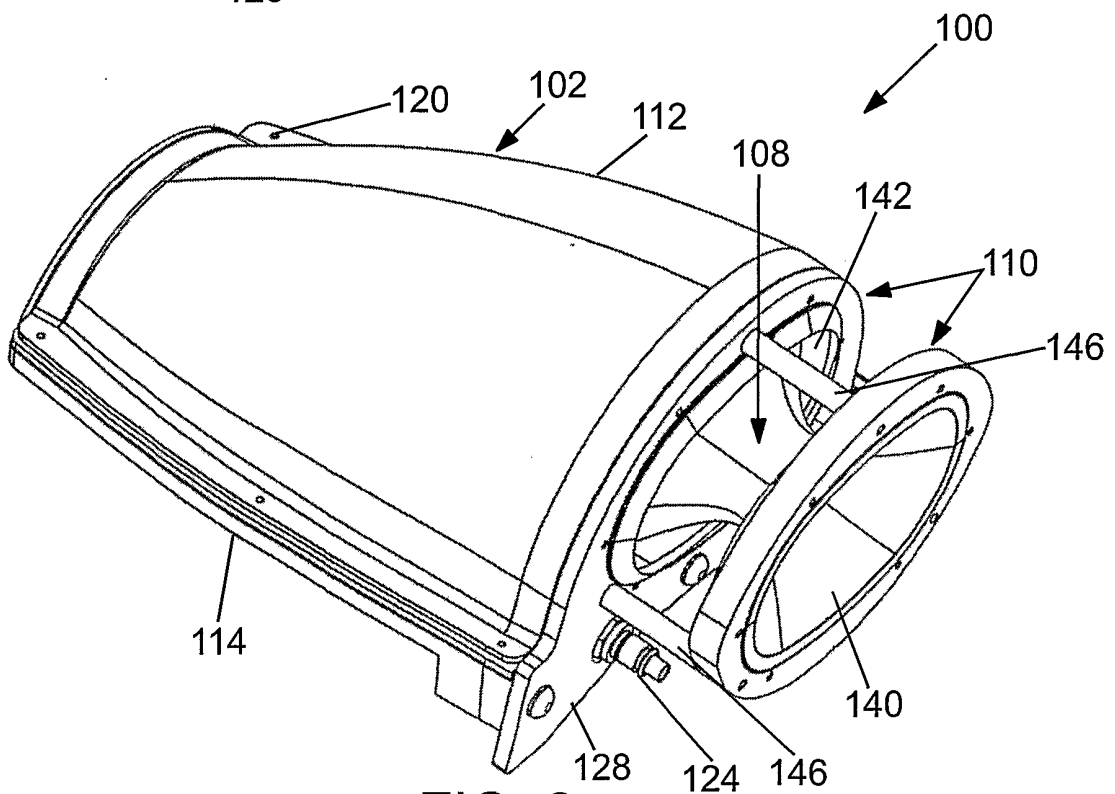


FIG. 2

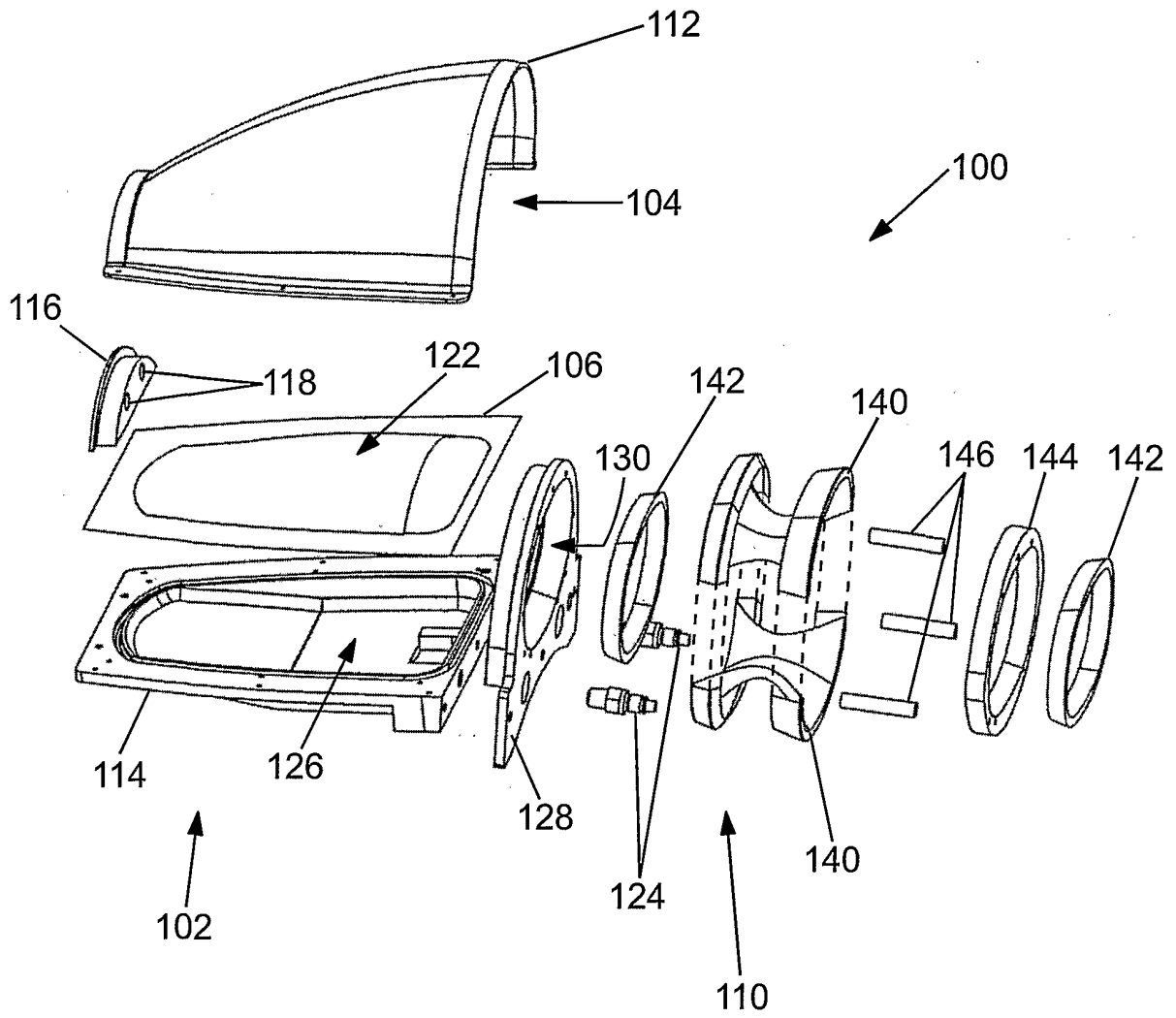


FIG. 3

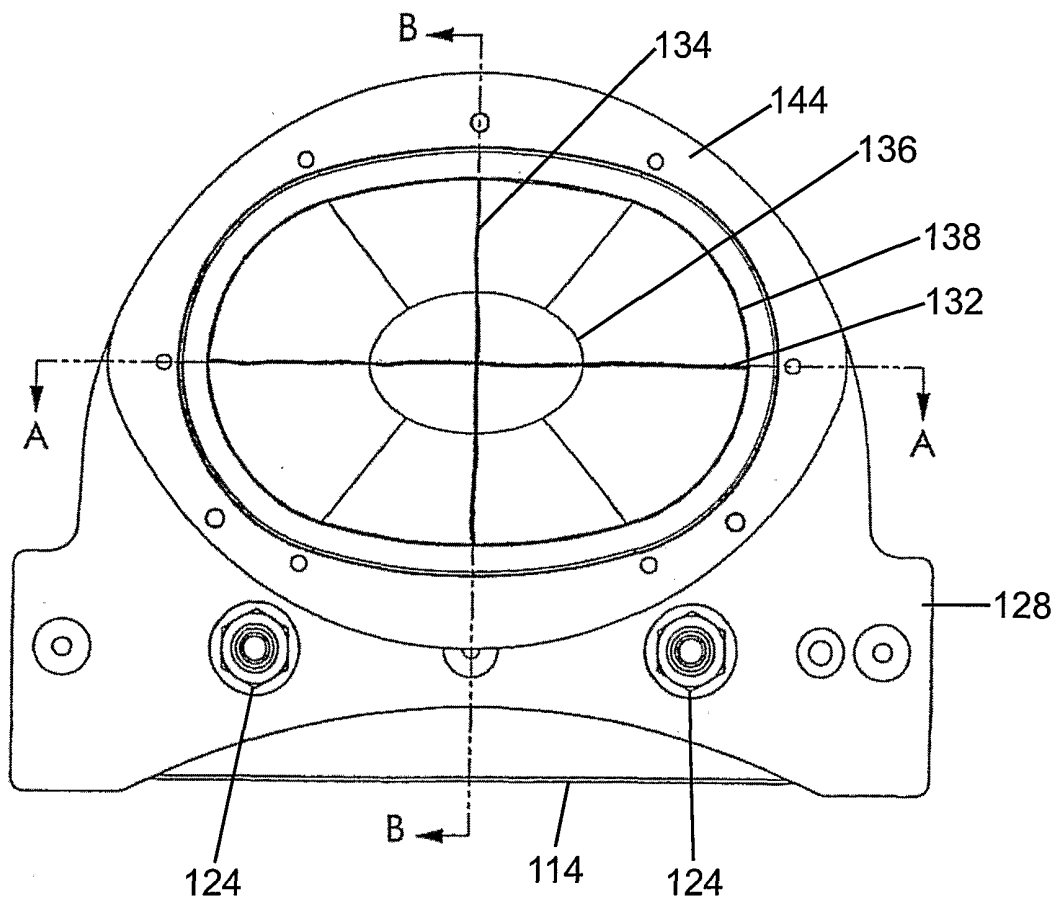


FIG. 4

FIG. 5

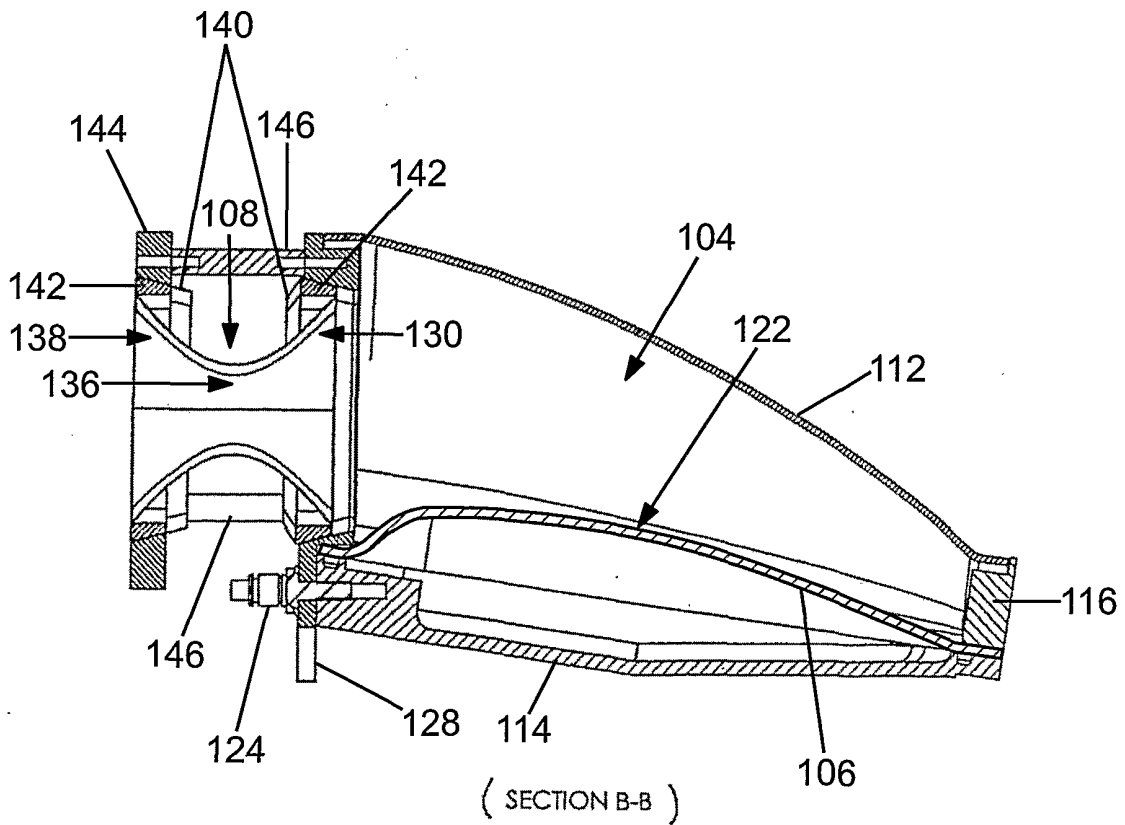
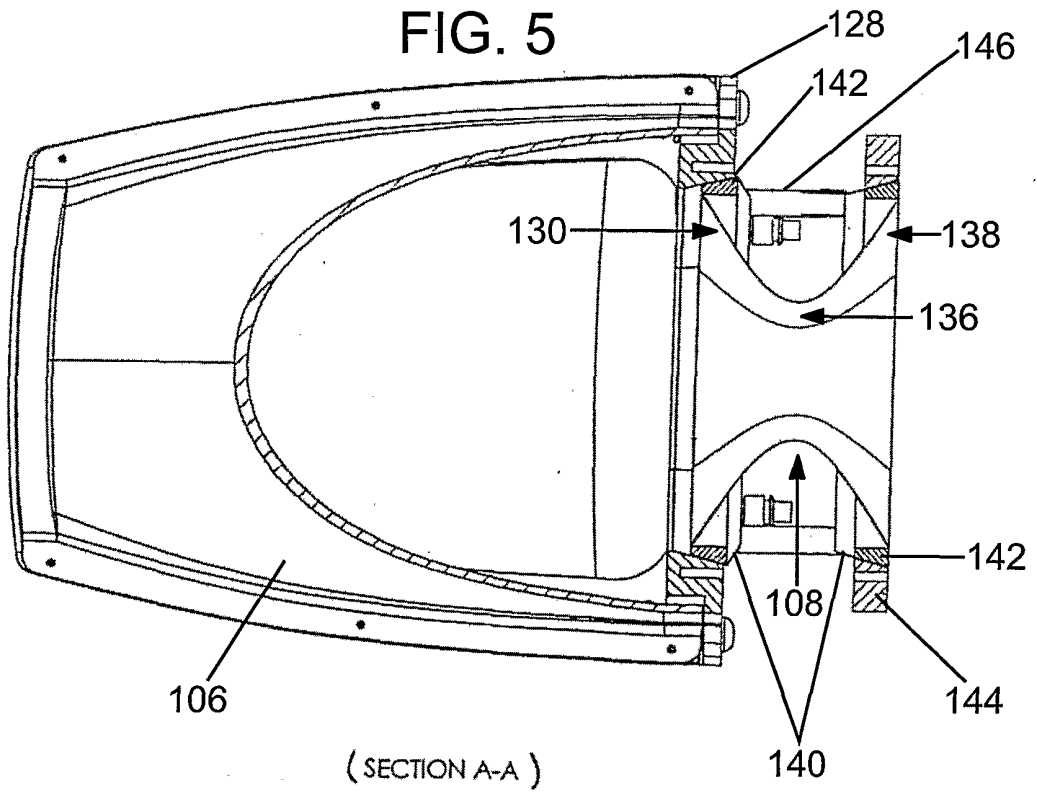


FIG. 6