



US00D799044S

(12) **United States Design Patent**
Graziani

(10) **Patent No.:** **US D799,044 S**

(45) **Date of Patent:** **** Oct. 3, 2017**

(54) **NM AND CT DETECTOR FOR AN IMAGING SYSTEM**

D714,940 S * 10/2014 Kim D24/158
2008/0242979 A1* 10/2008 Fisher A61B 6/4233
600/427
2010/0329419 A1* 12/2010 Blevis A61B 6/037
378/37

(71) Applicant: **General Electric Company,**
Schenectady, NY (US)

* cited by examiner

(72) Inventor: **Stephane Graziani,** Buc (FR)

Primary Examiner — Anhdao Doan

(73) Assignee: **General Electric Company,**
Schenectady, NY (US)

(74) *Attorney, Agent, or Firm* — McCoy Russell LLP

(**) Term: **15 Years**

(57) **CLAIM**

The ornamental design for an NM and CT detector for an imaging system, as shown and described.

(21) Appl. No.: **29/536,846**

DESCRIPTION

(22) Filed: **Aug. 19, 2015**

FIG. 1 is a front perspective view of a design for an NM and CT detector for an imaging system according to the present invention.

(51) **LOC (10) Cl.** **24-01**

FIG. 2 is a front view of the NM and CT detector for an imaging system of FIG. 1.

(52) **U.S. Cl.**

FIG. 3 is a back view of the NM and CT detector for an imaging system of FIG. 1.

USPC **D24/158**

FIG. 4 is a left side view of the NM and CT detector for an imaging system of FIG. 1.

(58) **Field of Classification Search**

FIG. 5 is a right side view of the NM and CT detector for an imaging system of FIG. 1.

USPC D24/158-161, 185, 186, 107
CPC A61B 6/032; A61B 6/4405; A61B 6/4411;
A61B 6/4429; A61B 6/4435; A61B
6/4441; A61B 6/4447; A61B 6/484

See application file for complete search history.

FIG. 6 is a top view of the NM and CT detector for an imaging system of FIG. 1; and,

(56) **References Cited**

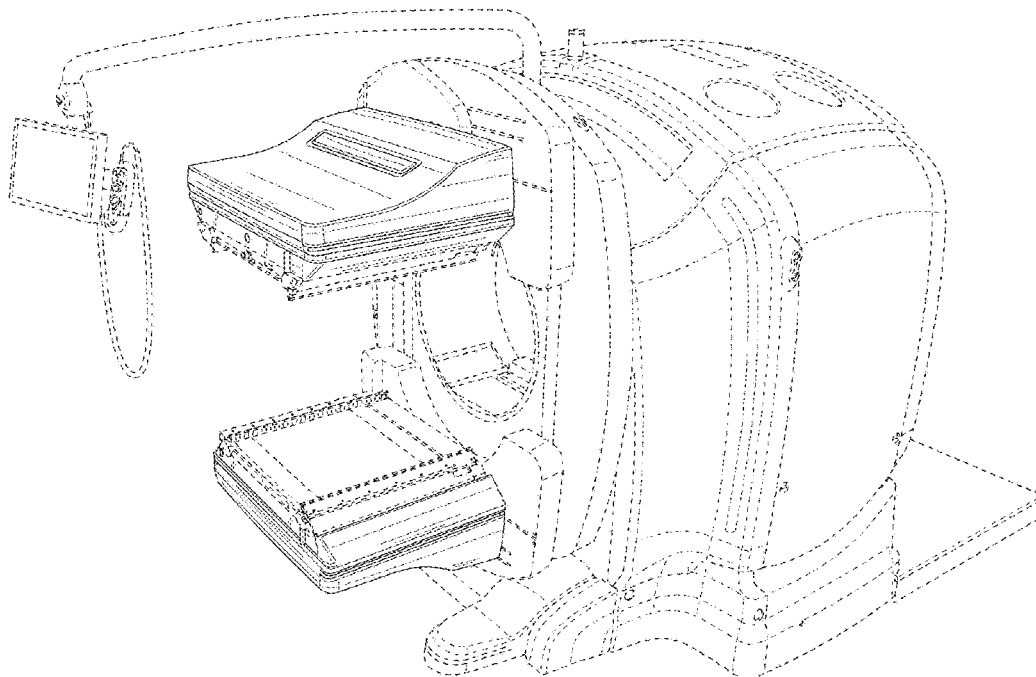
FIG. 7 is bottom view of the NM and CT detector for an imaging system of FIG. 1.

U.S. PATENT DOCUMENTS

The broken lines in the drawing views are included for the purpose of illustrating portions of the NM and CT detector for an imaging system that form no part of the claimed design.

D345,606 S *	3/1994	Perusek	D24/159
D355,719 S *	2/1995	Murakami	D24/158
D447,803 S *	9/2001	Yanagihara	D24/159
D461,249 S *	8/2002	Tsuzaki	D24/158
D628,297 S *	11/2010	Dietz	D24/159

1 Claim, 7 Drawing Sheets



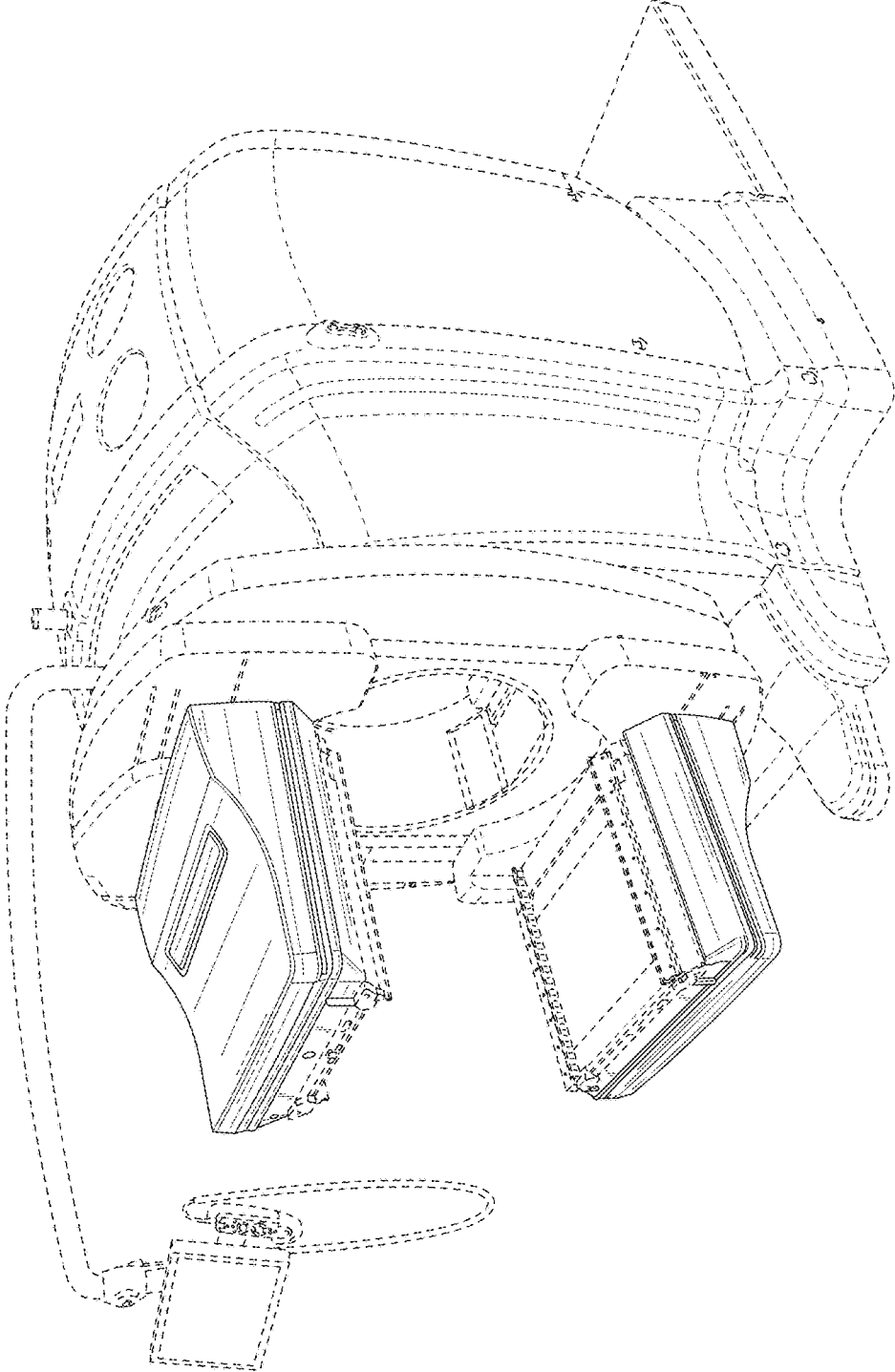


FIG. 1

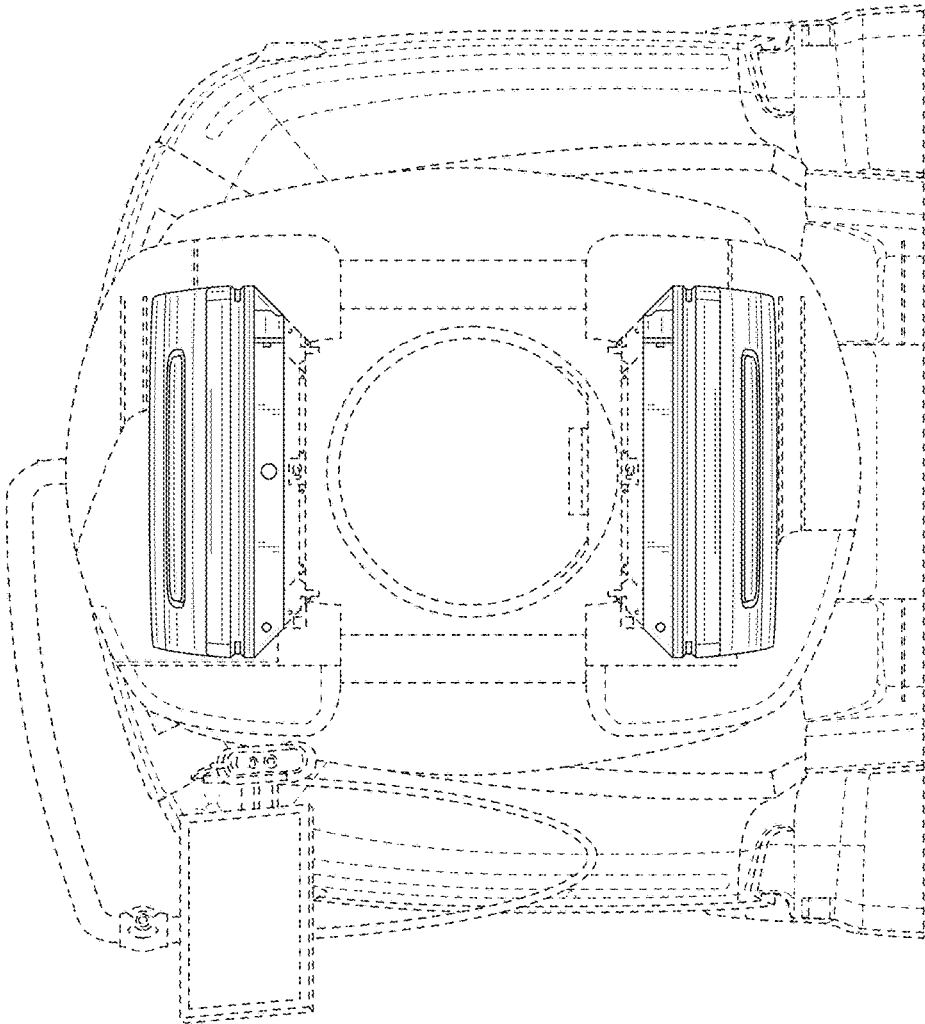


FIG. 2

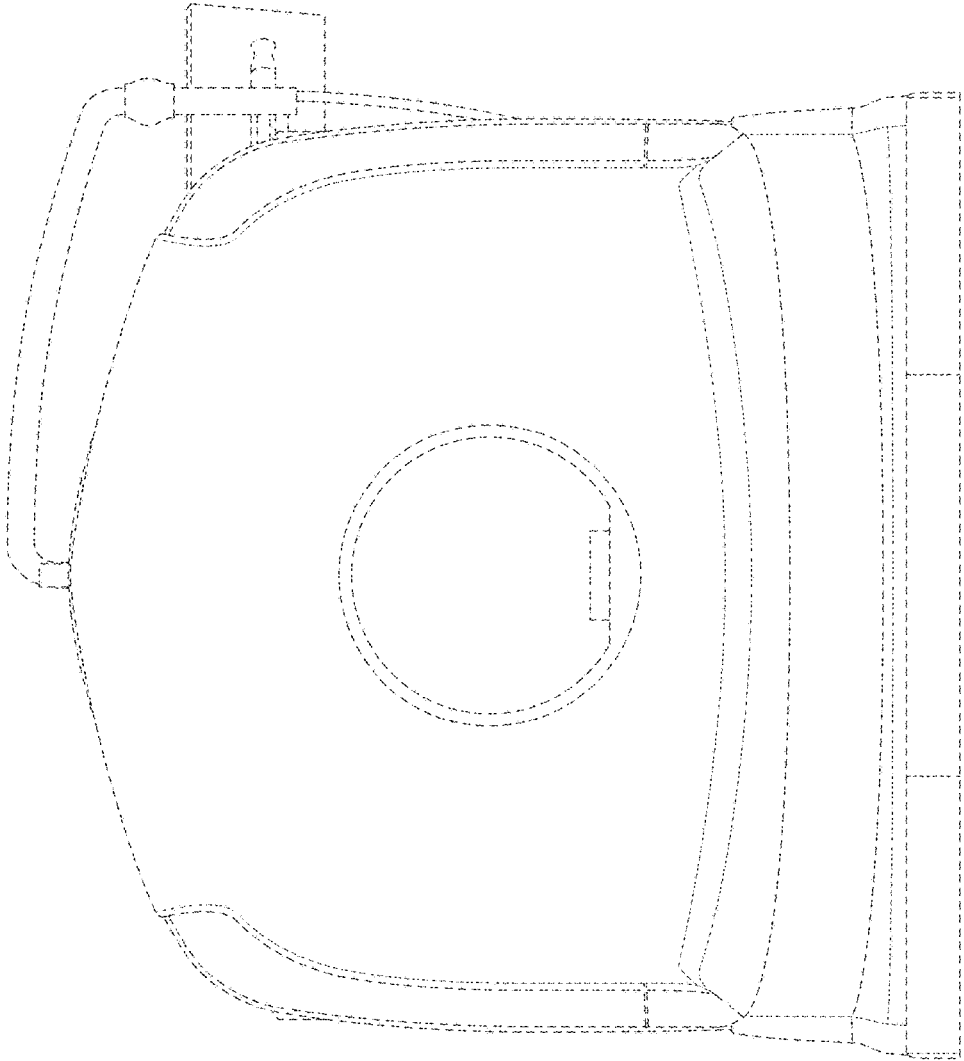


FIG. 3

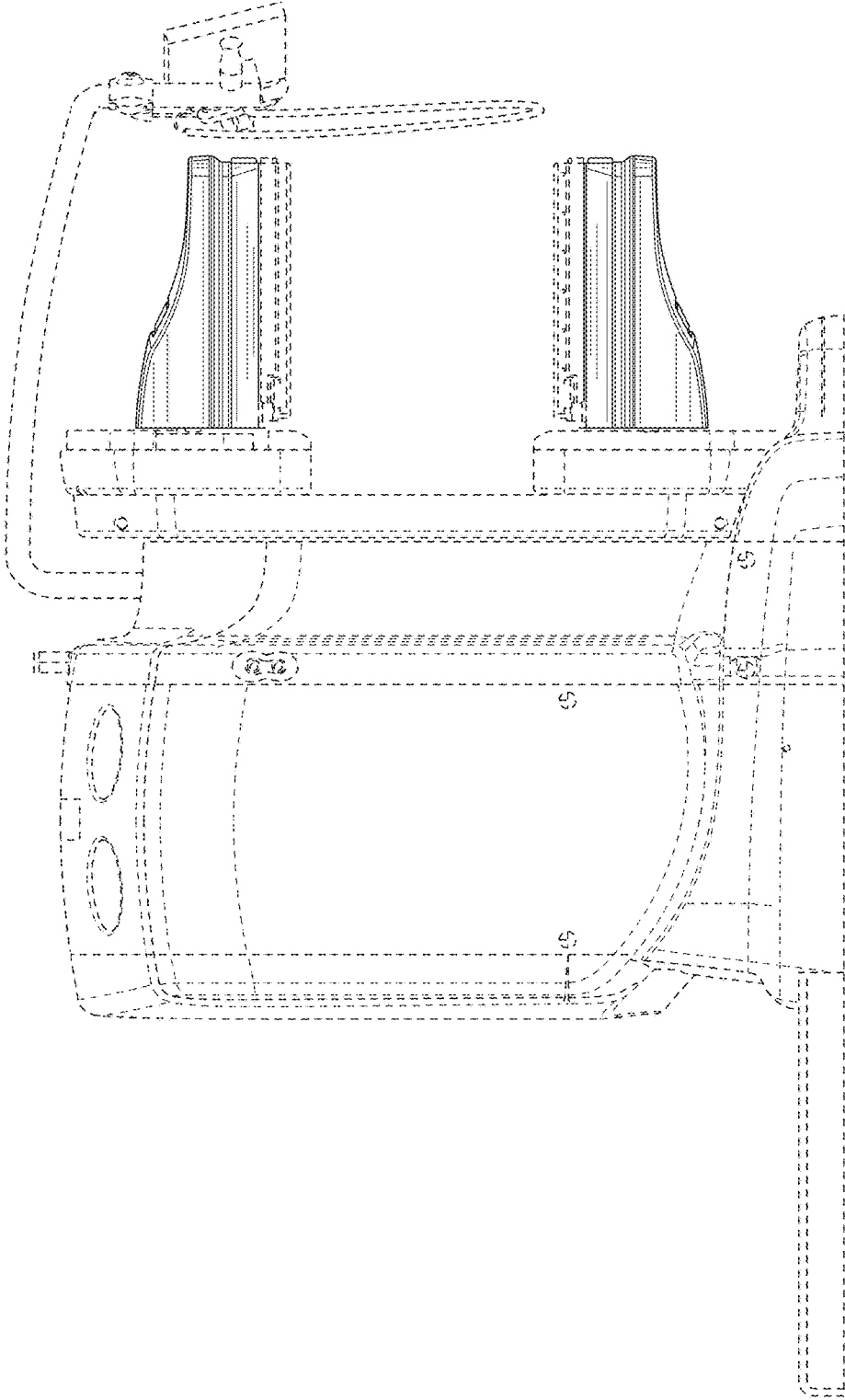


FIG. 4

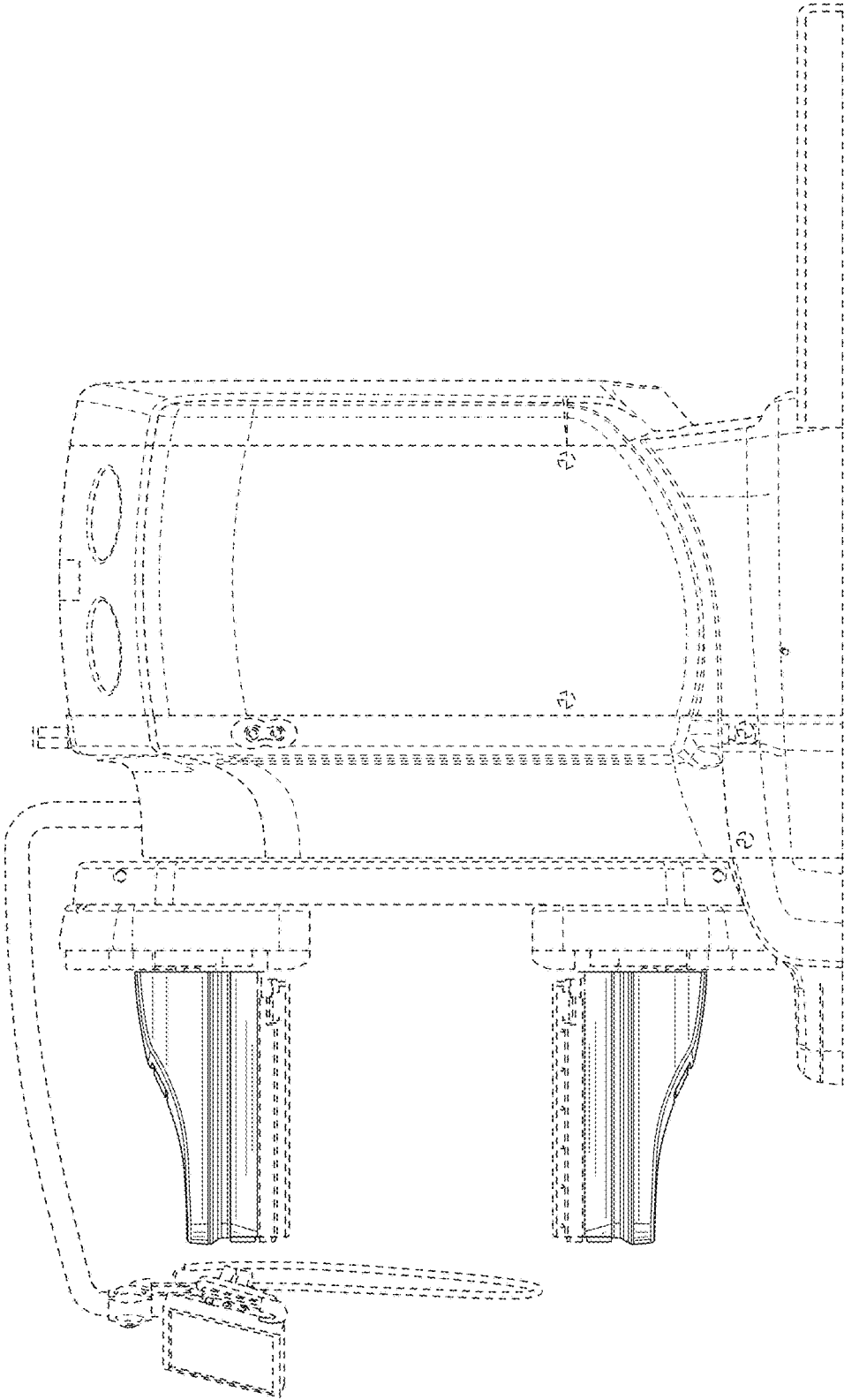


FIG. 5

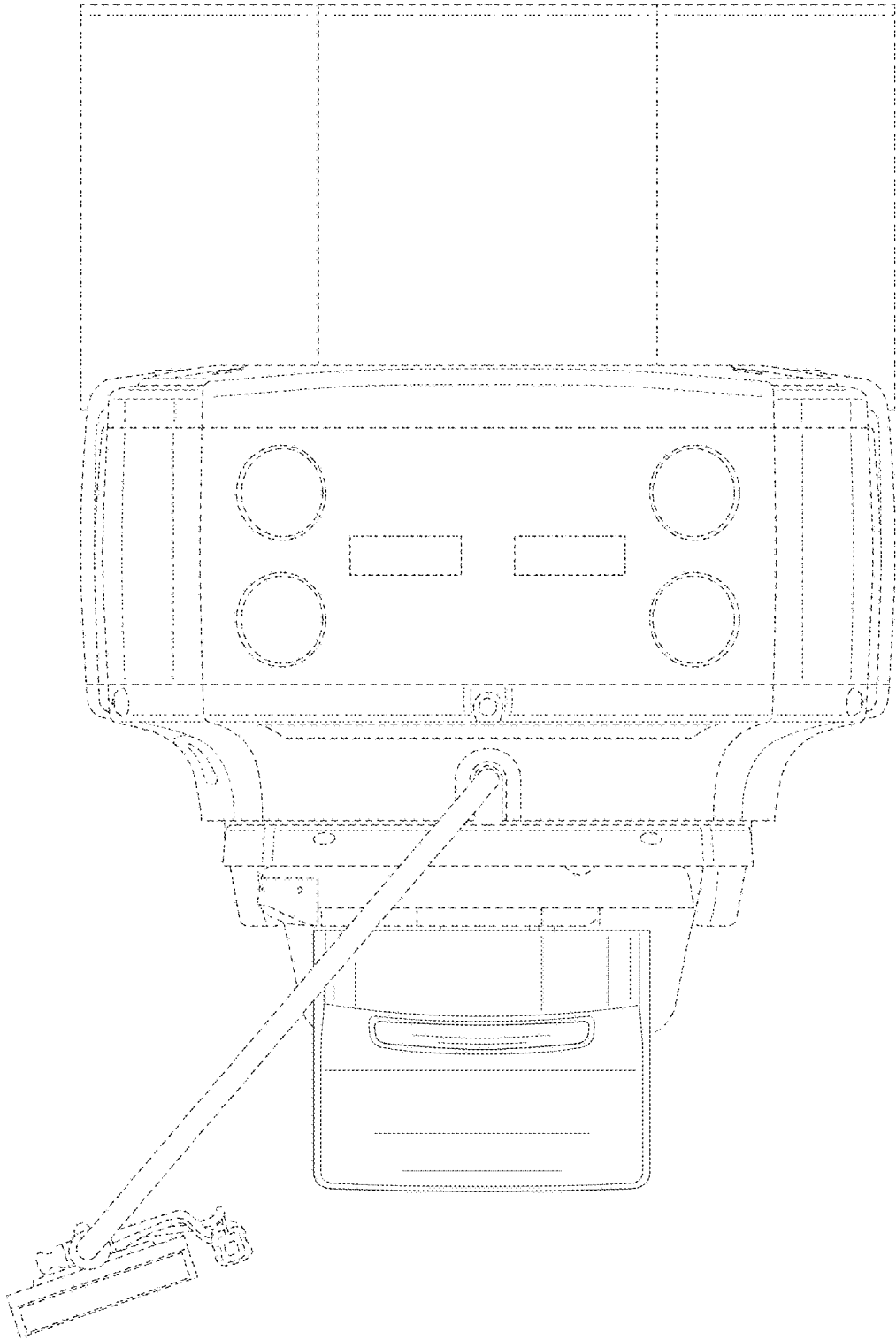


FIG. 6

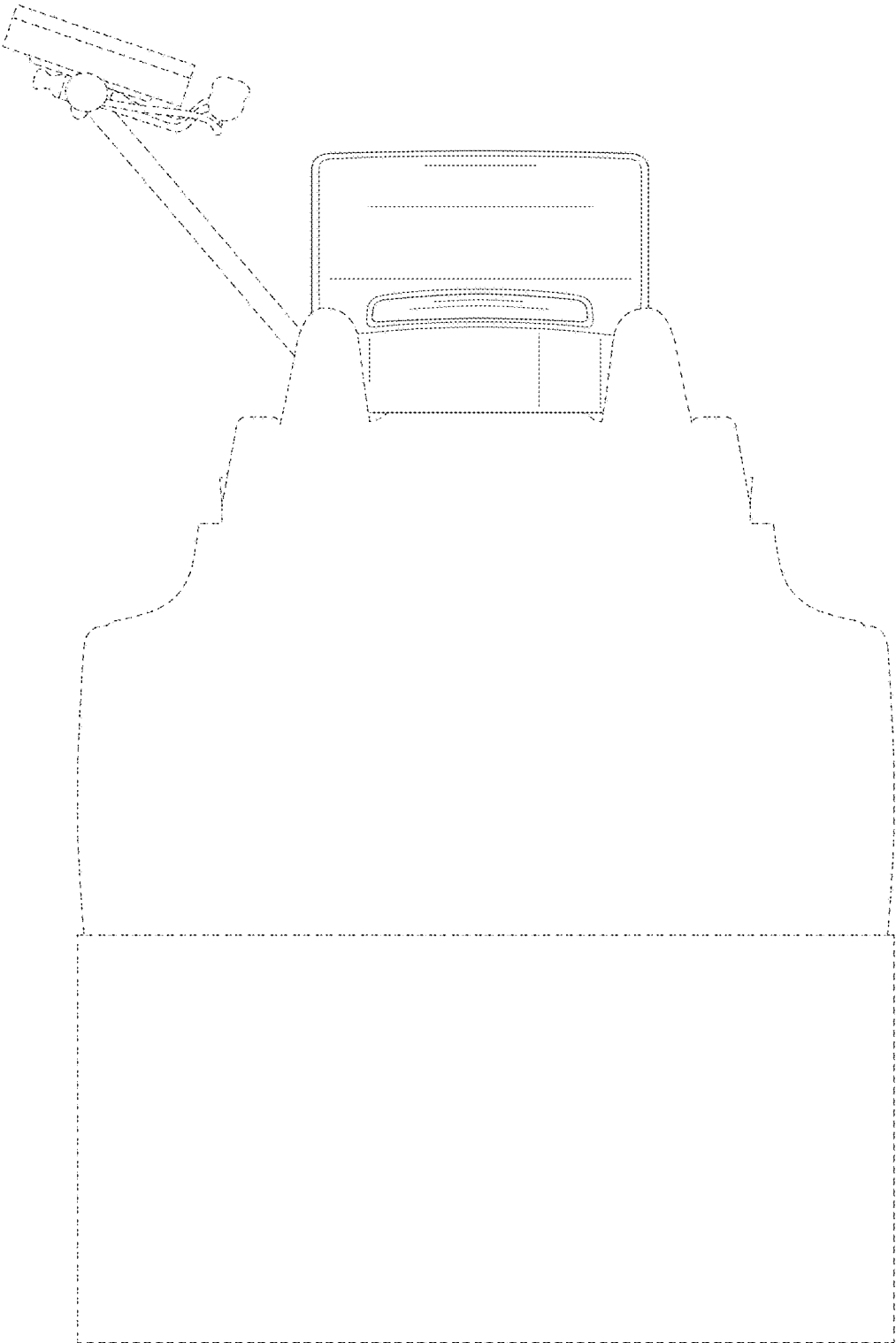


FIG. 7