



US00D726778S

(12) **United States Design Patent**
Little et al.

(10) **Patent No.:** **US D726,778 S**

(45) **Date of Patent:** **** Apr. 14, 2015**

(54) **SEED SENSOR**

(71) Applicant: **Deere & Company**, Moline, IL (US)

(72) Inventors: **Rory B. Little**, Bettendorf, IA (US);
Joseph E. Davenport, Harwood, ND (US); **Gregory K. Harmelink**, Moorhead, MN (US); **Nathan A. Mariman**, Geneseo, IL (US); **Bryan M. Margaria**, Apex, NC (US)

(73) Assignee: **Deere & Company**, One John Deere Place, Moline, IL (US)

(**) Term: **14 Years**

(21) Appl. No.: **29/480,991**

(22) Filed: **Jan. 31, 2014**

(51) **LOC (10) Cl.** **15-03**

(52) **U.S. Cl.**
USPC **D15/28**

(58) **Field of Classification Search**
USPC D15/10, 17, 22–26, 28; D12/192;
D13/184, 162, 164; D14/247, 285,
D14/415; D10/125; D34/28, 35; 220/811;
180/315, 89.1, 89.12, 235, 900;
414/273, 465, 454, 459, 460, 719, 694,
414/699, 722–724; 212/324, 326, 327
See application file for complete search history.

(56) **References Cited**

U.S. PATENT DOCUMENTS

D311,520 S * 10/1990 Serio, Jr. D13/184
D435,566 S * 12/2000 Anderson D15/28
D437,328 S * 2/2001 Anderson D15/28

D513,497 S * 1/2006 Whitehouse D13/162
D533,092 S * 12/2006 Disselkoen et al. D10/50
D542,745 S * 5/2007 Barnes et al. D13/184
D550,167 S * 9/2007 Popa D13/164
D564,972 S * 3/2008 Peterson D13/162
D567,776 S * 4/2008 Wells D13/184
D627,798 S * 11/2010 Berning et al. D15/28
D627,800 S * 11/2010 Berning et al. D15/28
D627,802 S * 11/2010 Berning et al. D15/28
D628,603 S * 12/2010 Berning et al. D15/28
D636,182 S * 4/2011 Yang D3/294
D647,542 S * 10/2011 Zwettler D15/28
D650,815 S * 12/2011 Pellervo Viertola et al. .. D15/28
RE43,772 E * 10/2012 Mariman et al. 111/174
2004/0231575 A1 * 11/2004 Wilkerson et al. 111/127
2007/0084387 A1 * 4/2007 Mariman et al. 111/174
2009/0090284 A1 * 4/2009 Peterson et al. 111/185
2013/0192504 A1 * 8/2013 Sauder et al. 111/184
2014/0261118 A1 * 9/2014 Mayerle 111/184

* cited by examiner

Primary Examiner — Mark Goodwin

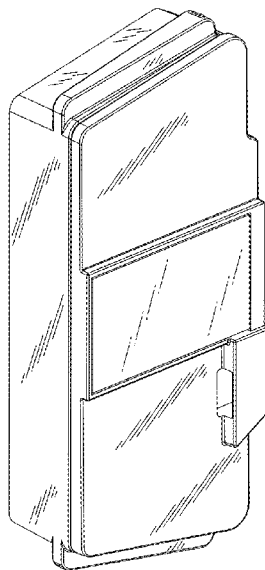
(57) **CLAIM**

The ornamental design for a seed sensor, as shown and described.

DESCRIPTION

FIG. 1 is a left front perspective view of a seed sensor showing our new design.
FIG. 2 is a right front perspective view thereof.
FIG. 3 is a top view thereof.
FIG. 4 is a left side view thereof.
FIG. 5 is a front view thereof.
FIG. 6 is a right side view thereof.
FIG. 7 is a bottom view thereof; and,
FIG. 8 is a rear view thereof.

1 Claim, 4 Drawing Sheets



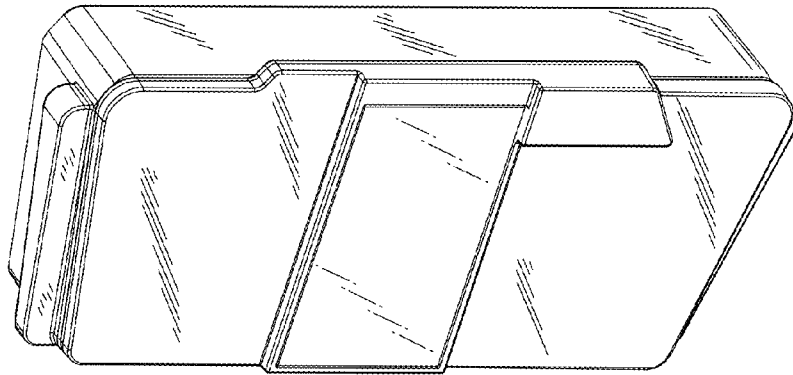


FIG. 2

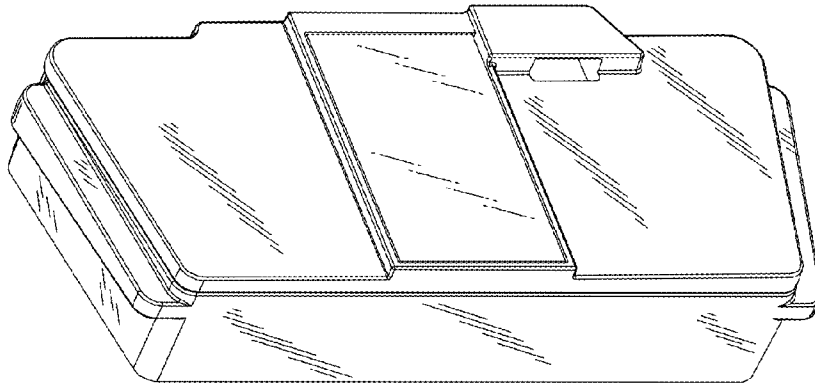


FIG. 1

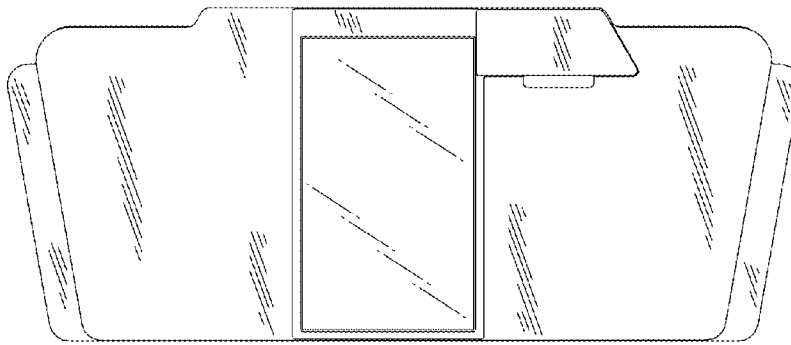


FIG. 4

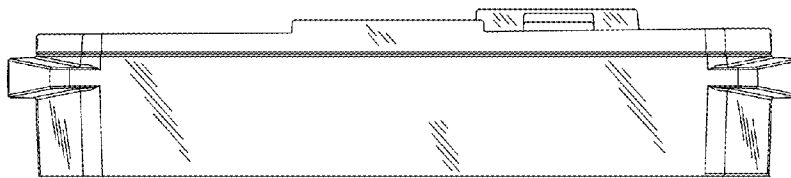


FIG. 3

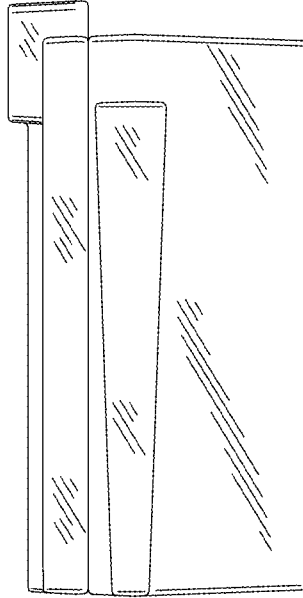


FIG. 6

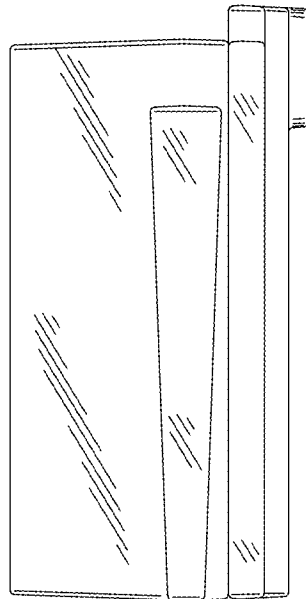


FIG. 5

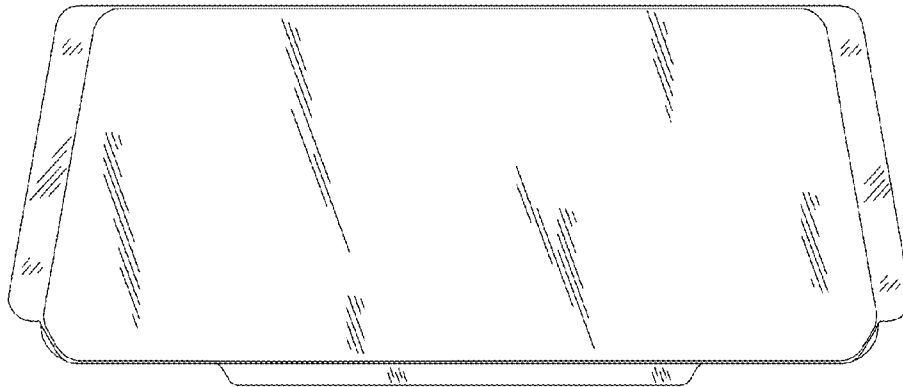


FIG. 8

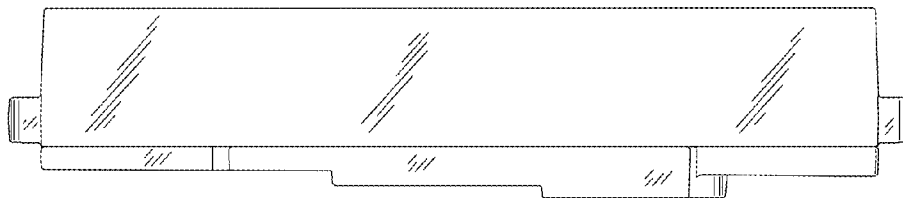


FIG. 7