

(19) World Intellectual Property Organization
International Bureau



(43) International Publication Date
24 January 2008 (24.01.2008)

PCT

(10) International Publication Number
WO 2008/010904 A3

- (51) International Patent Classification:
A63F 1/18 (2006.01)
- (21) International Application Number:
PCT/US2007/015206
- (22) International Filing Date: 29 June 2007 (29.06.2007)
- (25) Filing Language: English
- (26) Publication Language: English
- (30) Priority Data:
60/817,955 30 June 2006 (30.06.2006) US
- (71) Applicant (for all designated States except US): WMS
GAMING INC. [US/US]; 800 S. Northpoint Boulevard,
Waukegan, IL 60085 (US).
- (72) Inventors; and
- (75) Inventors/Applicants (for US only): ENGLMAN, Allon,
G. [AU/US]; 2800 N. Lake Shore Drive, #3917, Chicago,
IL 60657 (US). JAFFE, Joel, R. [US/US]; 342 N. Branch
Road, Glenview, IL 60025 (US). JOSHI, Shridhar, P.
[IN/US]; 751 Eagle Brook Lane, Naperville, IL 60565

- (US). MASTROPIETRO, Michael, W. [US/US]; 3244
N. Oakley, Chicago, IL 60618 (US). THOMAS, Alfred
[US/US]; 2385 E. Windmill, #247, Las Vegas, NV 89123
(US).
- (74) Agents: BURNHAM, Daniel, J. et al.; Nixon Peabody
LLP, 161 N. Clark Street, Suite 4800, Chicago, IL 60601-
3213 (US).
- (81) Designated States (unless otherwise indicated, for every
kind of national protection available): AE, AG, AL, AM,
AT, AU, AZ, BA, BB, BG, BH, BR, BW, BY, BZ, CA, CH,
CN, CO, CR, CU, CZ, DE, DK, DM, DO, DZ, EC, EE, EG,
ES, FI, GB, GD, GE, GH, GM, GT, HN, HR, HU, ID, IL,
IN, IS, JP, KE, KG, KM, KN, KP, KR, KZ, LA, LC, LK,
LR, LS, LT, LU, LY, MA, MD, ME, MG, MK, MN, MW,
MX, MY, MZ, NA, NG, NI, NO, NZ, OM, PG, PH, PL,
PT, RO, RS, RU, SC, SD, SE, SG, SK, SL, SM, SV, SY,
TJ, TM, TN, TR, TT, TZ, UA, UG, US, UZ, VC, VN, ZA,
ZM, ZW.
- (84) Designated States (unless otherwise indicated, for every
kind of regional protection available): ARIPO (BW, GH,

[Continued on next page]

(54) Title: PROGRESSIVE GAME ELIGIBILITY AND WINNING

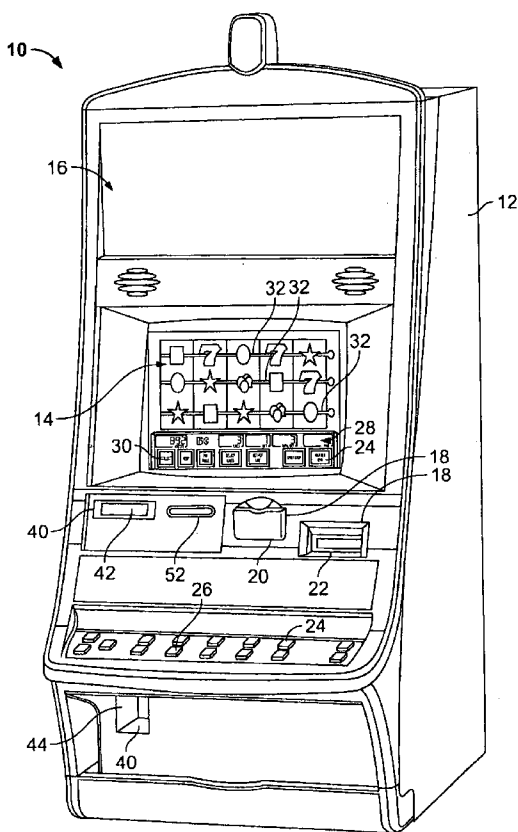


FIG. 1a

(57) Abstract: A gaming system for conducting a wagering game includes both enhanced as well as new ways of winning a progressive jackpot. New ways of becoming eligible for a progressive jackpot are also disclosed. In some embodiments, the reset amount, startup value, and funding percentage may be selected as needed to improve player excitement and anticipation. Players may also customize various aspects of the progressive game upon payment of a fee.

WO 2008/010904 A3



GM, KE, LS, MW, MZ, NA, SD, SL, SZ, TZ, UG, ZM, ZW), Eurasian (AM, AZ, BY, KG, KZ, MD, RU, TJ, TM), European (AT, BE, BG, CH, CY, CZ, DE, DK, EE, ES, FI, FR, GB, GR, HU, IE, IS, IT, LT, LU, LV, MC, MT, NL, PL, PT, RO, SE, SI, SK, TR), OAPI (BF, BJ, CF, CG, CI, CM, GA, GN, GQ, GW, ML, MR, NE, SN, TD, TG).

Published:

— *with international search report*

(88) Date of publication of the international search report:
23 April 2009

Declarations under Rule 4.17:

- *as to the applicant's entitlement to claim the priority of the earlier application (Rule 4.17(iii))*
- *of inventorship (Rule 4.17(iv))*

INTERNATIONAL SEARCH REPORT

International application No.

PCT/US07/15206

A. CLASSIFICATION OF SUBJECT MATTER

IPC: **A63F 1/18**(2006.01)

USPC: 463/27

According to International Patent Classification (IPC) or to both national classification and IPC

B. FIELDS SEARCHED

Minimum documentation searched (classification system followed by classification symbols)
U.S. : 463/27

Documentation searched other than minimum documentation to the extent that such documents are included in the fields searched

Electronic data base consulted during the international search (name of data base and, where practicable, search terms used)

C. DOCUMENTS CONSIDERED TO BE RELEVANT

Category *	Citation of document, with indication, where appropriate, of the relevant passages	Relevant to claim No.
X	US 5,911 626 (MCCREA, JR.) 15 June 1999 (15.06.1999), entire document.	1-13, 16-20
Y	US 2003/0036425 A1 (KAMINKOW et al.) 20 February 2003 (20.02.2003), entire document.	14-15

Further documents are listed in the continuation of Box C.

See patent family annex.

* Special categories of cited documents:

"A"	document defining the general state of the art which is not considered to be of particular relevance	"T"	later document published after the international filing date or priority date and not in conflict with the application but cited to understand the principle or theory underlying the invention
"E"	earlier application or patent published on or after the international filing date	"X"	document of particular relevance; the claimed invention cannot be considered novel or cannot be considered to involve an inventive step when the document is taken alone
"L"	document which may throw doubts on priority claim(s) or which is cited to establish the publication date of another citation or other special reason (as specified)	"Y"	document of particular relevance; the claimed invention cannot be considered to involve an inventive step when the document is combined with one or more other such documents, such combination being obvious to a person skilled in the art
"O"	document referring to an oral disclosure, use, exhibition or other means	"&"	document member of the same patent family
"P"	document published prior to the international filing date but later than the priority date claimed		

Date of the actual completion of the international search

17 September 2008 (17.09.2008)

Date of mailing of the international search report

19 SEP 2008

Name and mailing address of the ISA/US

Mail Stop PCT, Attn: ISA/US
Commissioner for Patents
P.O. Box 1450
Alexandria, Virginia 22313-1450

Facsimile No. (571) 273-3201

Authorized officer

John Hotaling

Telephone No. (571) 272-3700