



US00D474176S

(12) **United States Design Patent** (10) **Patent No.:** **US D474,176 S**
Furusho et al. (45) **Date of Patent:** **** May 6, 2003**

(54) **PROTECTIVE CAGE PORTION** D284,081 S * 6/1986 Taylor D14/257
D379,836 S * 6/1997 Chen D21/691
D394,262 S * 5/1998 Cross et al. D14/188

(75) Inventors: **Kazuo Furusho**, Sai Kung (HK);
Edward Arthur Holland, Tai Po (HK);
Yee Ming Chan, Yuen Long (HK);
Edison Yip, Kowloon (HK); **Ho Kit Chan**, Shatin (HK); **John Joseph Raab**, Brielle, NJ (US)

OTHER PUBLICATIONS

U.S. patent application Ser. No. 29/150,934, filed Nov. 29, 2001, Furusho, et al.
U.S. patent application Ser. No. 29/153,474, filed Nov. 29, 2001, Furusho, et al.

(73) Assignee: **Emerson Radio Corp.**, Parsippany, NJ (US)

* cited by examiner

(**) Term: **14 Years**

Primary Examiner—Nanda Bondade
(74) *Attorney, Agent, or Firm*—Darby & Darby

(21) Appl. No.: **29/150,935**

(57) **CLAIM**

(22) Filed: **Nov. 29, 2001**

The ornamental design for a protective cage portion, as shown and described.

Related U.S. Application Data

DESCRIPTION

(63) Continuation of application No. 29/149,130, filed on Oct. 2, 2001.

FIG. 1 is a front perspective view of a protective cage portion showing our new design;

(51) **LOC (7) Cl.** **14-99**

FIG. 2 is an enlarged front elevational view thereof;

(52) **U.S. Cl.** **D14/217; D14/196**

FIG. 3 is a right side view thereof, the left side being a mirror image thereof;

(58) **Field of Search** D14/160-165,
D14/167-168, 170-171, 188, 193-198,
217, 299; D21/686, 691, 694, 697; 455/344-345,
347, 350-351

FIG. 4 is a rear elevational view thereof;

FIG. 5 is a top plan view thereof; and,

FIG. 6 is a bottom plan view thereof.

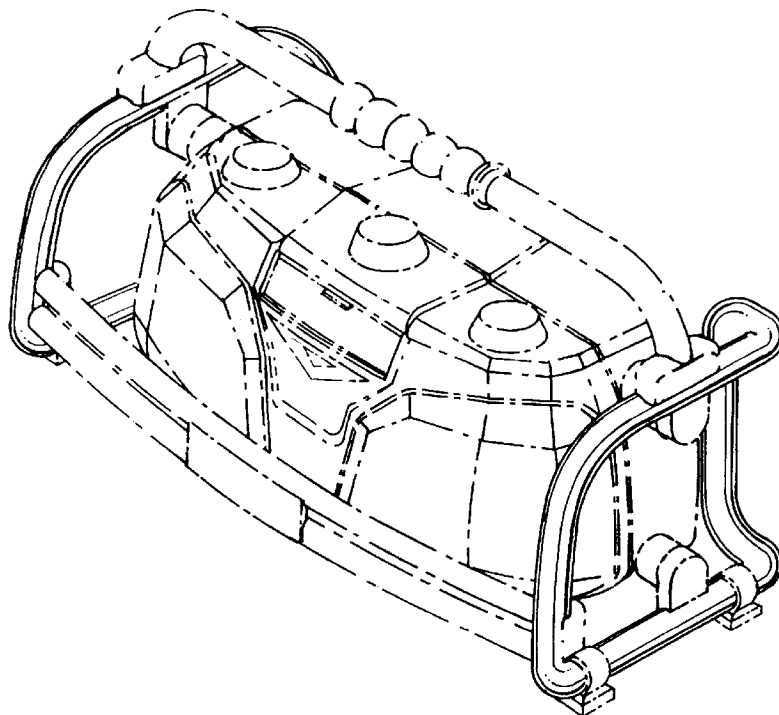
(56) **References Cited**

The broken line showing of a radio, handle, and connectors for attaching the radio to the protective cage is for illustrative purposes only and forms no part of the claimed design.

U.S. PATENT DOCUMENTS

2,817,347 A * 12/1957 Hilt, Sr. D21/691
D262,537 S * 1/1982 Kikuhara D14/188

1 Claim, 5 Drawing Sheets



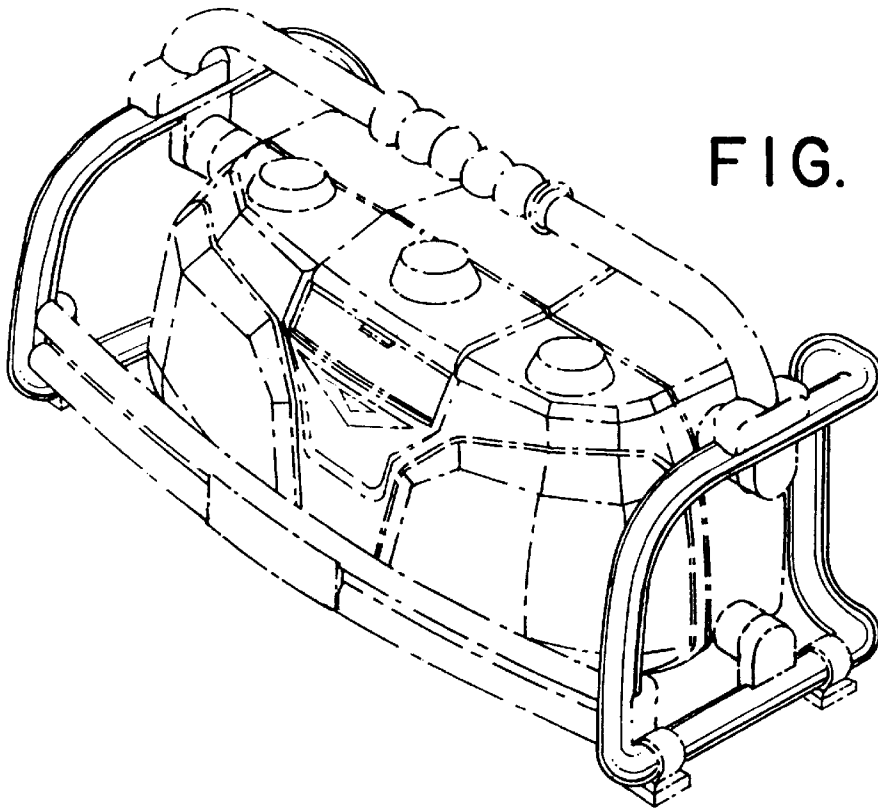


FIG. 1

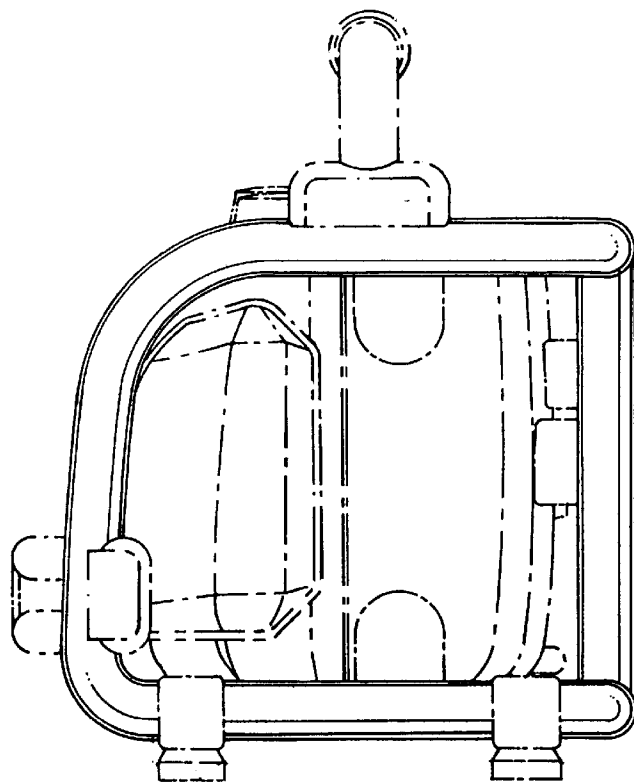


FIG. 3

FIG. 2

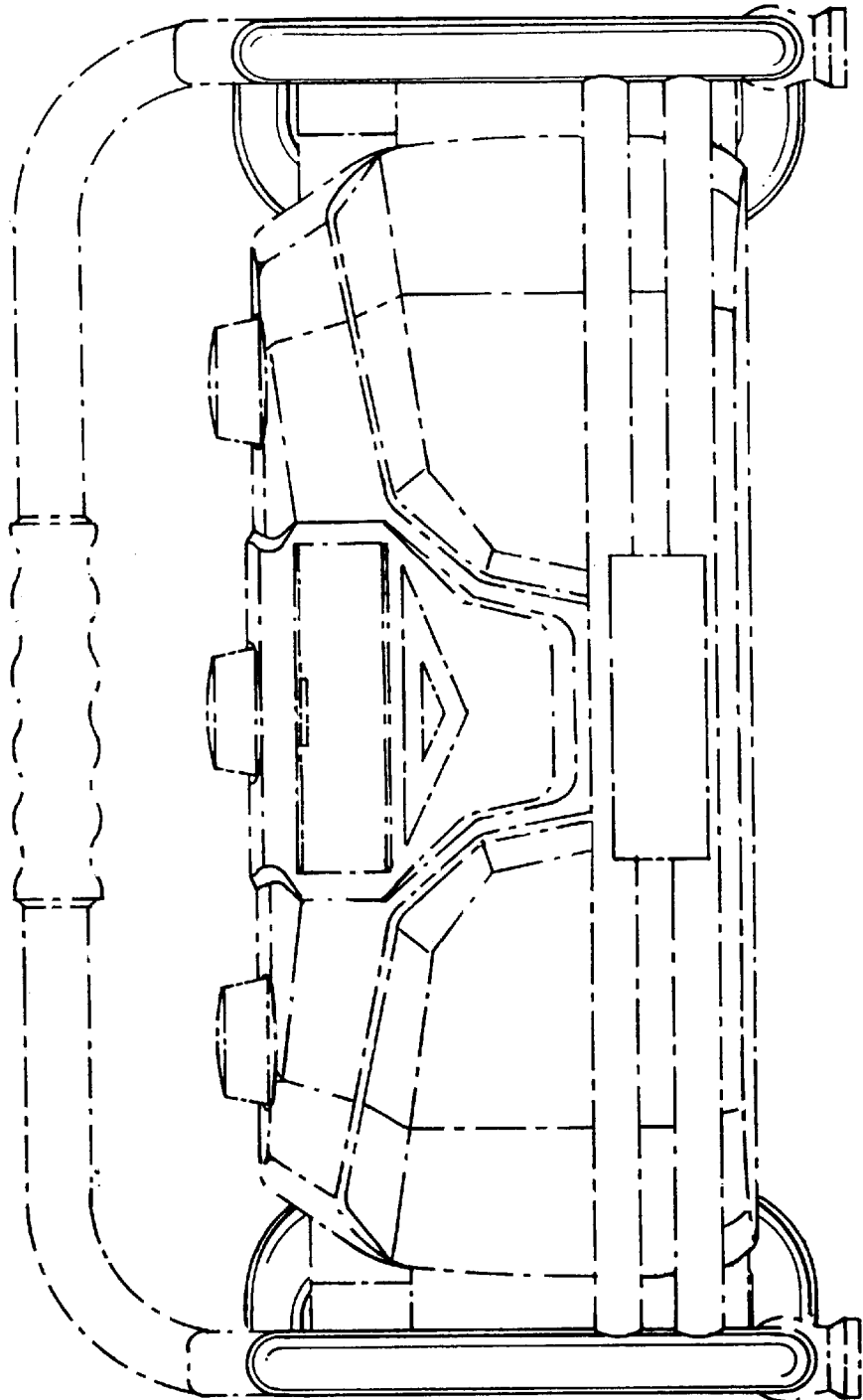


FIG. 4

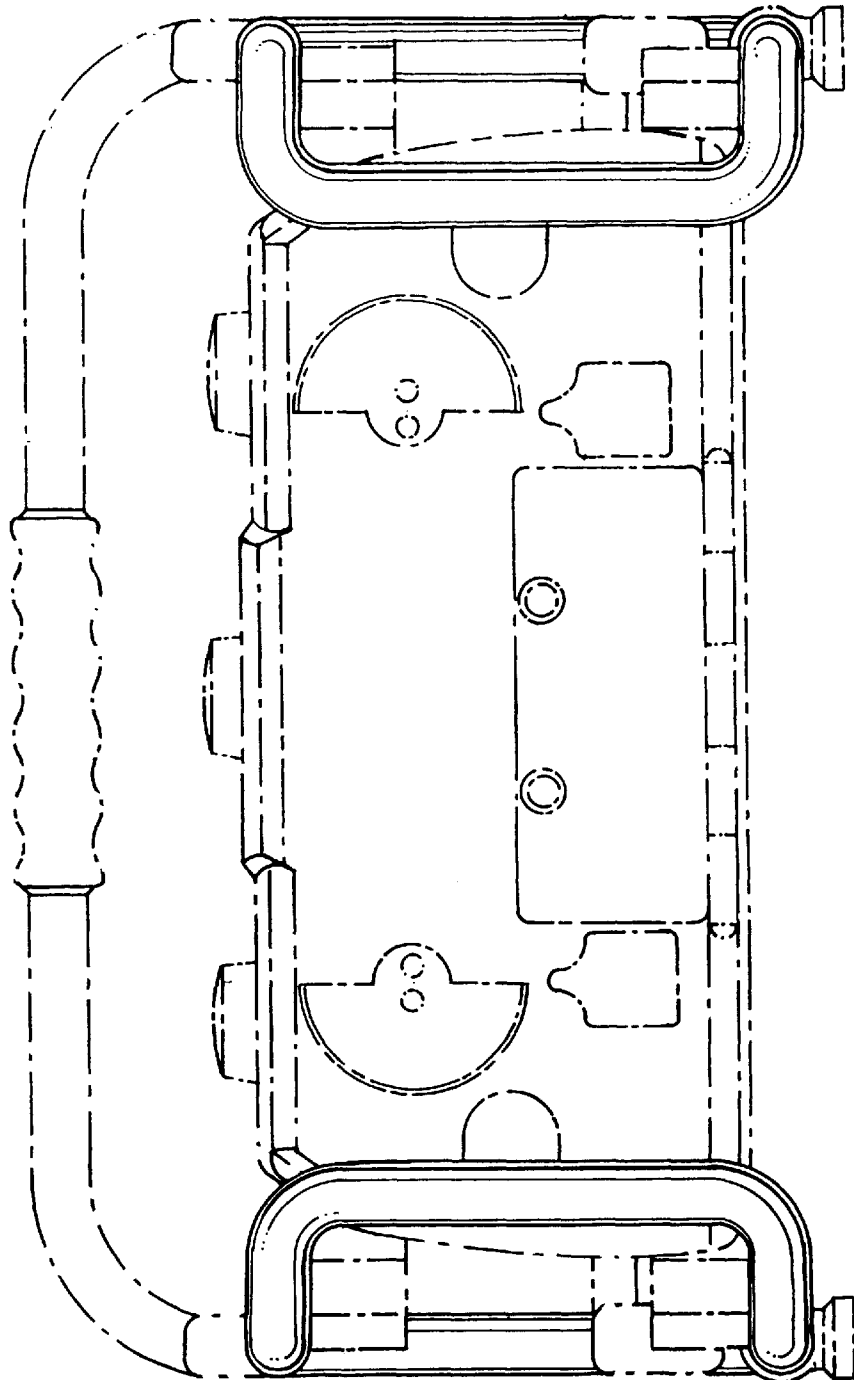


FIG. 5

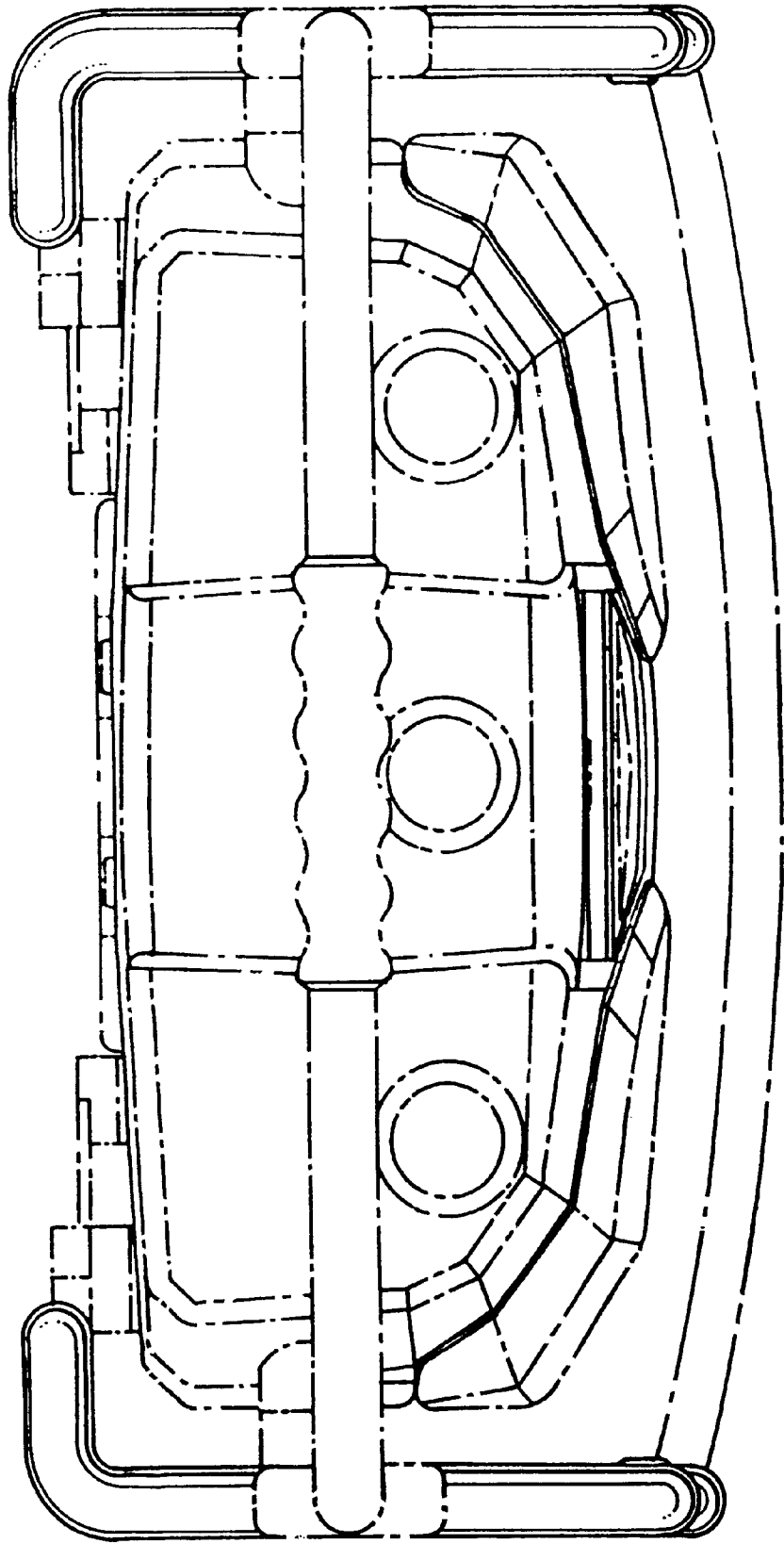


FIG. 6

