

(19) World Intellectual Property Organization  
International Bureau



(43) International Publication Date  
22 November 2007 (22.11.2007)

PCT

(10) International Publication Number  
**WO 2007/134073 A3**

(51) International Patent Classification:  
*E04B 1/20* (2006.01)

(21) International Application Number:  
PCT/US2007/068498

(22) International Filing Date: 8 May 2007 (08.05.2007)

(25) Filing Language: English

(26) Publication Language: English

(30) Priority Data:  
60/798,699 8 May 2006 (08.05.2006) US

(71) Applicant and  
(72) Inventor (for all designated States except US): **POWELL, David, W.** [US/US]; 8108 Texas Plume Road, Austin, TX 78759 (US).

(74) Agent: **YEAGER, Rick, B.**; 10805 Mellow Lane, Austin, TX 78759 (US).

(81) Designated States (unless otherwise indicated, for every kind of national protection available): AE, AG, AL, AM,

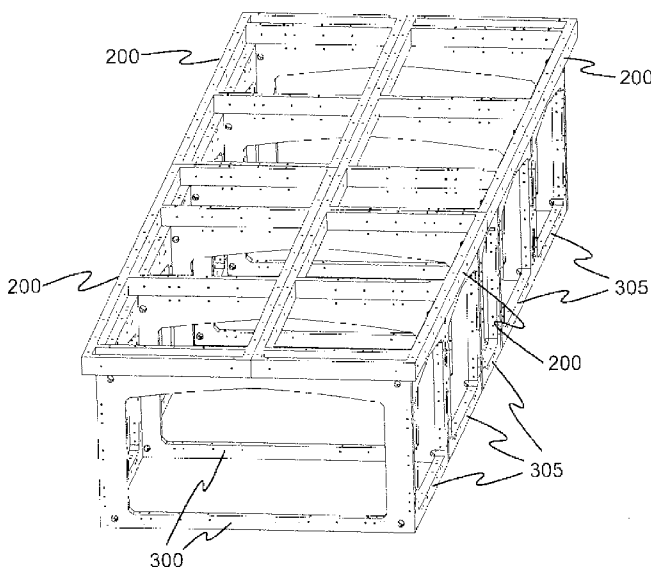
AT, AU, AZ, BA, BB, BG, BH, BR, BW, BY, BZ, CA, CH, CN, CO, CR, CU, CZ, DE, DK, DM, DZ, EC, EE, EG, ES, FI, GB, GD, GE, GH, GM, GT, HN, HR, HU, ID, IL, IN, IS, JP, KE, KG, KM, KN, KP, KR, KZ, LA, LC, LK, LR, LS, LT, LU, LY, MA, MD, ME, MG, MK, MN, MW, MX, MY, MZ, NA, NG, NI, NO, NZ, OM, PG, PH, PL, PT, RO, RS, RU, SC, SD, SE, SG, SK, SL, SM, SV, SY, TJ, TM, TN, TR, TT, TZ, UA, UG, US, UZ, VC, VN, ZA, ZM, ZW.

(84) Designated States (unless otherwise indicated, for every kind of regional protection available): ARIPO (BW, GH, GM, KE, LS, MW, MZ, NA, SD, SL, SZ, TZ, UG, ZM, ZW), Eurasian (AM, AZ, BY, KG, KZ, MD, RU, TJ, TM), European (AT, BE, BG, CH, CY, CZ, DE, DK, EE, ES, FI, FR, GB, GR, HU, IE, IS, IT, LT, LU, LV, MC, MT, NL, PL, PT, RO, SE, SI, SK, TR), OAPI (BF, BJ, CF, CG, CI, CM, GA, GN, GQ, GW, ML, MR, NE, SN, TD, TG).

**Published:**  
— with international search report  
— before the expiration of the time limit for amending the claims and to be republished in the event of receipt of amendments

(88) Date of publication of the international search report:  
3 April 2008

(54) Title: CONSTRUCTION METHOD USING PRECAST PLANAR FRAME ELEMENTS



(57) Abstract: Elevated platforms of variable size are fabricated from pre-cast planar construction blocks. The platforms may be used to support pre-cast structures or prefabricated units. The platform comprises a plurality of support blocks (300) which include haunches (110) to support drop-in beams (111) of variable length. The platforms are supported by pre-cast pedestal block foundation elements (309) which may be installed on the surface, buried, or partially buried. The platforms may also be supported by pile cap blocks (314) or nested assemblies of pile cap blocks which are grouted over conventional piles. The modular elements may include mechanical, electrical, and plumbing MEP ports for providing utilities through the platform or structure.

WO 2007/134073 A3

**INTERNATIONAL SEARCH REPORT**

International application No  
PCT/US2007/068498

<b>A. CLASSIFICATION OF SUBJECT MATTER</b> INV. E04B1/20		
According to International Patent Classification (IPC) or to both national classification and IPC		
<b>B. FIELDS SEARCHED</b>		
Minimum documentation searched (classification system followed by classification symbols) E04B		
Documentation searched other than minimum documentation to the extent that such documents are included in the fields searched		
Electronic data base consulted during the international search (name of data base and, where practical, search terms used) EPO-Internal		
<b>C. DOCUMENTS CONSIDERED TO BE RELEVANT</b>		
Category*	Citation of document, with indication, where appropriate, of the relevant passages	Relevant to claim No.
X	FR 1 413 828 A (ROLAND MAES) 8 October 1965 (1965-10-08)	1,2,19
Y	the whole document	3,5-14, 17,18,20
Y	US 2004/134152 A1 (POWELL DAVID W [US]) 15 July 2004 (2004-07-15) paragraph [0118]; figures 5a,5b,6,18,20a,33b,34a	3,5,6, 17,18
Y	WO 2004/099515 A (POWELL DAVID W [US]) 18 November 2004 (2004-11-18) figures 3A-3F,4A,4B,15C	7-14,17, 18,20
A	DE 20 2005 013829 U1 (KNOECHEL HEIKE [DE]) 24 November 2005 (2005-11-24) abstract; figure 1	1-20
-/--		
<input checked="" type="checkbox"/> Further documents are listed in the continuation of Box C. <input checked="" type="checkbox"/> See patent family annex.		
* Special categories of cited documents : *A* document defining the general state of the art which is not considered to be of particular relevance *E* earlier document but published on or after the international filing date *L* document which may throw doubts on priority claim(s) or which is cited to establish the publication date of another citation or other special reason (as specified) *O* document referring to an oral disclosure, use, exhibition or other means *P* document published prior to the international filing date but later than the priority date claimed *T* later document published after the international filing date or priority date and not in conflict with the application but cited to understand the principle or theory underlying the invention *X* document of particular relevance; the claimed invention cannot be considered novel or cannot be considered to involve an inventive step when the document is taken alone *Y* document of particular relevance; the claimed invention cannot be considered to involve an inventive step when the document is combined with one or more other such documents, such combination being obvious to a person skilled in the art. *&* document member of the same patent family		
Date of the actual completion of the international search  4 January 2008		Date of mailing of the international search report  21/01/2008
Name and mailing address of the ISA/ European Patent Office, P.B. 5818 Patentlaan 2 NL - 2280 HV Rijswijk Tel. (+31-70) 340-2040, Tx. 31 651 epo nl, Fax: (+31-70) 340-3016		Authorized officer  Khera, Daljit

**INTERNATIONAL SEARCH REPORT**

International application No  
PCT/US2007/068498

C(Continuation). DOCUMENTS CONSIDERED TO BE RELEVANT		
Category*	Citation of document, with indication, where appropriate, of the relevant passages	Relevant to claim No.
A	US 4 144 692 A (JONAS GERALD L) 20 March 1979 (1979-03-20) abstract; figure 7 -----	1-20

# INTERNATIONAL SEARCH REPORT

Information on patent family members

International application No <b>PCT/US2007/068498</b>
--

Patent document cited in search report	A	Publication date	Patent family member(s)	Publication date
FR 1413828	A	08-10-1965	NONE	
US 2004134152	A1	15-07-2004	NONE	
WO 2004099515	A	18-11-2004	CN 1816667 A EP 1629160 A1	09-08-2006 01-03-2006
DE 202005013829	U1	24-11-2005	NONE	
US 4144692	A	20-03-1979	NONE	