

(19) World Intellectual Property  
Organization  
International Bureau



(43) International Publication Date  
12 February 2004 (12.02.2004)

PCT

(10) International Publication Number  
**WO 2004/014096 A1**

(51) International Patent Classification<sup>7</sup>: **H04Q 7/38**,  
H04L 12/56

(21) International Application Number:  
PCT/IB2003/003222

(22) International Filing Date: 16 July 2003 (16.07.2003)

(25) Filing Language: English

(26) Publication Language: English

(30) Priority Data:  
0217707.9 31 July 2002 (31.07.2002) GB

(71) Applicant (for all designated States except US): **KONINKLIJKE PHILIPS ELECTRONICS N.V.** [NL/NL];  
Groenewoudseweg 1, NL-5621 BA Eindhoven (NL).

(72) Inventors; and

(75) Inventors/Applicants (for US only): **EVANS, David,**

H. [GB/GB]; c/o Philips Intellectual Property & Standards, Cross Oak Lane, Redhill, Surrey RH1 5HA (GB).  
**RANKIN, Paul, J.** [GB/GB]; c/o Philips Intellectual Property & Standards, Cross Oak Lane, Redhill, Surrey RH1 5HA (GB).

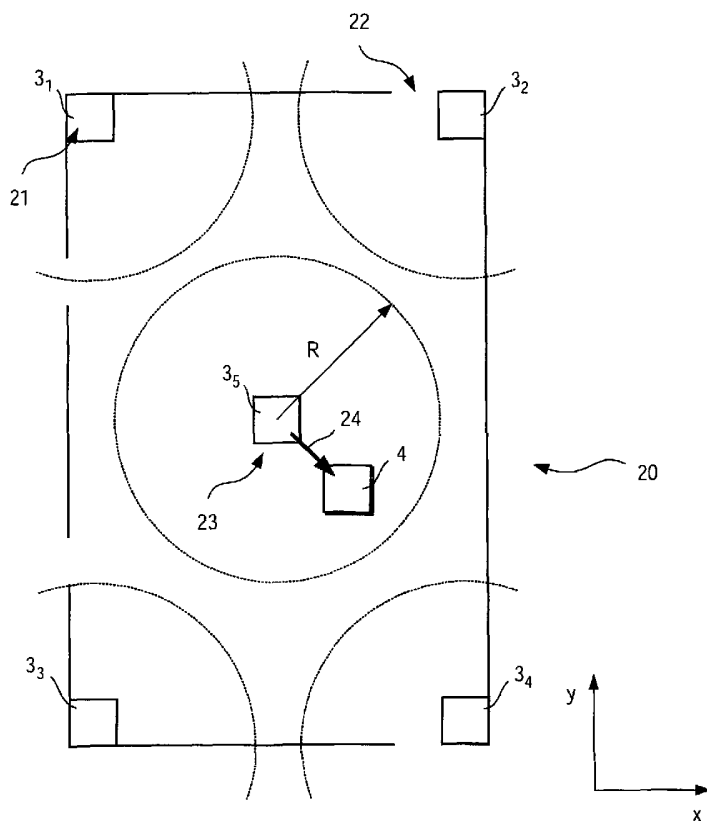
(74) Agent: **WHITE, Andrew, G.;** Philips Intellectual Property & Standards, Cross Oak Lane, Redhill, Surrey RH1 5HA (GB).

(81) Designated States (national): AE, AG, AL, AM, AT, AU, AZ, BA, BB, BG, BR, BY, BZ, CA, CH, CN, CO, CR, CU, CZ, DE, DK, DM, DZ, EC, EE, ES, FI, GB, GD, GE, GH, GM, HR, HU, ID, IL, IN, IS, JP, KE, KG, KP, KR, KZ, LC, LK, LR, LS, LT, LU, LV, MA, MD, MG, MK, MN, MW, MX, MZ, NO, NZ, OM, PH, PL, PT, RO, RU, SC, SD, SE, SG, SK, SL, TJ, TM, TN, TR, TT, TZ, UA, UG, US, UZ, VC, VN, YU, ZA, ZM, ZW.

(84) Designated States (regional): ARIPO patent (GH, GM, KE, LS, MW, MZ, SD, SL, SZ, TZ, UG, ZM, ZW),

[Continued on next page]

(54) Title: SYSTEM FOR LOCATING A MOBILE UNIT



(57) Abstract: A wireless local area network (LAN) comprises an access point which transmits a beacon signal at 0 dBm. The detection threshold of the mobile unit is -65 dBm and thus the mobile unit is detected when located within 10 metres of the access point.

WO 2004/014096 A1



Eurasian patent (AM, AZ, BY, KG, KZ, MD, RU, TJ, TM),  
European patent (AT, BE, BG, CH, CY, CZ, DE, DK, EE,  
ES, FI, FR, GB, GR, HU, IE, IT, LU, MC, NL, PT, RO,  
SE, SI, SK, TR), OAPI patent (BF, BJ, CF, CG, CI, CM,  
GA, GN, GQ, GW, ML, MR, NE, SN, TD, TG).

*For two-letter codes and other abbreviations, refer to the "Guidance Notes on Codes and Abbreviations" appearing at the beginning of each regular issue of the PCT Gazette.*

**Published:**

— *with international search report*

## DESCRIPTION

**SYSTEM FOR LOCATING A MOBILE UNIT**

5           The present invention relates to a system for locating a mobile unit, particularly, although not exclusively which includes a wireless local area network (LAN).

          It is desirable to locate a mobile unit, such as a cellular telephone  
10   handset or personal data assistant (PDA), so as to provide customised services, such as targeting advertisements at potential customers passing a shop.

          It is known to locate a mobile unit using the global positioning system (GPS). However, GPS, particularly for mass-market use, suffers several  
15   drawbacks. Firstly, it is costly to manufacture a mobile unit including a GPS receiver. Secondly, there is delay in locating the mobile unit when it is first switched on. Thirdly, it is difficult to locate a mobile unit when it is positioned indoors.

          It is also known to locate a mobile unit using wireless local area  
20   networks (LANs). For example, it is possible to locate a mobile unit relative to fixed units using so-called "time of arrival" (TOA) method in which a time delay is used to calculate the distance between a fixed and a mobile unit. However, the TOA method yields coarse results which are accurate to no more than about 100 metres. A more accurate method uses "time difference of arrival"  
25   (TDOA) in which a mobile unit receives signals at different times. However, the TDOA method requires multiple fixed units. Another method employs high chipping rates used to spread a signal across a wider bandwidth. The higher chipping rates use shorter pulse lengths, which provides improved resolution.

          A mobile unit may be more accurately located by exchanging  
30   information with fixed units and other mobile units, as described in "An Overview of Positioning by Diffusion" by Michael Spratt, Hewlett-Packard Laboratories, Bristol, UK, 9 September 2001.

The present invention seeks to provide a system for locating a mobile unit. According to the present invention there is provided a system for locating a mobile unit including means for transmitting a first signal at a relatively high power, means for transmitting a second signal at a predetermined, relatively low power, means for receiving said first signal, means for determining a first signal strength of said first signal at said means for receiving said first signal, means for determining whether said first signal strength exceeds a relatively low threshold level so as to determine whether service may be provided, means for receiving said second signal, means for determining a second signal strength of said second received at received at said means for receiving said second signal, means for determining whether said second signal strength exceeds a relatively high threshold level so as to locate the mobile unit within a known distance of said means for transmitting said second signal.

The relatively high power may be at least 0 dBm, 6 dBm, 13 dBm or 20 dBm. The relatively low power may be no more than 0 dBm. The relatively low threshold level may be no more than -85 dBm. The relatively high threshold level may be no less than -65 dBm. The means for transmitting said first and second signals may transmit the first and second signals at different times.

The system may be a wireless local area network. The means for transmitting the first signal may be an access point and the means for transmitting the second signal may also be an access point. The means for receiving the first signal may be a mobile unit and the means for receiving the first signal may also be a mobile unit.

The means for transmitting the first signal may be a mobile unit and the means for transmitting the second signal may also be a mobile unit. The means for receiving the first signal may be an access point and the means for receiving the second signal may also be an access point.

According to the present invention there is also provided a system for locating a mobile unit including a first transmitter for transmitting a first signal at a relatively high power, a second transmitter for transmitting a second signal

at a predetermined, relatively low power, a first receiver for receiving said first signal, a first detector for determining a first signal strength of said first signal at said first receiver, a first controller for determining whether said first signal strength exceeds a relatively low threshold level so as to determine whether  
5 service may be provided, a second receiver for receiving said second signal, a second detector for determining a second signal strength of said second signal at said second receiver, a second controller for determining whether said second signal strength exceeds a relatively high threshold level so as to locate the mobile unit within a known distance of said means for transmitting said  
10 second signal.

According to the present invention there is also provided a method of operating the system.

Embodiments of the present invention will now be described, by way of  
15 example with reference to the accompanying drawings, in which:

Figure 1 is a schematic diagram of a wireless local area network;

Figure 2 is a schematic diagram of an access point

Figure 3 is a schematic diagram of a mobile unit;

Figure 4 shows the wireless local area network of Figure 1 deployed in  
20 a room;

Figure 5 shows a relationship between power of a signal received at a mobile unit and distance between the mobile unit and a transmitter;

Figure 6 is a plot of transmitted power against time;

Figure 7 is a plot of detection threshold against time;

Figure 8 is another plot of transmitted power against time;  
25

Figure 9 is another plot of transmitter power against time;

Figure 10 shows regions in which a mobile unit may be located and

Figure 11 shows the wireless local area network of Figure 1 deployed in  
a room in another configuration.

30

Referring to Figure 1, a system for locating a mobile unit according to the present invention is shown. The system comprises a wireless local access

network (LAN) 1 including a wired network 2 and a plurality of access points 3<sub>1</sub>, 3<sub>2</sub>, 3<sub>3</sub>, 3<sub>4</sub>, 3<sub>5</sub>. A mobile unit 4 is connectable to the wireless LAN 1 via a wireless link 5. In this example, the wireless network 1 and mobile unit 4 are connectable using radio frequency signals operating in the 2.4 GHz band according to the IEEE 802.11 standard.

Referring to Figure 2, each access point 3<sub>1</sub>, 3<sub>2</sub>, 3<sub>3</sub>, 3<sub>4</sub>, 3<sub>5</sub> comprises a connector 6 to the wired network 2, an input/output section 7, a data processing section 8, a radio frequency section 9, an antenna 10 and a controller section 11. The input/output section 7 transmits and receives data to and from the wired network 2 and, amongst other things, buffers data. The processing section 8 for instance applies error protection/error detection routines and encrypts/decrypts data. The radio frequency section 9 for example modulates and demodulates signals and amplifies them. The input/output section 7, the data processing section 8, the radio frequency section 9 are controlled by the controller section 11.

Referring to Figure 3, the mobile unit 4 comprises a personal computer 12, such as a lap-top computer, and a wireless transmitter/receiver 13, for example in the form of a wireless network card. The wireless transmitter/receiver 13 comprises a connector 14 to the personal computer 12, an input/output section 15, a data processing section 16, a radio frequency section 17, an antenna 18 and a controller section 19, and have substantially the same functions as the corresponding sections of the wireless access point.

Further details regarding the wireless LAN 1 and the wireless transmitter/receiver 13 are described in Chapter 5 of "Deploying Wireless LANs" by Gil Held (McGraw-Hill, 2002).

Referring to Figure 4, the access points 3<sub>1</sub>, 3<sub>2</sub>, 3<sub>3</sub>, 3<sub>4</sub>, 3<sub>5</sub> are deployed in a room 20. In this example, the access points 3<sub>1</sub>, 3<sub>2</sub>, 3<sub>3</sub>, 3<sub>4</sub>, 3<sub>5</sub> are positioned in corners 21 of the room 20, some of which are located by doorways 22, and in the centre 23. The positions of the access points 3<sub>1</sub>, 3<sub>2</sub>, 3<sub>3</sub>, 3<sub>4</sub>, 3<sub>5</sub> are known and may be labelled (x<sub>1</sub>, y<sub>1</sub>), (x<sub>2</sub>, y<sub>2</sub>), (x<sub>3</sub>, y<sub>3</sub>), (x<sub>4</sub>, y<sub>4</sub>) and (x<sub>5</sub>, y<sub>5</sub>) respectively.

The mobile unit 4 may be located using an access point 3<sub>1</sub>, 3<sub>2</sub>, 3<sub>3</sub>, 3<sub>4</sub>, 3<sub>5</sub>, as will now be explained:

Each access point 3<sub>1</sub>, 3<sub>2</sub>, 3<sub>3</sub>, 3<sub>4</sub>, 3<sub>5</sub> is a transmitter and receiver. An access point 3<sub>1</sub>, 3<sub>2</sub>, 3<sub>3</sub>, 3<sub>4</sub>, 3<sub>5</sub> can transmit a signal at a selectable transmission power level, P<sub>tx</sub>. In this example, there are four selectable power levels, namely 20 dBm (100 mW), 13 dBm (20 mW), 6 dBm (4 mW) and 0 dBm (1 mW). Other power levels may be used. For example, the highest power level may be 30 dBm (1000mW).

The mobile unit 4 is also a transmitter and receiver. The mobile unit 4 can measure the power of a signal received by the antenna 18 and define a received signal strength indication (RSSI). This may be implemented in the rf section 17 (Figure 3). In this example, there are 16 RSSI levels ranging from level 0, which corresponds to a minimum detection level, in this case -85 dBm, to level 15 which corresponds to a maximum allowable input level, in this example -10dBm, in 5 dBm intervals.

The mobile unit 4 sets a detection threshold, P<sub>det</sub>. In this example, setting the detection threshold comprises measuring the signal strength and determining whether the received signal strength equals or exceeds the detection threshold. In an alternative embodiment, setting the detection threshold may comprises selecting a gain of the receiver 4, which limits the level of signal which can be detected, and determining whether a signal is detected.

Referring also to Figure 5, a signal 24 transmitted by the access point 3<sub>5</sub> and received at the mobile unit 4 is attenuated. The received signal strength, P<sub>rx</sub>, is inversely proportional to the square of the distance, r, separating the access point 3<sub>5</sub> and the mobile unit 4, i.e.  $P_{rx} \propto 1/r^2$ . If the mobile unit 4 detects the signal 24, then the mobile unit 4 is located within a radius R of the access point 3<sub>5</sub>.

A low transmission power level P<sub>tx</sub>, for example 0dBm, and a high detection threshold P<sub>det</sub>, preferably -65dBm, are selected so as locate the mobile unit 4 accurately, in this case within a radius of 10 metres of the

wireless access point 3<sub>5</sub>. However, a higher transmission power level  $P_{tx}$  and a lower detection threshold  $P_{det}$  are used, for example for providing service.

The mobile unit 4 may be located using an access point 3<sub>1</sub>, 3<sub>2</sub>, 3<sub>3</sub>, 3<sub>4</sub>, 3<sub>5</sub> under different situations:

5

*Location prior to connection to wireless LAN 1*

A mobile unit 4 may access a cell served by an access point 3<sub>1</sub>, 3<sub>2</sub>, 3<sub>3</sub>, 3<sub>4</sub>, 3<sub>5</sub>, usually referred to as a basic service set (BSS), by listening for a beacon frame transmitted by an access point 3<sub>1</sub>, 3<sub>2</sub>, 3<sub>3</sub>, 3<sub>4</sub>, 3<sub>5</sub>. This process is known as passive scanning. Beacon frames are defined in a medium access control (MAC) sub-layer of the IEEE 802.11 standard.

10

A modified passive scanning process is used to locate the mobile unit 4.

Referring to Figure 6, the access point 3<sub>5</sub> transmits first and second beacon signals 24<sub>1</sub>, 24<sub>2</sub>. The beacon signals 24<sub>1</sub>, 24<sub>2</sub> are repeatedly transmitted, for example every 20 milliseconds to 1 seconds, preferably every 1s. The first signal 24<sub>1</sub> is transmitted at a high transmission power  $P_1$ , for example 20 dBm (100 mW), and the second signal 24<sub>2</sub> is transmitted at a low transmission power  $P_2$ , in this case 0 dBm (1 mW).

15

Referring to Figure 7, the mobile unit 4 listens for signals in passive scanning mode, measuring received signal strengths and determining whether they exceed first and second signal detection thresholds  $P_A$ ,  $P_B$  respectively. The first signal detection threshold  $P_A$  is low, for example -85dBm, and the second signal detection threshold  $P_B$  is high, for example -65dBm. Thus, if a received signal has a power  $P_i$  lying between  $P_A$  and  $P_B$  ( $P_A < P_i < P_B$ ), then it exceeds  $P_A$  and is detected. However,  $P_i$  falls below  $P_B$  and is not detected.

20

25

Therefore, the detectable range  $R_1$  for the first signal 24<sub>1</sub> transmitted at  $P_1$  and detected with the first threshold  $P_A$  is usually about 100 metres assuming a clear line of sight between the mobile unit 4 and the access point 3<sub>5</sub>. The detectable range  $R_2$  for the second signal 24<sub>2</sub> transmitted at  $P_2$  and detected with the second threshold  $P_B$  is about 10 metres.

30

Thus, if the mobile unit 4 detects the second signal 24<sub>2</sub>, then it is within 10 metres of the access point 3<sub>5</sub>. The position of the access point 3<sub>5</sub> is

preferably included in the beacon frame to permit the mobile unit 4 to locate itself. Additionally or alternatively, the mobile unit 4 may return a signal to the access point 3<sub>5</sub> identifying itself and the fact that it has detected the second signal 24<sub>2</sub>. This allows the access point 3<sub>5</sub> or the wireless LAN 1 to locate the  
5 mobile

#### *Location after connection to wireless LAN 1*

Once the mobile unit 4 has joined a cell, it may stay there or roam to another cell without losing a connection. In either case, the mobile unit 4 is  
10 connected to an access point 3<sub>1</sub>, 3<sub>2</sub>, 3<sub>3</sub>, 3<sub>4</sub>, 3<sub>5</sub> and may exchange management, control and data frames. However, the mobile unit 4 may monitor a low power signal using the high threshold thereby allowing the location of the mobile unit 4 to be determined.

Referring to Figure 8, the access point 3<sub>5</sub> transmits a third signal 24<sub>3</sub>  
15 comprising management, control or data frames at one or more high power levels P<sub>3</sub>, P<sub>4</sub>. The power levels P<sub>3</sub>, P<sub>4</sub> may be adapted as power varies due to change in position of the mobile unit 4. Periodically, the access point 3<sub>5</sub> transmits a fourth signal 24<sub>4</sub> at the low power level P<sub>2</sub>.

The mobile unit 4 determines RSSI with first and second thresholds P<sub>A</sub>,  
20 P<sub>B</sub> as described earlier. The detectable range R<sub>3</sub> for the third signal 24<sub>3</sub> transmitted at P<sub>3</sub>, P<sub>4</sub> and measured with the first threshold P<sub>A</sub> is about 10 to 100 metres and the detectable range R<sub>4</sub> for the fourth signal 24<sub>4</sub> transmitted at P<sub>2</sub> and measured with the second threshold P<sub>B</sub> is about 10 metres.

Therefore, the mobile unit 4 may be provided with service by the access  
25 point 3<sub>5</sub> in a relatively large area, for example within a radius of between 10 and 100 metres, and should it pass near to the access point 3<sub>5</sub>, it can be located within a smaller area, for instance within a radius of 10 metres.

#### *Variable detection thresholds*

30 The mobile unit 4 described earlier selects a single threshold P<sub>B</sub> for accurate location. However, the mobile unit 4 may be modified to vary a locating threshold P<sub>loc</sub>, for example from a low value P<sub>A</sub>, to a value P<sub>B</sub> so as

determine for example, whether it is 30 metres or 10 metres away from the access point 3<sub>5</sub>.

Referring to Figure 9, the threshold  $P_{det}$  alternates between a value  $P_A$  used for normal operation to the locating threshold  $P_{loc}$ , the locating threshold  
5 being stepped from  $P_A$ ,  $P_C$  to  $P_B$ , wherein  $P_A < P_C < P_B$ .

Referring to Figure 10, this approach allows the mobile unit 4 to be located to varying degrees of accuracy, as indicated by circles 25<sub>1</sub>, 25<sub>2</sub>, 25<sub>3</sub> of increasing radius.

Furthermore, it allows the mobile unit 4 to be located within annuli 26<sub>1</sub>,  
10 26<sub>2</sub> if the mobile unit 4 is not located within an inner circle 25<sub>1</sub>, 25<sub>2</sub> but is located in an outer circle 25<sub>2</sub>, 25<sub>3</sub>.

Further details regarding the IEEE 802.11 standard are described in Chapter 6 of "Deploying Wireless LANs" *ibid*.

15 *Different transmitters, different transmission power*

In the embodiments hereinbefore described, the wireless LAN 1 is configured such that each access point 3<sub>1</sub>, 3<sub>2</sub>, 3<sub>3</sub>, 3<sub>4</sub>, 3<sub>5</sub> multiplexes transmission power between a relatively high power for delivering service and relatively low power for locating the mobile unit 4.

20 Referring to Figure 11, the wireless LAN 1 may be alternatively configured such that it comprises a first set of access points, for example access points 3<sub>1</sub>, 3<sub>2</sub>, 3<sub>3</sub>, 3<sub>4</sub>, which transmit at relative high transmission power, such as 20 dBm (100 mW), and a second set of access points, for example access point 3<sub>5</sub>, which transmit at relatively low transmission power, for  
25 instance 0 dBm (1 mW). The relatively high transmission power may be a range of relatively high transmission powers, preferably greater than 0 dBm (1 mW).

The wireless LAN 1 is arranged such that each of the access points in the second set lies within coverage of at least one access point of the first set.  
30 For clarity, regions of coverage provided by third and fifth access points 3<sub>3</sub>, 3<sub>5</sub> are shown. Thus, in the alternative configuration, the first set of access points can deliver service to the mobile unit 4, while the second set of access points

may be used for location. For example, the mobile unit 4 may be connected to, and provided with service by, the third access point 3<sub>3</sub>, while passively scanning for third access point 3<sub>5</sub>. If the mobile unit 4 receives a signal from the third access point 3<sub>5</sub>, it may use the signal for location in the manner  
5 described earlier.

The alternative arrangement has several advantages. It is simple to implement, thus reducing cost and complexity. It reduces latency and increases quality of service.

10 In the embodiments described earlier, location is performed using the access points 3<sub>1</sub>, 3<sub>2</sub>, 3<sub>3</sub>, 3<sub>4</sub>, 3<sub>5</sub> as transmitters and the mobile unit 4 as a receiver. However, the earlier embodiments may be modified such that the role of the access points 3<sub>1</sub>, 3<sub>2</sub>, 3<sub>3</sub>, 3<sub>4</sub>, 3<sub>5</sub> as transmitter and the role of the mobile unit 4 as receiver are reversed. In other words, the mobile unit 4 may  
15 be configured to transmit a signal at a low transmission power, for example 0 dBm (1 mW), while the access points 3<sub>1</sub>, 3<sub>2</sub>, 3<sub>3</sub>, 3<sub>4</sub>, 3<sub>5</sub> are configured to set a high signal power detection threshold. Thus, if an access point 3<sub>1</sub>, 3<sub>2</sub>, 3<sub>3</sub>, 3<sub>4</sub>, 3<sub>5</sub> detects the signal transmitted at the low power by the mobile unit 4, the access point is able to locate the mobile unit 4 accurately. Optionally, it may  
20 share location information with the mobile unit 4.

In another modification, the access point 3<sub>1</sub>, 3<sub>2</sub>, 3<sub>3</sub>, 3<sub>4</sub>, 3<sub>5</sub> may be used as transmitters transmitting at a high transmission power for delivering service, while the mobile unit 4 may be used as a transmitter transmitting at low transmission power for location.

25 From reading the present disclosure, other variations and modifications will be apparent to persons skilled in the art. Such variations and modifications may involve equivalent and other features which are already known in the design, manufacture and use of systems for locating mobile units and  
30 component parts thereof and which may be used instead of or in addition to features already described herein. For example, an ad-hoc local area network or a plurality of devices conforming to Bluetooth™ specifications may be used

instead of the wireless LAN 1 and mobile unit 4. The mobile unit 4 may be a personal data assistant (PDA) or a cellular telephone handset.

Although Claims have been formulated in this Application to particular combinations of features, it should be understood that the scope of the disclosure of the present invention also includes any novel features or any novel combination of features disclosed herein either explicitly or implicitly or any generalisation thereof, whether or not it relates to the same invention as presently claimed in any Claim and whether or not it mitigates any or all of the same technical problems as does the present invention. The Applicants hereby give notice that new Claims may be formulated to such features and/or combinations of such features during the prosecution of the present Application or of any further Application derived therefrom.

## CLAIMS

1. A system for locating a mobile unit (4) including:  
5 means (3<sub>1</sub>, 3<sub>2</sub>, 3<sub>3</sub>, 3<sub>4</sub>, 3<sub>5</sub>) for transmitting a first signal (24<sub>1</sub>) at a relatively high power (P<sub>1</sub>);  
means (3<sub>1</sub>, 3<sub>2</sub>, 3<sub>3</sub>, 3<sub>4</sub>, 3<sub>5</sub>) for transmitting a second signal (24<sub>2</sub>) at a predetermined, relatively low power (P<sub>1</sub>);  
means (4) for receiving said first signal;  
10 means (4) for determining a first signal strength of said first signal at said means for receiving said first signal;  
means (4) for determining whether said first signal strength exceeds a relatively low threshold level (P<sub>A</sub>) so as to determine whether service may be provided;  
15 means (4) for receiving said second signal;  
means (4) for determining a second signal strength of said second received at received at said means for receiving said second signal;  
means (4) for determining whether said second signal strength exceeds a relatively high threshold level (P<sub>B</sub>) so as to locate the mobile unit within a  
20 known distance (R) of said means for transmitting said second signal.
2. A system according to Claim 1, wherein said relatively high power (P<sub>1</sub>) is at least 0 dBm.
- 25 3. A system according to Claim 1 or 2, wherein said relatively high power (P<sub>1</sub>) is at least 6 dBm, 13 dBm or 20 dBm.
4. A system according to any preceding Claim, said relatively low power (P<sub>2</sub>) is no more than 0 dBm.
- 30 5. A system according to any preceding Claim, wherein said relatively low threshold level (P<sub>A</sub>) is no more than -85 dBm.

6. A system according to any preceding Claim, wherein said relatively high threshold level ( $P_A$ ) is no less than  $-65$  dBm.

5 7. A system according to any preceding claim, wherein said means ( $3_1, 3_2, 3_3, 3_4, 3_5$ ) for transmitting said first and second signals transmit said first and second signals ( $24_1, 24_2$ ) at different times.

8. A system according to any preceding Claim, which is a wireless  
10 local area network (1).

9. A system according to Claim 8, wherein said means ( $3_1, 3_2, 3_3, 3_4, 3_5$ ) for transmitting said first signal ( $24_1$ ) is an access point.

15 10. A system according to Claim 8 or 9, wherein said means ( $3_1, 3_2, 3_3, 3_4, 3_5$ ) for transmitting said second signal ( $24_2$ ) is an access point.

11. A system according to any one of Claims 8 to 10, wherein said means (4) for receiving said first signal ( $24_1$ ) is a mobile unit.

20

12. A system according to any one of Claims 8 to 11, wherein said means (4) for receiving said second signal ( $24_2$ ) is a mobile unit.

13. A system according to Claim 8, wherein said means (4) for  
25 transmitting said first signal ( $24_1$ ) is a mobile unit.

14. A system according to Claim 8 or 13, wherein said means (4) for transmitting said second signal ( $24_2$ ) is a mobile unit.

30 15. A system according to any one of Claims 8, 13 or 14, wherein said means ( $3_1, 3_2, 3_3, 3_4, 3_5$ ) for receiving said first signal ( $24_1$ ) is an access point.

16. A system according to any one of Claim 8, 13, 14 or 15, wherein said means (3<sub>1</sub>, 3<sub>2</sub>, 3<sub>3</sub>, 3<sub>4</sub>, 3<sub>5</sub>) for receiving said second signal (24<sub>2</sub>) is an access point.

5

17. A system substantially as hereinbefore described with reference to Figures 1 to 7 of the accompanying drawings.

18. A system for locating a mobile unit (4) including:

10 a first transmitter (9, 10) for transmitting a first signal (24<sub>1</sub>) at a relatively high power (P<sub>1</sub>);

a second transmitter (9, 10) for transmitting a second signal (24<sub>2</sub>) at a predetermined, relatively low power (P<sub>2</sub>);

a first receiver (18) for receiving said first signal;

15 a first detector (17, 16) for determining a first signal strength of said first signal at said first receiver;

a first controller (19) for determining whether said first signal strength exceeds a relatively low threshold level so as to determine whether service may be provided;

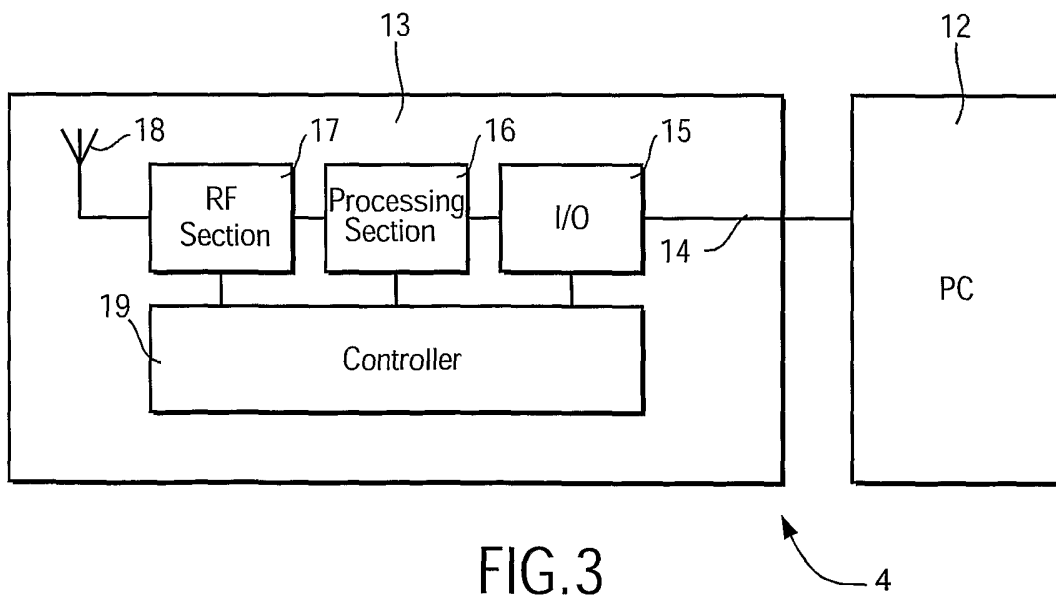
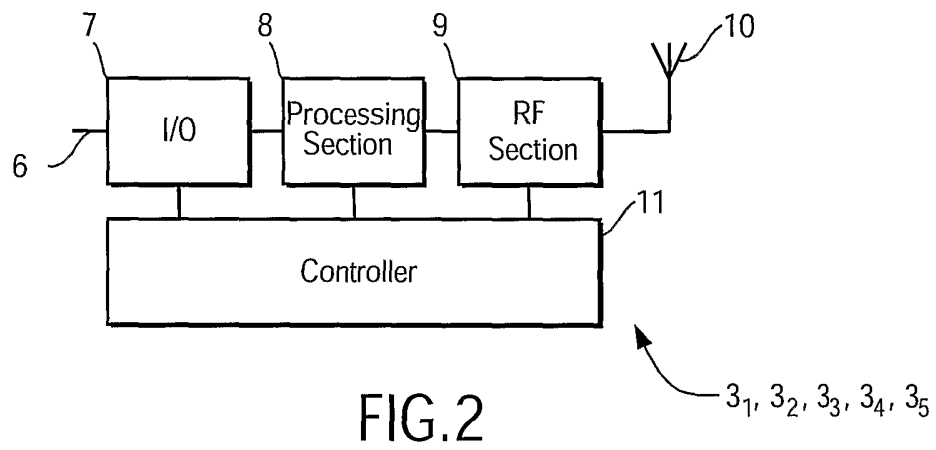
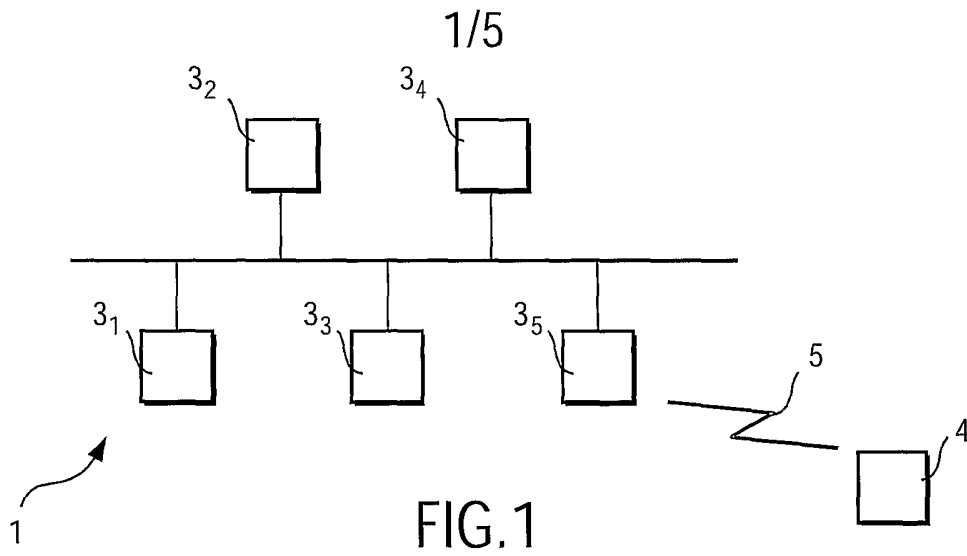
20 a second receiver (18) for receiving said second signal;

a second detector (17, 16) for determining a second signal strength of said second signal at said second receiver;

a second controller (19) for determining whether said second signal strength exceeds a relatively high threshold level so as to locate the mobile

25 unit within a known distance of said means for transmitting said second signal.

19. An access point (3<sub>1</sub>, 3<sub>2</sub>, 3<sub>3</sub>, 3<sub>4</sub>, 3<sub>5</sub>) configured for use in the system according to any preceding Claim.



2/5

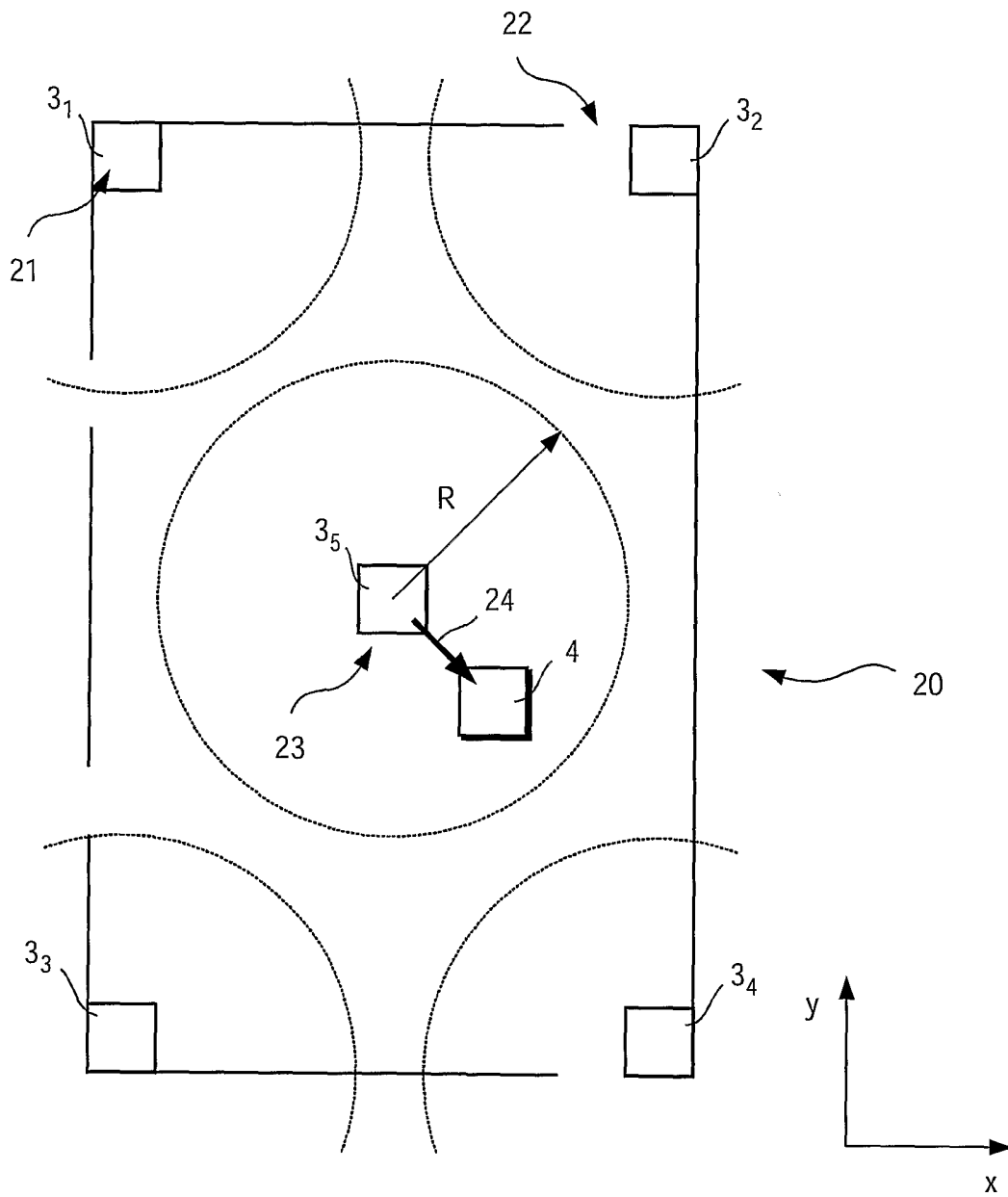


FIG.4

3/5

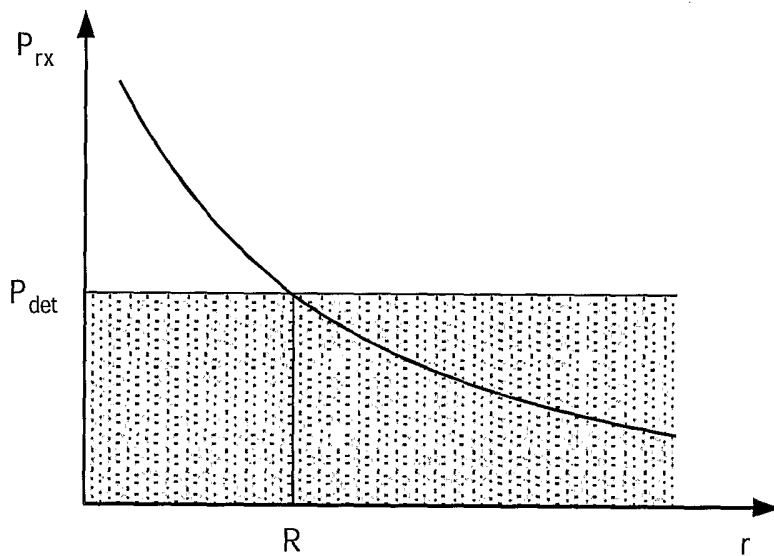


FIG.5

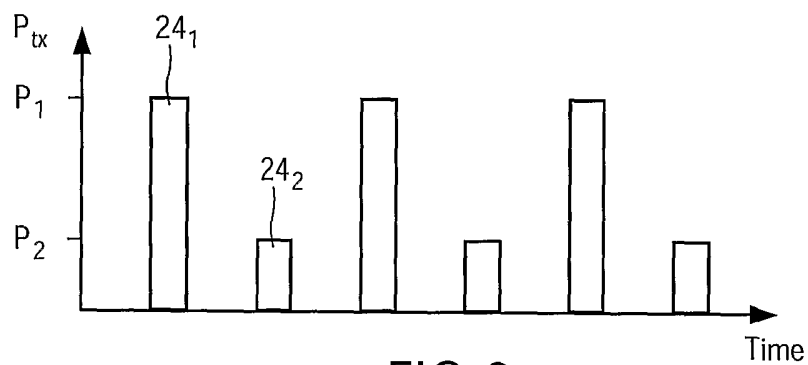


FIG.6

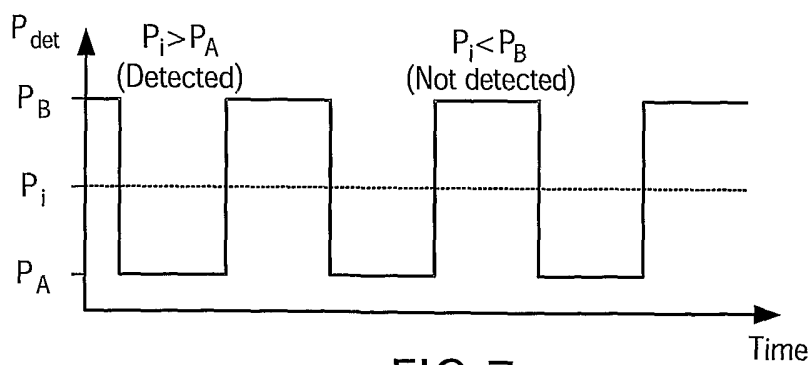


FIG.7

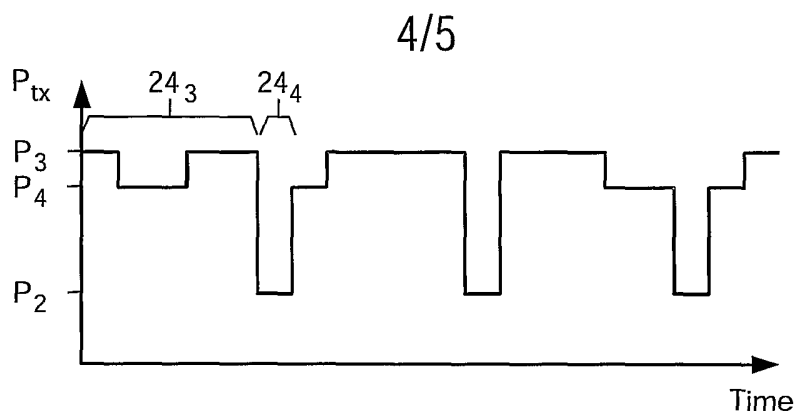


FIG.8

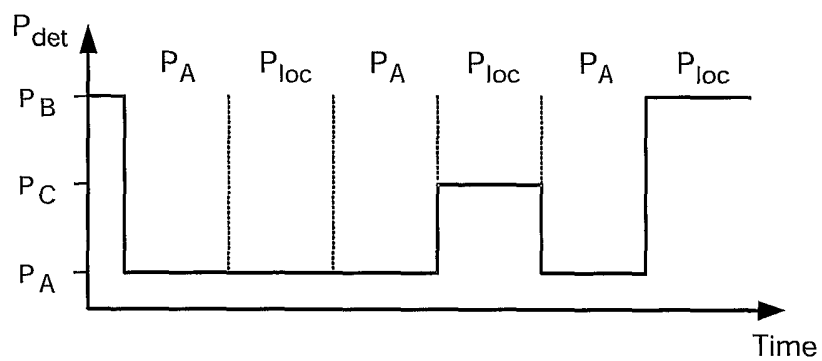


FIG.9

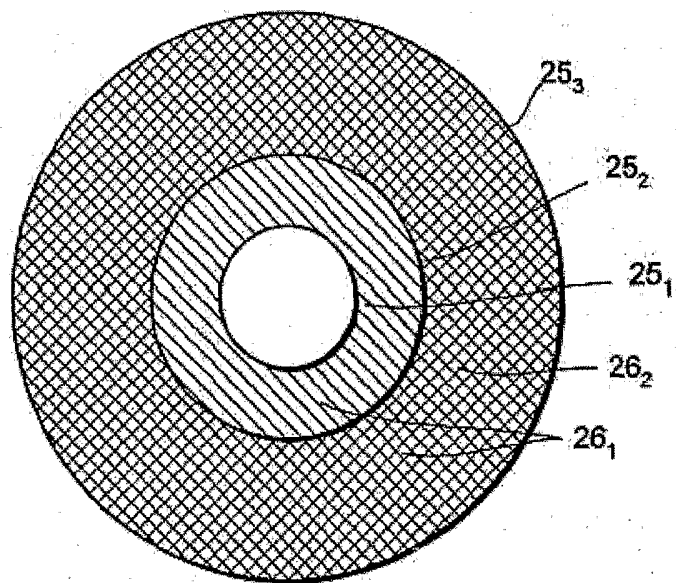


FIG.10

5/5

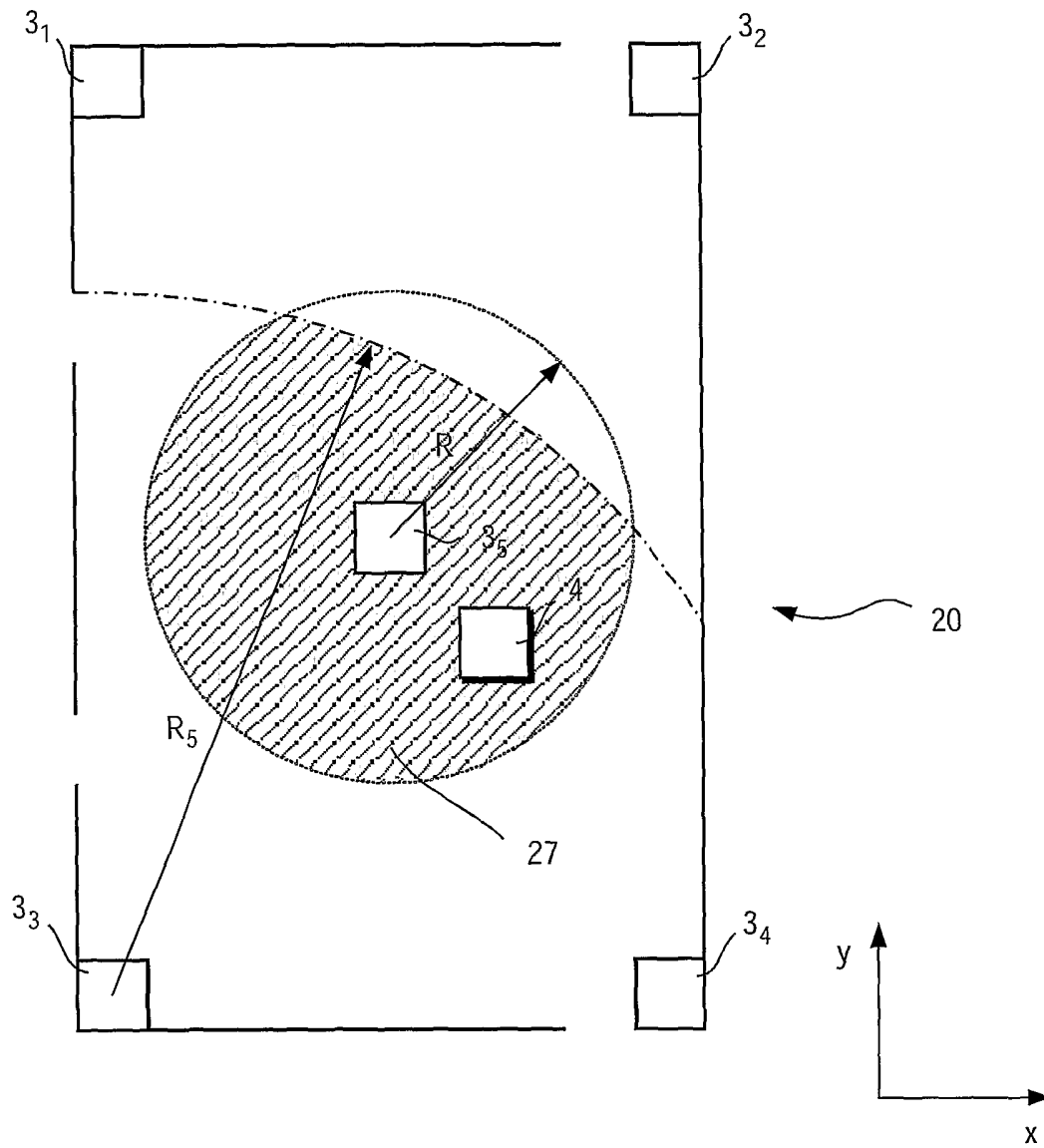


FIG.11

## INTERNATIONAL SEARCH REPORT

PCT/IB 03/03222

A. CLASSIFICATION OF SUBJECT MATTER  
 IPC 7 H04Q7/38 H04L12/56

According to International Patent Classification (IPC) or to both national classification and IPC

## B. FIELDS SEARCHED

Minimum documentation searched (classification system followed by classification symbols)  
 IPC 7 H04Q H04L

Documentation searched other than minimum documentation to the extent that such documents are included in the fields searched

Electronic data base consulted during the international search (name of data base and, where practical, search terms used)

EPO-Internal

## C. DOCUMENTS CONSIDERED TO BE RELEVANT

Category °	Citation of document, with indication, where appropriate, of the relevant passages	Relevant to claim No.
X A	WO 00 38460 A (KONINKL PHILIPS ELECTRONICS NV) 29 June 2000 (2000-06-29) abstract page 6, line 26 -page 12, line 12 figure 1	1,7-16, 18,19 2-7
A	US 5 850 609 A (DUPLESSIS PHILLIPPE ET AL) 15 December 1998 (1998-12-15) abstract column 1, line 59 -column 2, line 32 column 2, line 56 -column 3, line 43 figure 1	1,18

Further documents are listed in the continuation of box C.

Patent family members are listed in annex.

° Special categories of cited documents:

\*A\* document defining the general state of the art which is not considered to be of particular relevance

\*E\* earlier document but published on or after the international filing date

\*L\* document which may throw doubts on priority claim(s) or which is cited to establish the publication date of another citation or other special reason (as specified)

\*O\* document referring to an oral disclosure, use, exhibition or other means

\*P\* document published prior to the international filing date but later than the priority date claimed

\*T\* later document published after the international filing date or priority date and not in conflict with the application but cited to understand the principle or theory underlying the invention

\*X\* document of particular relevance; the claimed invention cannot be considered novel or cannot be considered to involve an inventive step when the document is taken alone

\*Y\* document of particular relevance; the claimed invention cannot be considered to involve an inventive step when the document is combined with one or more other such documents, such combination being obvious to a person skilled in the art.

\* & \* document member of the same patent family

Date of the actual completion of the international search

29 September 2003

Date of mailing of the international search report

13/11/2003

Name and mailing address of the ISA

European Patent Office, P.B. 5818 Patentlaan 2  
 NL - 2280 HV Rijswijk  
 Tel. (+31-70) 340-2040, Tx. 31 651 epo nl,  
 Fax: (+31-70) 340-3016

Authorized officer

Rabe, M

## INTERNATIONAL SEARCH REPORT

PCT/IB 03/03222

C.(Continuation) DOCUMENTS CONSIDERED TO BE RELEVANT		
Category °	Citation of document, with indication, where appropriate, of the relevant passages	Relevant to claim No.
A	EP 1 091 611 A (MATSUSHITA ELECTRIC IND CO LTD) 11 April 2001 (2001-04-11) abstract paragraph '0005! - paragraph '0006! paragraph '0018! - paragraph '0023! figure 1 -----	1,18
A	EP 1 139 681 A (HEWLETT PACKARD CO) 4 October 2001 (2001-10-04) column 3, line 18 -column 4, line 57 -----	1,18
A	EP 0 930 514 A (LOCUS CORP) 21 July 1999 (1999-07-21) abstract paragraph '0015! - paragraph '0020! figure 1 -----	1,18,19

**Box I Observations where certain claims were found unsearchable (Continuation of item 1 of first sheet)**

This International Search Report has not been established in respect of certain claims under Article 17(2)(a) for the following reasons:

1.  Claims Nos.:  
because they relate to subject matter not required to be searched by this Authority, namely:
  
2.  Claims Nos.: 17  
because they relate to parts of the International Application that do not comply with the prescribed requirements to such an extent that no meaningful International Search can be carried out, specifically:  
see FURTHER INFORMATION sheet PCT/ISA/210
  
3.  Claims Nos.:  
because they are dependent claims and are not drafted in accordance with the second and third sentences of Rule 6.4(a).

**Box II Observations where unity of invention is lacking (Continuation of item 2 of first sheet)**

This International Searching Authority found multiple inventions in this international application, as follows:

1.  As all required additional search fees were timely paid by the applicant, this International Search Report covers all searchable claims.
  
2.  As all searchable claims could be searched without effort justifying an additional fee, this Authority did not invite payment of any additional fee.
  
3.  As only some of the required additional search fees were timely paid by the applicant, this International Search Report covers only those claims for which fees were paid, specifically claims Nos.:
  
4.  No required additional search fees were timely paid by the applicant. Consequently, this International Search Report is restricted to the invention first mentioned in the claims; it is covered by claims Nos.:

**Remark on Protest**

- The additional search fees were accompanied by the applicant's protest.
- No protest accompanied the payment of additional search fees.

FURTHER INFORMATION CONTINUED FROM PCT/ISA/ 210

Continuation of Box I.2

Claims Nos.: 17

Independent claim 17 merely contains a reference to the description and drawings.

Said claim therefore does not meet the requirements following from Article 6 PCT taken in combination with Rule 6 (3) (b) PCT that any independent claim must contain all the technical features essential to the invention.

Furthermore, according to Rule 6.2 (a) PCT, references to the description and drawings are allowable only where the reference is absolutely necessary (cf. PCT Gazette, Section IV, S-07/1998, C-III, 4.10). Such is, however, not the case here.

The applicant's attention is drawn to the fact that claims, or parts of claims, relating to inventions in respect of which no international search report has been established need not be the subject of an international preliminary examination (Rule 66.1(e) PCT). The applicant is advised that the EPO policy when acting as an International Preliminary Examining Authority is normally not to carry out a preliminary examination on matter which has not been searched. This is the case irrespective of whether or not the claims are amended following receipt of the search report or during any Chapter II procedure.

## INTERNATIONAL SEARCH REPORT

PCT/IB 03/03222

Patent document cited in search report		Publication date	Patent family member(s)	Publication date
WO 0038460	A	29-06-2000	CN 1297665 T	30-05-2001
			WO 0038460 A1	29-06-2000
			EP 1057360 A1	06-12-2000
			JP 2002533692 T	08-10-2002
US 5850609	A	15-12-1998	FR 2715013 A1	13-07-1995
			AU 686727 B2	12-02-1998
			AU 1458295 A	01-08-1995
			CA 2181057 A1	20-07-1995
			CN 1138937 A ,B	25-12-1996
			DE 69508229 D1	15-04-1999
			DE 69508229 T2	01-07-1999
			EP 0739577 A1	30-10-1996
			WO 9519688 A1	20-07-1995
			SG 45221 A1	16-01-1998
EP 1091611	A	11-04-2001	EP 1091611 A1	11-04-2001
			AU 7543000 A	10-05-2001
			CN 1327700 T	19-12-2001
			WO 0126404 A1	12-04-2001
			JP 2003522448 T	22-07-2003
			US 2002019239 A1	14-02-2002
EP 1139681	A	04-10-2001	EP 1139681 A1	04-10-2001
			JP 2001325175 A	22-11-2001
			US 2002054150 A1	09-05-2002
EP 0930514	A	21-07-1999	JP 11205845 A	30-07-1999
			EP 0930514 A2	21-07-1999
			US 6415155 B1	02-07-2002