

(19) World Intellectual Property  
Organization  
International Bureau



(43) International Publication Date  
22 April 2004 (22.04.2004)

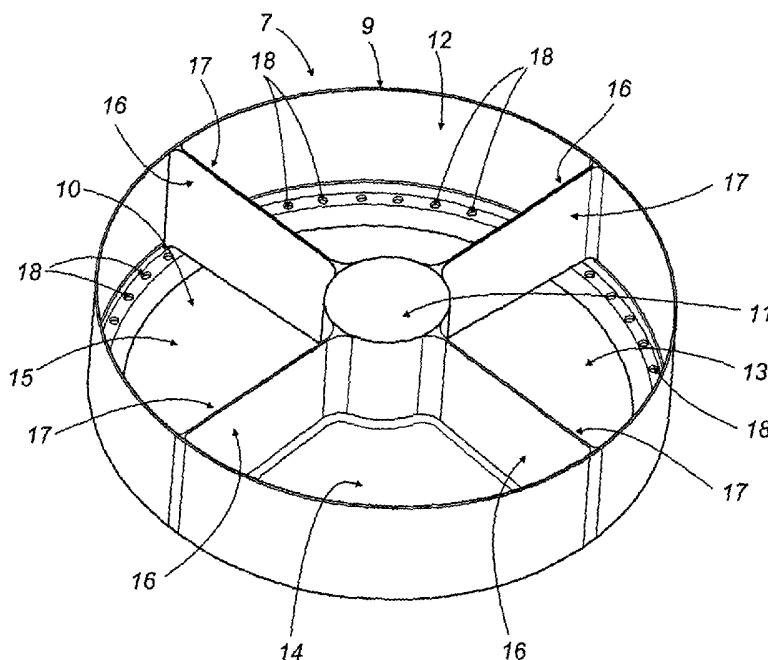
PCT

(10) International Publication Number  
**WO 2004/033300 A1**

- (51) International Patent Classification<sup>7</sup>: **B65B 3/04**,  
B67C 3/02
- (21) International Application Number:  
PCT/IB2003/004397
- (22) International Filing Date: 6 October 2003 (06.10.2003)
- (25) Filing Language: English
- (26) Publication Language: English
- (30) Priority Data:  
BO2002A000633 8 October 2002 (08.10.2002) IT
- (71) Applicant (for all designated States except US):  
**AZIONARIA COSTRUZIONI MACCHINE AUTOMATICHE A.C.M.A** [IT/IT]; Via Cristoforo Colombo, 1,  
I-40131 Bologna (IT).
- (72) Inventors; and
- (75) Inventors/Applicants (for US only): **BONATTI, Davide**  
[IT/IT]; Via G. Benzoni, 39, I-46100 Mantova (IT). **GAL-  
IMBERTI, Enrico** [IT/IT]; Via Monteverdi, 35, I-46047
- Porto Mantovano (IT). **CAVALLARI, Stefano** [IT/IT]; Via  
del Meloncello, 5, I-40135 Bologna (IT).
- (74) Agents: **BIANCIARDI, Ezio** et al.; Bugnion S.p.A., Via  
Goito, 18, I-40133 Bologna (IT).
- (81) Designated States (national): AE, AG, AL, AM, AT, AU,  
AZ, BA, BB, BG, BR, BY, BZ, CA, CH, CN, CO, CR, CU,  
CZ, DE, DK, DM, DZ, EC, EE, ES, FI, GB, GD, GE, GH,  
GM, HR, HU, ID, IL, IN, IS, JP, KE, KG, KP, KR, KZ, LC,  
LK, LR, LS, LT, LU, LV, MA, MD, MG, MK, MN, MW,  
MX, MZ, NI, NO, NZ, OM, PG, PH, PL, PT, RO, RU, SC,  
SD, SE, SG, SK, SL, SY, TJ, TM, TN, TR, TT, TZ, UA,  
UG, US, UZ, VC, VN, YU, ZA, ZM, ZW.
- (84) Designated States (regional): ARIPO patent (GH, GM,  
KE, LS, MW, MZ, SD, SL, SZ, TZ, UG, ZM, ZW),  
Eurasian patent (AM, AZ, BY, KG, KZ, MD, RU, TJ, TM),  
European patent (AT, BE, BG, CH, CY, CZ, DE, DK, EE,  
ES, FI, FR, GB, GR, HU, IE, IT, LU, MC, NL, PT, RO,  
SE, SI, SK, TR), OAPI patent (BF, BJ, CF, CG, CI, CM,  
GA, GN, GQ, GW, ML, MR, NE, SN, TD, TG).
- Published:  
— with international search report

[Continued on next page]

(54) Title: A METHOD AND A MACHINE FOR DISPENSING FLUID SUBSTANCES INTO CONTAINERS



(57) Abstract: In a machine (1) for filling containers with fluid products, different fluid substances are directed by means of rotary valve assembly (19) into a tank (7) furnished with separate compartments (12, 13, 14, 15), isolated one from another and equipped each with at least one filler valve (8) by which a given quantity of one of the fluid substances is dispensed from the tank (7) into each container.

WO 2004/033300 A1



---

*For two-letter codes and other abbreviations, refer to the "Guidance Notes on Codes and Abbreviations" appearing at the beginning of each regular issue of the PCT Gazette.*

DescriptionA method and a machine for dispensing fluid  
substances into containersTechnical Field

The present invention relates to a method of dispensing fluid substances into containers.

The invention finds application to advantage in the art field of machines for filling containers both  
5 with liquid substances and with viscous substances. o

Background Art

Filling machines of the type referred to above appear substantially as a tank supported by a main carousel and holding a supply of the fluid substance; the carousel is rotatable about a vertical axis  
10 tangentially to a first transfer station by way of which it receives a succession of containers each affording a filler mouth.

The tank is rigidly associated with the carousel and affords a plurality of filler valves at the  
15 bottom, each of which can be associated with the mouth of a respective container in such a way that when the carousel is set in motion, the tank rotates about the vertical axis and its contents are dispensed by way of the filler valves into the  
20 containers, whereupon the filled containers are directed by way of a second transfer station onto an

outfeed conveyor and thence to a further unit used in the manufacturing cycle, for example a capper or a labeller.

5 The solution of mounting the tank on top of the carousel as outlined above is advantageous in that it gives the equipment a compact geometry and manageable dimensions, but presents certain drawbacks strongly limiting versatility of use.

10 A first drawback consists in the fact that only one type of material can be dispensed into the containers, which excludes the possibility of using a single carousel to fill different containers with different substances in a single production run.

15 A further drawback derives from the difficulty encountered in cleaning the filler valves, which is a particularly important operation in the case of perishable materials such as foodstuffs. In effect, the valves and their delivery systems can be flushed clean only after the tank has been emptied completely and the production cycle terminated.

20 The object of the present invention is to provide a method of dispensing fluid substances into containers that will be unaffected by the drawbacks mentioned above in referring to the prior art.

#### Disclosure of the Invention

25 The stated object is realized a method as recited and characterized in claim 1 appended.

The present invention relates also to a machine for dispensing fluid substances into containers.

The stated object is realized likewise in a machine as recited and characterized in claim 4 appended.

The invention will now be described in detail, by way of example, with the aid of the accompanying drawings, in which:

- 5 -figure 1 illustrates a preferred embodiment of a filling machine equipped with a tank according to the present invention for dispensing fluid substances into containers, viewed schematically in elevation;
- 10 -figure 2 shows the filling machine of figure 1, viewed schematically in plan from above;
- figure 3 is a detail of the machine illustrated in figures 1 and 2, viewed in elevation;
- figure 4 is a detail of the machine illustrated in figure 1, viewed in perspective from above;
- 15 -figure 5 is a detail of figure 3, viewed from above.

Referring to figure 1 of the drawings, 1 denotes a portion, in its entirety, of a filling machine by which fluid substances 2 are dispensed into containers (not illustrated).

As illustrated in figures 1 and 2, the machine 1 comprises a main carousel 2 rotatable about a vertical axis A, turning clockwise as seen in fig 2 tangentially to a first transfer station 3 through which containers are supplied to the carousel singly and in succession by a rotary infeed conveyor 4. The infeed conveyor 4 rotates anticlockwise as seen in fig 2 about a vertical axis B parallel to the axis A first mentioned, turning tangentially to a first infeed station 5 at which it receives a succession of

containers proceeding along a first predetermined path P1 afforded by a horizontal infeed channel 6.

The carousel 2 is disposed and embodied in such a way as to support the containers (not illustrated) and serves also to carry a tank 7, rigidly associated  
5 with the carousel 2 as it rotates about the axis A.

Referring to figure 3, the tank 7 is furnished with a plurality of filler valves 8 spaced apart uniformly around the vertical axis A of rotation, of which one  
10 only is illustrated. The valves 8 are conventional in embodiment, and therefore not described further in the present specification either in respect of their structure or in respect of their operation.

As discernible in figure 4, the tank 7 presents a  
15 substantially circular appearance, with a cylindrical side wall 9, a bottom 10 and a central opening 11, and comprises four compartments denoted 12, 13, 14 and 15, respectively, separated by four radial baffles 16 serving to establish four respective fluid  
20 tight partitions 17 between the four compartments 12, 13, 14 and 15.

Also illustrated in figure 4 is a plurality of holes 18 arranged around the periphery of the tank 7 and serving to connect the supply of fluid in the  
25 compartments 12, 13, 14 and 15 with four respective sets of filler valves 8 not indicated in the drawing.

Figure 3 illustrates a rotary valve assembly 19, mounted above the tank 7, in alignment with the central opening 11, by which different fluid  
30 substances are supplied selectively to the different

compartments 12, 13, 14 and 15.

The rotary valve assembly 19 comprises an external portion 20 that remains fixed relative to the angular movement of the tank about the vertical axis A, and an internal portion 21 that rotates as one with the carousel 2 and the tank 7 about the selfsame axis.

The fixed portion 20 presents a plurality of inlet ports 22 admitting the aforementioned different fluid substances from respective separate sources indicated schematically in the drawings by four respective blocks denoted 23, 24, 25 and 26, and a further inlet port 27 admitting pressurized air from a respective source indicated schematically by a further relative block denoted 27a. The four fluid inlet ports 22 and the air inlet port 27 are positioned on the fixed portion 20 at respective different heights relative to the vertical axis A of rotation.

As discernible similarly in figure 5, the rotating internal portion 21 of the valve assembly 19 affords four fluid outlet ports 28 equispaced angularly about the axis A of rotation, and four valve elements 29 delivering the pressurized air admitted through the inlet port 27, equispaced angularly likewise about the axis A of rotation and offset from the fluid outlet ports 28.

Still referring to figure 3, the fixed external portion 20 of the valve assembly presents a plurality of annular channels 30 coinciding and communicating respectively with the fluid inlet ports 22, whilst the rotating internal portion 21 presents a set of

vertical channels 31 extending substantially parallel to the axis A of rotation and coinciding respectively with the fluid outlet ports 28.

Each annular channel 30 is in fluid communication with a respective vertical channel 31, in such a way that each fluid inlet port 22 can be connected with a respective fluid outlet port 28, both during the rotation of the tank 7 about the axis A and whenever the tank 7 is stationary.

The rotary valve assembly 19 also comprises a central duct 32 through which to direct a flushing liquid into the tank 7.

The central duct 32 is in receipt of liquid from a source indicated schematically by a block denoted 33. From the bottom end of the duct 32, the liquid flows to four discharge outlets 34 associated rigidly with the rotating internal portion 21 and equispaced angularly about the axis A of rotation, substantially in alignment with and below the aforementioned fluid outlet ports 28.

Connected to each of the fluid outlets 28 is a respective pipeline 35 serving to replenish a relative compartment 12, 13, 14 and 15 of the tank 7. In the interests of simplicity, just one of the four pipelines 35 is shown in figure 3. The replenishing pipeline 35 presents a first horizontal portion 35a projecting substantially in a radial direction from the axis A, and a second vertical portion 35b that terminates in close proximity to the bottom 10 of the tank 7.

Similarly, connected to each liquid outlet 34 is a respective pipeline 36 serving to flush a relative compartment 12, 13, 14 and 15 of the tank 7. In the interests of simplicity, just one of the four pipelines 36 is shown in figure 3. The flushing pipeline 36 presents one end 36a located internally of the respective compartment 12, 13, 14 and 15 and carrying a nozzle 37 from which the flushing liquid is directed into the tank 7.

Both the replenishing pipelines 35 and the flushing pipelines 36 are supported by respective mounting elements 38.

The mounting elements 38 associated with the four compartments 12, 13, 14 and 15 carry respective sensors 39 of conventional type serving to monitor the quantity and the chemical and physical properties of the fluid substances contained in the selfsame compartments 12, 13, 14 and 15.

The bottom 10 of the tank 7 affords a plurality of openings not shown in the drawings, associated with each of the compartments 12, 13, 14 and 15, by way of which the fluid substances and the flushing liquids can be drained from the selfsame compartments 12, 13, 14 and 15.

As illustrated in figures 1 and 2, the machine 1 comprises a station 40 at which containers filled with the fluid substances are capped. The capping station 40, being conventional in embodiment, is neither illustrated nor described further in the present specification. The caps, not illustrated, are

supplied to the station 40 by a feed unit 41 also of conventional type.

The machine 1 is also equipped with a station 42 at which the filled and capped containers are labelled, comprising four labelling units 43, 44, 45 and 46 of conventional type, neither illustrated in detail nor described further. The four units 43, 44, 45 and 46 are positioned facing the periphery of a transfer carousel 47, likewise of conventional type and indicated schematically in figure 2 by a circular phantom line, on which the containers are advanced during the labelling operation.

Still in figure 2, the machine 1 comprises a master controller 48 by which the various filling, capping and labelling operations are supervised.

The sources 23, 24, 25 and 26 of fluid, the rotary valve assembly 19 and the replenishing pipelines 35 together constitute feed means 49 by which the fluid substances are supplied to the tank 7.

In operation, according to prior art practice and as illustrated in figure 2, containers (not shown) conveyed by way of the infeed channel 6 along the first path P1 and into the first transfer station 3 are taken up by the rotary infeed conveyor 4 and directed onto the main carousel 2.

The containers are held in position on the main carousel 2 by means of respective gripper elements not illustrated in the drawings, and carried thus along a predetermined circular conveying and filling path P2 extending around the axis A of rotation.

As the tank 7 rotates about the axis A, each filler valve 8 will draw into alignment with the mouth of a relative container carried by the carousel 2 and dispense a given quantity of the fluid substance from the tank 7 into the container.

With the carousel 2 and tank 7 rotating together as one, each container in turn is filled with the fluid substance from the tank 7 in conventional manner.

As illustrated in figure 4, the tank 7 is divided into four compartments 12, 13, 14 and 15, each one of which containing a different fluid substance.

Referring to figure 3, four different fluid substances flow from the respective sources 23, 24, 26 and 26 to the inlet ports 22 on the fixed external portion 20 of the valve assembly 19. The fluid substance entering through each port 22 occupies the corresponding annular channel 30, from where it can pass into a respective vertical channel 31 of the rotating internal portion 21 even when this component is set in rotation as a result of the tank 7, with which the internal portion 21 is rigidly associated, being caused to rotate about the vertical axis A.

The fluid substance passes down the vertical channel 31 to the relative outlet port 28, thence along the replenishing pipeline 35 and into the designated compartment 12, 13, 14 and 15.

In other words, as the tank 7 rotates, each of the compartments 12, 13, 14 and 15 into which it is divided can be supplied with a corresponding selected fluid substance.

The containers, directed singly and in succession onto the carousel 2, will be ordered in rows of predetermined number corresponding to the number of filler valves 8 serving each compartment 12, 13, 14 and 15, and aligned with the valves accordingly.

Thus, in the course of each complete revolution made by the tank 7 about the axis A, four groups of containers will be filled with fluid substances of different kinds, or rather, each group is filled with the fluid substance contained in the compartment 12, 13, 14 or 15 beneath which the containers of this same group are positioned.

After the filling step, the filled containers are released by the respective gripper elements of the carousel 2 and advanced by way of a second transfer station 50 to the capping station 40. Once capped, by methods of conventional type not described further, the containers will be directed along a rectilinear path P3 toward a third transfer station 51 serving the labelling station 42.

To reiterate, the labelling station 42 comprises a carousel 47 onto which the containers are directed from the transfer station 51 by conventional methods not described in the present specification.

The filled and capped containers are advanced by the carousel 47 around a circular path P4 along which the aforementioned labelling units 43, 44, 45 and 46 are stationed.

The master controller 48 pilots the operation of the carousel 42 and the labelling units 43, 44, 45

and 46 in such a way that these will apply different labels selectively to the containers advancing along the circular path P4, according to the type of fluid substance dispensed into each one.

5 In other words, containers of a given group that have all been filled with the same fluid substance from one of the compartments 12, 13, 14 or 15 will advance on the carousel 42 until in alignment with the particular unit 43, 44, 45 or 46 programmed to  
10 apply labels corresponding to and/or identifying the fluid substance effectively batched into the single containers of the group in question.

To advantage, the units 43, 44, 45 and 46 are arranged along the path P4 with the different labels  
15 ordered in the same sequence as the corresponding fluid products in the compartments 12, 13, 14 and 15 of the tank 7.

Employing the method disclosed, accordingly, it becomes possible to fill containers with different  
20 substances substantially at once, during the same production run of the filling machine, and therefore without having to suspend operations or carry out time-consuming and laborious cleaning procedures.

Likewise advantageously, a machine embodied in  
25 accordance with the present invention will allow one or more compartments to be flushed clean without interrupting the operation of filling containers from the remaining compartments, so that the production run can continue just the same, albeit with reduced  
30 output.

In an alternative embodiment of the invention not illustrated in the drawings, the filling machine 1 could comprise a capping or sealing station equipped with four different units by which containers filled with different fluid substances are fitted with different types of closures, according to the particular substance dispensed from the tank into the individual container.

In another alternative embodiment of the invention likewise not illustrated in the drawings, different containers are directed onto the carousel and beneath the tank 7, each furnished with elements identifying one of the different fluid substances with which it must be filled. The controller will be programmed to ensure that each container is positioned correctly under a given filler valve, so that it can be filled with the particular fluid substance designated by the identifying elements.

Claims

1) A method of dispensing fluid substances into containers, characterized in that it comprises the steps of directing a plurality of different fluid substances into a tank (7) affording respective  
5 different compartments (12, 13, 14, 15) isolated one from another and equipped each with at least one filler valve (8); replenishing the compartments (12, 13, 14, 15) of the tank (7) at least in part; and  
10 dispensing a quantity of the fluid substance from a selected compartment (12, 13, 14, 15) of the tank (7) into a selected container by way of the at least one filler valve (8).

2) A method as in claim 1, comprising the steps of directing containers filled with the fluid substance  
15 to a station (42) at which the selfsame containers are labelled, and applying different labels to the containers according to the particular fluid substance dispensed into each one.

3) A method as in claim 1, comprising the steps of directing containers filled with the fluid substance  
20 to a station at which the selfsame containers are closed, and applying different closures to the containers according to the particular fluid substance dispensed into each one.

4) A machine for dispensing fluid substances into containers, comprising a tank (7), feed means (49) by which to supply fluid substances to the tank (7), and a plurality of filler valves (8) positioned beneath  
5 the tank (7) such as can be associated singly with the containers, characterized in that the tank (7) comprises a plurality of different compartments (12, 13, 14, 15) isolated one from another and connecting each with at least one of the filler valves (8), and  
10 in that the compartments (12, 13, 14, 15) are replenishable with respective different fluid substances.

5) A machine as in claim 4, wherein the tank (7) is of substantially circular appearance and comprises a  
15 plurality of radial baffles (16) by which the selfsame tank (7) is divided into a corresponding plurality of internal compartments (12, 13, 14, 15).

6) A machine as in claim 4 or claim 5, wherein the tank (7) is rotatable about a respective axis (A) of  
20 rotation, and the feed means (49) comprise a valve assembly (19) by which fluid substances are directed selectively to the different compartments (12, 13, 14, 15) of the tank (7).

7) A machine as in claim 6, wherein the valve  
25 assembly (19) comprises a fixed portion (20) presenting a plurality of inlet ports (22) admitting fluid substances received from respective sources

(23, 24, 25, 26), and a moving portion (21), rotatable as one with the tank (7) about the relative axis (A), presenting a plurality of outlet ports (28) from which the fluid substances are directed to the  
5 respective compartments (12, 13, 14, 15) of the tank (7).

8) A machine as in claim 7, wherein the inlet ports (22) are positioned on the fixed portion (20) of the valve assembly (19) at different heights relative to  
10 the axis (A) of rotation, and the outlet ports (28) are connected to the rotating portion (21) occupying positions spaced apart angularly about the selfsame axis (A).

9) A machine as in claims 4 to 8, comprising a  
15 container labelling station (42) at which different labels are applied to the containers according to the particular fluid substance dispensed from the tank (7) into each one of the selfsame containers.

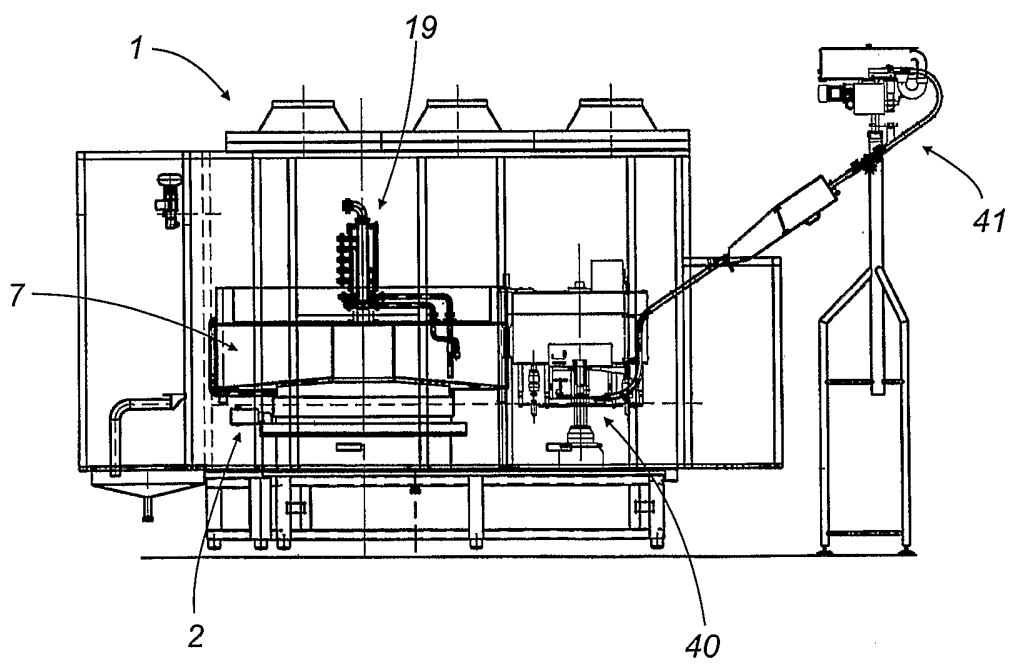
10) A machine as in claim 9, wherein the labelling  
20 station (42) comprises a plurality of labelling units (43, 44, 45, 46), corresponding in number at least to the number of the compartments (12, 13, 14, 15).

11) A machine as in claims 4 to 8, comprising a  
25 container closing station at which different closures are applied to the containers according to the

particular fluid substance dispensed from the tank  
(7) into each one of the selfsame containers.

1/5

FIG. 1



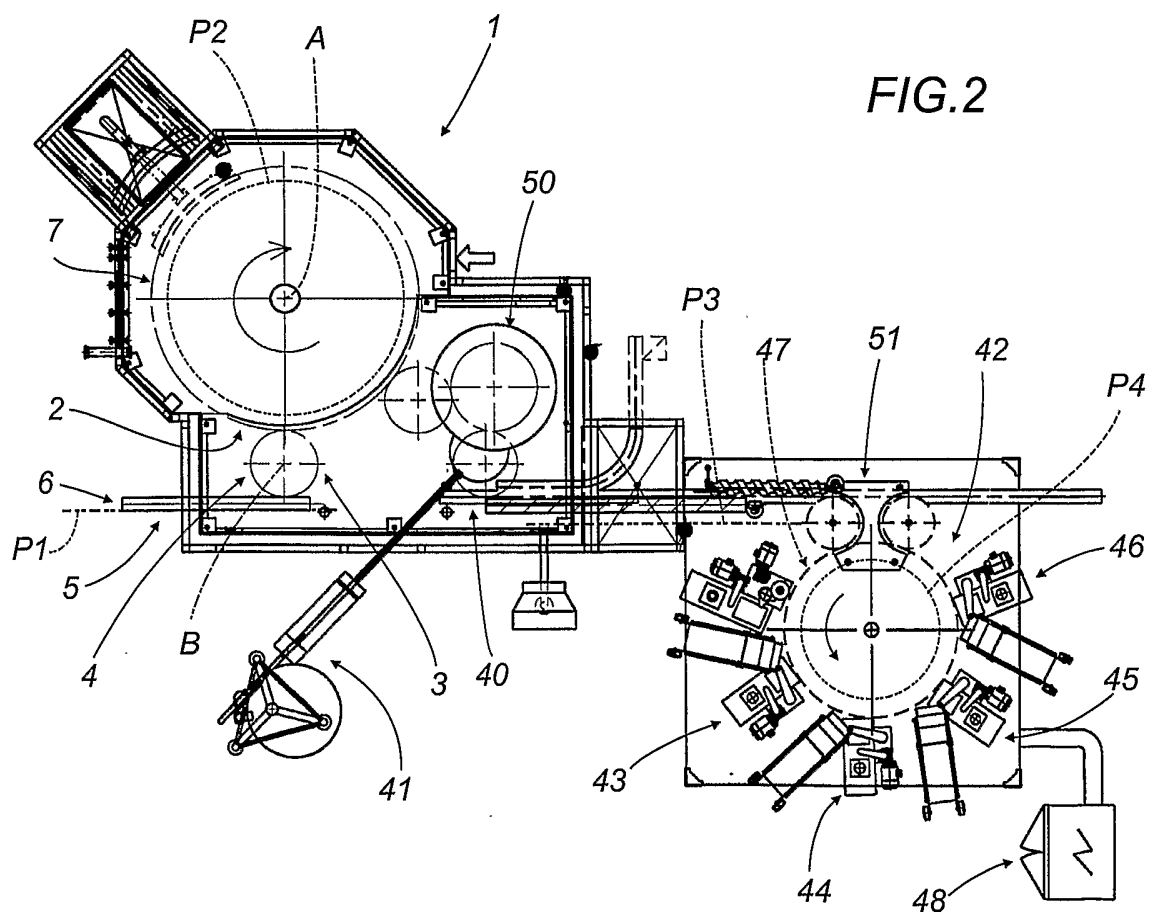


FIG. 2

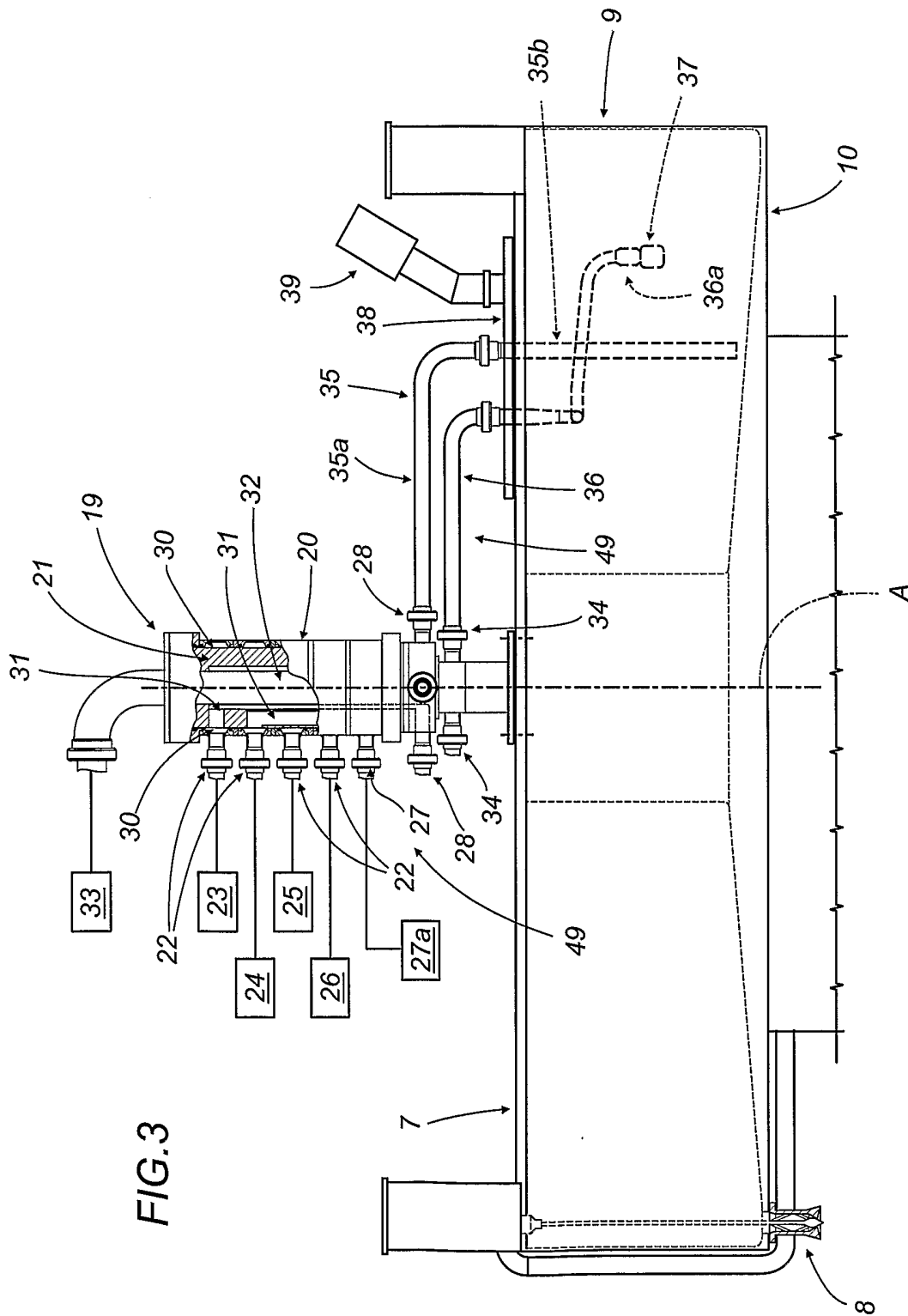
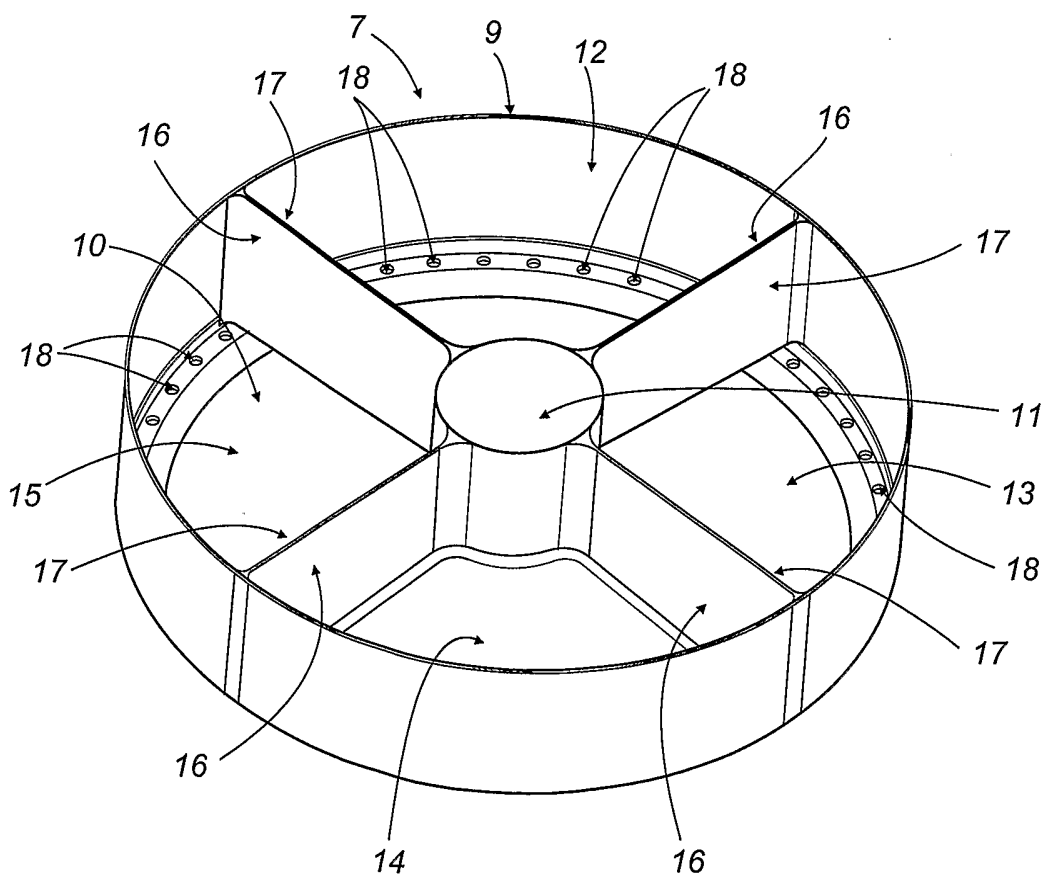


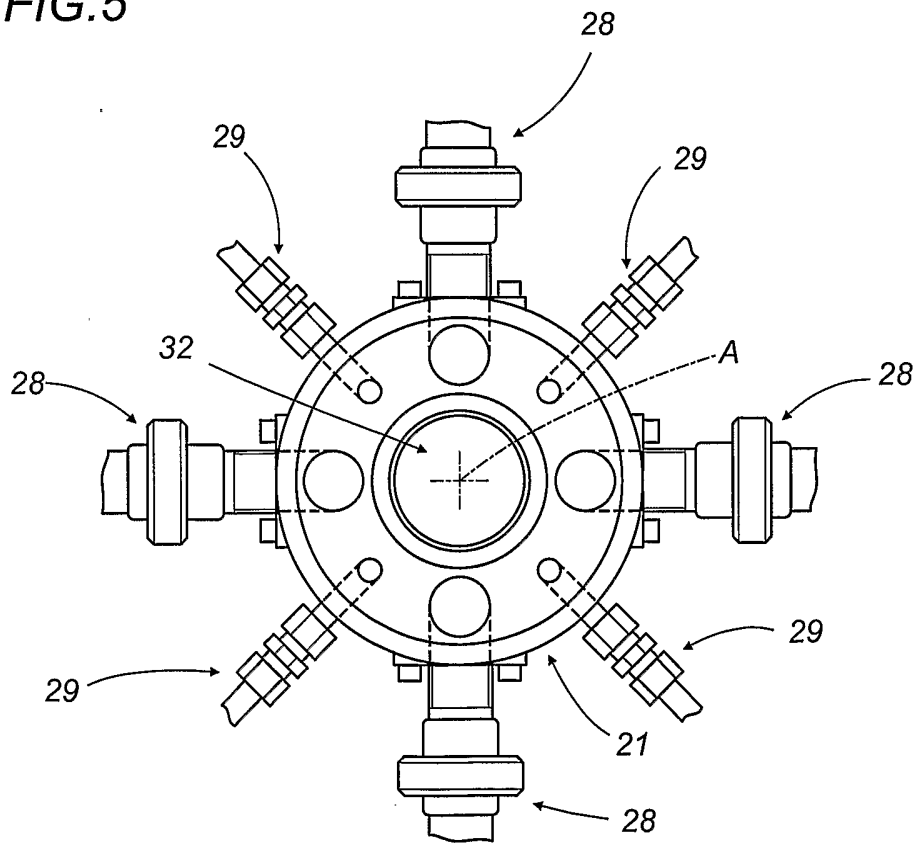
FIG. 3

FIG.4



5/5

FIG. 5



# INTERNATIONAL SEARCH REPORT

International Application No

PCT/IB 03/04397

<b>A. CLASSIFICATION OF SUBJECT MATTER</b> IPC 7 B65B3/04 B67C3/02		
According to International Patent Classification (IPC) or to both national classification and IPC		
<b>B. FIELDS SEARCHED</b>		
Minimum documentation searched (classification system followed by classification symbols) IPC 7 B65B B67C		
Documentation searched other than minimum documentation to the extent that such documents are included in the fields searched		
Electronic data base consulted during the international search (name of data base and, where practical, search terms used) EPO-Internal		
<b>C. DOCUMENTS CONSIDERED TO BE RELEVANT</b>		
Category *	Citation of document, with indication, where appropriate, of the relevant passages	Relevant to claim No.
X	US 2 638 259 A (GARRETT ROBERT W) 12 May 1953 (1953-05-12)	1,4,5
Y	column 1, line 6 -column 4, line 62; figures 1-4	3,6,9-11
X	US 5 713 403 A (JUNG KLAUS-WERNER ET AL) 3 February 1998 (1998-02-03)	1,2,4
Y	column 1, line 20 -column 4, line 8; figures 1-3	3,6,9-11
X	GB 2 035 973 A (BEDIN JEAN) 25 June 1980 (1980-06-25)	1,4
	page 1, line 11 - line 84; figures 1,2	
X	US 6 334 473 B1 (DUMARGUE GUY) 1 January 2002 (2002-01-01)	1,4
	column 2, line 9 - line 33; figure 1	
	-/--	
<input checked="" type="checkbox"/> Further documents are listed in the continuation of box C.		
<input checked="" type="checkbox"/> Patent family members are listed in annex.		
* Special categories of cited documents :		
*A* document defining the general state of the art which is not considered to be of particular relevance *E* earlier document but published on or after the international filing date *L* document which may throw doubts on priority claim(s) or which is cited to establish the publication date of another citation or other special reason (as specified) *O* document referring to an oral disclosure, use, exhibition or other means *P* document published prior to the international filing date but later than the priority date claimed		*T* later document published after the international filing date or priority date and not in conflict with the application but cited to understand the principle or theory underlying the invention *X* document of particular relevance; the claimed invention cannot be considered novel or cannot be considered to involve an inventive step when the document is taken alone *Y* document of particular relevance; the claimed invention cannot be considered to involve an inventive step when the document is combined with one or more other such documents, such combination being obvious to a person skilled in the art. *&* document member of the same patent family
Date of the actual completion of the international search 2 December 2003		Date of mailing of the international search report 12/12/2003
Name and mailing address of the ISA European Patent Office, P.B. 5818 Patentlaan 2 NL - 2280 HV Rijswijk Tel. (+31-70) 340-2040, Tx. 31 651 epo nl, Fax: (+31-70) 340-3016		Authorized officer Vigilante, M

# INTERNATIONAL SEARCH REPORT

International application No  
PCT/IB 03/04397

C.(Continuation) DOCUMENTS CONSIDERED TO BE RELEVANT		
Category *	Citation of document, with indication, where appropriate, of the relevant passages	Relevant to claim No.
A	EP 1 243 546 A (AZIONARIA COSTRUZIONI) 25 September 2002 (2002-09-25) the whole document -----	1-11

## INTERNATIONAL SEARCH REPORT

International Application No

PCT/IB 03/04397

Patent document cited in search report		Publication date	Patent family member(s)	Publication date
US 2638259	A	12-05-1953	NONE	
US 5713403	A	03-02-1998	DE 19513064 A1 IT MI960660 A1	10-10-1996 06-10-1997
GB 2035973	A	25-06-1980	FR 2440910 A1 DE 2944422 A1 ES 485787 A1 IT 1125634 B MX 148493 A	06-06-1980 22-05-1980 16-05-1980 14-05-1986 26-04-1983
US 6334473	B1	01-01-2002	FR 2801578 A1 AT 252053 T BR 0015983 A DE 60006001 D1 EP 1244597 A1 WO 0140097 A1 JP 2003515509 T	01-06-2001 15-11-2003 23-07-2002 20-11-2003 02-10-2002 07-06-2001 07-05-2003
EP 1243546	A	25-09-2002	IT B020010161 A1 CN 1375430 A EP 1243546 A2 US 2002134460 A1	23-09-2002 23-10-2002 25-09-2002 26-09-2002