



US00D756285S

(12) **United States Design Patent**
Zhao

(10) **Patent No.:** **US D756,285 S**

(45) **Date of Patent:** **** May 17, 2016**

- (54) **AUTOMOBILE WHEEL**
- (71) Applicant: **WAH HUNG GROUP INC.**, Monterey Park, CA (US)
- (72) Inventor: **John Zhao**, Monterey Park, CA (US)
- (73) Assignee: **Wah Hung Group Inc.**, Monterey park, CA (US)

D651,550 S	*	1/2012	Elmitt	D12/209
D651,956 S	*	1/2012	Ectors	D12/209
D671,875 S	*	12/2012	Camacho	D12/209
D686,554 S	*	7/2013	Pollmann	D12/209
D711,806 S	*	8/2014	Pollmann	D12/209
D726,623 S	*	4/2015	Alfonso	D12/211
D727,826 S	*	4/2015	Chung	D12/211
D736,135 S	*	8/2015	Grake	D12/211

(**) Term: **14 Years**

(21) Appl. No.: **29/506,022**

(22) Filed: **Oct. 12, 2014**

(51) **LOC (10) Cl.** **12-16**

(52) **U.S. Cl.**
USPC **D12/211**

(58) **Field of Classification Search**
USPC D12/204-213; 301/37.101, 64.101, 65
See application file for complete search history.

(56) **References Cited**

U.S. PATENT DOCUMENTS

D606,477 S	*	12/2009	Gelardi	D12/211
D620,417 S	*	7/2010	Gallert	D12/209
D627,287 S	*	11/2010	Gallert	D12/209
D645,389 S	*	9/2011	Nissl	D12/209
D649,923 S	*	12/2011	Hans	D12/211

OTHER PUBLICATIONS

Search Results for IN/ernie and IN/alfonso on Dec. 21, 2014.
Search results of IN/john and TTL/wheel and IN/zhao on Dec. 19, 2014.

* cited by examiner

Primary Examiner — Ian Simmons
Assistant Examiner — Samantha Q Lawrence
(74) *Attorney, Agent, or Firm* — Payam Moradian

(57) **CLAIM**

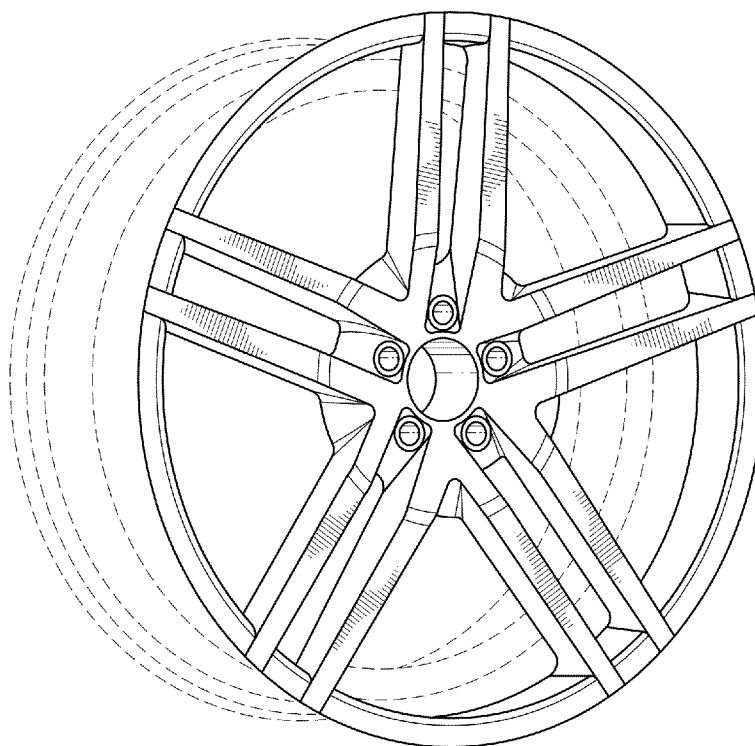
I claim the ornamental design for an automobile wheel, as shown and described.

DESCRIPTION

FIG. 1 is a front elevational view of an automobile wheel; and, FIG. 2 is a perspective view thereof.

The broken lines shown in FIG. 1 and FIG. 2 illustrate portions of the automobile wheel that form no part of the claimed design.

1 Claim, 2 Drawing Sheets



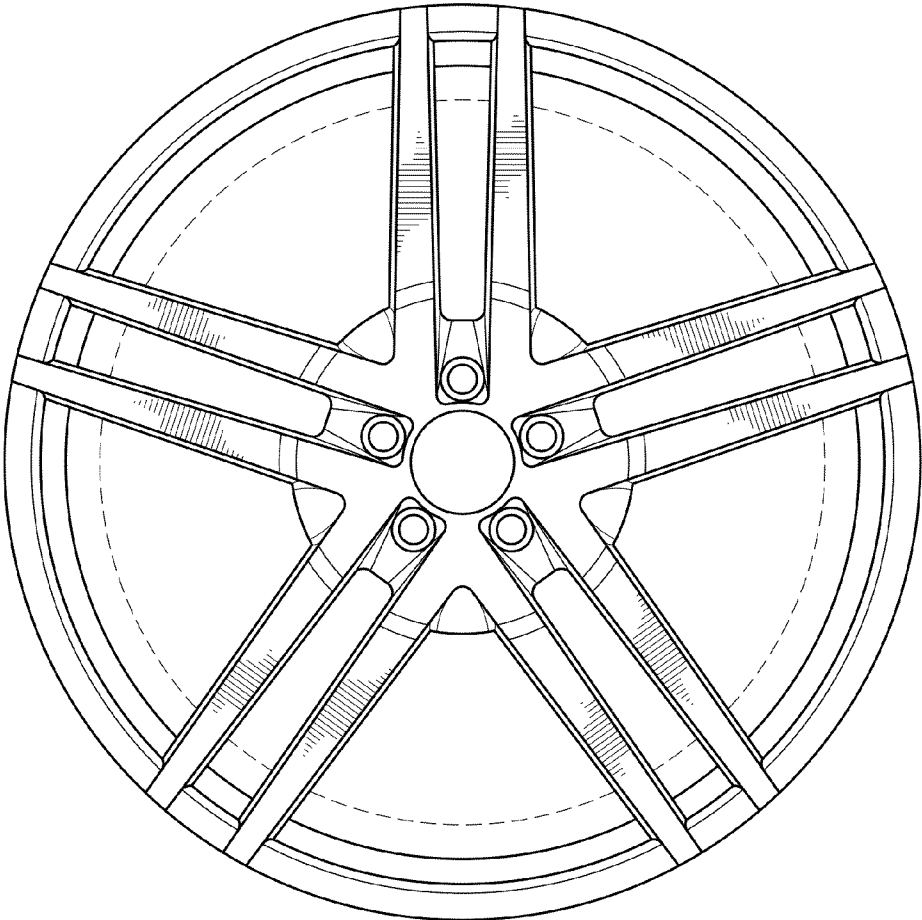


FIG. 1

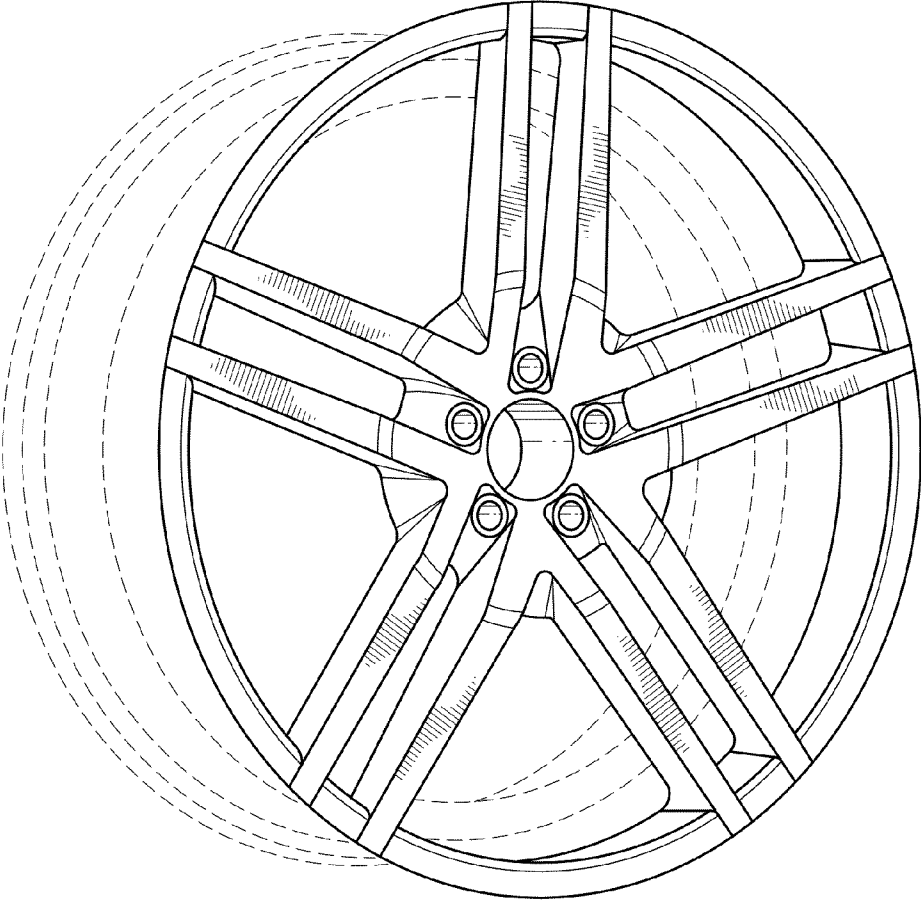


FIG. 2