

[54] DISKETTE DRIVE

[75] Inventor: Tristan A. Merino, Cedar Park, Tex.

[73] Assignee: International Business Machines Corporation, Armonk, N.Y.

[\*\*] Term: 14 Years

[21] Appl. No.: 820,458

[22] Filed: Jan. 17, 1986

[52] U.S. Cl. .... D14/109

[58] Field of Search ..... D14/100, 107, 108, 109; D13/40, 41; 364/708; 360/97, 98, 99

[56] References Cited

U.S. PATENT DOCUMENTS

Re. 21,480	6/1940	Snow	.....	361/390 X
249,343	9/1878	Ronzani	.....	D14/40
271,202	11/1983	Endt	.....	D14/109
277,964	3/1885	Xanthopoulos	.....	D14/109
281,245	11/1985	Lewis	.....	D14/100
D. 286,050	10/1986	Roots	.....	D14/109

OTHER PUBLICATIONS

Byte, 9-1983, p. 361, "Slimmer", Floppy Disk Drive.  
Byte, 9-1983, p. 501, Disk Drive.  
Government Marketing Services Catalog, ©1984, Hewlett Packard, H-P-150 Personal Computer, Disk Drive.

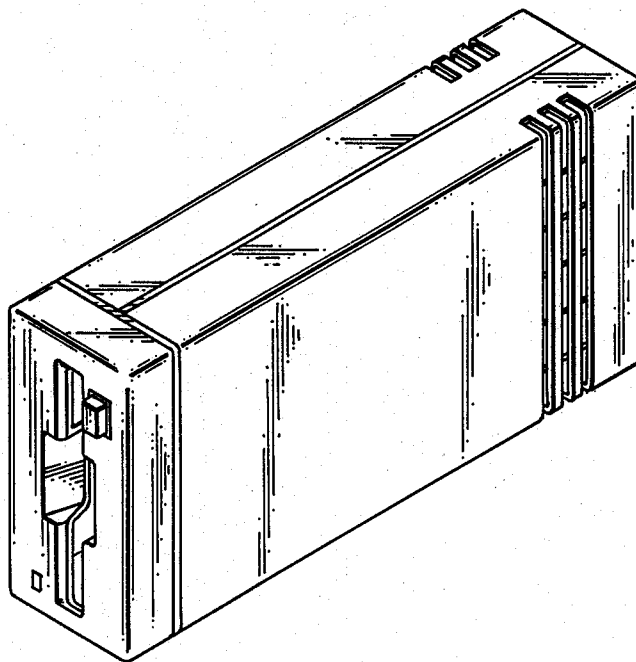
Primary Examiner—Susan J. Lucas  
Attorney, Agent, or Firm—J. F. Villella, Jr.; H. St. Julian

[57] CLAIM

The ornamental design for a diskette drive, or the like, as shown and described.

DESCRIPTION

FIG. 1 is a front, right side perspective view of a top, diskette drive, or the like, showing my new design; FIG. 2 is a right side elevational view thereof; FIG. 3 is a bottom plan view thereof; FIG. 4 is a left side elevational view thereof; FIG. 5 is a top plan view thereof; FIG. 6 is a front elevational view thereof; and, FIG. 7 is a rear elevational view thereof.



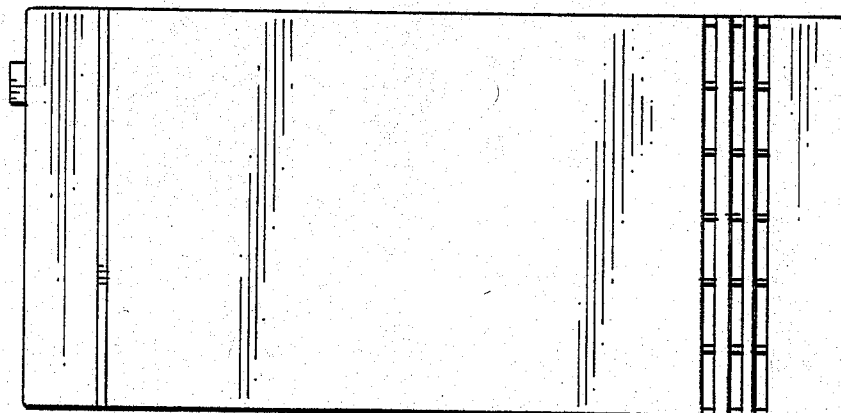


FIG. 2

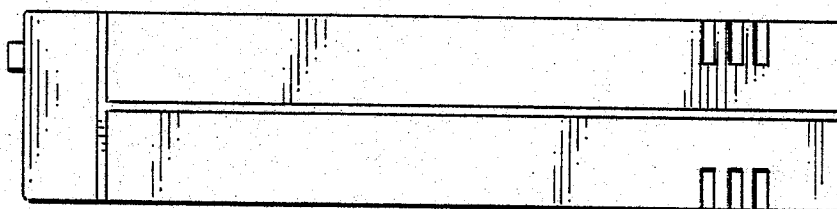


FIG. 3

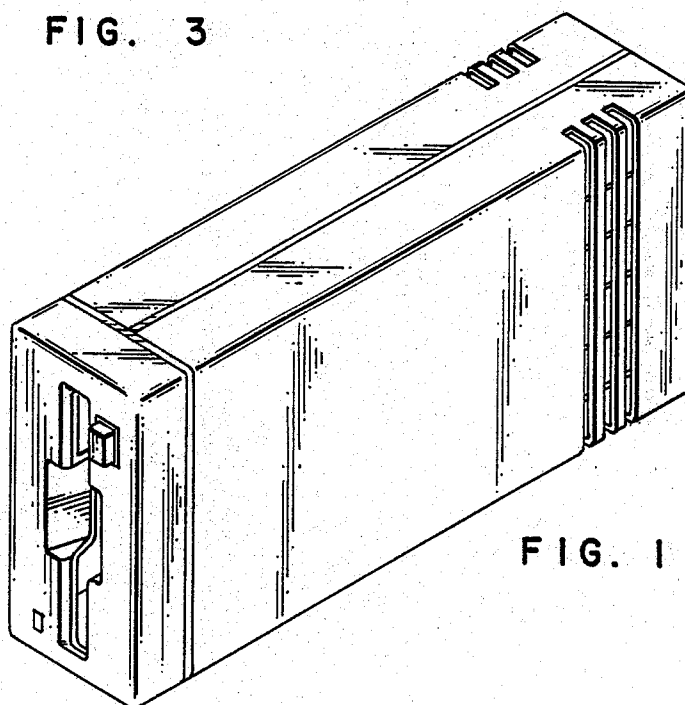


FIG. 1

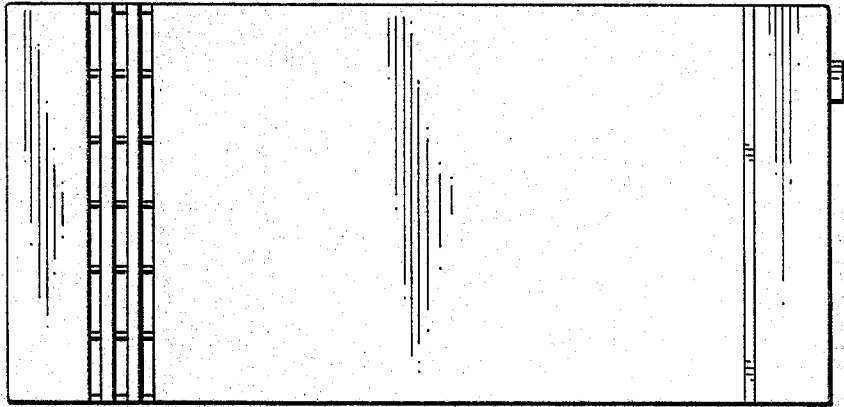


FIG. 4

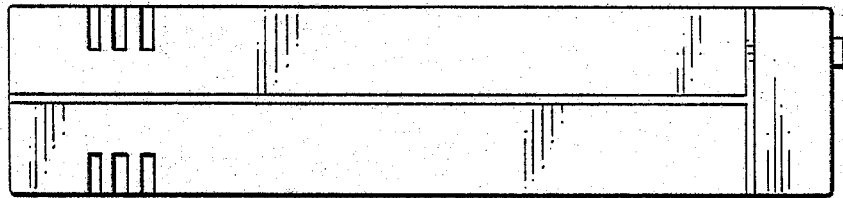


FIG. 5

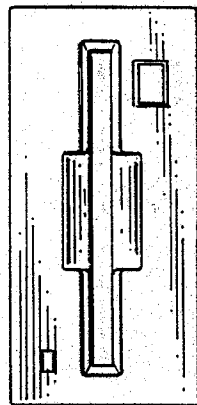


FIG. 6

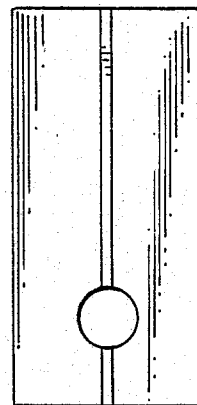


FIG. 7