



(12) **United States Design Patent**
Singer

(10) **Patent No.:** **US D1,069,507 S**
(45) **Date of Patent:** **** Apr. 8, 2025**

(54) **TRAY**

(71) Applicant: **Home4U, Inc.**, Jersey City, NJ (US)

(72) Inventor: **Avraham Shmiel Singer**, Brooklyn, NY (US)

(73) Assignee: **Home4U, Inc.**, Jersey City, NJ (US)

(**) Term: **15 Years**

(21) Appl. No.: **29/903,419**

(22) Filed: **Sep. 22, 2023**

(51) **LOC (15) Cl.** **07-01**

(52) **U.S. Cl.**
USPC **D7/554.4**

(58) **Field of Classification Search**
USPC D3/304, 308, 314, 315; D7/316, 317, D7/318, 312, 300, 368, 372, 376, 378, D7/383, 384, 387, 399, 409, 412, 413, D7/414, 415, 550.1, 553.2, 554.2, 554.3, D7/554.4, 602; D23/200
CPC A21C 1/02; A21C 1/04; A23N 1/00; A23N 1/02; A47J 43/04; A47J 43/25; A47J 43/042; A47J 43/046; A47J 43/0722; A47J 47/16; A47G 19/02; A47G 19/06; A47G 23/06; B65D 1/00; B65D 1/24; B65D 1/34; B65D 1/36; B65D 5/00
See application file for complete search history.

(56) **References Cited**

U.S. PATENT DOCUMENTS

D258,212 S * 2/1981 Negrete D7/409
D457,393 S * 5/2002 Lewis A47J 37/0786
D7/402
D619,822 S * 7/2010 Damgaard-Sorensen
D6/406.1

(Continued)

FOREIGN PATENT DOCUMENTS

CN 307283455 * 1/2022
CN 307303782 * 4/2022

(Continued)

OTHER PUBLICATIONS

Medline Guardian Walker Flip Tray, posted Jul. 20, 2012 [online], [retrieved Nov. 14, 2024]. Retrieved from internet, https://www.amazon.com.au/Medline-Guardian-Walker-Flip-Tray/dp/B009GQ37EK/ref=pd_sbs_d_sccl_2_3/356-6156965-7468052?pd_rd_w=hhzF4&%E2%80%A6 (Year: 2012).*

(Continued)

Primary Examiner — Shannon W Morgan
Assistant Examiner — Kellianne M Shaver
(74) *Attorney, Agent, or Firm* — Bochner PLLC; Andrew D Bochner

(57) **CLAIM**

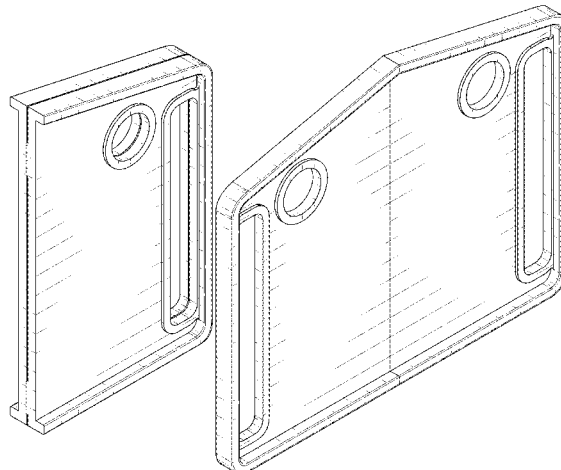
The ornamental design for a tray, as shown and described.

DESCRIPTION

FIG. 1 is a top, front, right-side, perspective view of a tray; FIG. 2 is a right-side view thereof; FIG. 3 is a left-side view thereof; FIG. 4 is a front view thereof; FIG. 5 is a rear view thereof; FIG. 6 is a top view thereof; FIG. 7 is a bottom view thereof; FIG. 8 is a top, front, left-side, perspective view of an alternate embodiment of the tray; FIG. 9 is a front view thereof; FIG. 10 is a rear view thereof; FIG. 11 is a left-side view thereof; FIG. 12 is a right-side view thereof; FIG. 13 is a top view thereof; and, FIG. 14 is a bottom view thereof.

The broken lines in the figures are for the purpose of illustrating portions of the tray and form no part of the claimed design.

1 Claim, 10 Drawing Sheets



(56)

References Cited

U.S. PATENT DOCUMENTS

D635,825	S	*	4/2011	Borovicka	D7/409
D648,175	S	*	11/2011	Zemel	D7/354
D786,009	S	*	5/2017	Mirchandani	D7/354
D815,491	S	*	4/2018	Hollinger	D7/409
D843,172	S	*	3/2019	McGinnis	D7/354
D854,376	S	*	7/2019	Hu	D7/409
D982,322	S	*	4/2023	Sommer	D3/304
D997,642	S	*	9/2023	Xu	D7/359
2008/0179264	A1	*	7/2008	Abrams	A47L 19/02 34/104
2022/0299258	A1	*	9/2022	Cheng	F25D 25/02

FOREIGN PATENT DOCUMENTS

CN	308009031	*	4/2023
JP	D1442884	*	6/2012

OTHER PUBLICATIONS

Drive Medical Deluxe Universal Walker Tray, posted Nov. 30, 2017 [online], [retrieved Nov. 14, 2024]. Retrieved from internet, <https://www.amazon.com.au/Drive-Medical-Deluxe-Universal-Walker/dp/>

B002VWJYQG/ref=pd_vtp_h_pd_vtp_h_d_scc1_6/356-6156965-7468052?pd%2%80%A6 (Year: 2017).*

Mondo Medical Black No Slip Walker Tray, posted Feb. 6, 2023 [online], [retrieved Nov. 14, 2024]. Retrieved from internet, https://www.amazon.com.au/Mondo-Medical-Black-Walker-Folding/dp/B0BTRXWXHP/ref=pd_sbs_d_scc1_2_4/356-6156965-7468052?pd_rd_w=c8H%E2%80%A6 (Year: 2023).*

Essential Medical Supply Universal Folding Walker Tray, posted Feb. 5, 2018 [online], [retrieved Nov. 14, 2024]. Retrieved from internet, https://www.amazon.com.au/Essential-Medical-Supply-Universal-Folding/dp/B079QYNHJ8/ref=pd_vtp_h_pd_vtp_h_d_scc1_2/356-6156965-7468052?pd%2%80%A6 (Year: 2018).*

Walker Tray Table with Cup Holder Mobility Table Tray, posted Jun. 18, 2024 [online], [retrieved Nov. 14, 2024]. Retrieved from internet, <https://www.amazon.com.au/Mobility-Foldable-Multipurpose-Equipment-Accessories/dp/B0D7BG3MHP> (Year: 2024).*

Medical king Walker Tray Table with Cup Holder, posted Oct. 18, 2023 [online], [retrieved Nov. 12, 2024]. Retrieved from internet, <https://www.amazon.com/Medical-king-Multipurpose-Equipment-Accessories/dp/B0CLBL3ZL7> (Year: 2023).*

Walker Tray, posted Jul. 15, 2018 [online], [retrieved Nov. 12, 2024]. Retrieved from internet, <https://shop.southwestmobility.com/productDetail.htm?productId=26755491> (Year: 2018).*

* cited by examiner

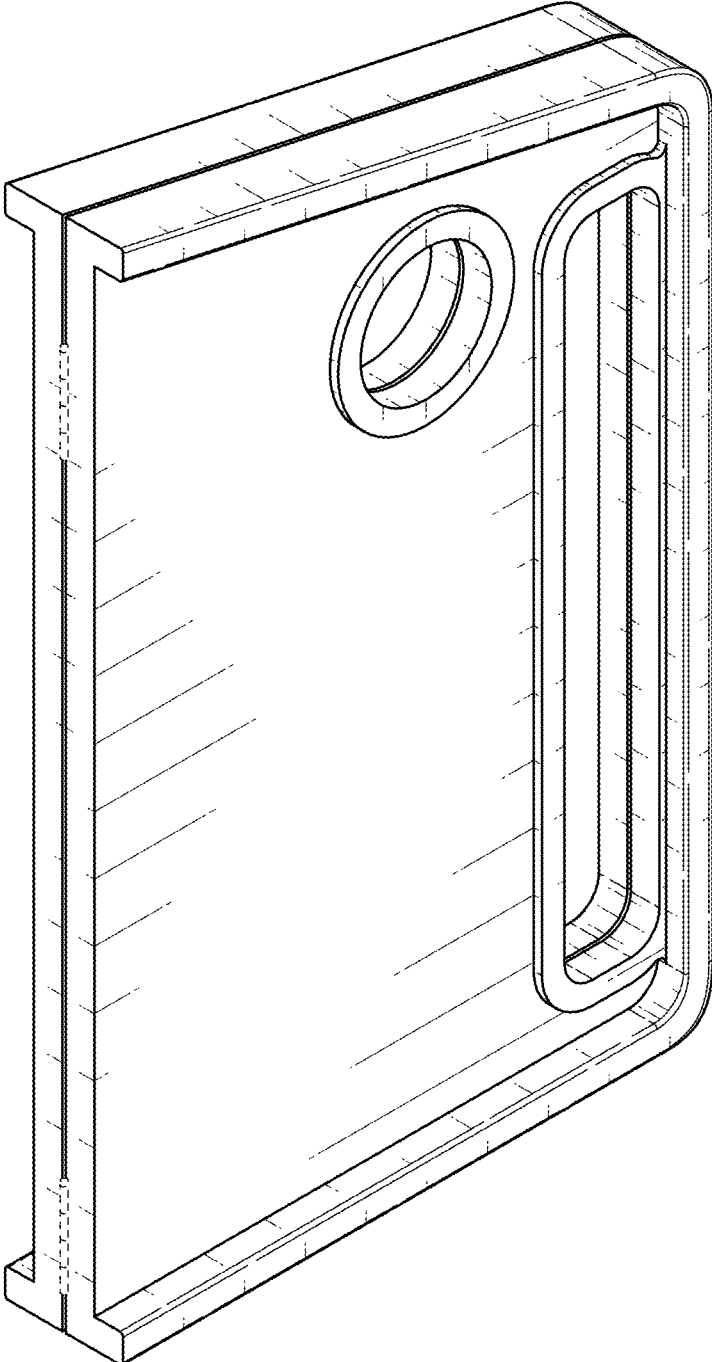


FIG. 1

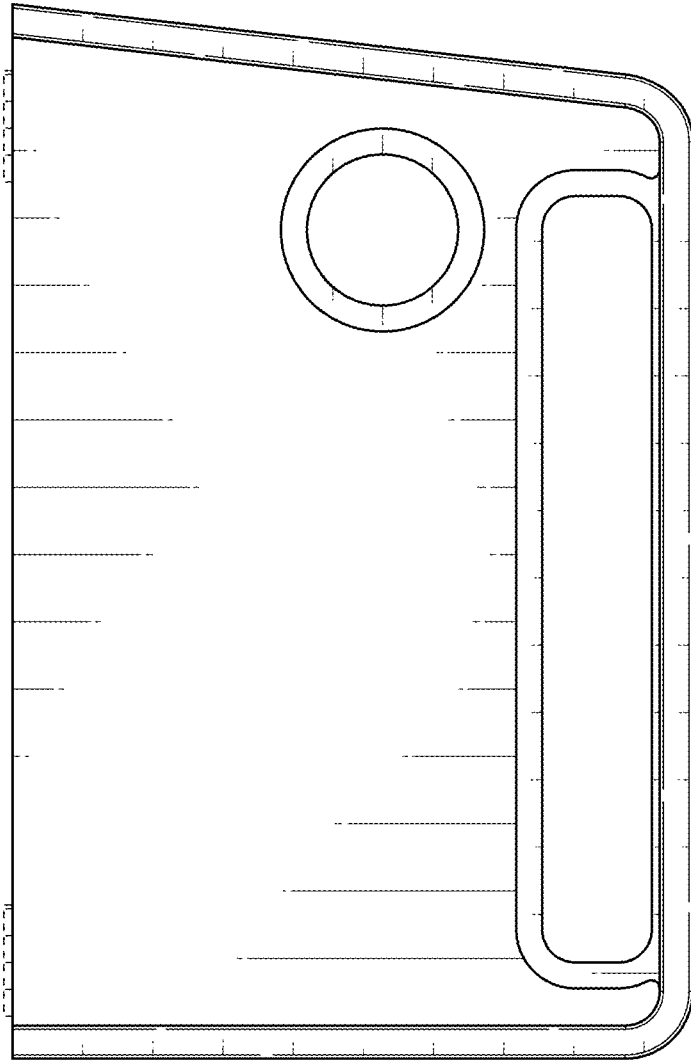


FIG. 2

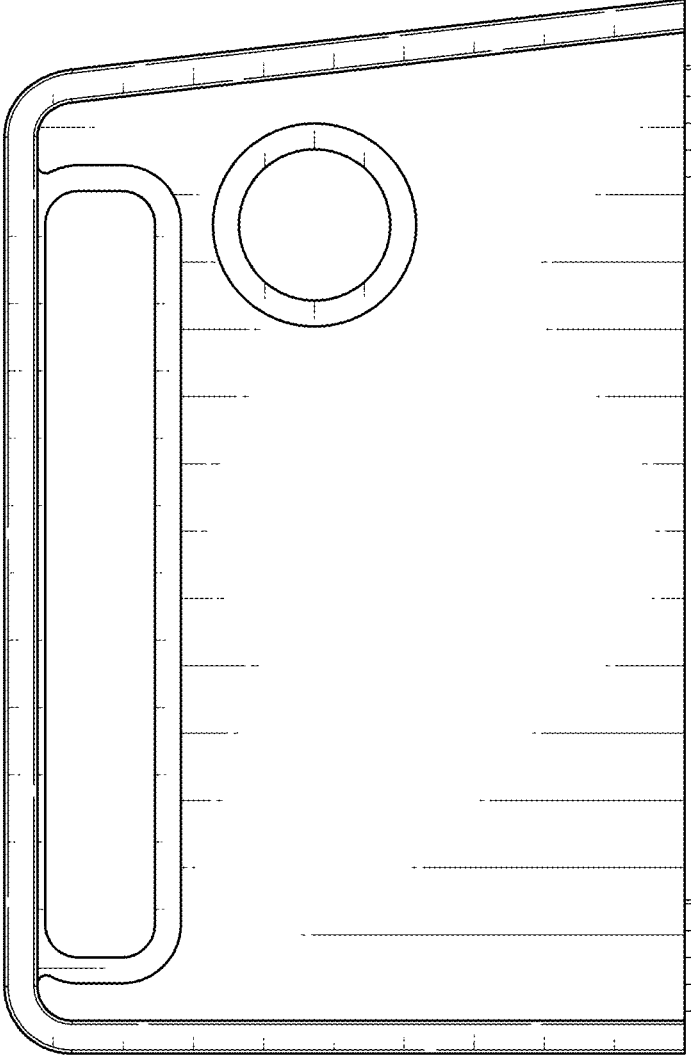


FIG. 3

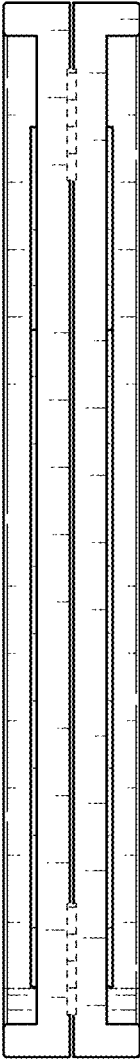


FIG. 4

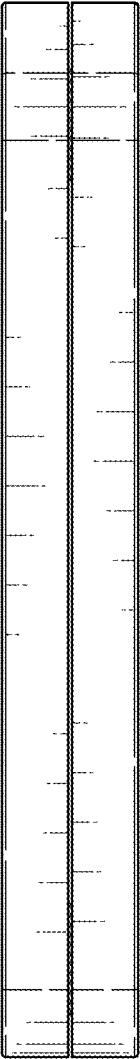


FIG. 5

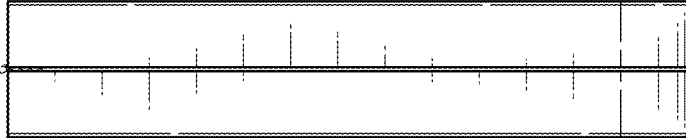


FIG. 6

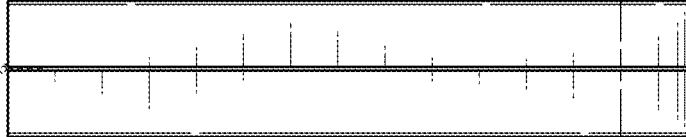


FIG. 7

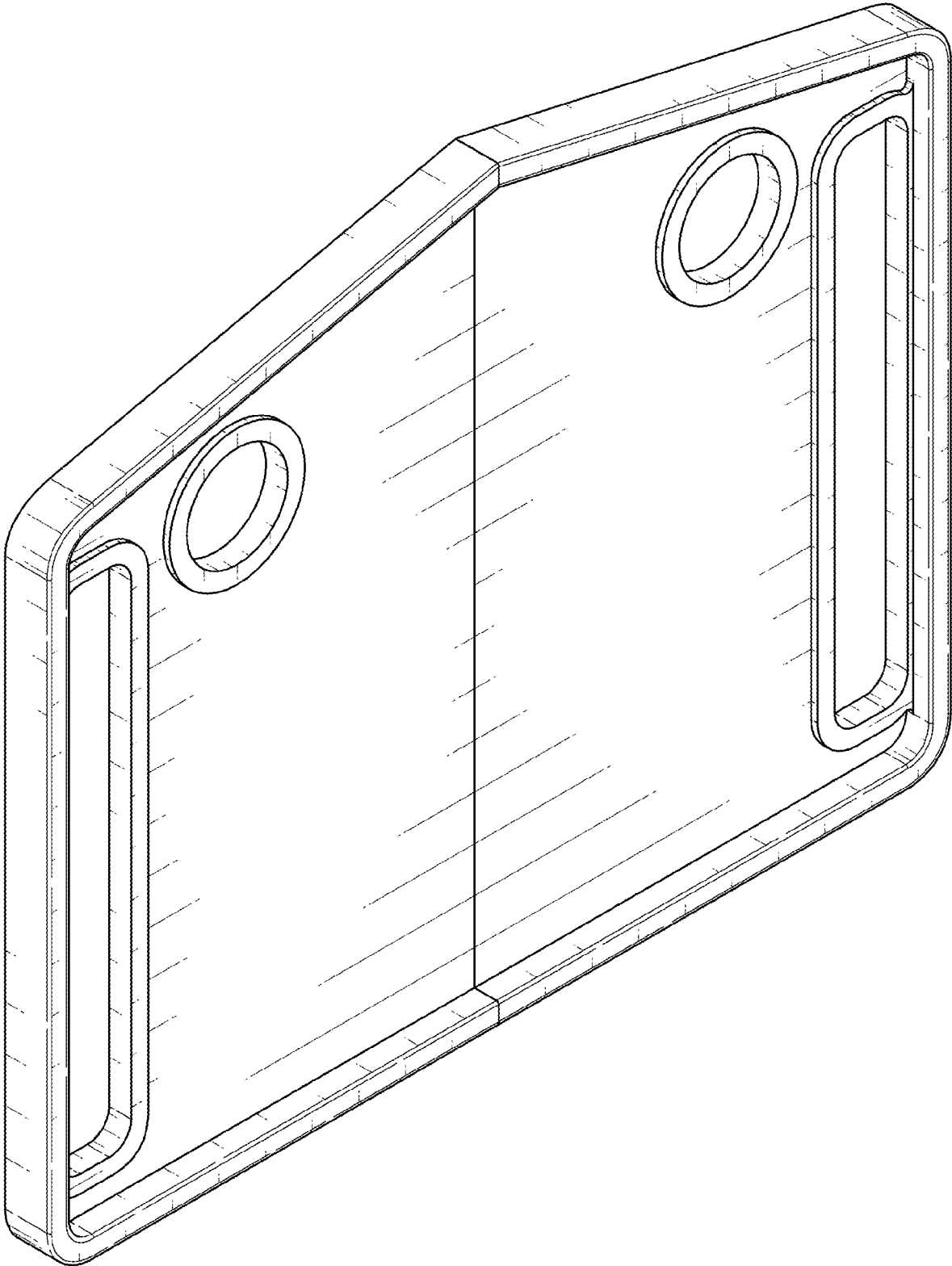


FIG. 8

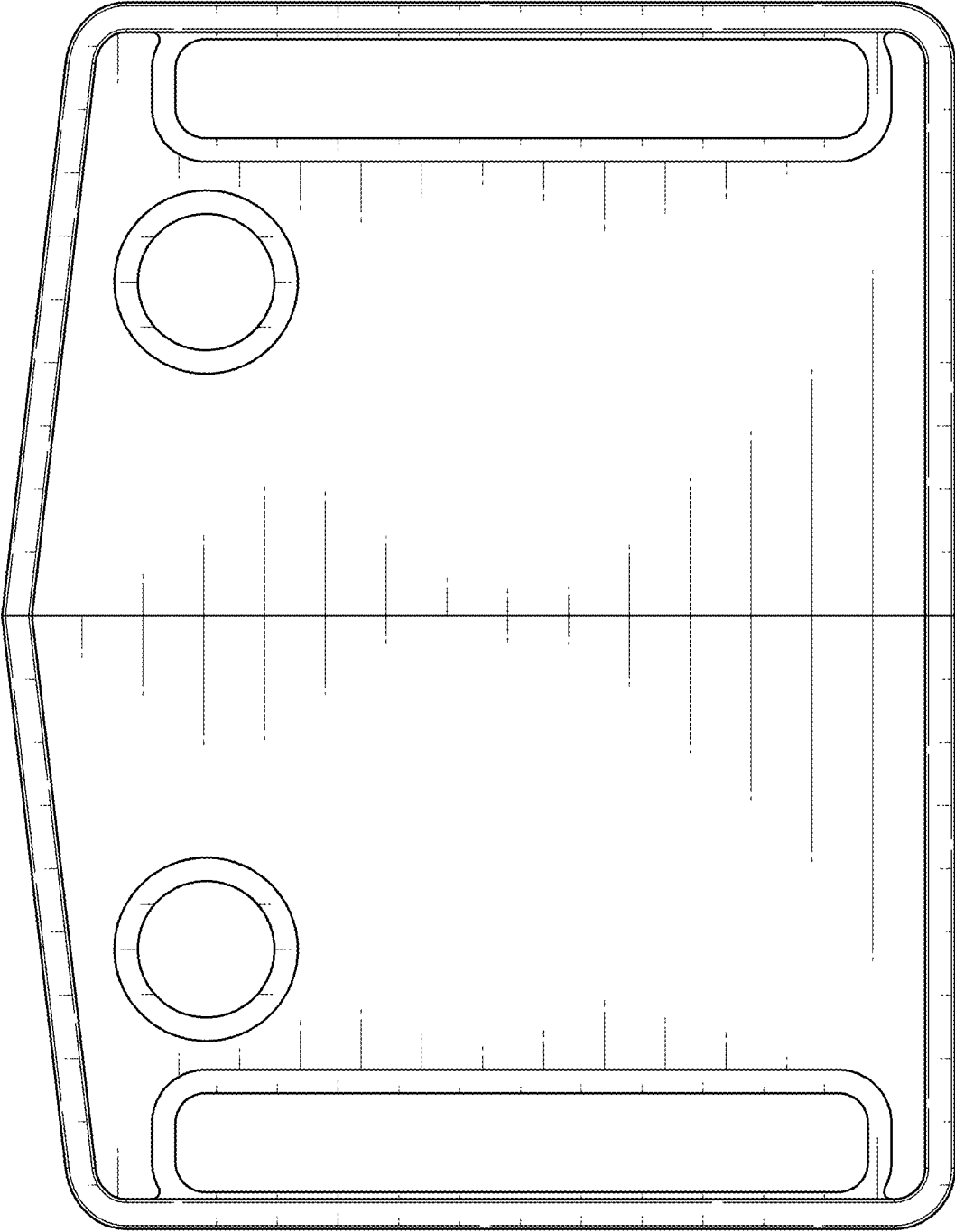


FIG. 9

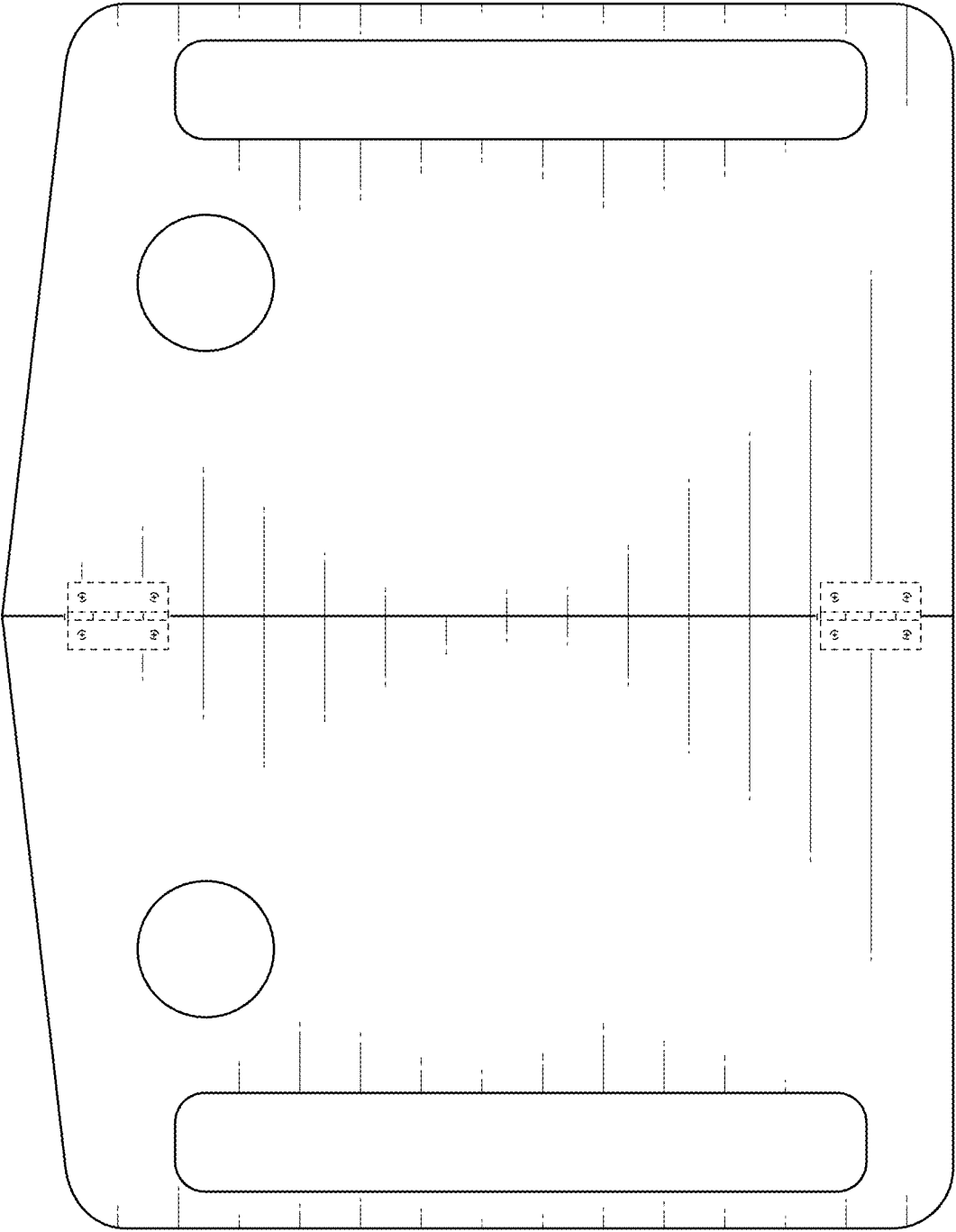


FIG. 10

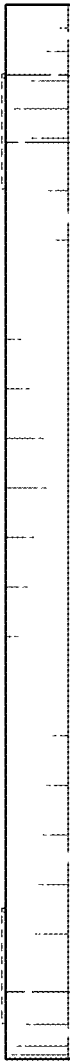


FIG. 11



FIG. 12



FIG. 13

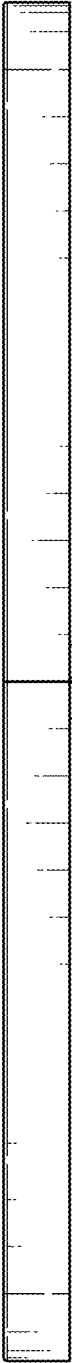


FIG. 14