



US00D343380S

United States Patent [19] Wortham

[11] Patent Number: Des. 343,380

[45] Date of Patent: ** Jan. 18, 1994

[54] BOAT WITH TRANSPARENT HULL

[76] Inventor: **Brazel T. Wortham**, Route 1, Box 185, Tillatoba, Miss. 38961

[**] Term: **14 Years**

[21] Appl. No.: **849,310**

[22] Filed: **Mar. 9, 1992**

[52] U.S. Cl. **D12/306; D12/300**

[58] Field of Search 114/61, 357, 363, 66; D12/300, 307, 309, 306, 304

[56] **References Cited**

U.S. PATENT DOCUMENTS

D. 236,448 8/1975 Simon D12/307
4,022,145 5/1977 Tindal 114/363

4,141,309 2/1979 Halboth 114/61
5,000,106 3/1991 Rheney 114/357

Primary Examiner—Kay H. Chin
Attorney, Agent, or Firm—S. Michael Bender

[57] CLAIM

The ornamental design for a boat with transparent hull, as shown and described.

DESCRIPTION

FIG. 1 is a front elevational view of a boat with transparent hull showing my new design;
FIG. 2 is a rear elevational view thereof;
FIG. 3 is a left side elevational view thereof;
FIG. 4 is a right side elevational view thereof;
FIG. 5 is a top plan view thereof; and,
FIG. 6 is a bottom plan view thereof.

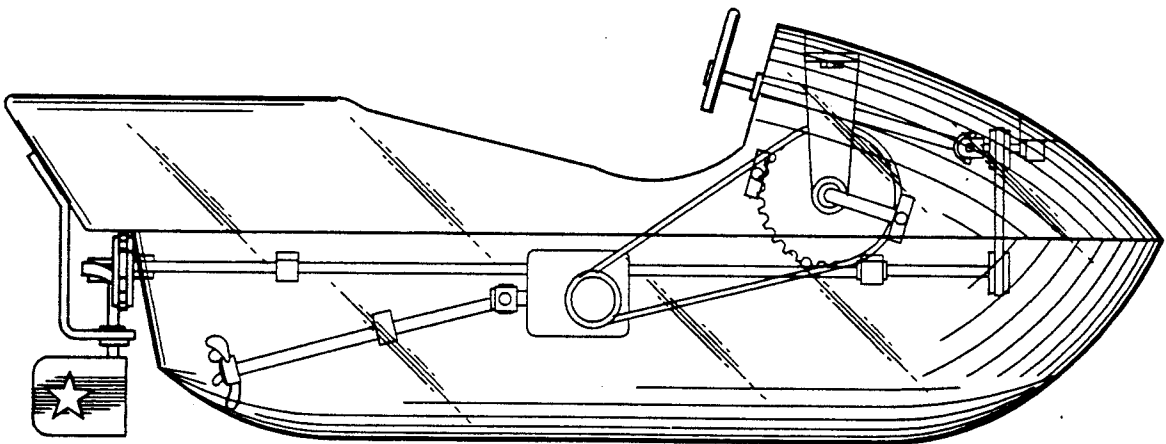
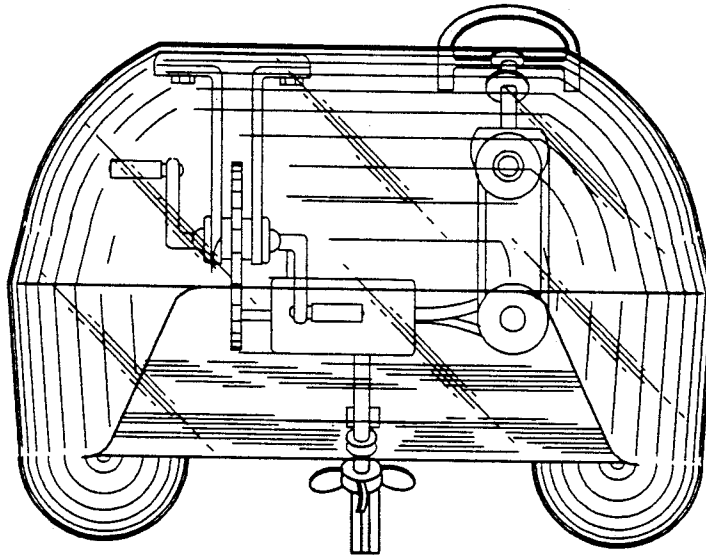


FIG. 1

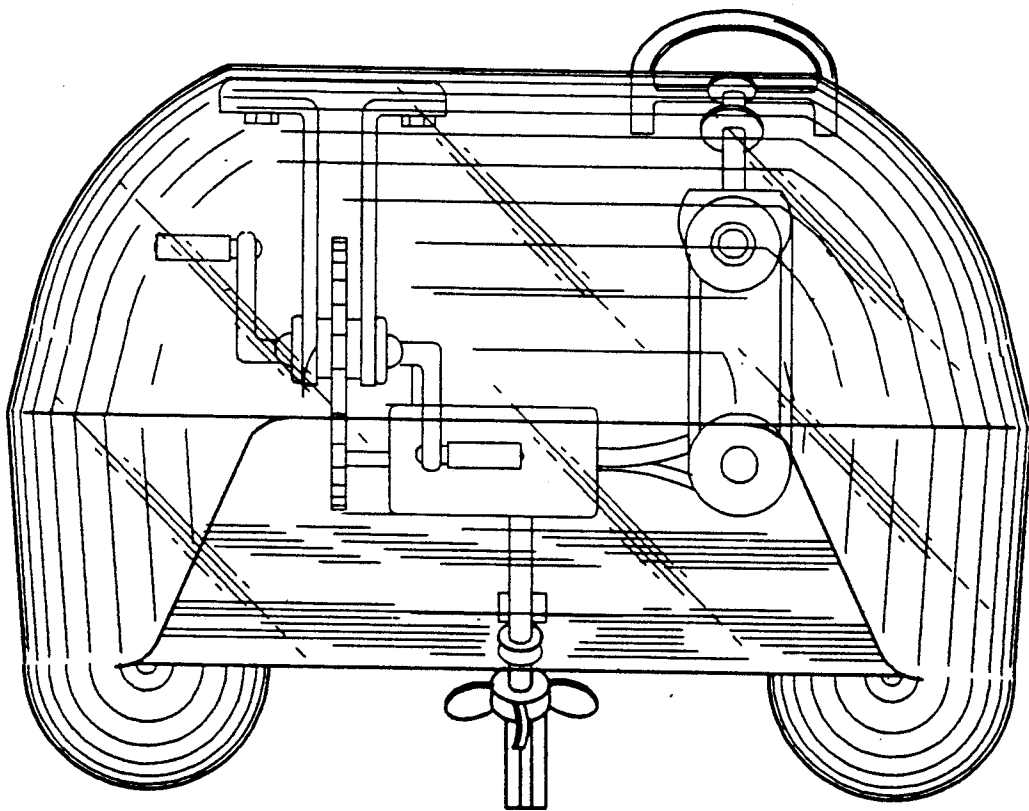
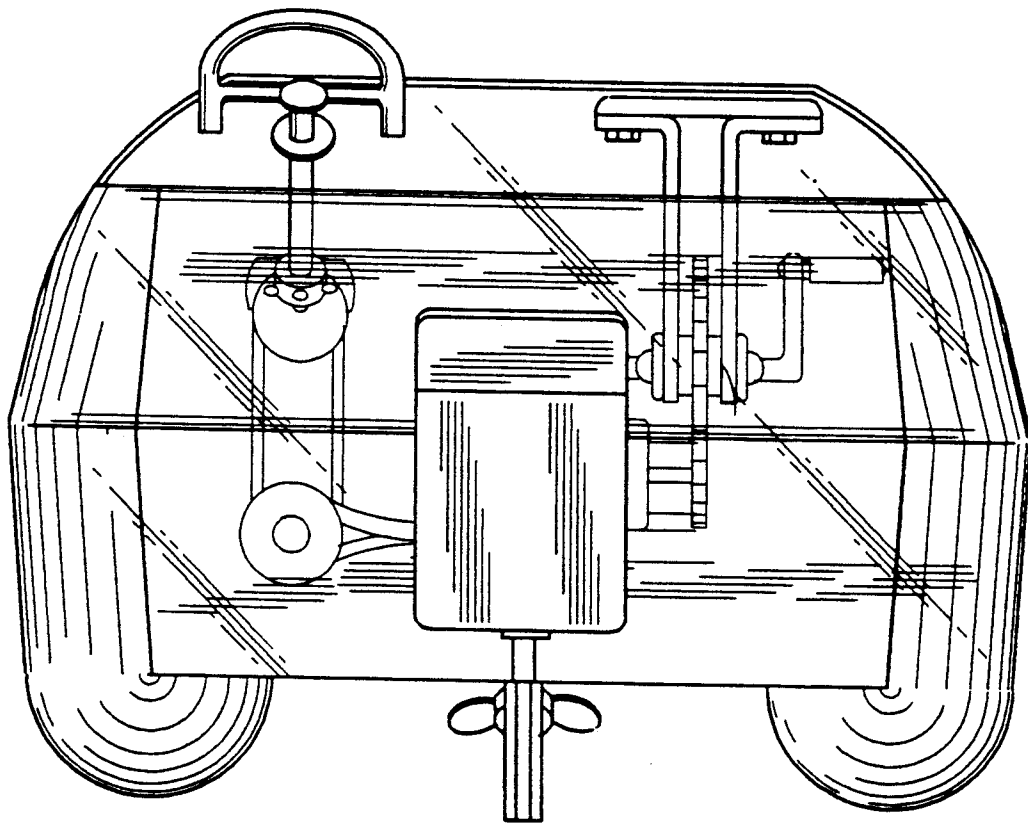


FIG. 2



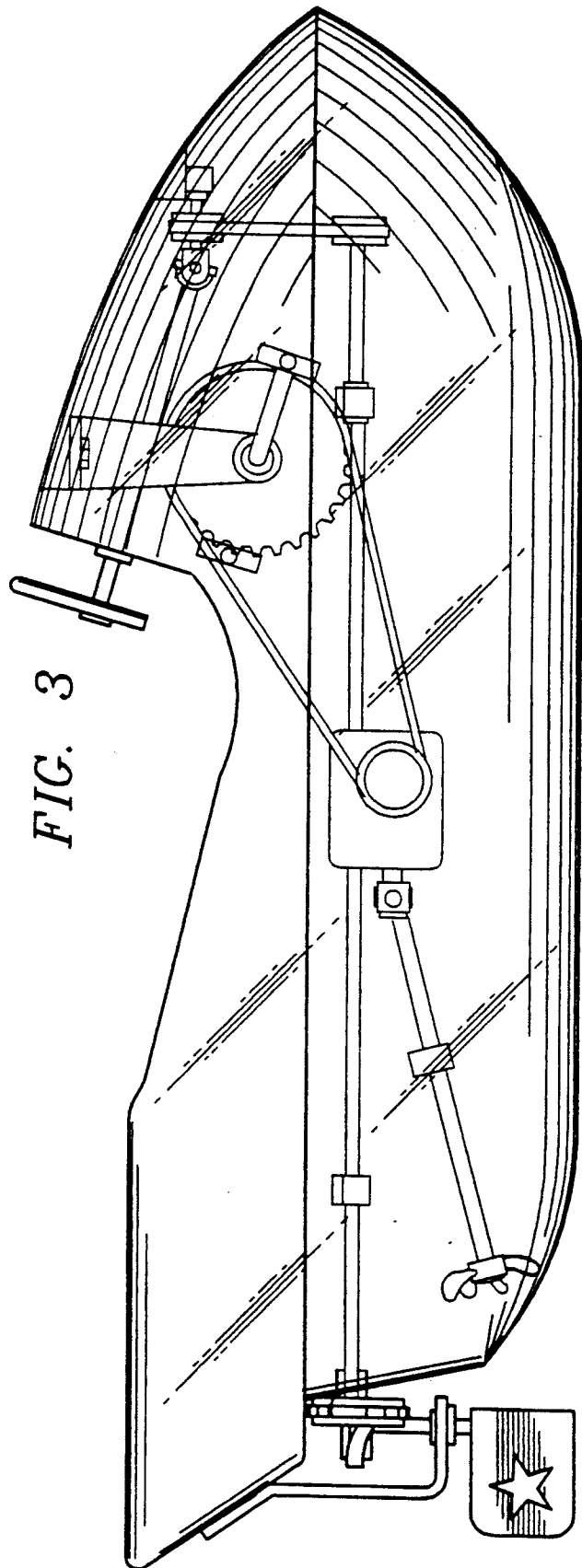


FIG. 3

FIG. 4

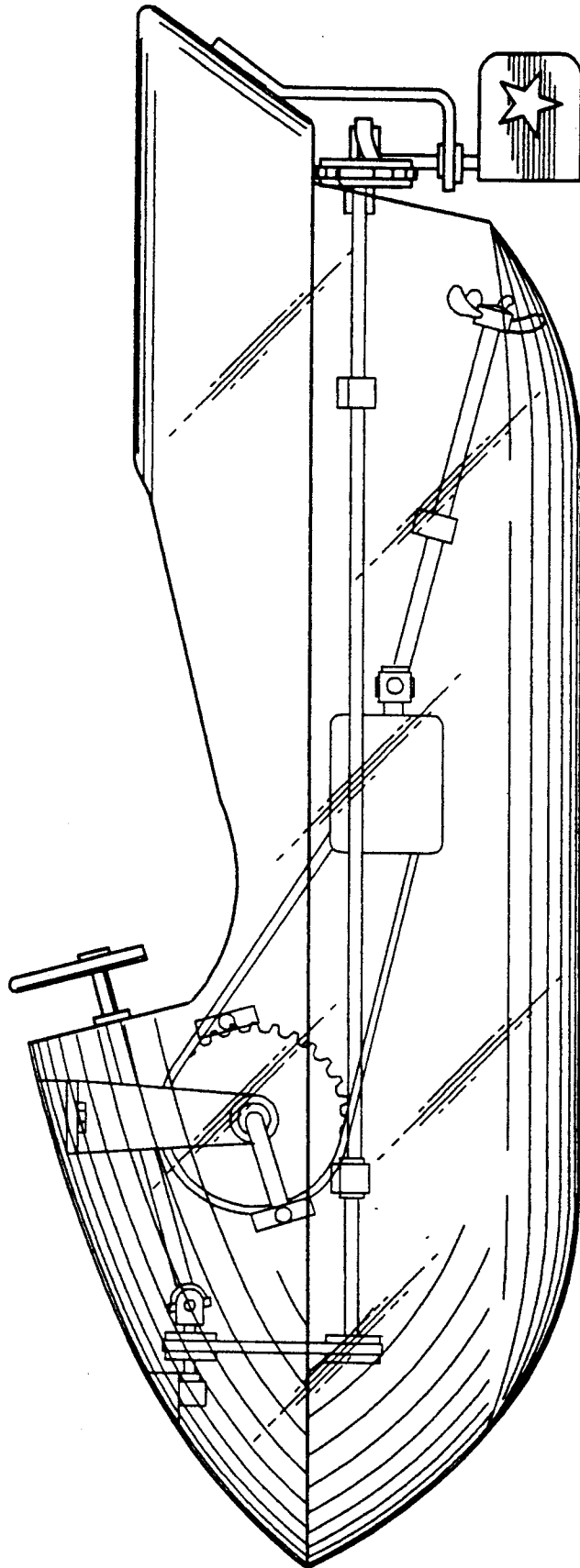


FIG. 5

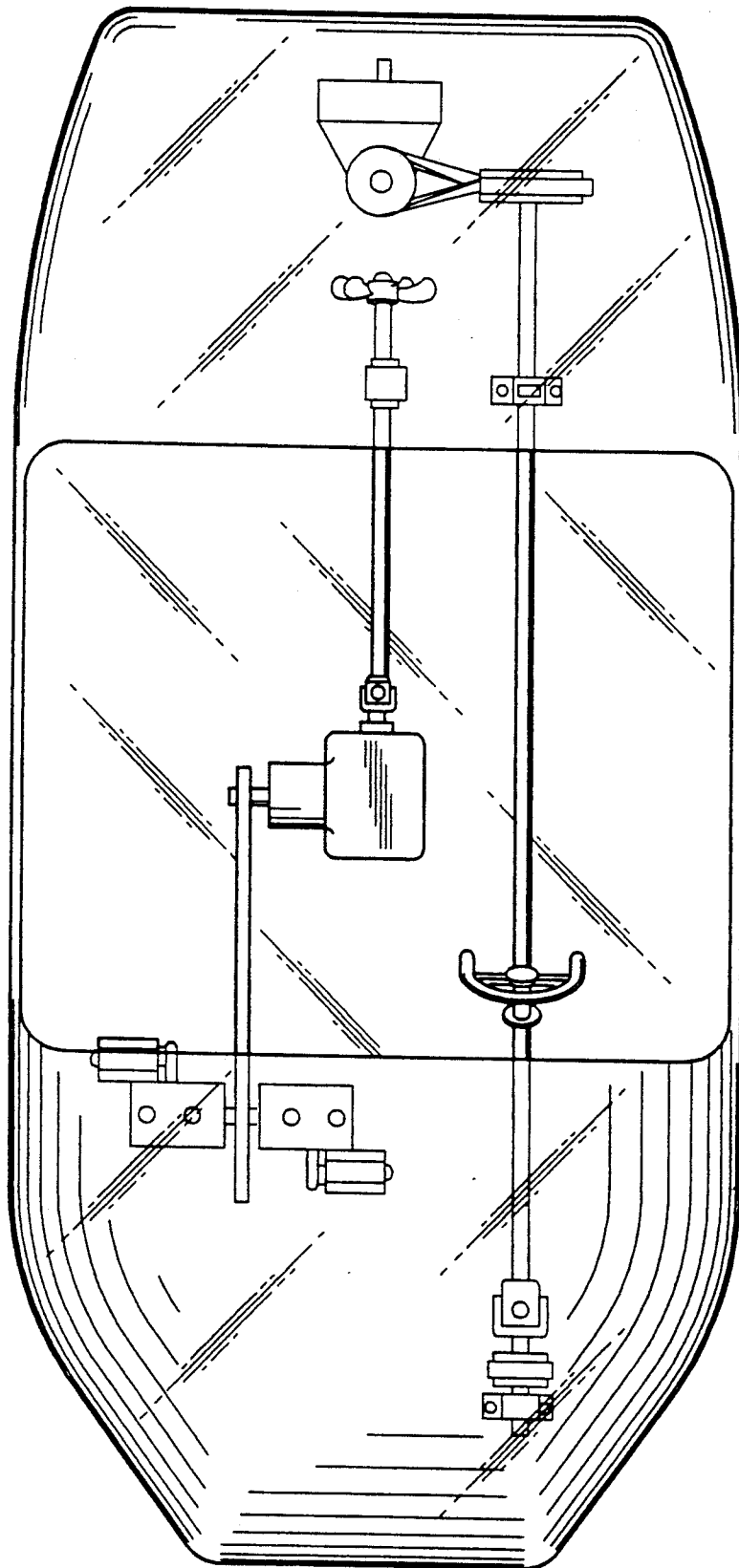


FIG. 6

