

Nov. 19, 1940.

W. J. BARGEN

Des. 123,610

STATIONERY ART BOX

Filed March 13, 1940

FIG. 1

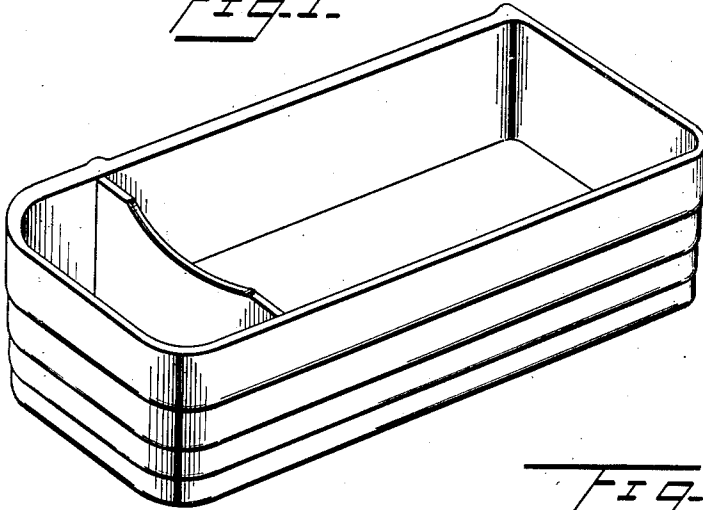


FIG. 2

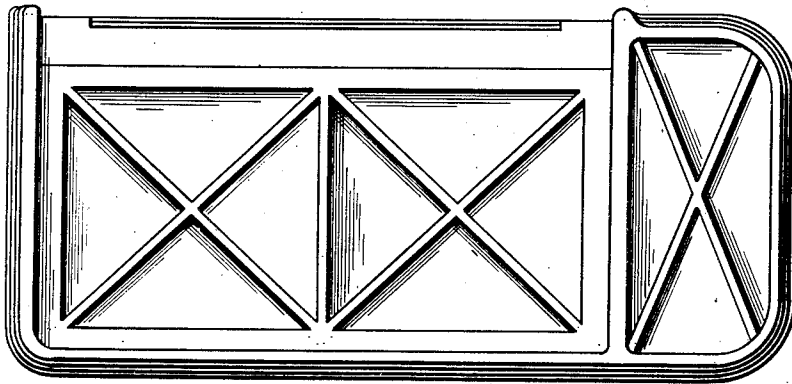


FIG. 3

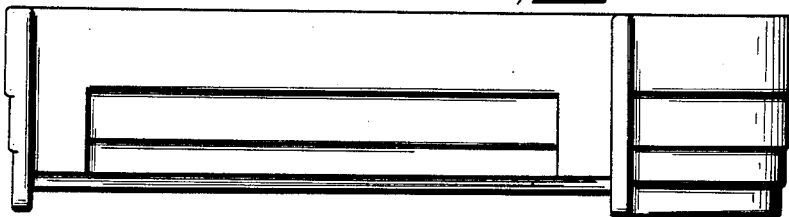
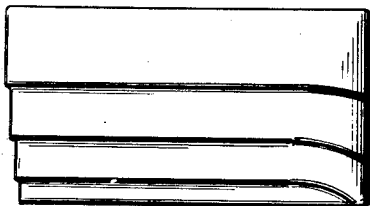


FIG. 4



Inventor

William J. Borgen

By

Kimmel & Crowell

Attorneys

UNITED STATES PATENT OFFICE

123,610

DESIGN FOR A STATIONERY ART BOX

William J. Bargaen, Waukegan, Ill.

Application March 13, 1940, Serial No. 90,906

Term of patent 3½ years

To all whom it may concern:

Be it known that I, William J. Bargaen, a citizen of the United States, residing at Waukegan, in the county of Lake and State of Illinois, have invented a new, original, and ornamental Design for a Stationery Art Box, of which the following is a specification, reference being had to the accompanying drawing, forming a part thereof.

In the drawing:

Figure 1 is a perspective view of a stationery art box showing my new design.

Figure 2 is a bottom plan view of the same.

Figure 3 is a rear elevational view of the same.

Figure 4 is an end elevational view of the box showing the exterior of the end opposite to that shown in Figure 1.

I claim:

The ornamental design for a stationery art box, as shown.

WILLIAM J. BARGEN.