



US00D766239S

(12) **United States Design Patent** (10) **Patent No.:** **US D766,239 S**
Goetgeluk (45) **Date of Patent:** **** Sep. 13, 2016**

(54) **OMNIDIRECTIONAL LOCOMOTION PLATFORM**

FOREIGN PATENT DOCUMENTS

(71) Applicant: **VIRTUIX HOLDINGS, INC.**,
Houston, TX (US)

CN 204798714 U * 11/2015 A63B 22/02
WO 2006017926 A1 2/2006
WO 2010089618 A2 8/2010

(72) Inventor: **Jan Goetgeluk**, Houston, TX (US)

OTHER PUBLICATIONS

(73) Assignee: **VENTURE LENDING & LEASING
VIL, INC.**, Portola Valley, CA (US)

Virtuix-omni-treadmill-controller.jpg. gajitz.com. [online] 1 page
Uploaded Mar. 4, 2013 [retrieved on Feb. 11, 2016]. Retrieved from
Internet: <http://gajitz.com/virtual-reality-gets-realer-motion-
based-treadmill-control/>.*

(**) Term: **14 Years**

(Continued)

(21) Appl. No.: **29/488,951**

Primary Examiner — Susan Bennett Hattan

(22) Filed: **Apr. 24, 2014**

Assistant Examiner — Marie Fast Horse

(51) **LOC (10) Cl.** **14-02**

(74) *Attorney, Agent, or Firm* — Polsinelli PC

(52) **U.S. Cl.**

(57) **CLAIM**

USPC **D14/388**; D21/669; D21/324

I claim the ornamental design for an omnidirectional loco-
motion platform, as shown and described.

(58) **Field of Classification Search**

DESCRIPTION

USPC D14/419, 356, 388, 389, 399, 400, 402,
D14/408, 432, 433, 439, 454, 299, 218, 496,
D14/511; D21/324, 333, 669, 671;
D13/164; 482/51, 61; 463/7
CPC A63B 2024/0096; A63B 2069/0037;
A63B 2225/093; A63B 2225/50; A63B
2210/50; A63B 2220/10; A63B 2220/12;
A63B 2220/40; A63B 2220/805; A63B
2071/0638; A63B 2208/12; A63B 2300/8082
See application file for complete search history.

FIG. 1 is a perspective view of an embodiment of an
omnidirectional locomotion platform;
FIG. 2 is a left side elevational view thereof;
FIG. 3 is a right side elevational view thereof;
FIG. 4 is a rear elevational view thereof;
FIG. 5 is a front elevational view thereof;
FIG. 6 is a top plan view thereof;
FIG. 7 is a bottom plan view thereof;
FIG. 8 is a cross-sectional view thereof taken along axis 8-8
from FIG. 6;
FIG. 9 is a cross-sectional view thereof taken along axis 9-9
from FIG. 6; and,
FIG. 10 is a cross-sectional view thereof taken along axis
10-10 from FIG. 6.

Broken lines are used to illustrate unclaimed portions of the
omnidirectional locomotion platform; broken lines form no
part of the claimed design.

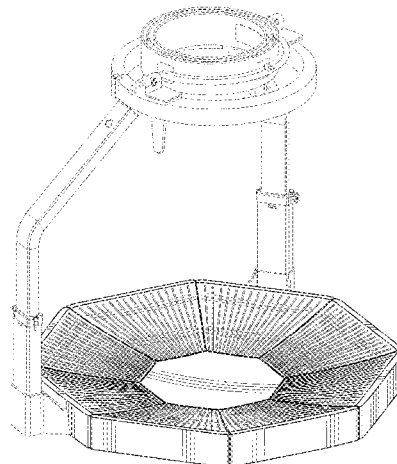
(56) **References Cited**

U.S. PATENT DOCUMENTS

5,846,134 A 12/1998 Latypov
5,902,214 A 5/1999 Makikawa
5,913,727 A 6/1999 Ahdoot
D446,824 S * 8/2001 Muraki D21/333
6,270,414 B2 8/2001 Roelofs
D460,492 S * 7/2002 Muraki D21/325
D479,860 S * 9/2003 Lim D14/217
D483,084 S * 12/2003 Gvoich D21/671

(Continued)

1 Claim, 10 Drawing Sheets



(56)

References Cited

U.S. PATENT DOCUMENTS

D493,500 S * 7/2004 Dalebout D21/671
 D510,391 S * 10/2005 Merrill D21/324
 D514,627 S * 2/2006 Merrill D21/324
 D519,569 S * 4/2006 Kiyono D21/333
 D574,788 S * 8/2008 Yamamoto D13/164
 D601,643 S * 10/2009 Byle D21/662
 D646,725 S * 10/2011 Utsumi D14/496
 D651,258 S * 12/2011 Rivard D21/333
 D693,411 S * 11/2013 Rivard D14/419
 D713,466 S * 9/2014 Otero D21/324
 D742,972 S * 11/2015 Corrigan D21/324
 2006/0073941 A1 * 4/2006 Perry A61H 1/005
 482/51
 2006/0139317 A1 * 6/2006 Leu G06F 3/011
 345/156
 2007/0109259 A1 5/2007 Liu
 2007/0270285 A1 * 11/2007 Gill A63B 22/02
 482/54
 2009/0111670 A1 4/2009 Williams
 2010/0147430 A1 * 6/2010 Shultz B60C 7/22
 152/450
 2011/0009241 A1 * 1/2011 Lane A63B 24/0087
 482/8
 2013/0237378 A1 * 9/2013 Carrell A63C 17/061
 482/51
 2014/0111424 A1 4/2014 Goetgeluk
 2015/0190713 A1 * 7/2015 Goetgeluk A63F 13/40
 345/156
 2016/0035228 A1 * 2/2016 Cakmak G09B 5/00
 434/247

OTHER PUBLICATIONS

Interview With the Creator of the Virtuix Omni.
 babysoftmurderhands.com [online] p. 4 of 5. Uploaded Mar. 4, 2013
 [retrieved on Feb. 11, 2016]. Retrieved from Internet: <<http://babysoftmurderhands.com/2013/03/vr-interview-with-the-creator-of-the-virtuix-omni/>>.*
 Wizrish Locomotion Platform Kinect Virtual Reality in the home
 demo. Youtube.com. [online video] 1 page Uploaded Jan. 29, 2012
 [retrieved on Feb. 11, 2016]. Retrieved from Internet: <<https://www.youtube.com/watch?v=1zc6KXdpmaQ>>.*
 Treadmills—Wang, Bo. (Design -©Questel). orbit.com [online
 PDF] 11 pages. Publish dates: 2015 [retrieved on Feb. 11, 2016].
 Retrieved from Internet: <<http://sobjprd.questel.fr/export/QPTUJ214/pdf2/4c793a65-485c-4522-8714-df17864cf772-220249.pdf>>.*
 The ultimate Battlefield 3 simulator has been created. geek.com.
 [online] 2 pages Uploaded Oct. 31, 2011 [retrieved on Feb. 11,
 2016]. Retrieved from Internet: <<http://www.geek.com/games/the-ultimate-battlefield-3-simulator-has-been-created-1435731/>>.*
 Non-Final Office Action mailed Sep. 14, 2015; U.S. Appl. No.
 14/062,625.
 International Patent Application No. PCT/US2013/066662, PCT
 International Search Report and Written Opinion dated Feb. 19,
 2014 (14 pp.).

* cited by examiner

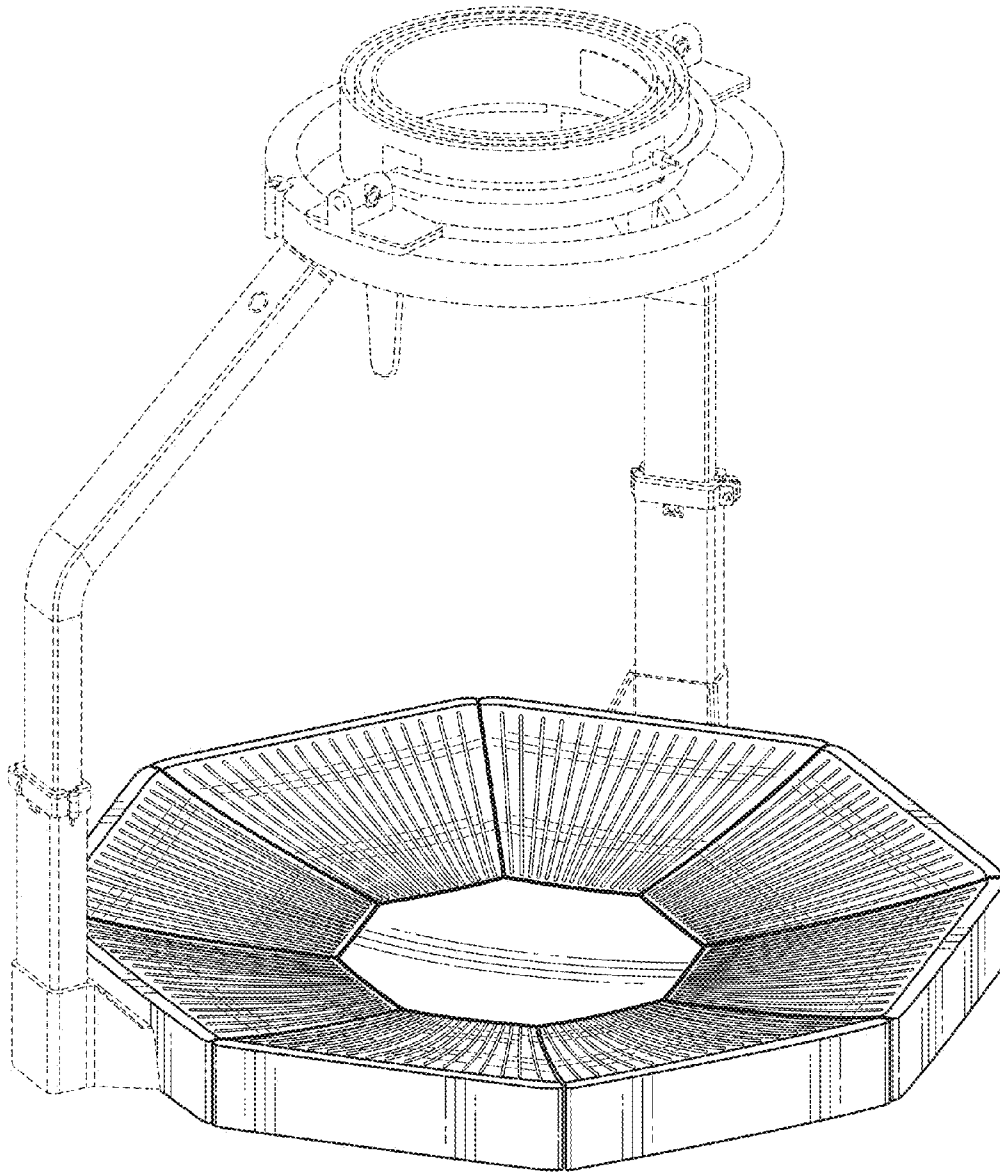


FIG. 1

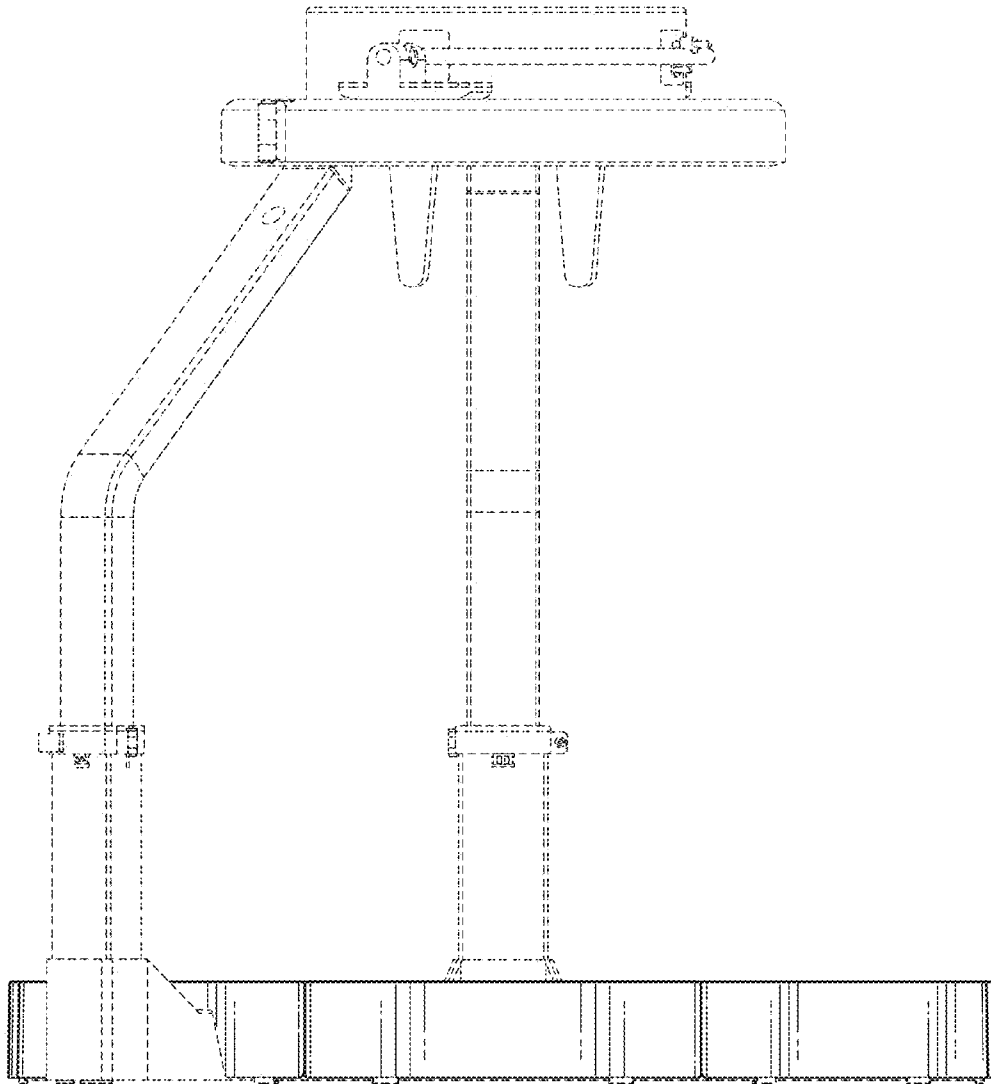


FIG. 2

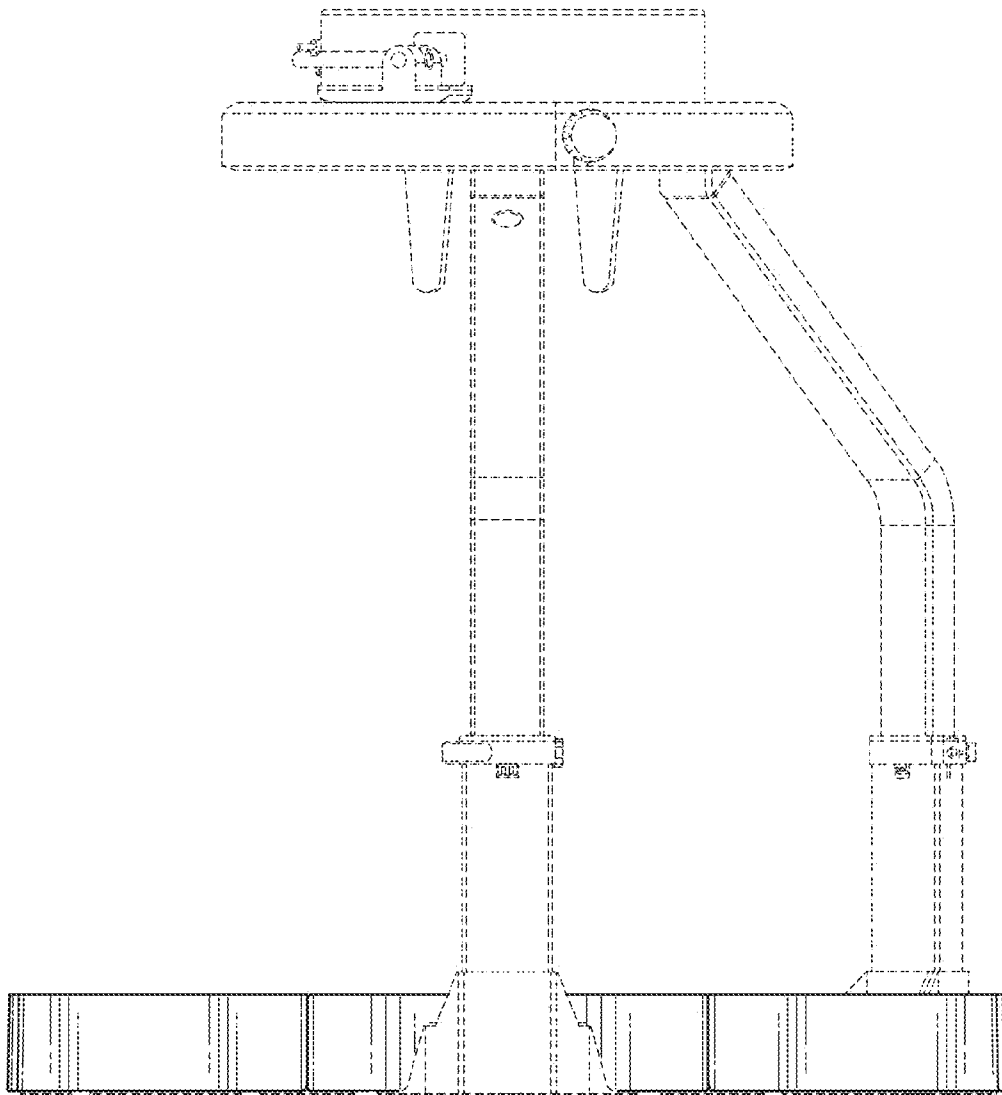


FIG. 3

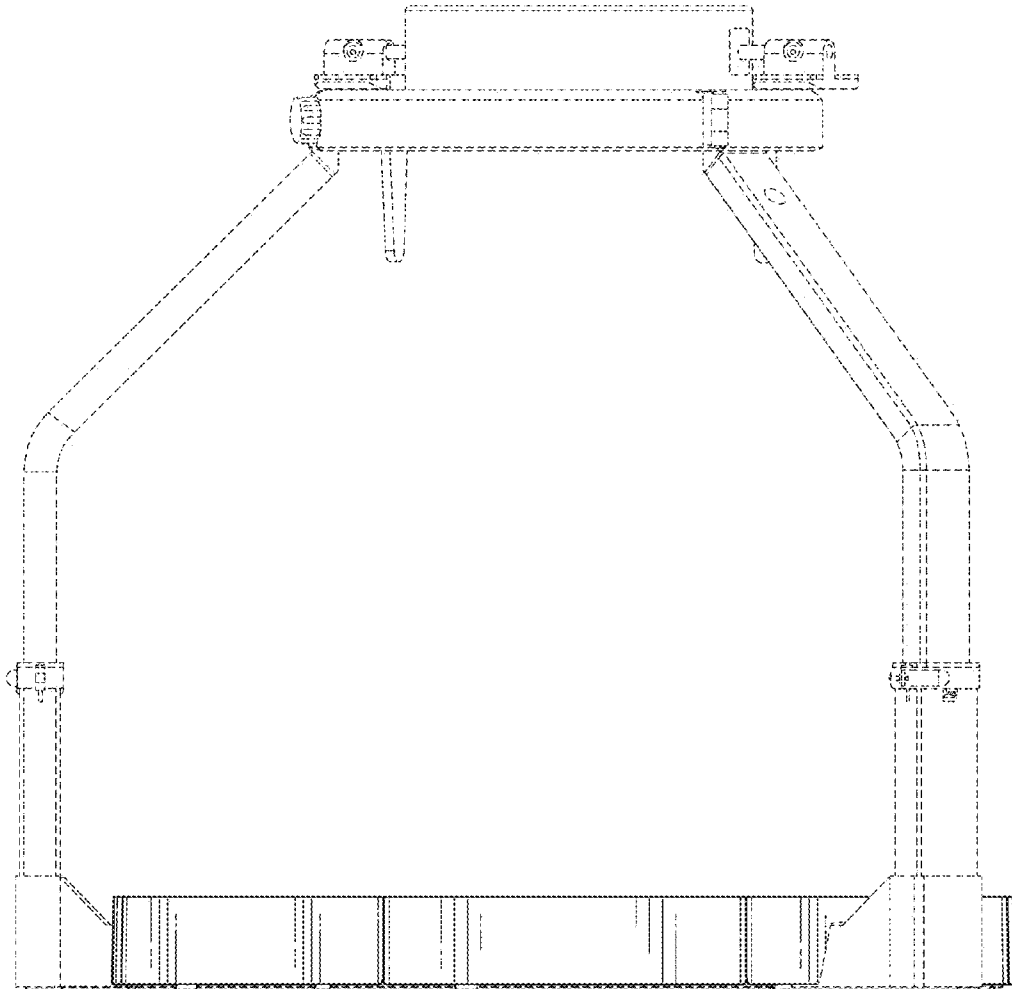


FIG. 4

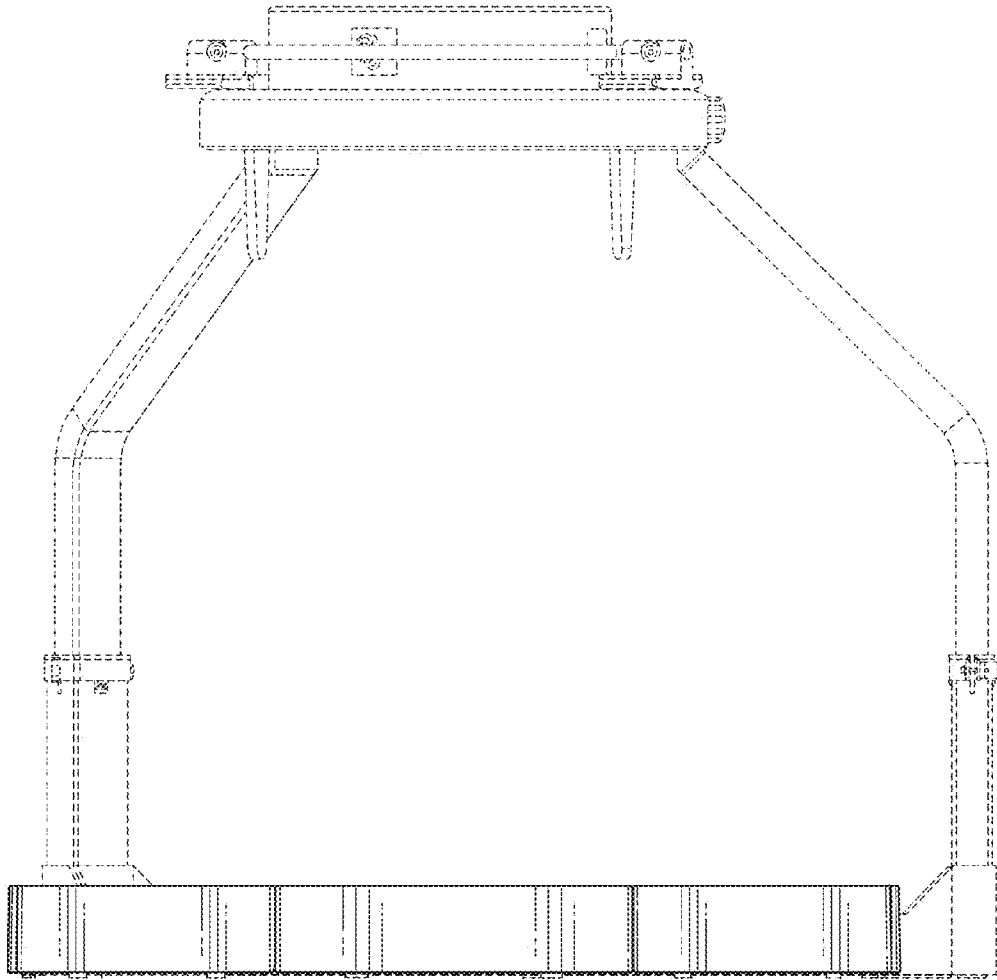


FIG. 5

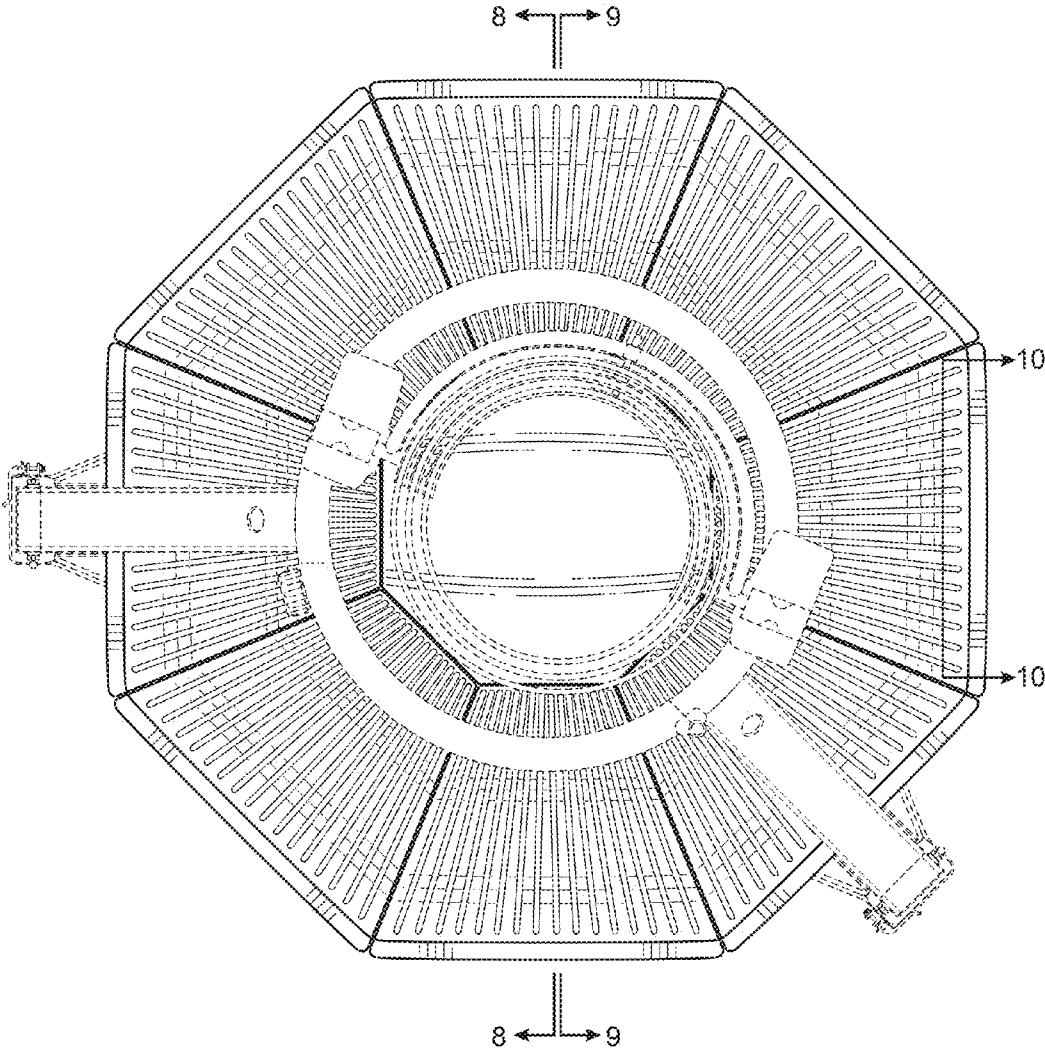


FIG. 6

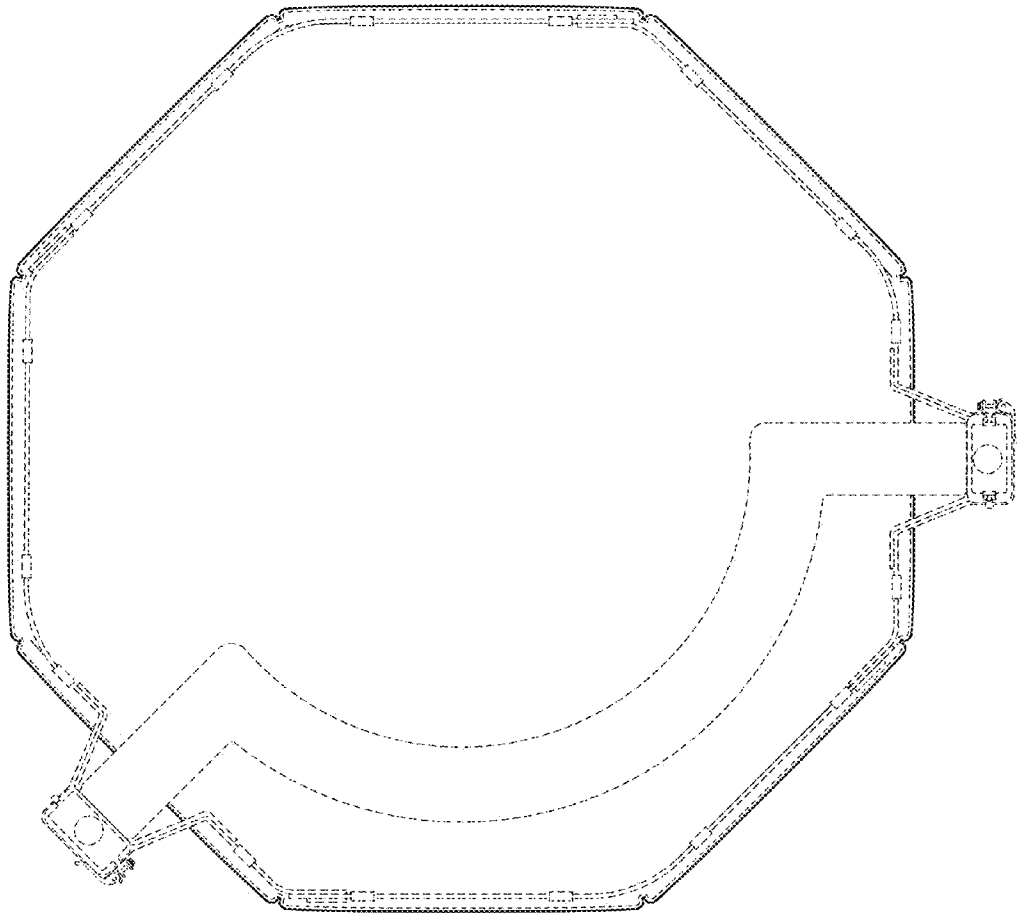


FIG. 7

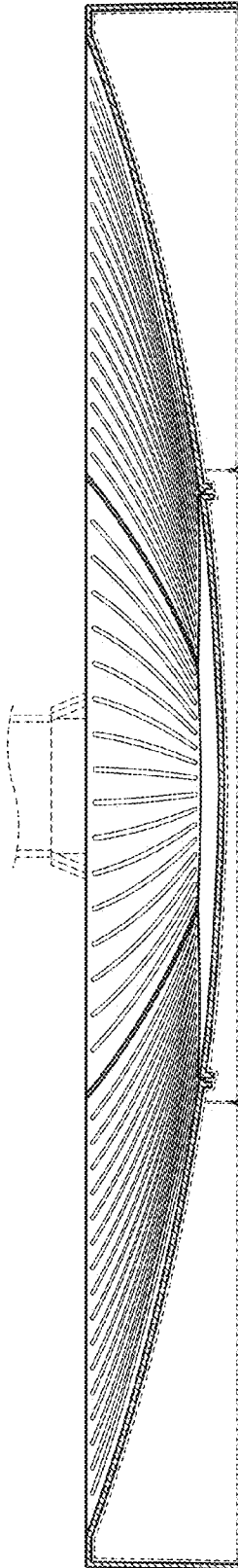


FIG. 8

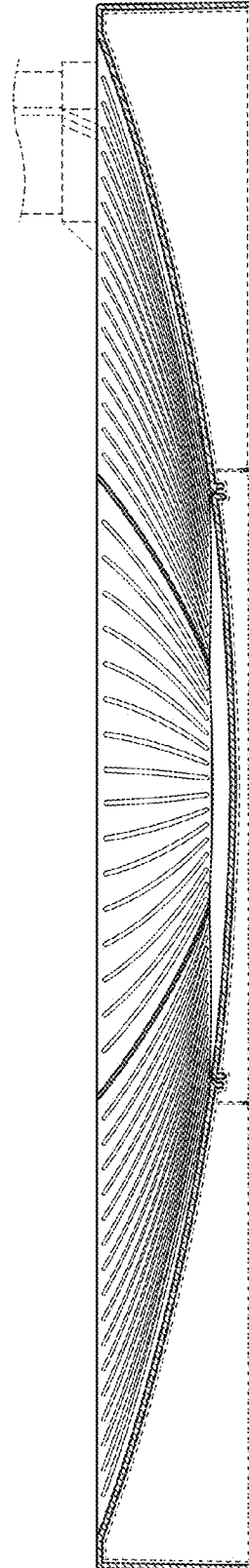


FIG. 9



FIG. 10