



US00D413417S

United States Patent [19]
Reede

[11] **Patent Number: Des. 413,417**
[45] **Date of Patent: ** Aug. 31, 1999**

[54] **FLOOR SCRUBBER**

[76] Inventor: **Dwayne E Reede**, P.O. Box 365,
Norwalk, Conn. 06852

[**] Term: **14 Years**

[21] Appl. No.: **29/077,204**

[22] Filed: **Sep. 29, 1997**

[51] **LOC (6) Cl.** **04-01**

[52] **U.S. Cl.** **D32/50**

[58] **Field of Search** D32/35, 40, 49,
D32/50, 51, 52; 15/115, 119.2, 116.2, 118,
229.3, 229.6, 228.8, 229.7, 229.8

1,420,180 6/1922 Casmire .
1,520,148 12/1924 Shickluna .
1,643,637 9/1927 Chadwick .
2,691,185 10/1954 Jones .
2,974,004 3/1961 Safianoff .
3,224,025 12/1965 Altrock .
3,528,120 9/1970 Lindstrom .
5,625,918 5/1997 Kieson et al. 15/119.2

Primary Examiner—Susan J. Lucas
Assistant Examiner—Cynthia E Ramirez

[57] **CLAIM**

The ornamental design for a floor scrubber, as shown and described.

DESCRIPTION

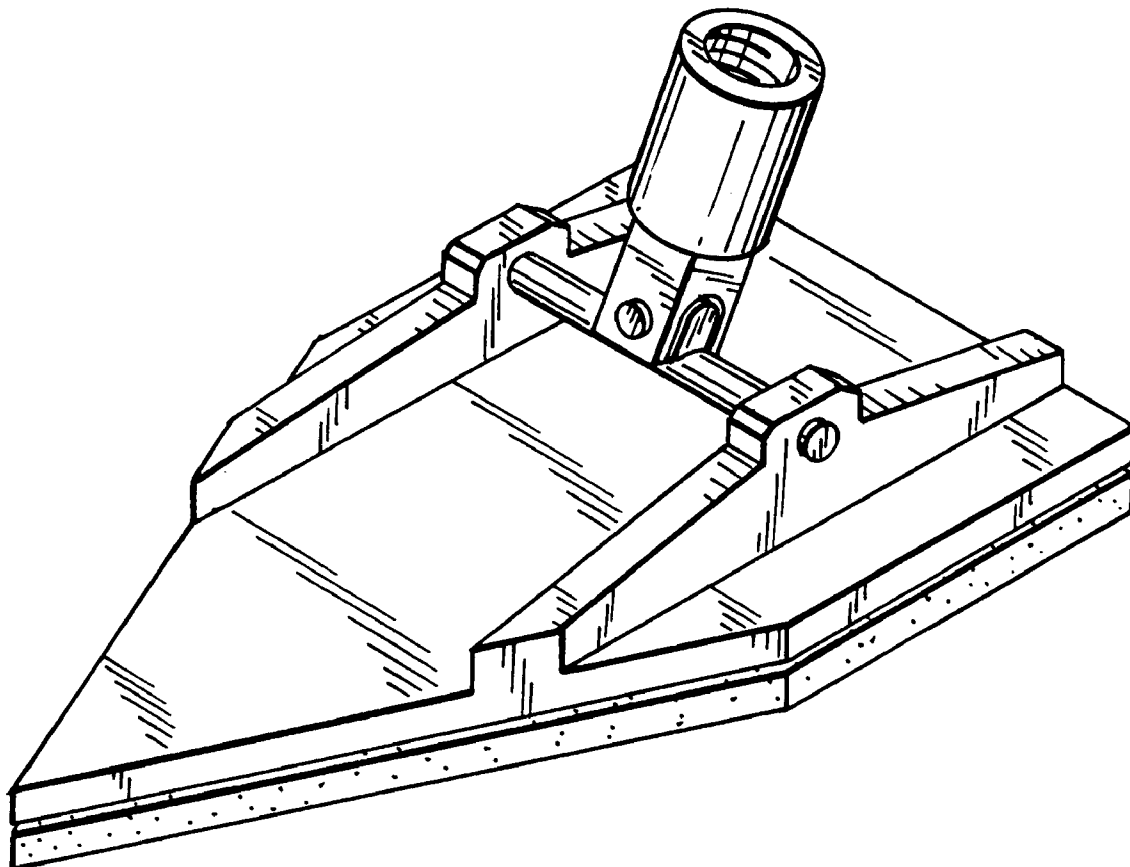
FIG. 1 is a front view for a floor scrubber showing my new design.
FIG. 2 is a rear view.
FIG. 3 is a side view, the other side being a mirror image.
FIG. 4 is a top view.
FIG. 5 is a bottom view; and,
FIG. 6 is a top, front and side perspective view.

[56] **References Cited**

U.S. PATENT DOCUMENTS

D. 152,843 2/1949 Wagner .
D. 185,727 7/1959 Yamen et al. D32/50
D. 188,237 6/1960 Littleton D32/50
D. 205,059 6/1966 Hughes .
D. 213,217 1/1969 Littleton .
D. 315,642 3/1991 Furgale D32/50 X
D. 374,750 10/1996 Vanderhoef et al. D32/50

1 Claim, 3 Drawing Sheets



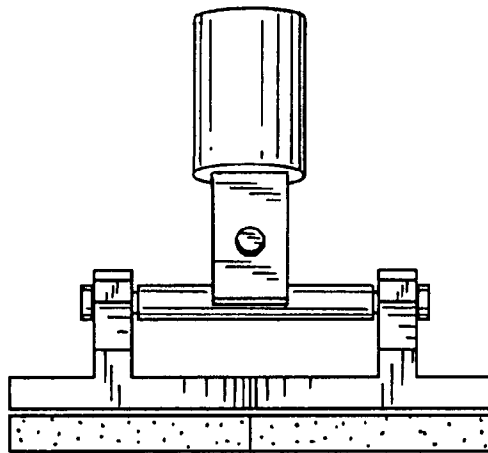


FIGURE 1

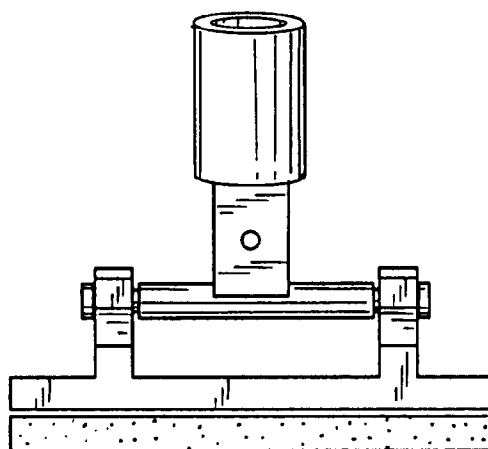


FIGURE 2

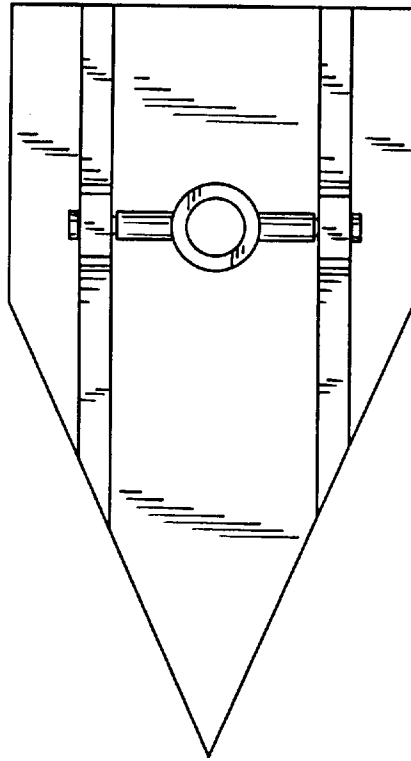


FIGURE 4

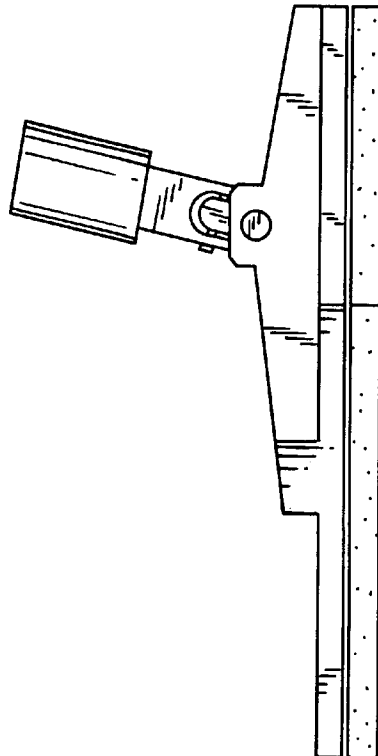


FIGURE 3

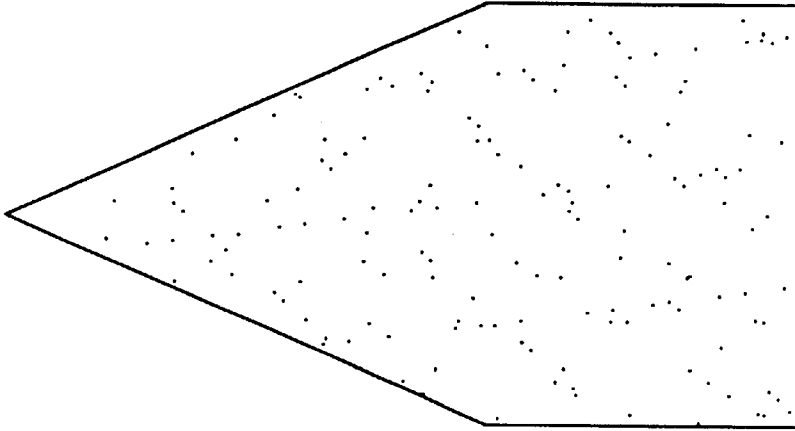


FIGURE 5

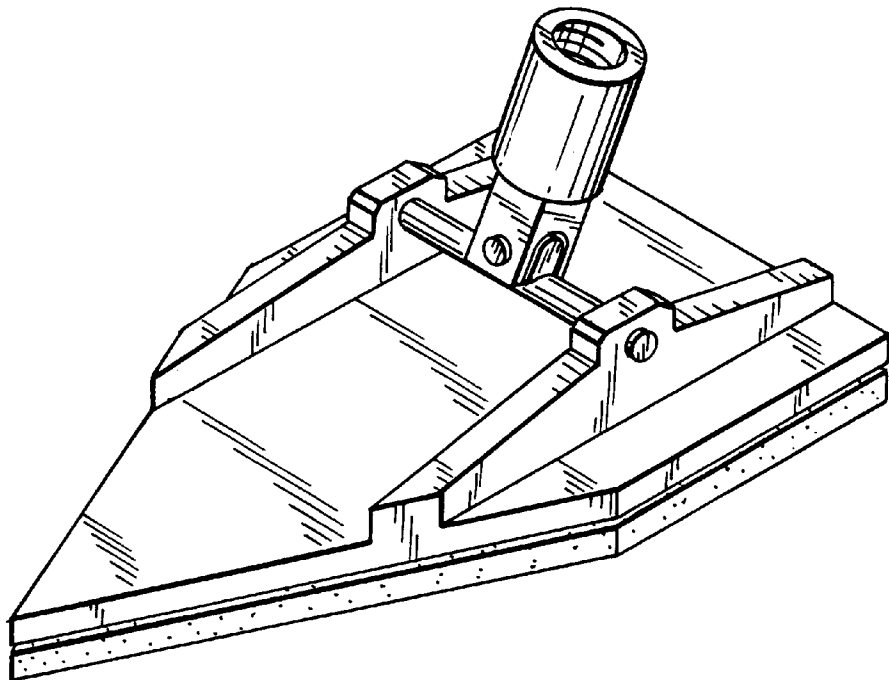


FIGURE 6