



US00D768542S

(12) **United States Design Patent**  
**Kawakami**

(10) **Patent No.:** **US D768,542 S**

(45) **Date of Patent:** **\*\* \*Oct. 11, 2016**

(54) **DEVICE FOR ATTACHING LAMP FOR BICYCLE**

D611,801 S *	3/2010	Chustak	.....	D8/355
8,267,418 B1 *	9/2012	Chuang	.....	280/279
D674,322 S *	1/2013	Hilgart et al.	.....	D12/114
D700,036 S *	2/2014	Oshima	.....	D8/323
2007/0108244 A1 *	5/2007	Chuang	.....	224/420
2014/0061271 A1 *	3/2014	Tate	.....	224/545

(71) Applicant: **Cateye Company, Ltd.**, Osaka (JP)

(72) Inventor: **Kenta Kawakami**, Osaka (JP)

(73) Assignee: **Cateye Co., Ltd.**, Osaka (JP)

(\* ) Notice: This patent is subject to a terminal disclaimer.

(\*\* ) Term: **14 Years**

(21) Appl. No.: **29/475,985**

(22) Filed: **Dec. 10, 2013**

(30) **Foreign Application Priority Data**

Jun. 14, 2013 (JP) ..... 2013-013471

(51) **LOC (10) Cl.** ..... **12-11**

(52) **U.S. Cl.**

USPC ..... **D12/114**; D12/223

(58) **Field of Classification Search**

USPC ..... D12/20, 42, 317, 106, 114, 115, 172,

D12/223, 400; D8/71, 106, 14, 306, 349,

D8/355, 382, 499, 303; D26/142, 145

CPC ..... B62J 9/003; B62J 7/06; B62J 11/00;

B62J 2099/0033; B62J 2700/00; B62K 19/40

See application file for complete search history.

(56) **References Cited**

U.S. PATENT DOCUMENTS

D333,420 S *	2/1993	Bales et al.	.....	D8/349
5,577,297 A *	11/1996	Lautenschlager et al.	.....	16/382
D393,826 S *	4/1998	Carter	.....	D12/223
D514,500 S *	2/2006	Schultz	.....	D12/317
D520,440 S *	5/2006	Lee	.....	D12/223

FOREIGN PATENT DOCUMENTS

DE	102006032834 A1 *	9/2007	.....	B62J 9/003
DE	102007040738 A1 *	3/2009	.....	B62J 2099/0033
TW	595693	6/2004		
TW	M310164	4/2007		
TW	D148481	8/2012		
WO	WO 2014107230 A1 *	7/2014	.....	B62J 11/00

\* cited by examiner

*Primary Examiner* — Sheryl Lane

*Assistant Examiner* — Ieisha Price

(74) *Attorney, Agent, or Firm* — Arnstein & Lehr, LLP

(57) **CLAIM**

The ornamental design for a device for attaching lamp for bicycle, as shown.

**DESCRIPTION**

FIG. 1 is a perspective view of a device for attaching lamp for bicycle showing my new design.

FIG. 2 is a front view thereof;

FIG. 3 is a rear view thereof;

FIG. 4 is a top plan view thereof;

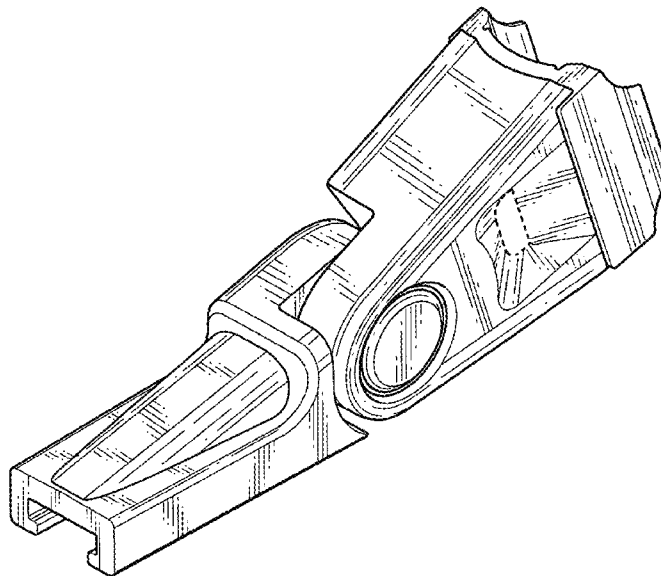
FIG. 5 is a bottom plan view thereof;

FIG. 6 is a right side view thereof; and,

FIG. 7 is a left side view thereof.

The broken lines in the drawings illustrate portions of the device for attaching lamp for bicycle and form no part of the claimed design.

**1 Claim, 4 Drawing Sheets**



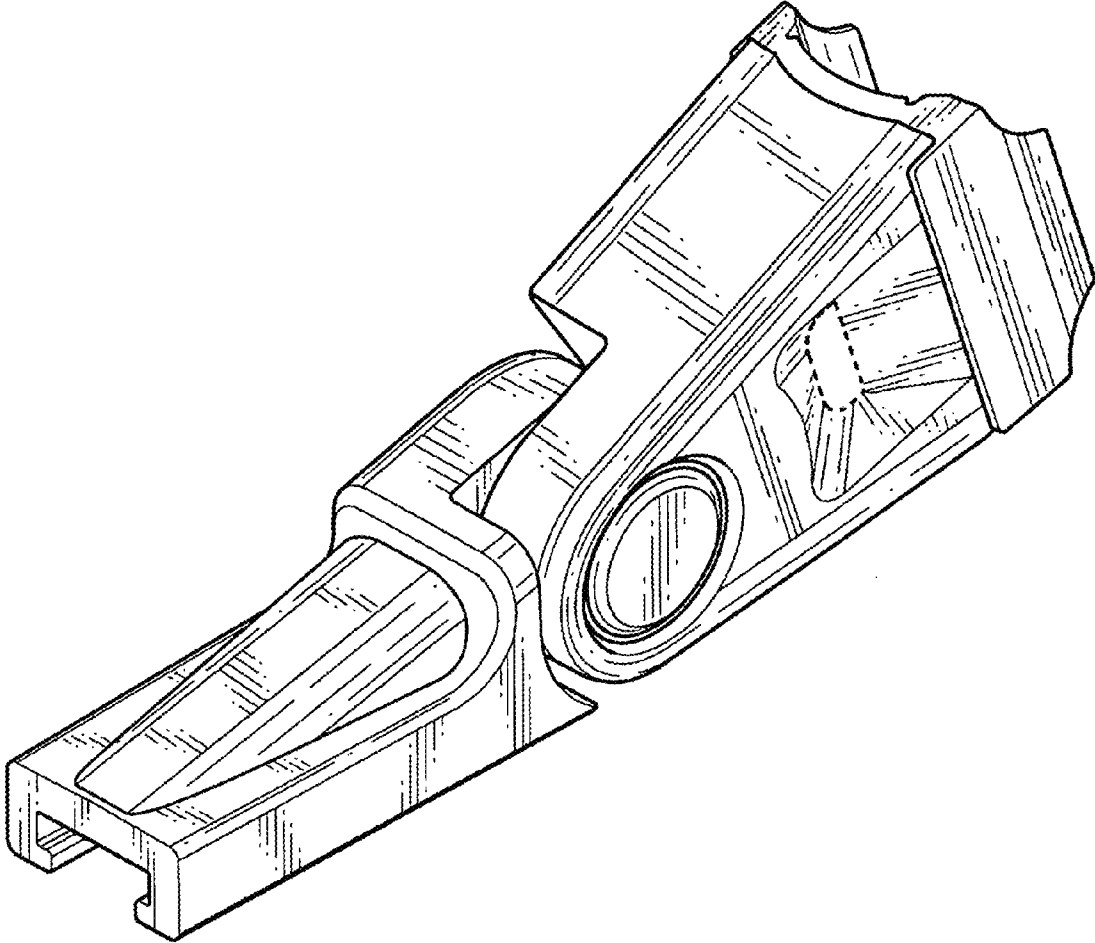


Fig. 1

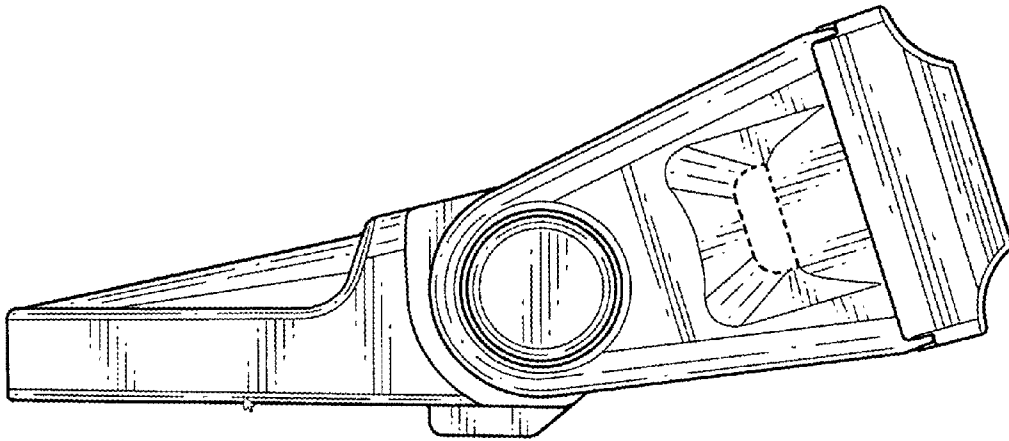


Fig. 2

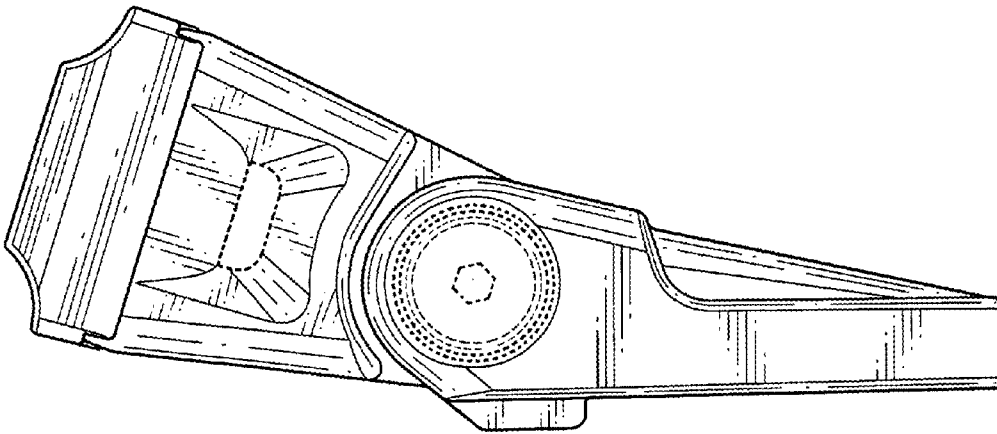


Fig. 3

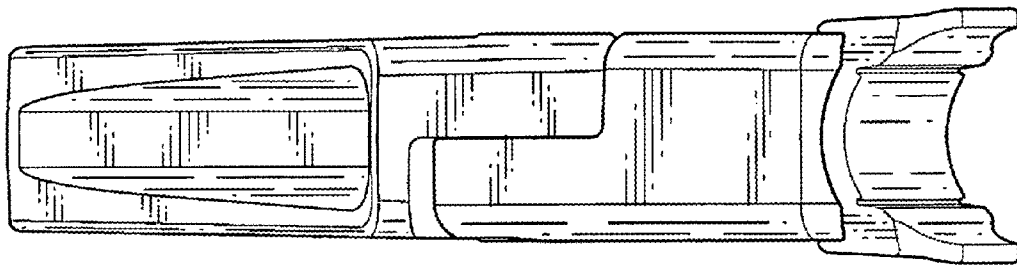


Fig. 4

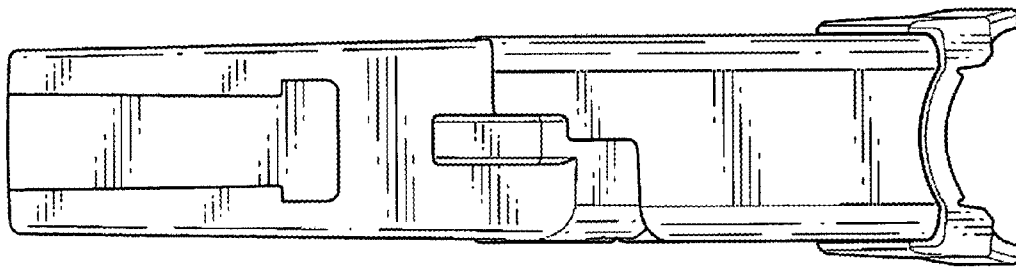


Fig. 5

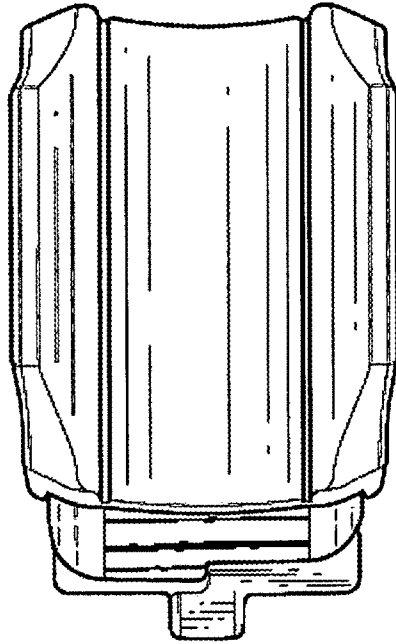


Fig. 6

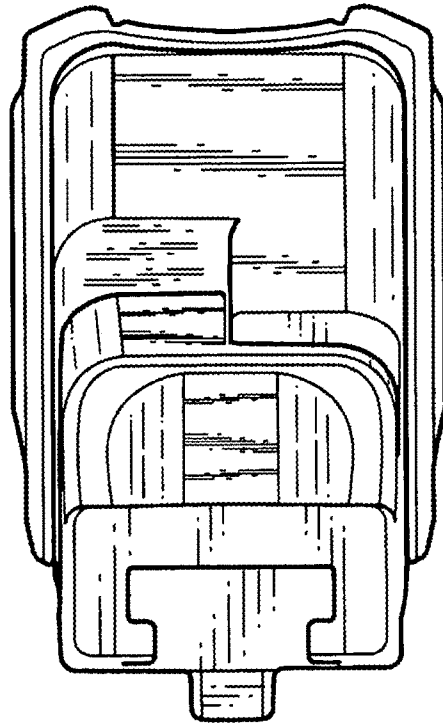


Fig. 7