



(12) **United States Design Patent** (10) **Patent No.:** **US D994,186 S**
Rotondi et al. (45) **Date of Patent:** **** Aug. 1, 2023**

(54) **LUMINAIRE**
 (71) Applicant: **Beta-Calco Inc.**, North York (CA)
 (72) Inventors: **Mirko Rotondi**, Rome (IT); **Remy Silver**, Toronto (CA); **Ubong Okon-Umoren**, Hamilton (CA)
 (73) Assignee: **Beta-Calco Inc.**, North York (CA)
 (**) Term: **15 Years**
 (21) Appl. No.: **29/807,529**
 (22) Filed: **Sep. 13, 2021**
 (51) **LOC (14) Cl.** **25-04**
 (52) **U.S. Cl.** **D26/76**
 (58) **Field of Classification Search**
 USPC D26/1-3, 24, 72, 76-82, 84-90, 92, 104, 106, 113, 138, 154
 CPC F21Y 2103/00; F21S 8/031; F21V 19/008
 See application file for complete search history.

(56) **References Cited**

U.S. PATENT DOCUMENTS

D521,675 S *	5/2006	Chen	D26/76
D536,819 S *	2/2007	Krahe, II	D26/75
D558,380 S *	12/2007	Starck	D26/76
D621,989 S *	8/2010	Proner	D26/76
D629,553 S *	12/2010	Gielen	D26/76
D664,282 S *	7/2012	Santoro	D26/90
D727,551 S *	4/2015	Clark	D26/88
D740,479 S *	10/2015	Beno	D26/90
D774,682 S *	12/2016	Chen	D26/90
D808,566 S *	1/2018	Goetz-Schaefer	D26/76
D870,356 S *	12/2019	Meise	D26/90
D876,700 S *	2/2020	Patterson	D26/76
D880,043 S *	3/2020	Guerra	D26/76

(Continued)

OTHER PUBLICATIONS

Royal Pearl Modern Linear LED Chandelier, available in Amazon.com, date first available Nov. 30, 2020 [online], [site visited Dec.

23, 2022], Available from the internet URL: <https://a.co/d/8sClvvi> (Year: 2020).*

(Continued)

Primary Examiner — Kathleen L Jones
Assistant Examiner — Jasmine L. Comedy
 (74) *Attorney, Agent, or Firm* — Renner, Otto, Boisselle & Sklar, LLP

(57) **CLAIM**

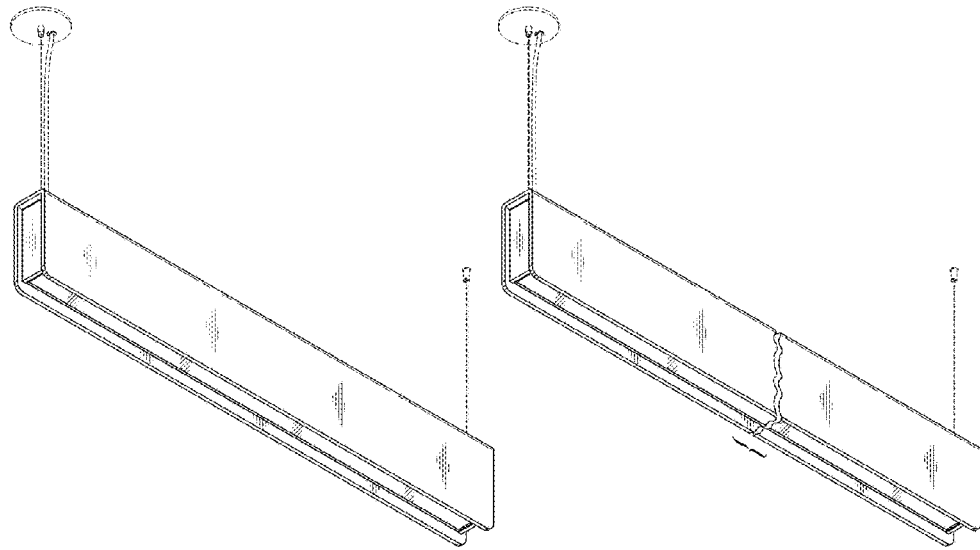
The ornamental design for a luminaire, as shown and described.

DESCRIPTION

FIG. 1 is a bottom perspective view of a luminaire showing a first embodiment of the design;
 FIG. 2 is a top perspective view thereof;
 FIG. 3 is a front view thereof;
 FIG. 4 is a rear view thereof;
 FIG. 5 is a left side view thereof;
 FIG. 6 is a right side view thereof;
 FIG. 7 is a bottom view thereof;
 FIG. 8 is a top side view thereof;
 FIG. 9 is a bottom perspective view of a luminaire showing a second embodiment of the design;
 FIG. 10 is a top perspective view thereof;
 FIG. 11 is a front view thereof;
 FIG. 12 is a rear view thereof;
 FIG. 13 is a left side view thereof;
 FIG. 14 is a right side view thereof;
 FIG. 15 is a bottom view thereof; and,
 FIG. 16 is a top view thereof.

The portions of the luminaire shown in dotted lines do not form part of the claimed design. The drawings contain symbolic break lines in FIGS. 9-16. The portion between the break lines forms no part of the claimed design.

1 Claim, 12 Drawing Sheets



(56)

References Cited

U.S. PATENT DOCUMENTS

D943,798 S * 2/2022 Santos D26/90
D976,466 S * 1/2023 Hsu D6/323

OTHER PUBLICATIONS

Paladio Prism, available in architonic.com, announced Year 2020 [online], [site visited Dec. 23, 2022], Internet URL: <https://www.architonic.com/en/product/sattler-paladio-prism/20135214> (Year: 2020).*

Jonathan Y JYL7019B Draper 40" Dimmable Adjustable Integrated LED Metal Linear Pendant, available in Amazon.com, date first available May 6, 2019 [online], [site visited Dec. 23, 2022], Available from the internet URL: <https://www.amazon.com/JONATHAN-JYL7019B-Pendant-Brushed-Aluminum/dp/B07RLLDY4M?th=1> (Year: 2019).*

* cited by examiner

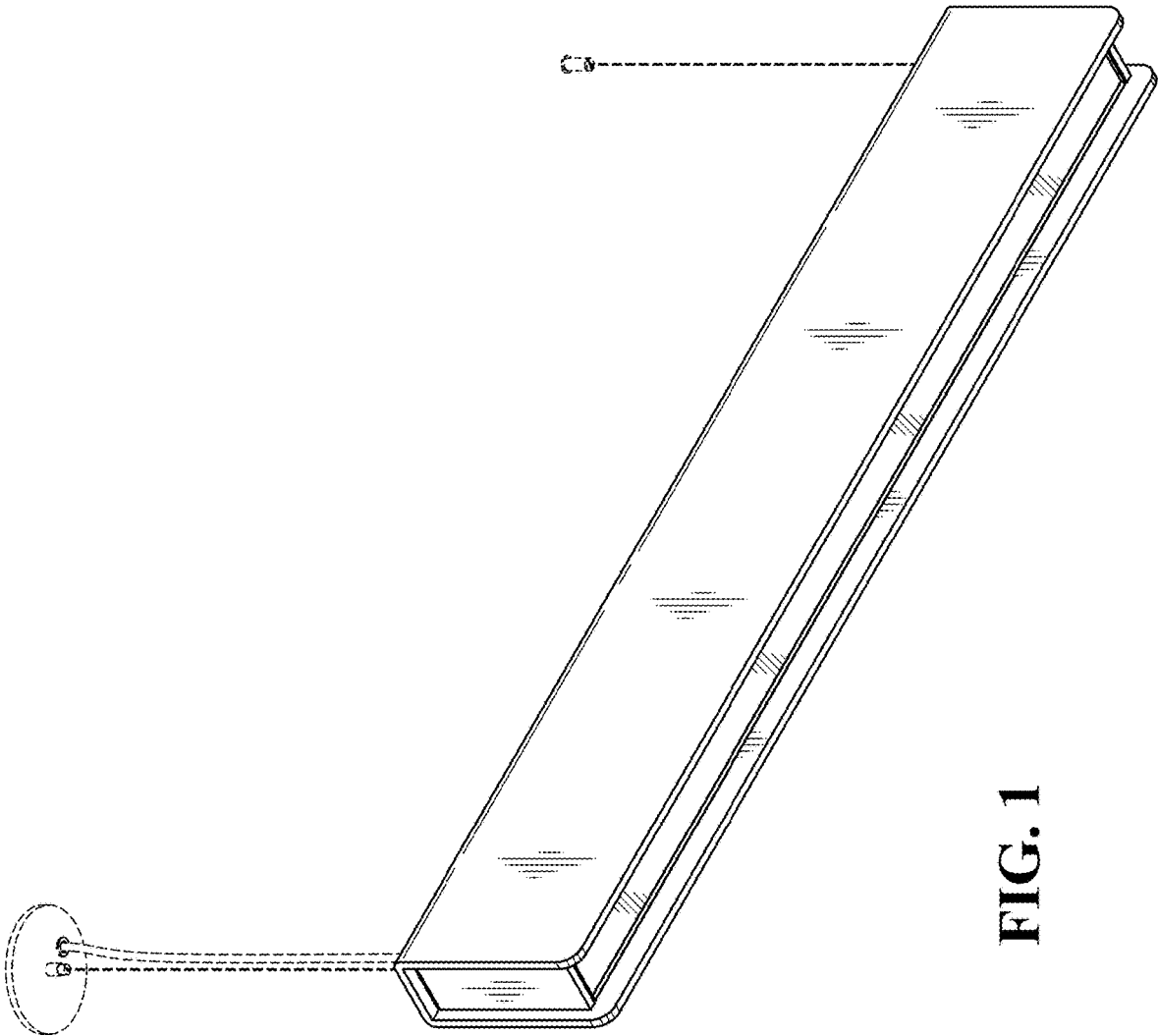


FIG. 1

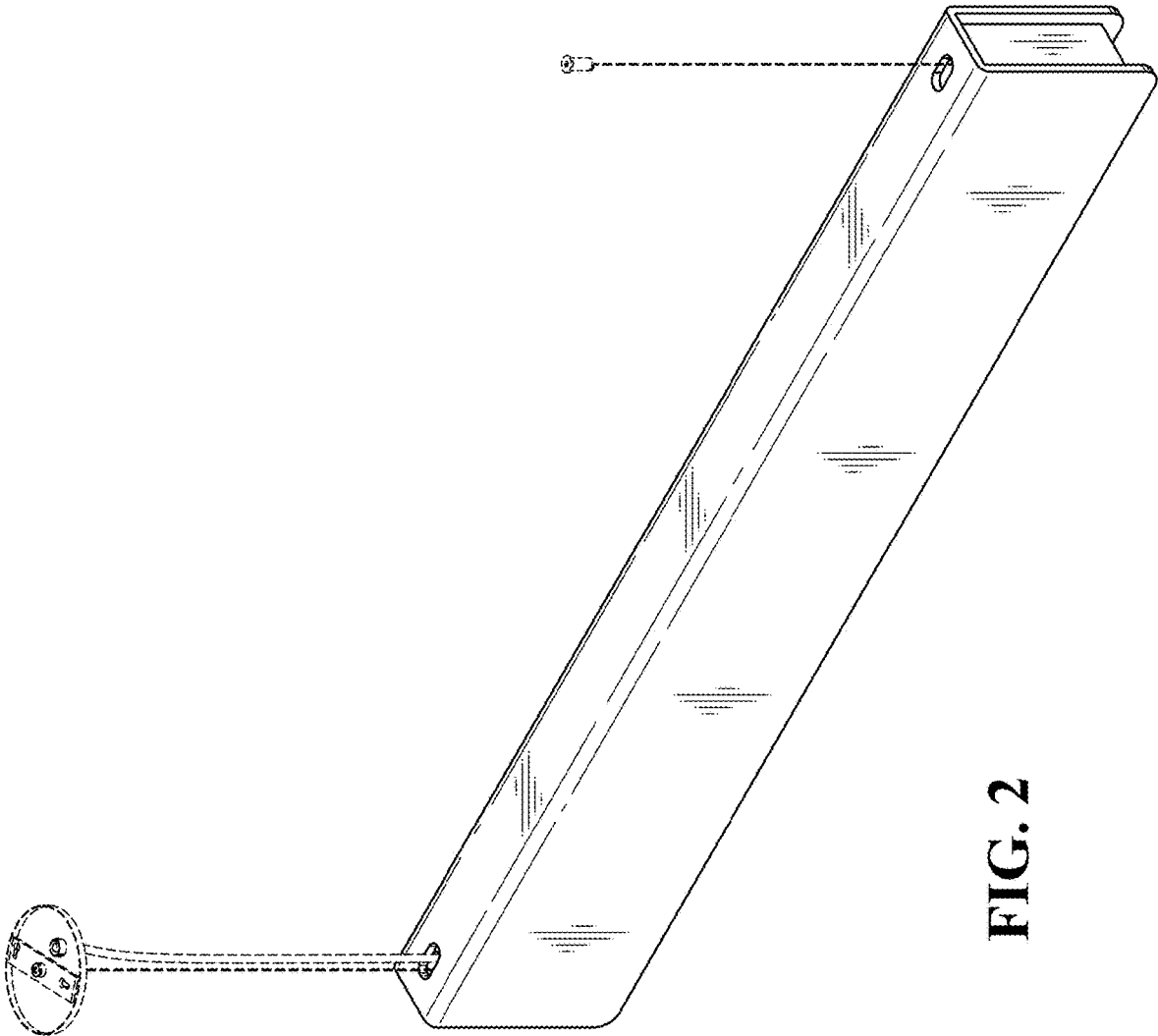


FIG. 2

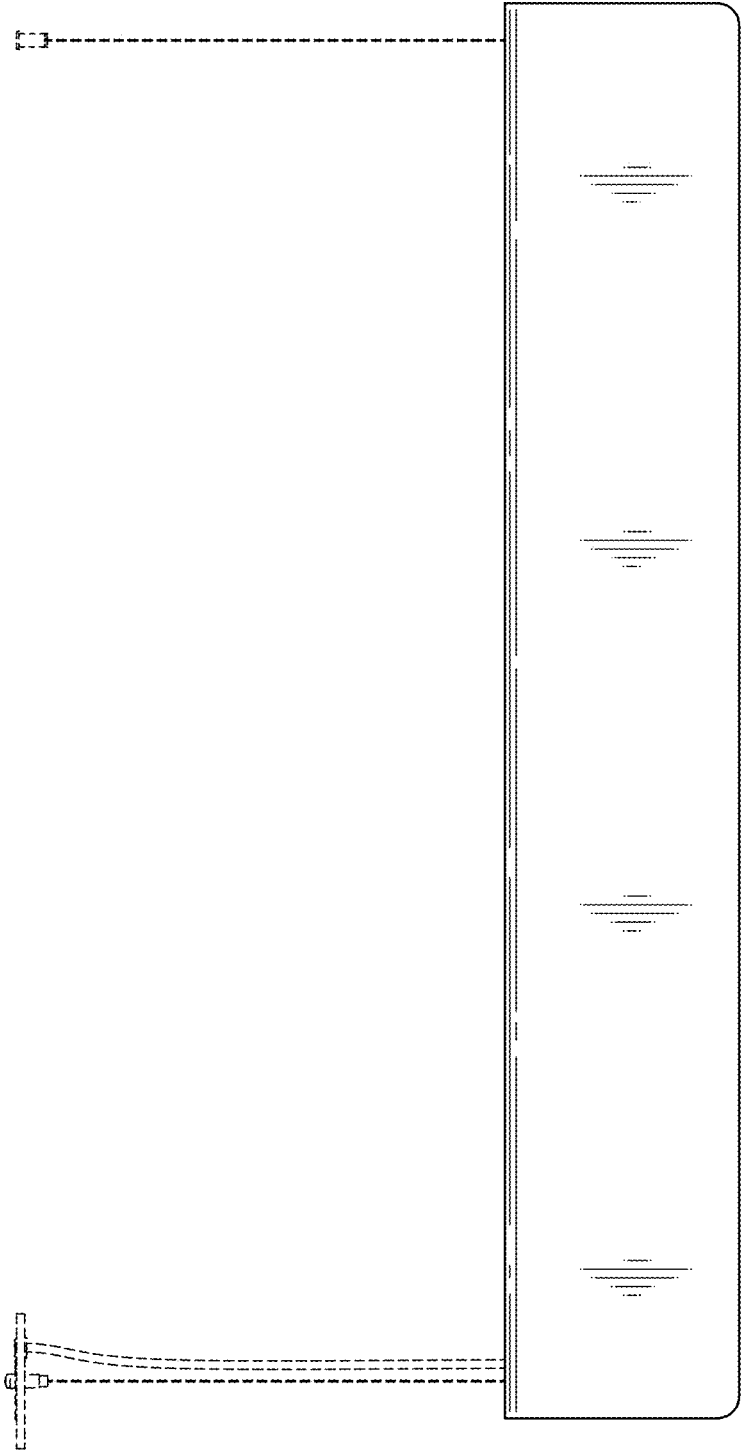


FIG. 3

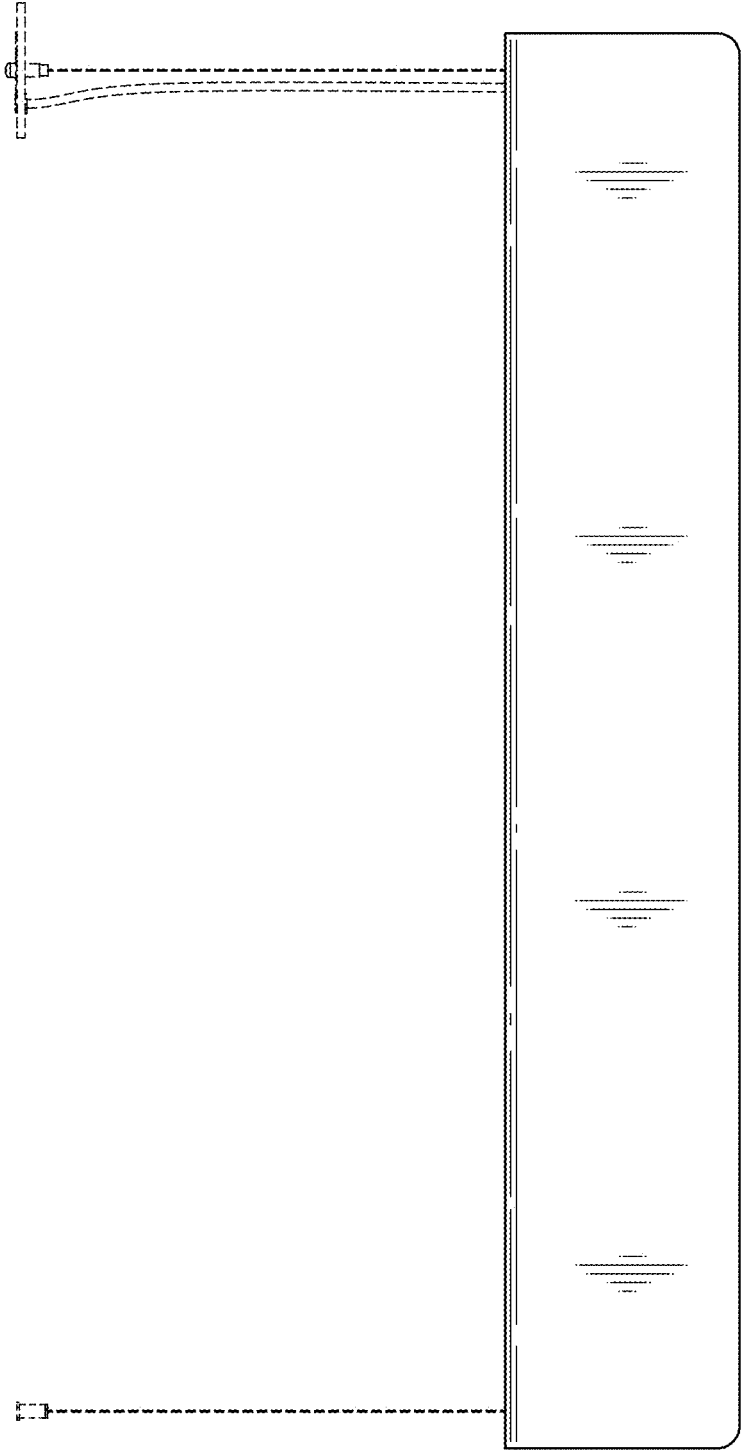


FIG. 4



FIG. 6



FIG. 5

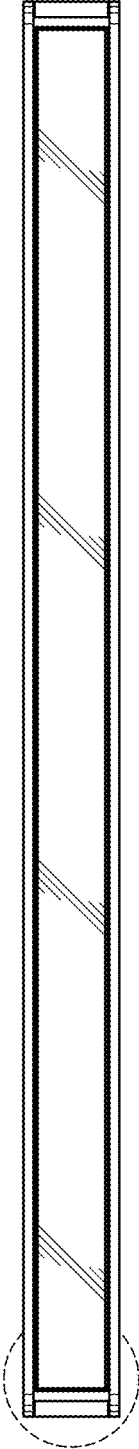


FIG. 7

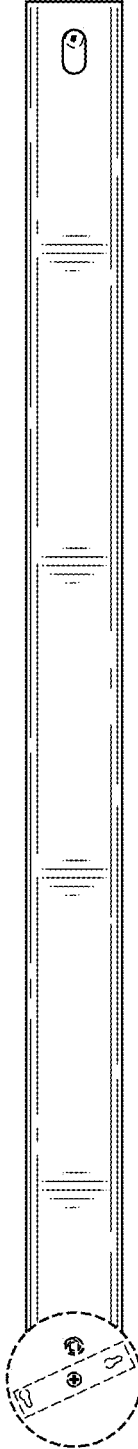


FIG. 8

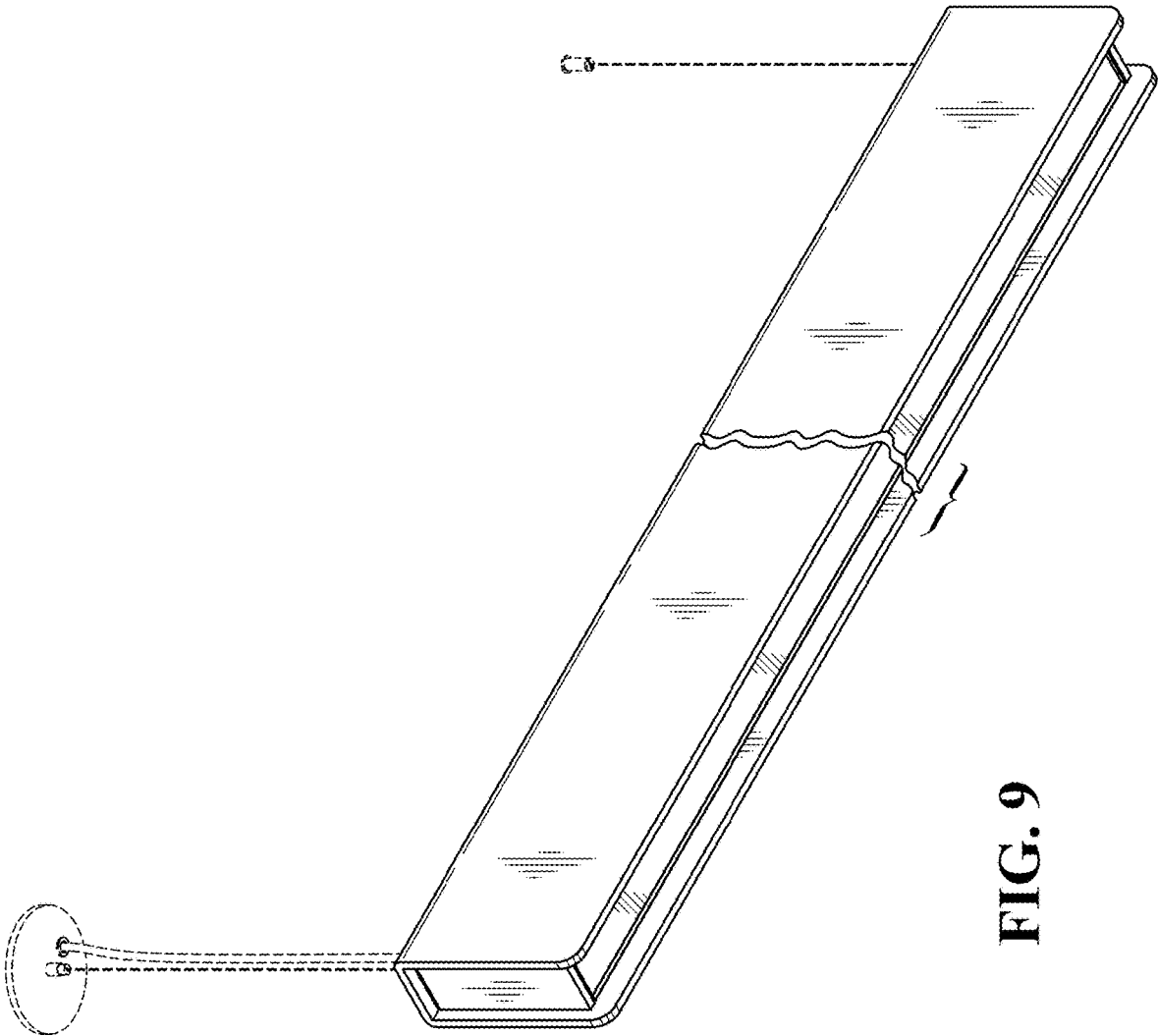


FIG. 9

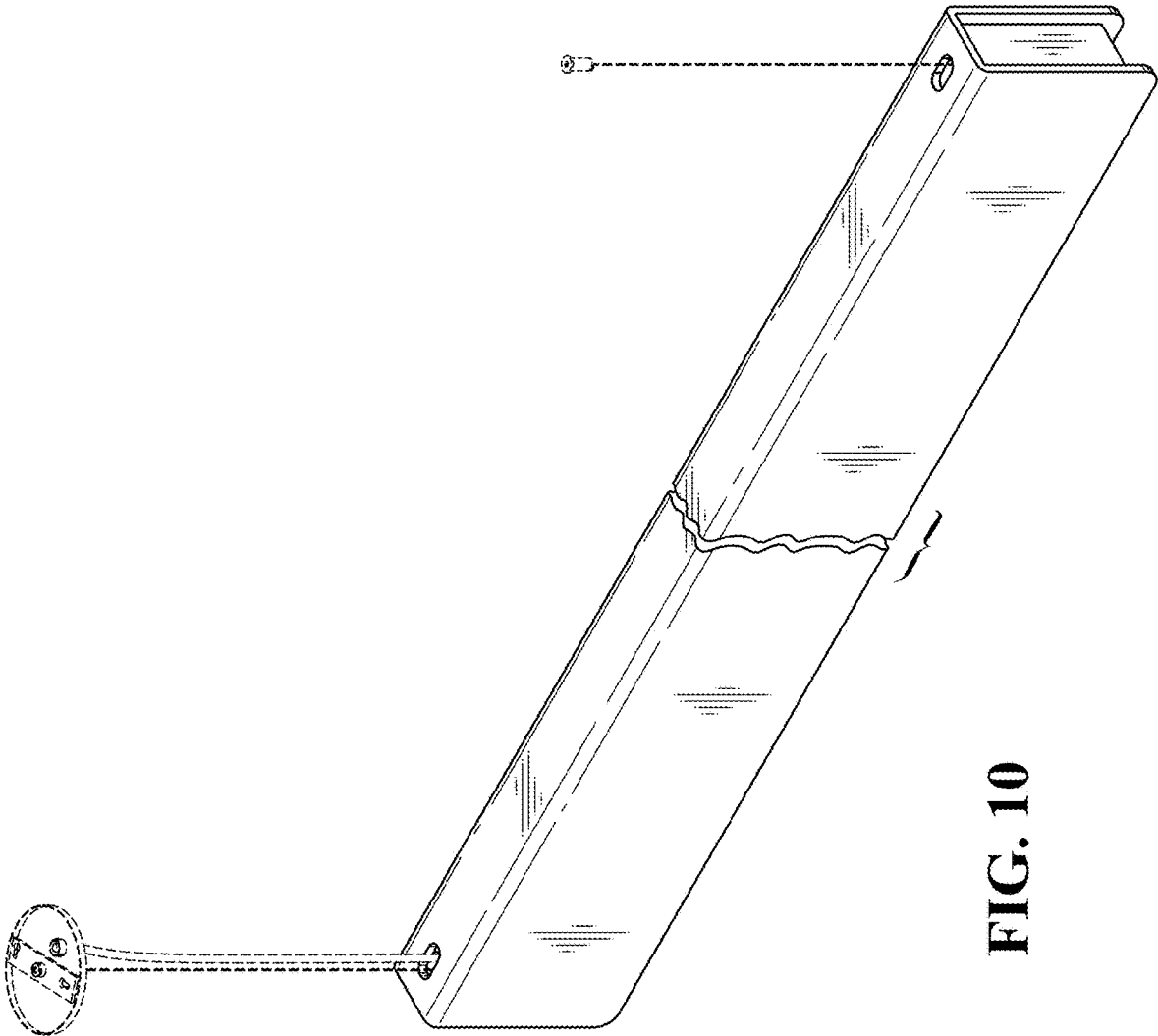


FIG. 10

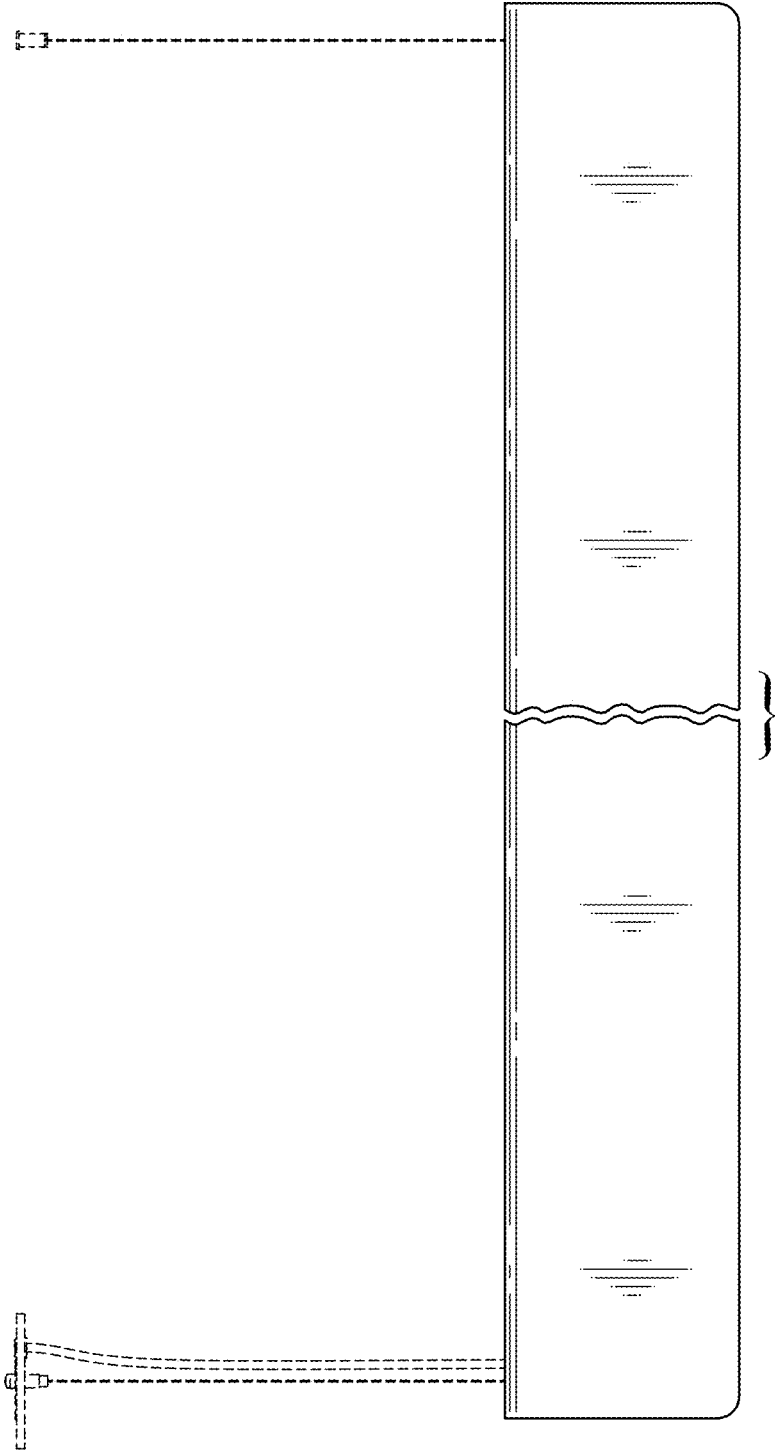


FIG. 11

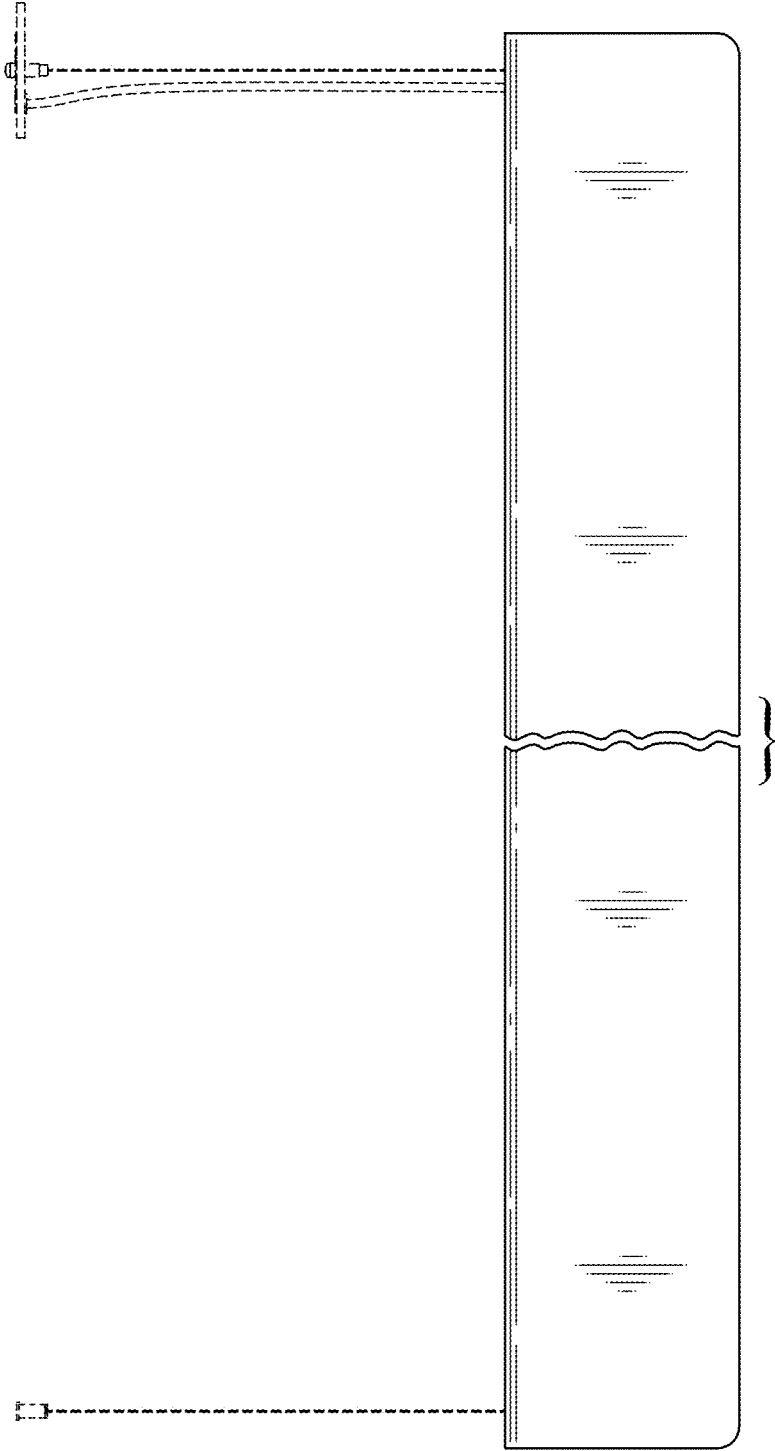


FIG. 12



FIG. 14



FIG. 13

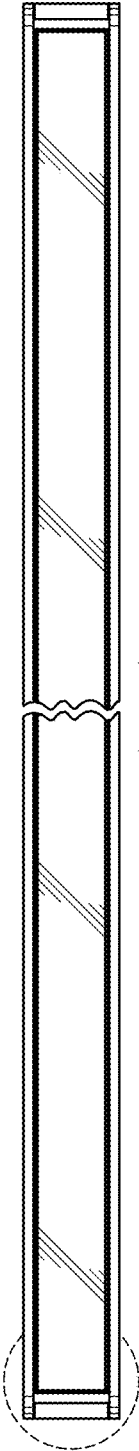


FIG. 15

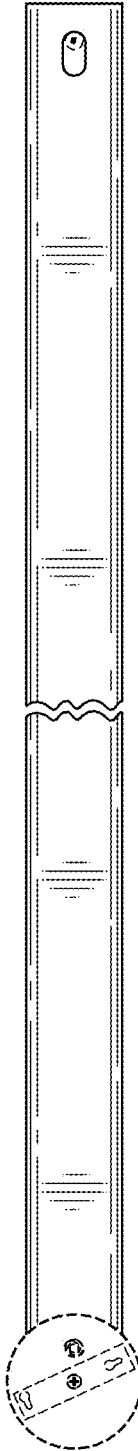


FIG. 16