



US00D604393S

(12) **United States Design Patent**
Johnson et al.

(10) **Patent No.:** **US D604,393 S**

(45) **Date of Patent:** **** Nov. 17, 2009**

(54) **PAINT SPRAY GUN**

(75) Inventors: **Daniel R. Johnson**, Blain, MN (US);
Pamela J. Muetzel, Otsego, MN (US);
Diane L. Olson, Princeton, MN (US);
Katherine J. Grathwohl, Big Lake, MN (US)

(73) Assignee: **Graco Minnesota Inc.**, Minneapolis, MN (US)

(**) Term: **14 Years**

(21) Appl. No.: **29/329,621**

(22) Filed: **Dec. 18, 2008**

(51) **LOC (9) Cl.** **23-01**

(52) **U.S. Cl.** **D23/225**

(58) **Field of Classification Search** D23/213,
D23/225, 223, 226; 239/302, 308, 310, 332,
239/333

See application file for complete search history.

(56) **References Cited**

U.S. PATENT DOCUMENTS

3,381,845 A * 5/1968 MacDonald 220/301
D305,452 S * 1/1990 Morgan D23/225
D331,095 S * 11/1992 Steinberg D23/225

D341,186 S * 11/1993 Albers D23/226
5,307,994 A * 5/1994 Hieronymus 239/340
6,010,082 A * 1/2000 Peterson 239/346
D503,215 S * 3/2005 Stevens et al. D23/225

OTHER PUBLICATIONS

Graco Inc. Instructions—Parts List for HVLP-Turbine Gun, 2004.

* cited by examiner

Primary Examiner—Robin V Webster

(74) *Attorney, Agent, or Firm*—Douglas B. Farrow

(57) **CLAIM**

The ornamental design for the paint spray gun, as shown and described.

DESCRIPTION

FIG. 1 is a front perspective view of the paint spray gun;

FIG. 2 is a front elevation view thereof;

FIG. 3 is a bottom elevation view thereof;

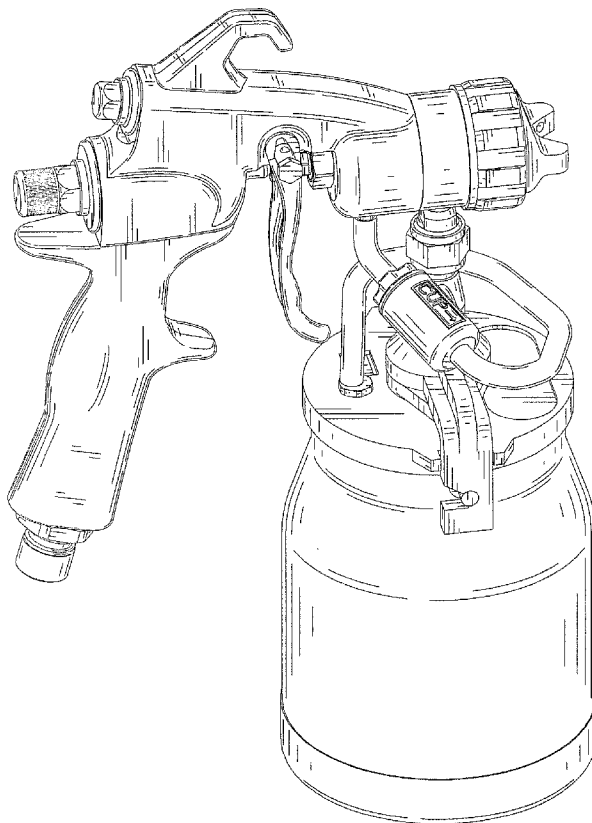
FIG. 4 is a right side elevation view thereof;

FIG. 5 is a left side elevation view thereof;

FIG. 6 is a top elevation view thereof; and,

FIG. 7 is a rear elevation view thereof.

1 Claim, 7 Drawing Sheets



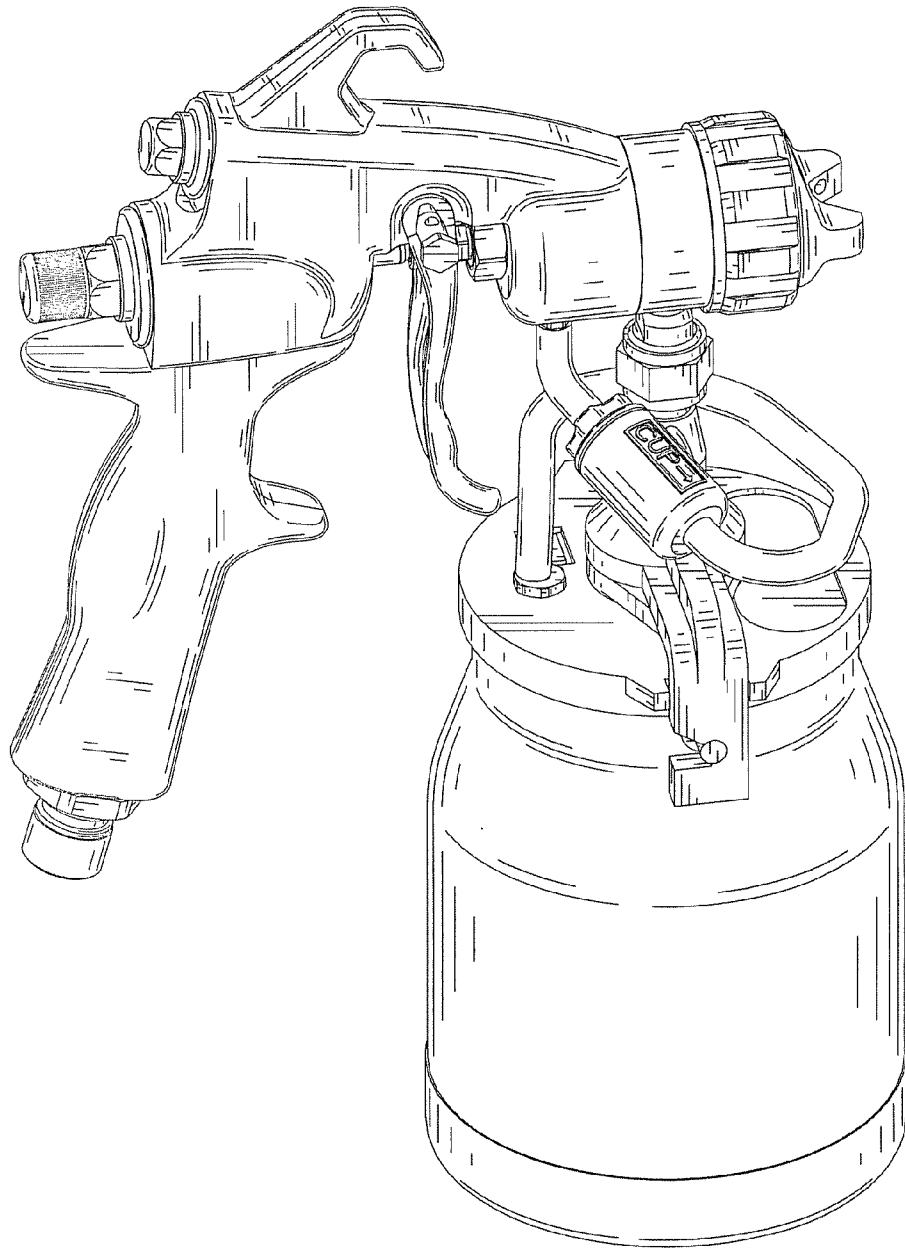


FIG. 1

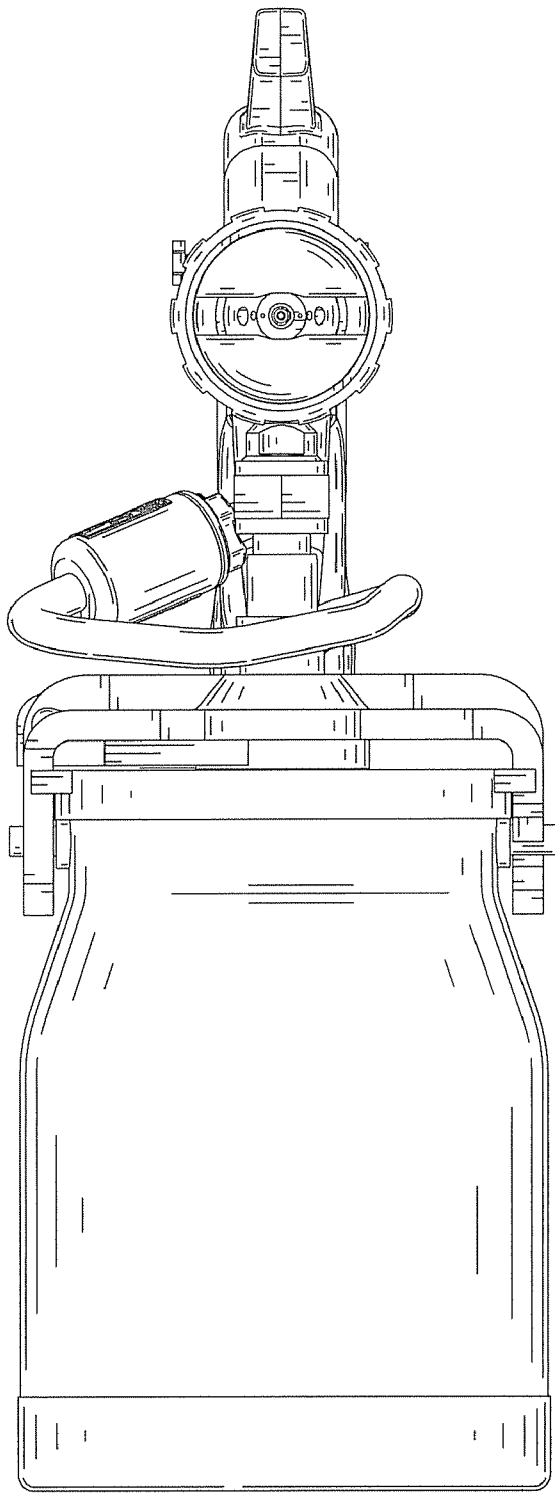


FIG. 2

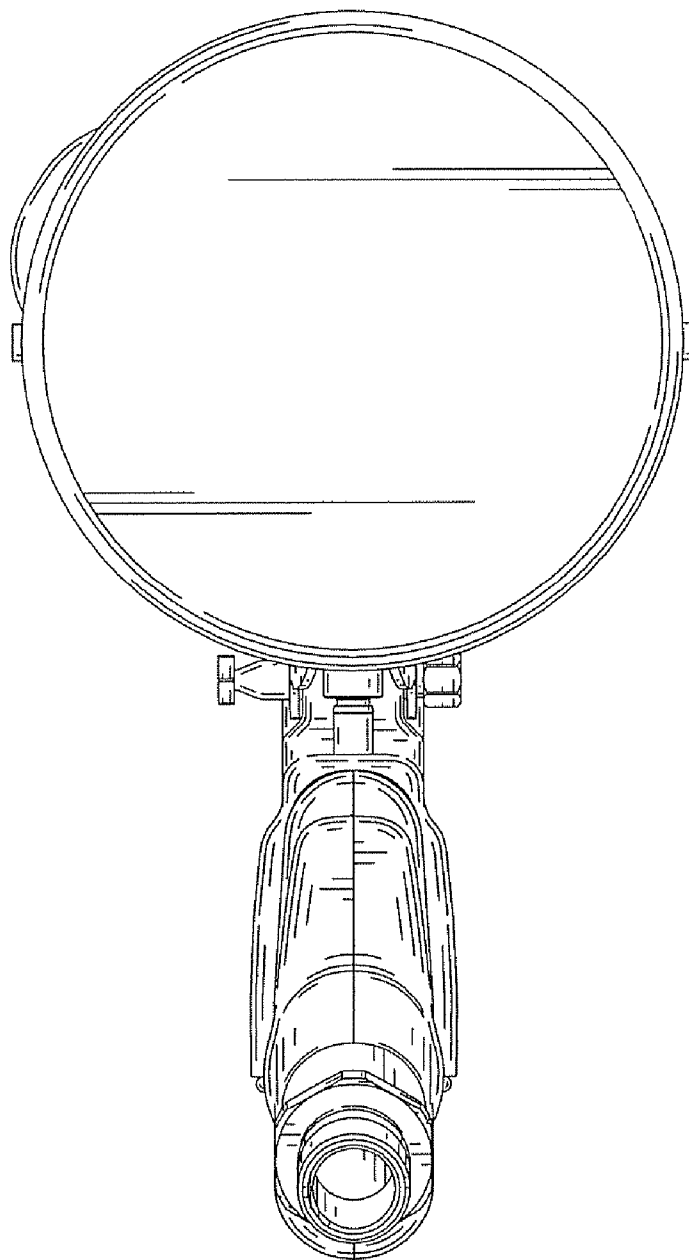


FIG. 3

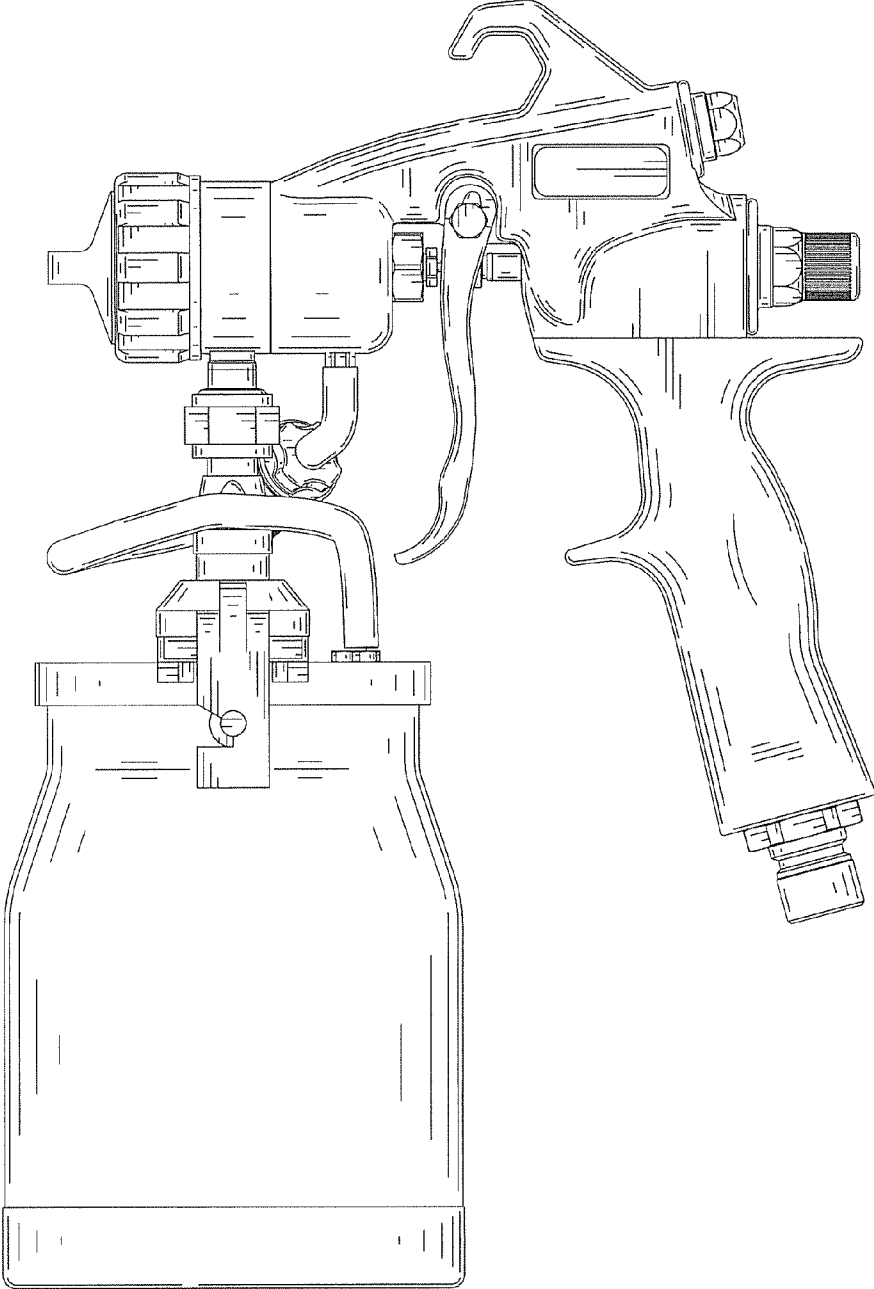


FIG. 4

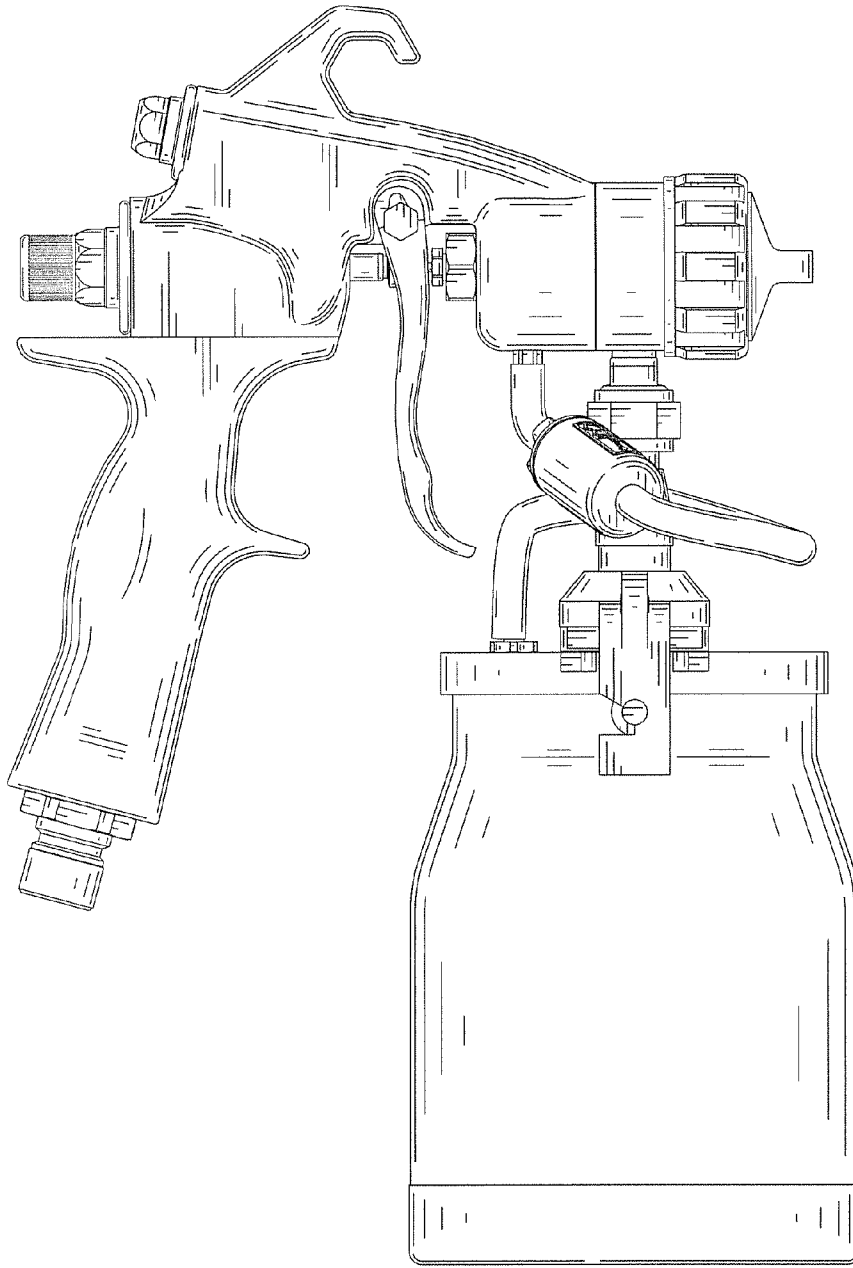


FIG. 5

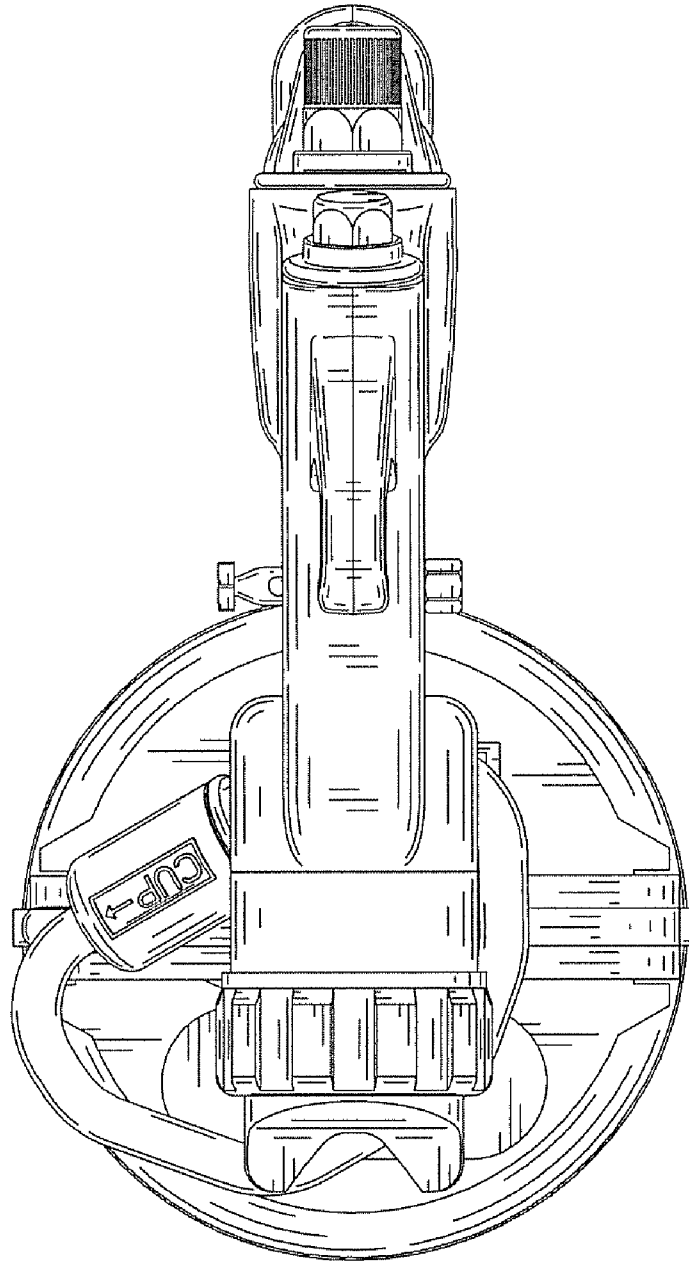


FIG. 6

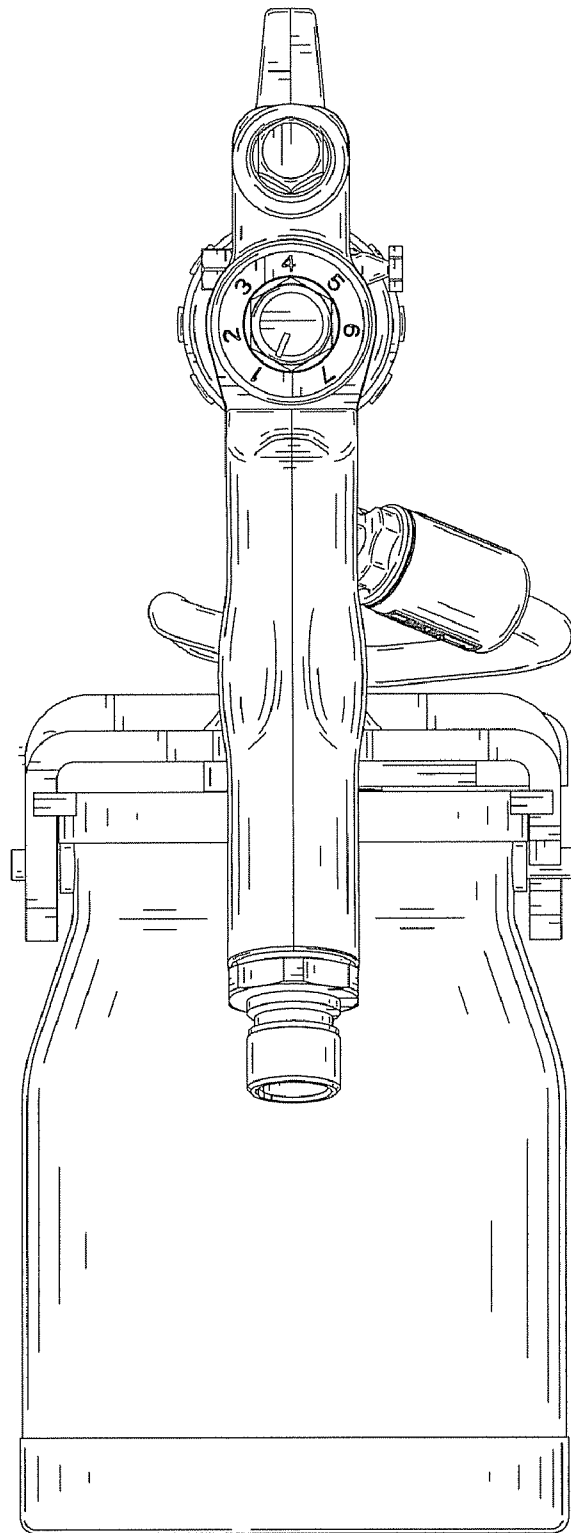


FIG. 7