



US0D1042003S

(12) **United States Design Patent**  
**Shao**

(10) **Patent No.:** **US D1,042,003 S**

(45) **Date of Patent:** **\*\* Sep. 17, 2024**

(54) **ELECTRIC GRILL**

(71) Applicant: **Jingbei Shao**, Ningbo (CN)

(72) Inventor: **Jingbei Shao**, Ningbo (CN)

(\*\*) Term: **15 Years**

(21) Appl. No.: **29/864,939**

(22) Filed: **Jun. 28, 2022**

(51) **LOC (14) Cl.** ..... **07-02**

(52) **U.S. Cl.**  
USPC ..... **D7/352; D7/362; D7/363**

(58) **Field of Classification Search**  
USPC ..... D7/323, 328–334, 337, 347, 350.1,  
D7/352–364, 366–367, 402, 409–411  
CPC . A21B 5/023; A47J 27/60; A47J 27/62; A47J  
37/04; A47J 37/06; A47J 37/067; A47J  
37/0605; A47J 37/0611; A47J 37/0623;  
A47J 37/0629; A47J 37/0676; A47J  
37/0704; A47J 37/0786; A47J 2037/06;  
A47J 2037/0611; B62B 1/264; F24C  
15/10; F24C 15/102; H05B 6/02; H05B  
6/062

See application file for complete search history.

(56) **References Cited**

**U.S. PATENT DOCUMENTS**

D622,538 S *	8/2010	Hoare .....	D7/352
D644,477 S *	9/2011	Burton .....	D7/352
D811,155 S *	2/2018	De' Longhi .....	D7/352
D817,695 S *	5/2018	Liu .....	D7/352
D824,199 S *	7/2018	Liu .....	D7/352
D825,976 S *	8/2018	Liang .....	D7/352
D853,172 S *	7/2019	De' Longhi .....	D7/352
D859,056 S *	9/2019	Hawkins .....	D7/352

D940,495 S *	1/2022	Huang .....	D7/352
D944,049 S *	2/2022	Ernotte .....	D7/362
D949,620 S *	4/2022	Bodum .....	D7/352
D965,377 S *	10/2022	Colin .....	D7/352
2017/0367531 A1 *	12/2017	Yan .....	A47J 37/0611

**OTHER PUBLICATIONS**

Cuisinart GR-150P1 Deluxe Electric Griddler. Date First Available on Amazon.com Aug. 1, 2013. <https://www.amazon.com/Cuisinart-GR-150-Griddler-Brushed-Stainless/dp/B008EYOPPU/ref> (Year: 2013).\*

De'Longhi CGH1030D Livenza All-Day Grill. Date First Available on Amazon.com Oct. 15, 2016. <https://www.amazon.com/dp/B01MF7EFYB/ref> (Year: 2016).\*

\* cited by examiner

*Primary Examiner* — Ricky Pham

(74) *Attorney, Agent, or Firm* — Birchwood IP

(57) **CLAIM**

The ornamental design for an electric grill, as shown and described.

**DESCRIPTION**

FIG. 1 is a perspective view of an electric grill showing my design;

FIG. 2 is a front elevation view thereof;

FIG. 3 is a back elevation view thereof;

FIG. 4 is a left side view thereof;

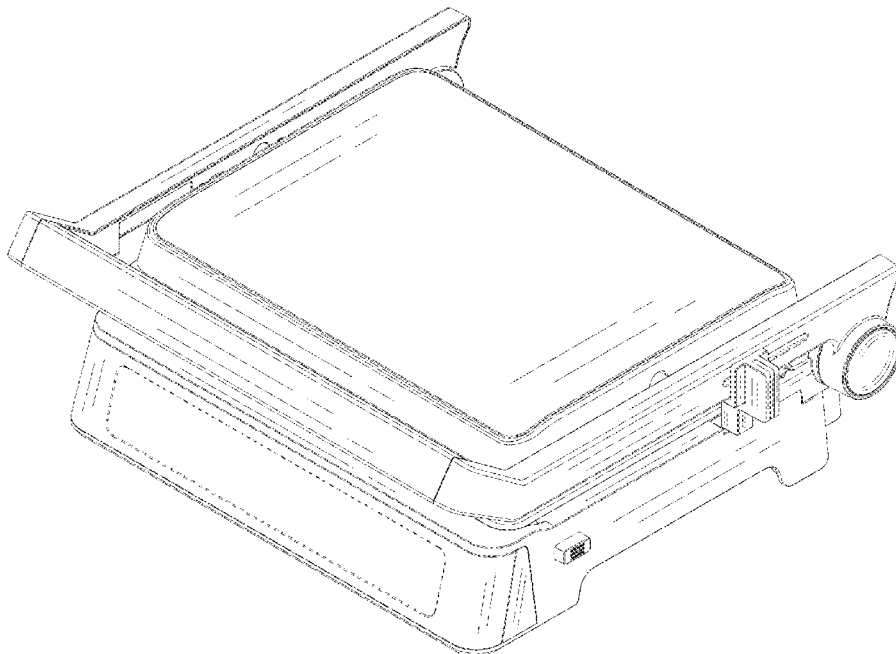
FIG. 5 is a right side view thereof;

FIG. 6 is a top plan view thereof; and,

FIG. 7 is a bottom plan view thereof.

The dashed or broken lines shown in the drawings depict portions of the electric grill in which the design is embodied that form no part of the claimed design.

**1 Claim, 7 Drawing Sheets**



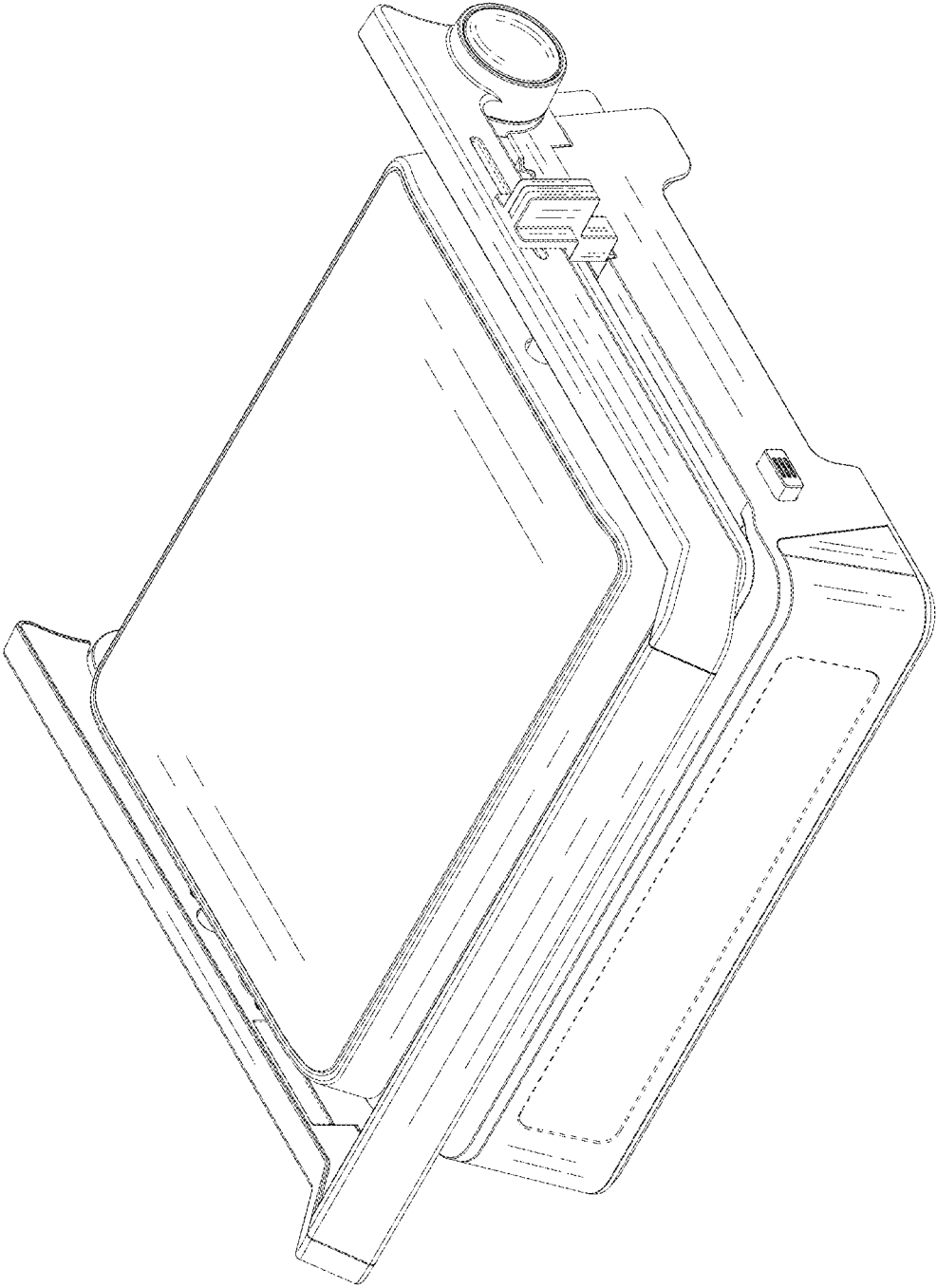


FIG. 1

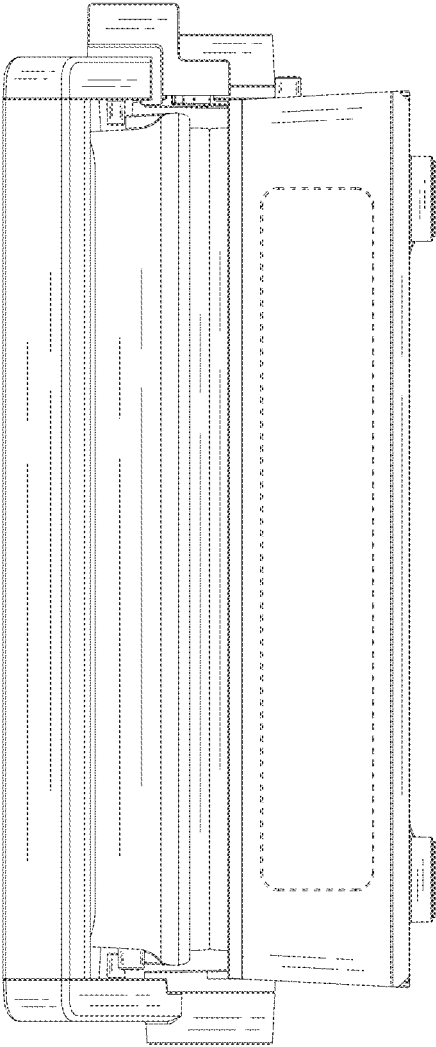


FIG. 2

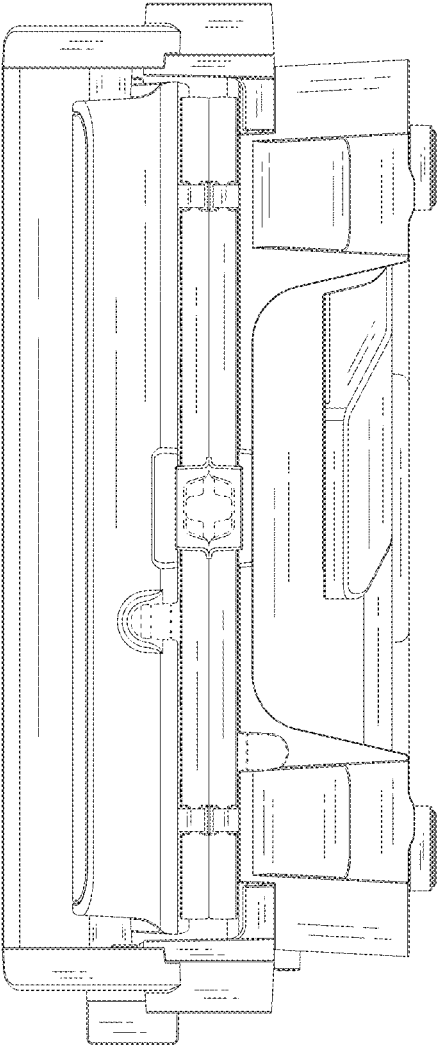


FIG. 3

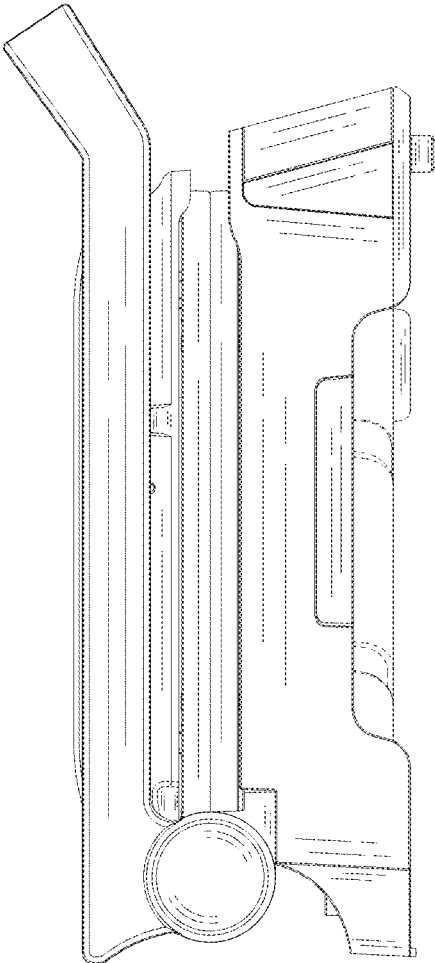


FIG. 4

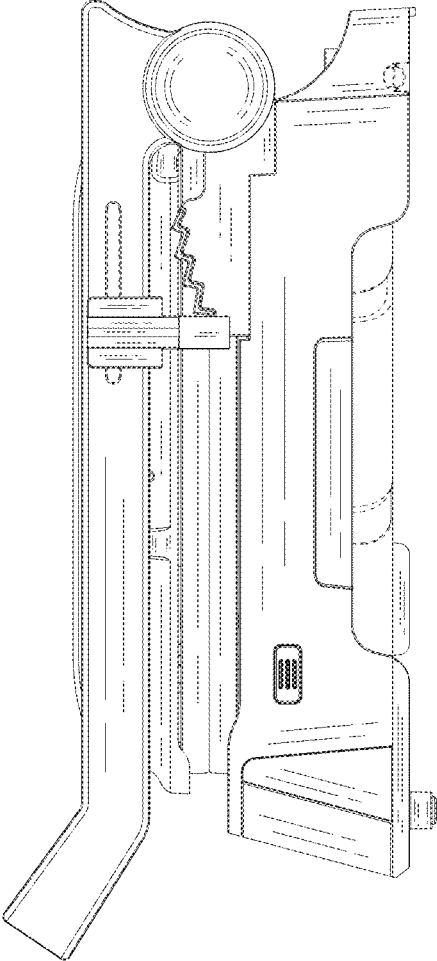


FIG. 5

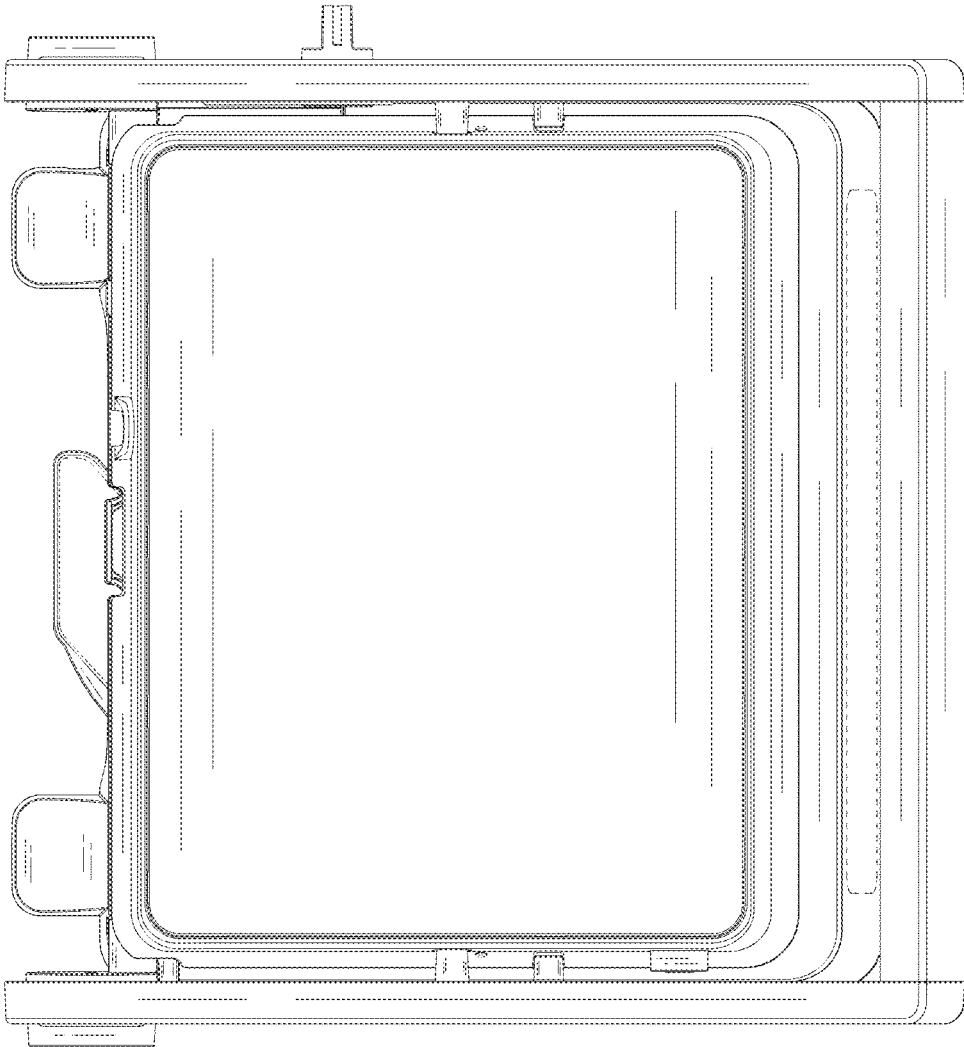


FIG. 6

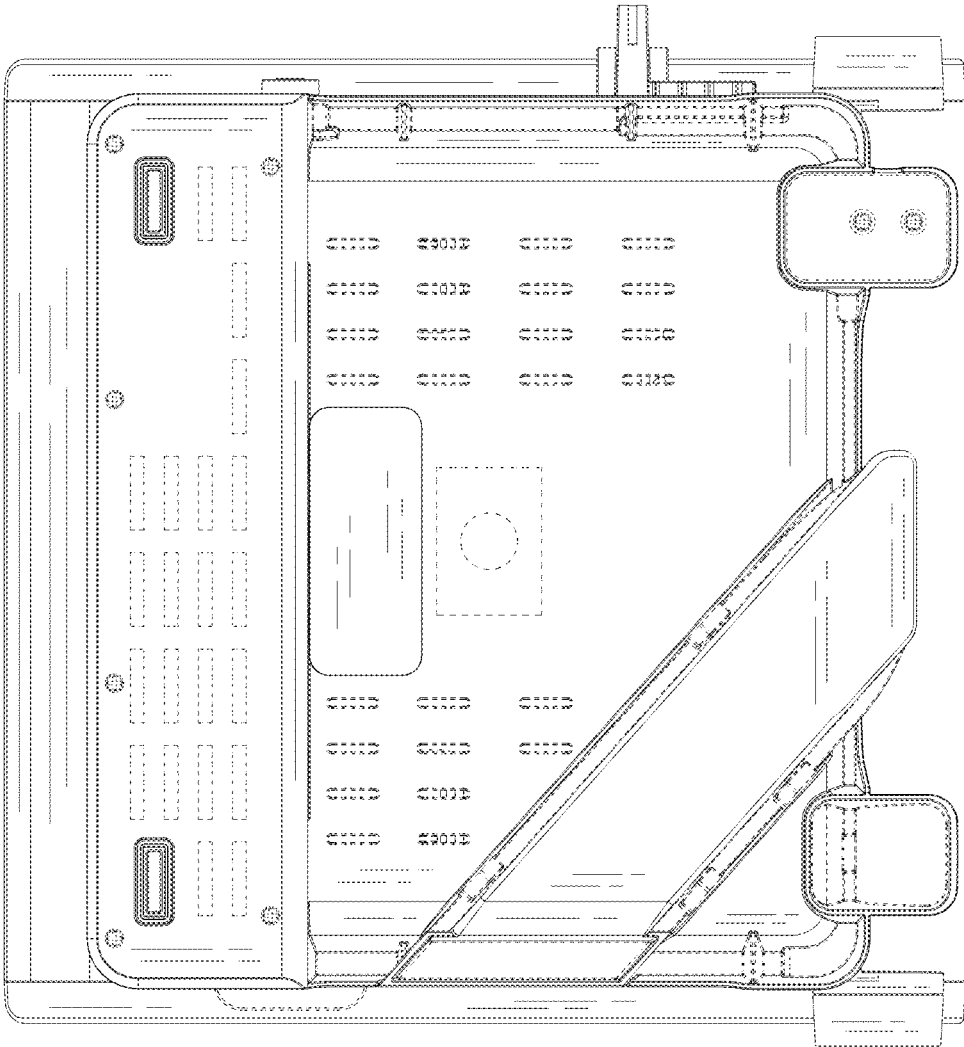


FIG. 7