



US00D466735S

(12) **United States Design Patent**
Moore

(10) **Patent No.:** **US D466,735 S**

(45) **Date of Patent:** **** Dec. 10, 2002**

(54) **TISSUE HOLDER**

(75) **Inventor:** **Glenn David Moore**, Pompton Lakes, NJ (US)

(73) **Assignee:** **Bath Unlimited, Inc.**, Passaic, NJ (US)

(**) **Term:** **14 Years**

(21) **Appl. No.:** **29/147,123**

(22) **Filed:** **Aug. 23, 2001**

(51) **LOC (7) Cl.** **23-02**

(52) **U.S. Cl.** **D6/523**

(58) **Field of Search** D6/546-50, 518, D6/522-24; D8/300, 307-8, 315-20; 108/29; 211/13.1, 16, 60.1, 86.01, 87.01, 88.04, 105.1-105.2, 106, 123, 181.1; 242/570, 588-90, 597-98; 248/49, 175, 200-201, 205.1, 214, 251-54, 261, 302, 304, 309.1, 314-17

(56) **References Cited**

U.S. PATENT DOCUMENTS

D357,379 S * 4/1995 Lehn et al. D6/549
D357,840 S * 5/1995 Lehn et al. D6/549

D361,006 S * 8/1995 Sharpe D6/524
D392,139 S * 3/1998 Wu D6/549
D424,352 S * 5/2000 Roth et al. D6/549
D424,354 S * 5/2000 Duggan D6/550
D454,744 S * 3/2002 Ou-Young D6/550

* cited by examiner

Primary Examiner—Brian N. Vinson

(74) *Attorney, Agent, or Firm*—Edgar A. Zarins; Lloyd D. Doigan

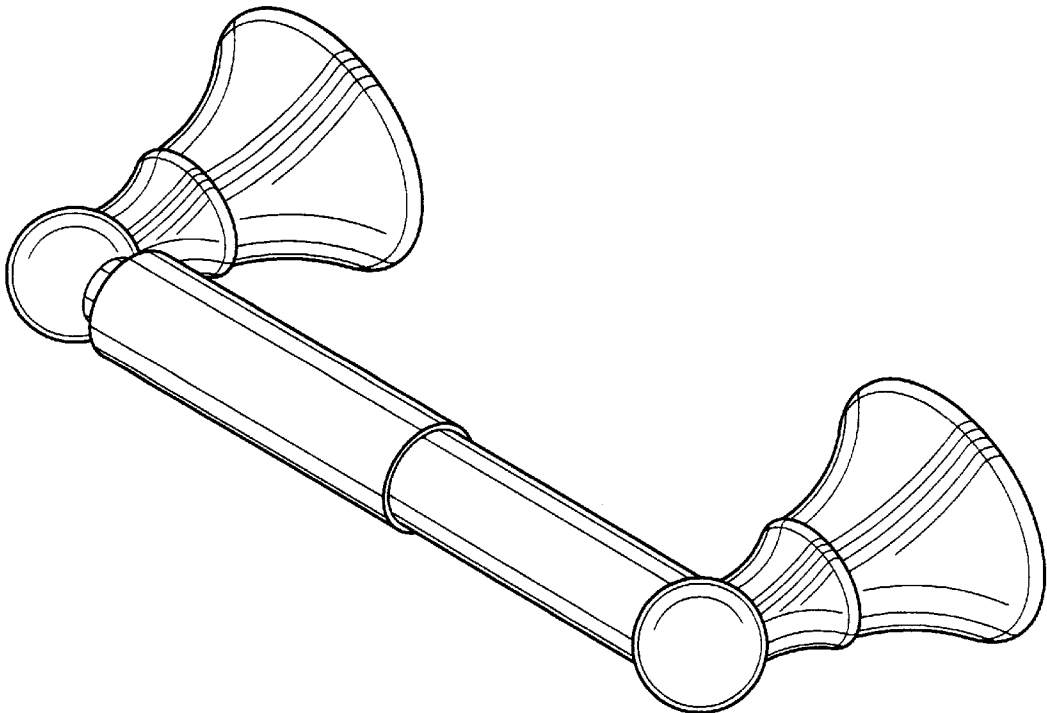
(57) **CLAIM**

The ornamental design for a tissue holder, as shown and described.

DESCRIPTION

FIG. 1 is a perspective view of a tissue holder showing my new design;
FIG. 2 is a front elevational view thereof;
FIG. 3 is a rear elevational view thereof;
FIG. 4 is a top plan view thereof;
FIG. 5 is a bottom plan view thereof;
FIG. 6 is a right side view thereof; and,
FIG. 7 is a left side view thereof.

1 Claim, 2 Drawing Sheets



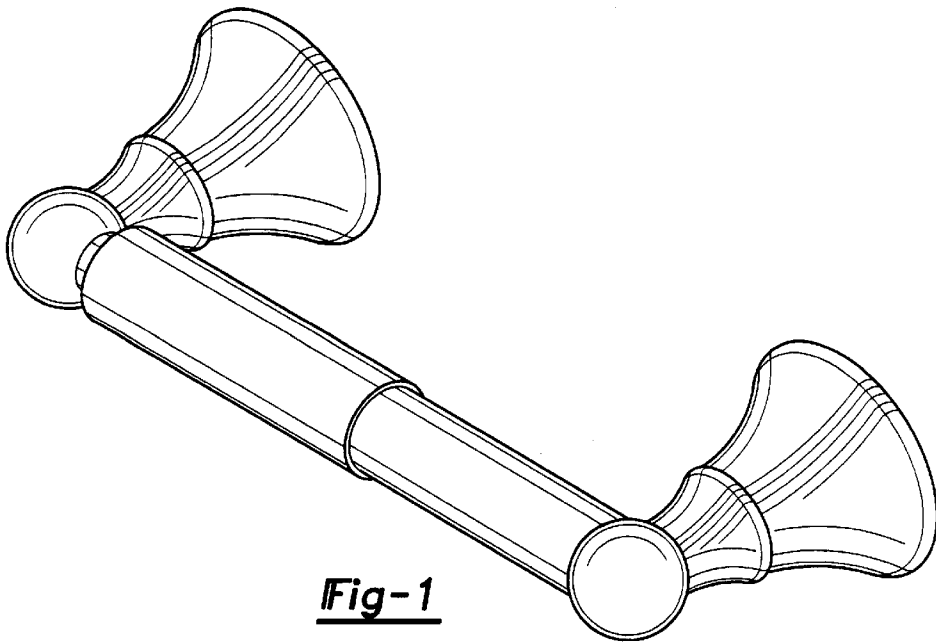


Fig-1

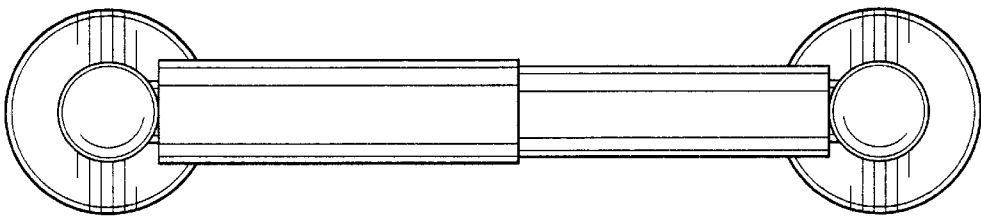


Fig-2

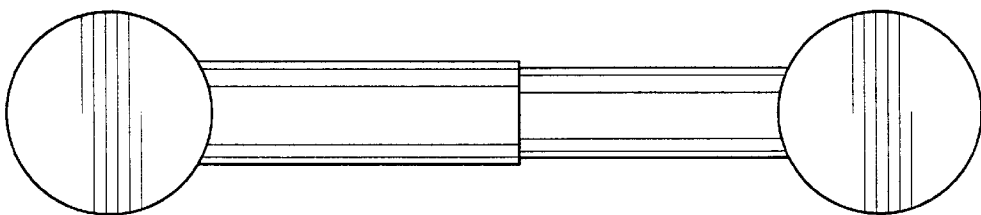


Fig-3

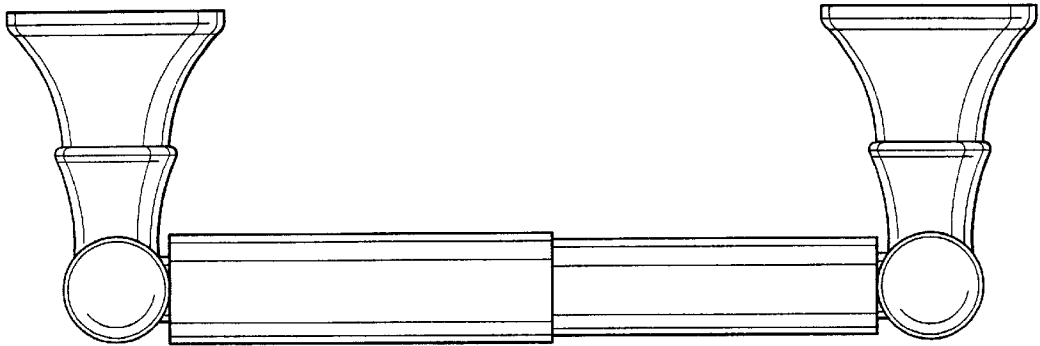


Fig-4

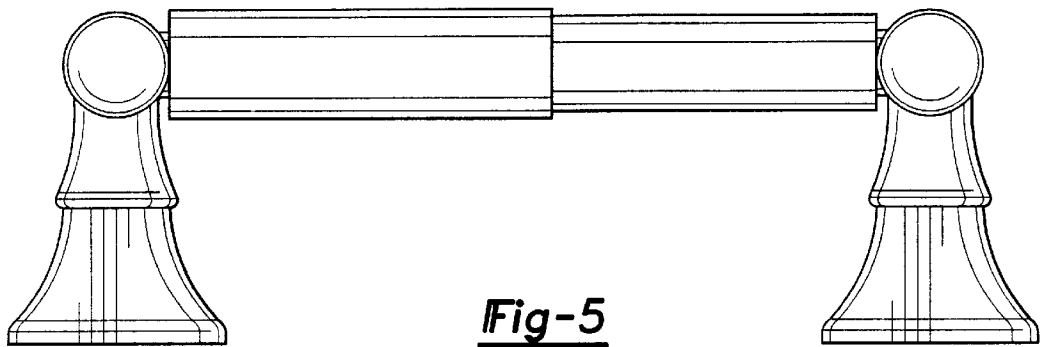


Fig-5

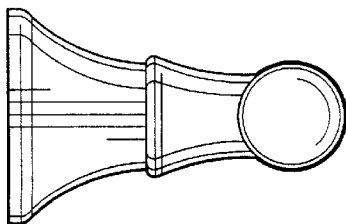


Fig-6

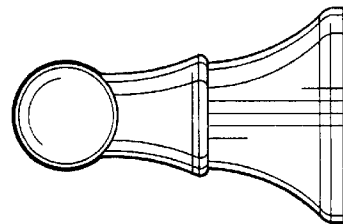


Fig-7