



US00D719907S

(12) **United States Design Patent**  
**Ohara**

(10) **Patent No.:** **US D719,907 S**

(45) **Date of Patent:** **\*\* Dec. 23, 2014**

(54) **TIRE**

(75) Inventor: **Masaaki Ohara**, Osaka (JP)

(73) Assignee: **Toyo Tire & Rubber Co., Ltd.**, Osaka (JP)

(\*\*) Term: **14 Years**

(21) Appl. No.: **29/415,394**

(22) Filed: **Mar. 9, 2012**

(30) **Foreign Application Priority Data**

Sep. 12, 2011 (JP) ..... 2011-020697

(51) **LOC (10) Cl.** ..... **12-15**

(52) **U.S. Cl.**  
USPC ..... **D12/588**

(58) **Field of Classification Search**  
USPC ..... D12/568-603; 152/209.1-209.28  
See application file for complete search history.

(56) **References Cited**

**U.S. PATENT DOCUMENTS**

D464,614 S \* 10/2002 Irimiya ..... D12/588  
D647,041 S \* 10/2011 Kojima ..... D12/600  
D686,973 S \* 7/2013 Otani ..... D12/588

**FOREIGN PATENT DOCUMENTS**

CN 201030188570.0 1/2011  
JP 742219 S 9/1988  
JP 966803 S 10/1996

\* cited by examiner

*Primary Examiner* — George D Kirschbaum

(74) *Attorney, Agent, or Firm* — Sterne, Kessler, Goldstein & Fox P.L.L.C.

(57) **CLAIM**

The ornamental design for a tire, as shown and described.

**DESCRIPTION**

FIG. 1 is a perspective view of a tire showing my new design; FIG. 2 is a front view thereof, for which the rear view is the same;

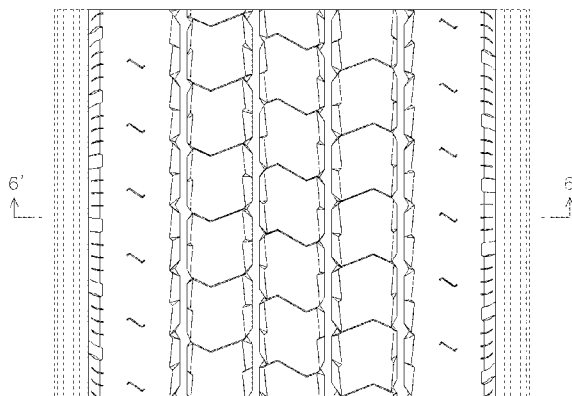
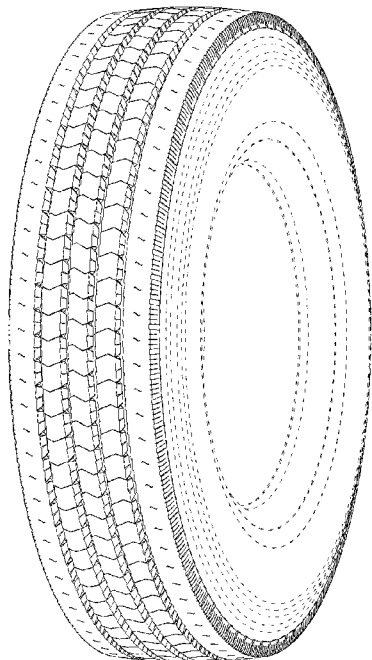
FIG. 3 is a top plan view thereof, for which the bottom plan view is the same;

FIG. 4 is a right side view thereof, for which the left side view is the same;

FIG. 5 is an enlarged view taken along line 5-5 in FIG. 2; and, FIG. 6 is a cross-sectional view taken along line 6-6 in FIG. 4 and line 6'-6' in FIG. 5.

In the drawings, the broken lines defining portions of the sidewall and inner bead depict environmental subject matter that forms no part of the claimed design.

**1 Claim, 6 Drawing Sheets**



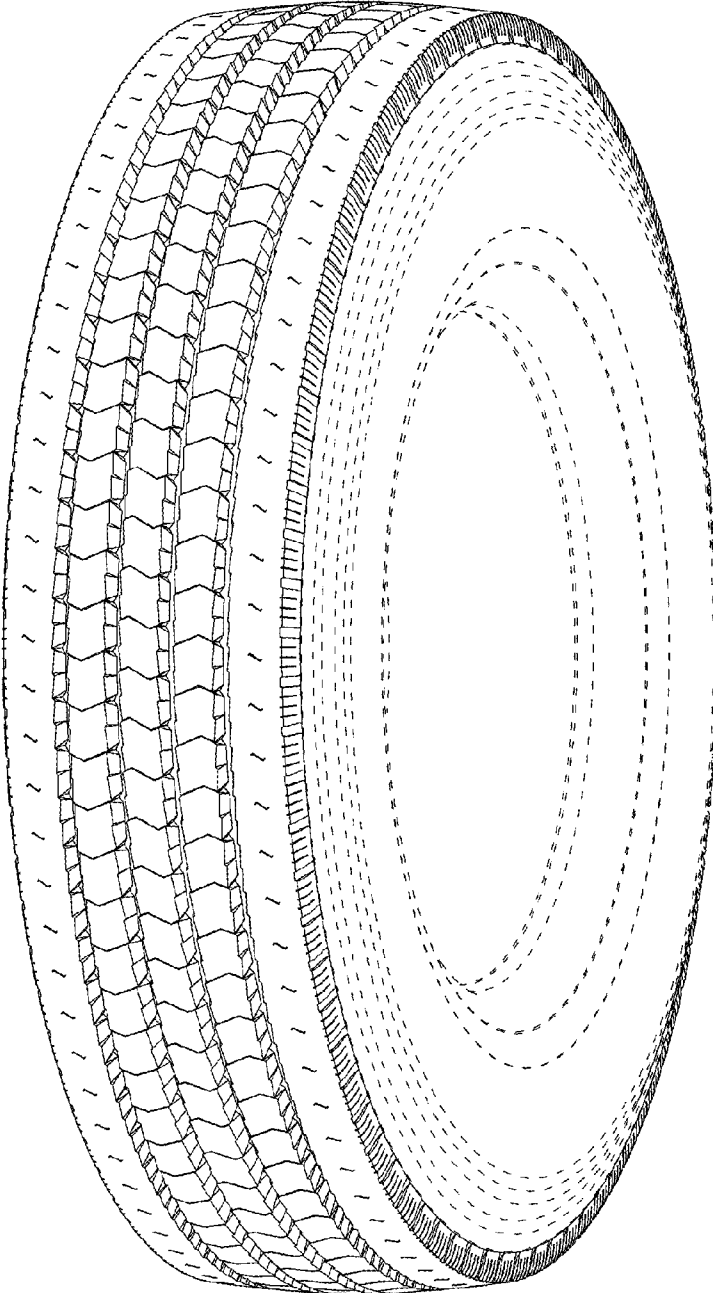


FIG. 1

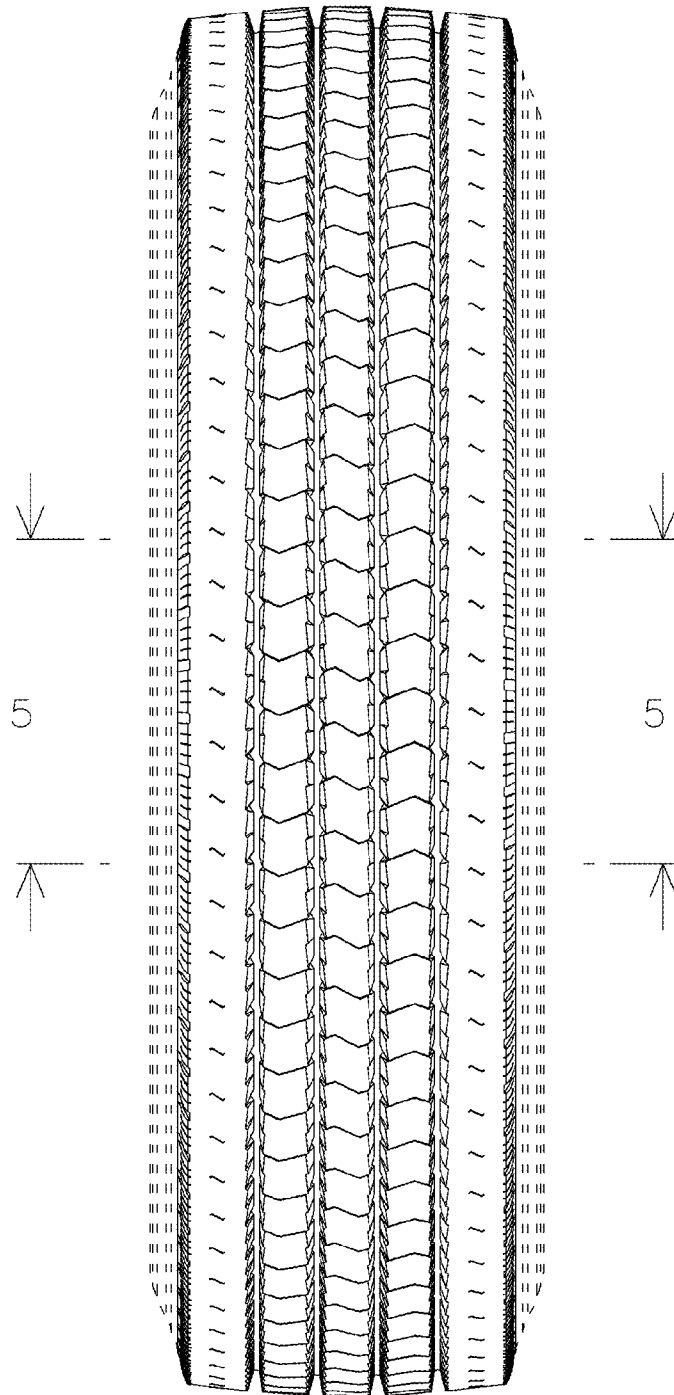


FIG. 2

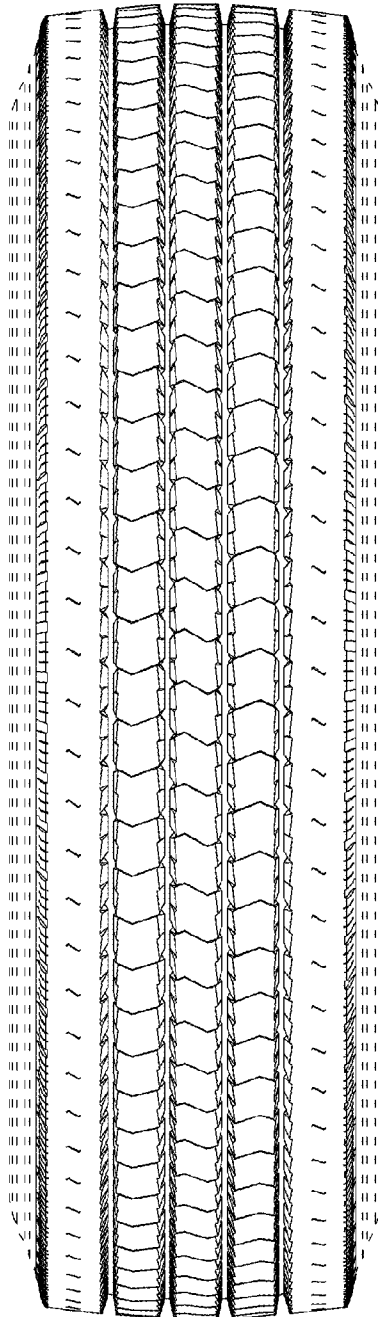


FIG. 3

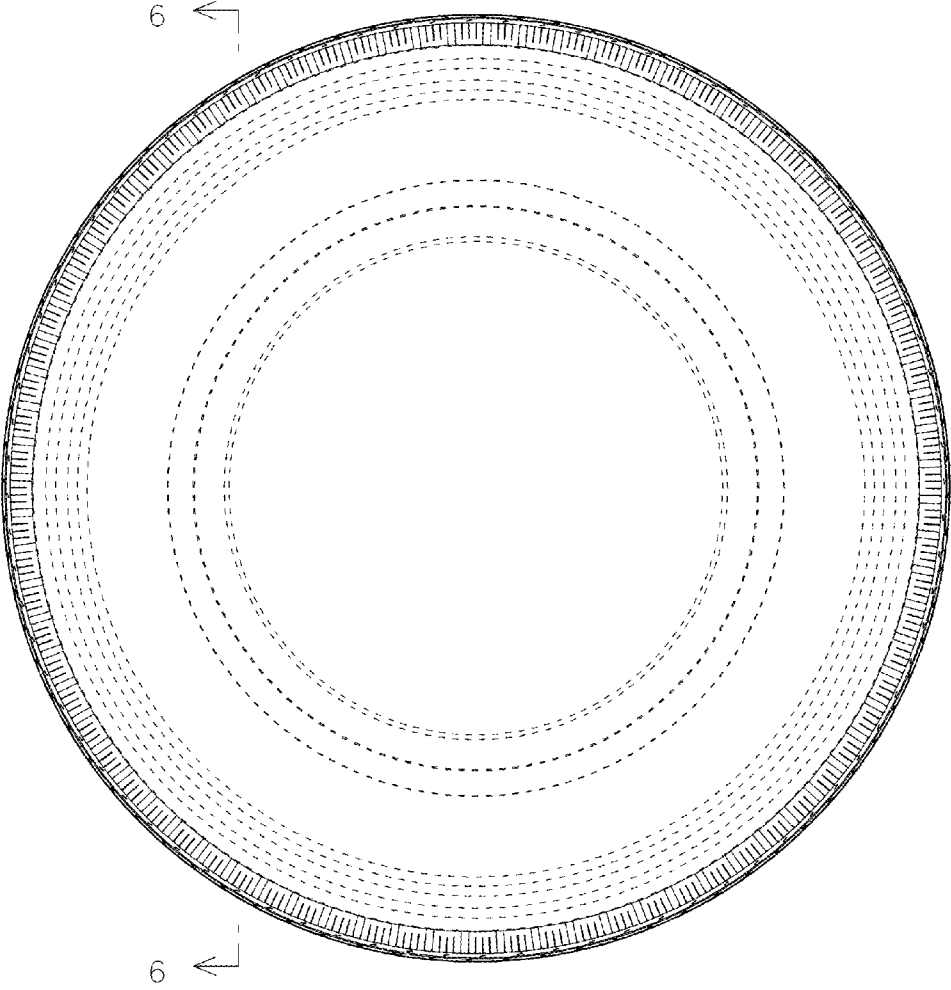


FIG. 4

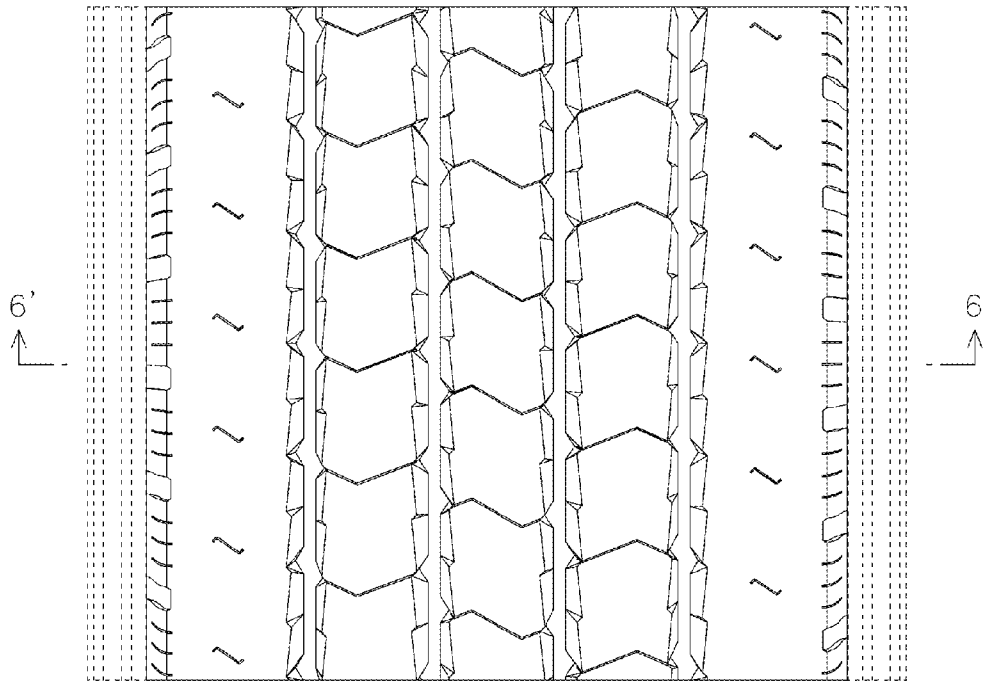


FIG. 5

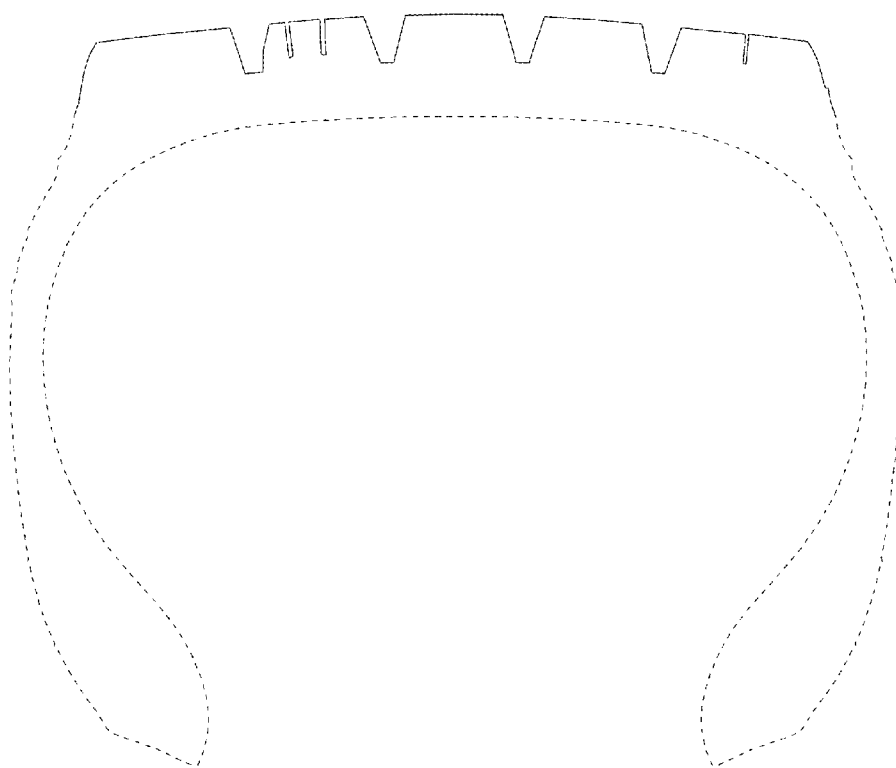


FIG. 6