



US00D999995S

(12) **United States Design Patent**
Lotti

(10) **Patent No.:** **US D999,995 S**

(45) **Date of Patent:** **** Sep. 26, 2023**

(54) **ARTIFICIAL EYELASH EXTENSION STORAGE CARTRIDGE**

2,392,694 A 1/1946 Rector
(Continued)

(71) Applicant: **Lashify, Inc.**, North Hollywood, CA (US)

FOREIGN PATENT DOCUMENTS

(72) Inventor: **Sahara Lotti**, North Hollywood, CA (US)

CN 102975141 3/2013
CN 303086463 1/2015
CN 104363790 2/2015
CN 205274180 6/2016

(Continued)

(73) Assignee: **Lashify, Inc.**, North Hollywood, CA (US)

OTHER PUBLICATIONS

(**) Term: **15 Years**

Born Pretty, False Eyelashes Thick Natural Simulation Recyclable Curly False Eyelash Makeup Cosmetic Tools , <http://www.bornprettystore.com/false-eyelashes-thick-natural-simulation-recyclable-curly-false-eyelash-makeup-cosmetic-tools-p-44675.html> downloaded from internet Oct. 18, 2018 (6 pages).

(Continued)

(21) Appl. No.: **29/722,296**

(22) Filed: **Jan. 28, 2020**

Related U.S. Application Data

(60) Division of application No. 29/667,365, filed on Oct. 19, 2018, which is a continuation-in-part of application No. 15/968,453, filed on May 1, 2018, now Pat. No. 10,638,826, which is a continuation of (Continued)

* cited by examiner

Primary Examiner — Sandra Snapp

Assistant Examiner — Altaira J Swangin

(74) *Attorney, Agent, or Firm* — Lowenstein Sandler LLP

(51) **LOC (14) Cl.** **28-03**

(57) **CLAIM**

(52) **U.S. Cl.**
USPC **D28/73**

The ornamental design for an artificial eyelash extension storage cartridge, as shown and described.

(58) **Field of Classification Search**
USPC D28/7, 73, 91, 99; D32/40, 43; D9/418, D9/430, 435-436, 724-725; 206/769-770, 206/776-778, 781; D3/203, 203.3-203.4; D9/184; 132/216
CPC A47G 29/08; A45D 44/00; A45D 33/26; A45D 33/28; A41G 5/02;
(Continued)

DESCRIPTION

FIG. 1 is an illustration of a front perspective view of an artificial eyelash extension storage cartridge;
FIG. 2 is a front elevation view thereof;
FIG. 3 is a rear elevation view thereof;
FIG. 4 is a right-side elevation view thereof;
FIG. 5 is a left-side elevation view thereof;
FIG. 6 is a top view thereof;
FIG. 7 is a bottom view thereof;
FIG. 8 is a bottom perspective view thereof.

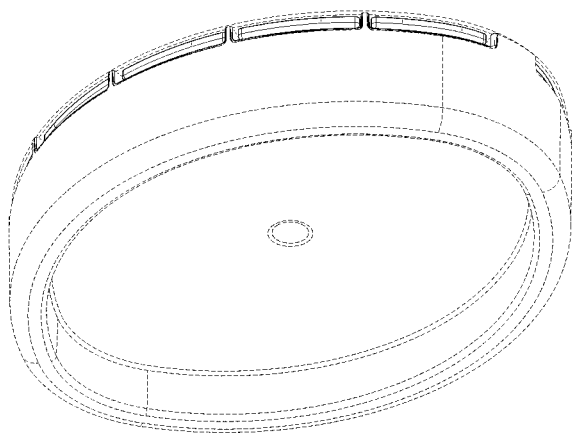
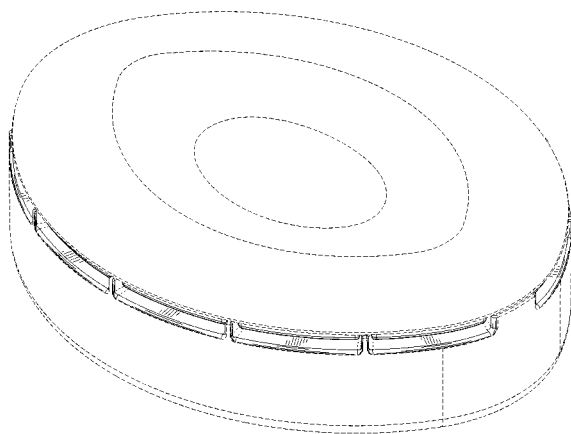
The broken lines illustrate portions of the Artificial Eyelash Extension Storage Cartridge that form no part of the claimed design.

(56) **References Cited**

U.S. PATENT DOCUMENTS

D101,791 S 7/1936 Rauh
D129,526 S 1/1941 Hanisch
2,268,082 A 12/1941 Phillips, Sr.
2,323,595 A 7/1943 Hanisch

1 Claim, 6 Drawing Sheets



US D999,995 S

Related U.S. Application Data	6,182,839 B1*	2/2001	Robbins et al.	A47B 49/004 211/115
(60) application No. PCT/US2017/067513, filed on Dec. 20, 2017, said application No. 29/667,365 is a continuation-in-part of application No. 29/586,561, filed on Dec. 5, 2016, now Pat. No. Des. 867,668.	6,230,715 B1	5/2001	Cho	
	D442,304 S *	5/2001	Huang	D26/28
	D443,471 S	6/2001	Lillelund et al.	
	6,265,010 B1	7/2001	Franco	
	D448,927 S	10/2001	Vazquez	
	D452,151 S	12/2001	Scott	
	D454,981 S	3/2002	Lamagna et al.	
	D456,077 S	4/2002	Eter et al.	
	D456,097 S	4/2002	LaMagna et al.	
	D458,413 S	6/2002	Boilen	
	6,439,406 B1	8/2002	Duhon	
	D463,280 S	9/2002	Brozell	
	6,471,515 B2	10/2002	Feuer	
	D463,744 S	10/2002	Brozell	
	D464,565 S *	10/2002	Weinstein et al.	D9/418
	D464,877 S *	10/2002	Weinstein et al.	D9/418
	D467,800 S *	12/2002	Chen et al.	D9/428
	6,530,379 B2	3/2003	Iosilevich	
	D472,675 S	4/2003	Lamagna	
	D472,810 S	4/2003	Gelardi et al.	
	D473,106 S	4/2003	Scherer	
	D475,616 S	6/2003	Lambrecht	
	D479,365 S	9/2003	Todeschini	
	D480,864 S *	10/2003	Sayers et al.	D3/203.1
	D481,946 S	11/2003	Nicholson et al.	
	D481,952 S	11/2003	Orsomando	
	D482,495 S	11/2003	Jackel-Marken	
	D482,928 S *	12/2003	Liu	D7/392.1
	D482,934 S *	12/2003	Liu	D7/602
	D483,232 S	12/2003	Liu	
	D483,633 S	12/2003	Jansson et al.	
	D483,909 S	12/2003	Todeschini	
	D485,359 S	1/2004	McMichael et al.	
	D488,353 S *	4/2004	Govrik et al.	D7/600.1
	D488,618 S *	4/2004	Wekstein	D3/203.3
	D490,932 S	6/2004	Mammone	
	D491,336 S *	6/2004	Cecere	D1/102
	D495,834 S	9/2004	Todeschini	
	D496,759 S	9/2004	Rodriguez	
	D501,580 S	2/2005	Sugawara	
	D506,573 S	6/2005	de Grandcourt	
	D507,678 S	7/2005	Lamagna	
	D509,942 S *	9/2005	Connolly et al.	D1/127
	D512,913 S	12/2005	Gauthier	
	6,981,814 B2	1/2006	Geardino et al.	
	7,000,775 B2*	2/2006	Gelardi et al.	B65D 15/08 206/485
	D515,242 S	2/2006	Cho	
	D516,247 S	2/2006	Merheje	
	D522,376 S	6/2006	Hales	
	D532,891 S	11/2006	Buthier et al.	
	D533,650 S	12/2006	Ohta	
	7,159,720 B2	1/2007	Pearson	
	D534,426 S	1/2007	Bakic	
	D537,208 S	2/2007	Shaljian	
	D540,112 S	4/2007	Nichols et al.	
	D543,662 S	5/2007	Bivona et al.	
	7,228,863 B2	6/2007	Dumler et al.	
	D543,815 S	6/2007	Metcalf	
	D543,850 S	6/2007	Legros	
	D544,148 S	6/2007	Bivona et al.	
	D544,202 S	6/2007	Markfelder	
	D545,396 S	6/2007	Casey et al.	
	D546,002 S	7/2007	Bowen	
	D547,940 S	8/2007	Sandy	
	D561,045 S	2/2008	Lee	
	D561,942 S	2/2008	Khubani	
	D563,157 S *	3/2008	Bouveret et al.	D7/392.1
	D563,616 S *	3/2008	Lynde et al.	D32/40
	D563,728 S	3/2008	Welch, III	
	7,374,048 B2*	5/2008	Mazurek	B65D 15/08 206/485
	D569,041 S	5/2008	Azoulay	
	D569,553 S	5/2008	Cho	
	D571,543 S	6/2008	Sungadi	
	D573,308 S	7/2008	Wittke-Kothe	
	D575,904 S	8/2008	Iqbal	
	D579,059 S	10/2008	Chan	
	D584,449 S	1/2009	Shaljian	

(58) Field of Classification Search	CPC	A45D 33/006
See application file for complete search history.		

(56) References Cited
U.S. PATENT DOCUMENTS
D154,227 S 5/1948 Alvizua
D155,559 S 10/1949 Tillmann
2,618,279 A 11/1952 Reiffert
D189,888 S * 3/1961 Tapper D9/731
3,016,059 A 1/1962 Hutton
3,343,552 A 9/1967 Steffen
3,454,015 A 7/1969 Udes
3,478,754 A 11/1969 Martin, Jr.
3,547,135 A 12/1970 Roos
3,557,653 A 1/1971 Kim
3,561,454 A 2/1971 O'Connell
3,625,229 A 12/1971 Silson
3,645,281 A 2/1972 Seidler
3,670,742 A 6/1972 Weaner
3,703,180 A 11/1972 Aylott
3,833,007 A 9/1974 Jacobs
3,900,038 A 8/1975 Masters
D240,769 S 7/1976 Bowman
4,203,518 A 5/1980 Current
4,299,242 A 11/1981 Choe
D261,601 S * 11/1981 Kettlestrings D32/40
4,395,824 A 8/1983 Puro
D270,551 S 9/1983 Thayer
D280,354 S 8/1985 Bakic
D281,259 S 11/1985 Hensley
D281,825 S 12/1985 Bakic
4,697,856 A 10/1987 Abraham
D298,070 S 10/1988 Ferrari
D299,561 S 1/1989 Bakic
D301,371 S 5/1989 Kaprelian
D302,602 S 8/1989 Bakic
D314,066 S 1/1991 Bakic
5,033,626 A 7/1991 Platti
D318,346 S 7/1991 Bakic
D328,246 S 7/1992 Nottingham et al.
D342,671 S 12/1993 Elliott
D343,340 S * 1/1994 Frye, Jr. et al. D7/629
5,322,166 A 6/1994 Crowther
D348,219 S * 6/1994 Goldberg D3/203.4
5,377,700 A 1/1995 Harris
D358,312 S 5/1995 Keenan
D358,908 S * 5/1995 Rawski 119/626
D368,495 S 4/1996 Rypinski
D373,726 S * 9/1996 Power D30/130
5,571,543 A 11/1996 Song et al.
D379,923 S 6/1997 De Baschmakoff
D380,616 S * 7/1997 Leslie et al. D4/138
D382,198 S 8/1997 Mulhauser et al.
D386,808 S 11/1997 Litton
D387,483 S 12/1997 Sloan
D388,549 S 12/1997 Mouyiaris et al.
D397,040 S 8/1998 Bakic
D403,922 S 1/1999 Terracciano et al.
D404,531 S 1/1999 Bakic et al.
5,896,996 A 4/1999 Chuang
D411,649 S 6/1999 Bakic
6,003,467 A 12/1999 Shelton-Ferrell et al.
D418,018 S 12/1999 Winsted
D418,253 S 12/1999 Bakic
6,032,609 A 3/2000 Luoma
6,092,291 A 7/2000 Cendoma
6,174,321 B1 1/2001 Webb
D437,086 S 1/2001 Dickert

US D999,995 S

(56)

References Cited

U.S. PATENT DOCUMENTS

D587,529	S	3/2009	Pratt	9,351,752	B2	5/2016	Slavin	
D588,746	S	3/2009	Ross	D755,577	S *	5/2016	Segal	D7/629
D591,599	S	5/2009	Okin et al.	D757,274	S	5/2016	Gelb et al.	
D592,923	S	5/2009	Konopka	D758,009	S	5/2016	Berkos	
7,543,718	B2*	6/2009	Simon	D761,489	S	7/2016	Krakovszki	
				D762,433	S	8/2016	Yang	
				D764,688	S	8/2016	Robinson et al.	
				9,451,800	B2	9/2016	Dinh	
				9,504,285	B2	11/2016	Lin	
				D773,915	S	12/2016	Barakat et al.	
D595,054	S	6/2009	Whitaker	D775,270	S	12/2016	Moffat	
D600,441	S	9/2009	Estrada	D783,899	S	4/2017	Roh	
D602,354	S	10/2009	Dibnah et al.	D783,901	S	4/2017	Kim et al.	
D604,579	S	11/2009	Robinson et al.	D784,615	S	4/2017	Choi	
D605,514	S	12/2009	Weber	D788,556	S	6/2017	James	
D607,332	S	1/2010	Huntington et al.	D796,582	S	9/2017	Beard	
D615,290	S	5/2010	Heffner	D800,966	S	10/2017	Silva	
D617,187	S *	6/2010	Murray	D805,135	S *	12/2017	Beard	D21/386
D617,943	S	6/2010	Bouix et al.	D806,315	S	12/2017	Hardwick	
D618,078	S	6/2010	Cripps et al.	D810,534	S	2/2018	Liu	
7,748,391	B2	7/2010	Vance	D810,543	S	2/2018	Astradsson et al.	
D627,103	S	11/2010	Cho	D811,872	S	3/2018	Wu	
D631,606	S	1/2011	Chen	D814,107	S	3/2018	Lotti et al.	
7,896,192	B2	3/2011	Conley et al.	D817,132	S	5/2018	Yang	
D638,733	S	5/2011	Sullivan et al.	9,993,373	B2	6/2018	Nassif et al.	
D639,196	S	6/2011	Sullivan et al.	D823,538	S	7/2018	Ruggaber	
D640,005	S	6/2011	Lee et al.	D823,683	S	7/2018	Caldwell	
D640,834	S	6/2011	Chen	D825,333	S	8/2018	Ozamiz et al.	
D647,799	S	11/2011	Dunwoody	D828,013	S	9/2018	Van Wijngaarden et al.	
D650,669	S	12/2011	Dunwoody	D828,014	S *	9/2018	Van Wijngaarden et al.	D3/203.3
D650,670	S	12/2011	Dunwoody					
D651,082	S	12/2011	Dunwoody	D828,629	S	9/2018	Hussain	
D657,496	S	4/2012	Flatt	D829,381	S	9/2018	Kim	
D657,696	S	4/2012	Floyd et al.	D830,170	S	10/2018	Holmes	
D659,330	S *	5/2012	Davis	D832,701	S	11/2018	Oates	
8,196,591	B2	6/2012	Lee et al.	D832,702	S	11/2018	Oates	
8,205,761	B2	6/2012	Stull, Sr. et al.	10,149,528	B2*	12/2018	Erickson et al.	A45D 34/00
D661,185	S *	6/2012	Battat	D835,465	S	12/2018	Son et al.	
D661,599	S	6/2012	Floyd et al.	D836,432	S	12/2018	Riedel et al.	
8,225,800	B2	7/2012	Byrne	D836,943	S	1/2019	Klieman	
D663,113	S	7/2012	Simms	D837,653	S	1/2019	Meranus	
D664,011	S	7/2012	Affonso	10,264,837	B2	4/2019	Park	
D669,223	S	10/2012	Lee et al.	D847,631	S	5/2019	Villbrandt	
D670,030	S	10/2012	Nguyen	D847,632	S	5/2019	Villbrandt	
D673,325	S	12/2012	Martines	D848,795	S	5/2019	Butler	
D679,590	S	4/2013	Stull, Sr. et al.	D850,715	S	6/2019	Lotti	
D679,591	S *	4/2013	Stull, Sr. et al.	D852,412	S	6/2019	Grund et al.	
D679,592	S *	4/2013	Stull, Sr. et al.	10,362,823	B1	7/2019	Hill et al.	
D679,595	S	4/2013	Stull, Sr. et al.	D863,419	S *	10/2019	Oguma et al.	D18/43
D679,596	S	4/2013	Stull, Sr. et al.	D863,679	S	10/2019	Lotti	
D682,103	S	5/2013	Jedlicka et al.	10,479,566	B2	11/2019	Doyle et al.	
D682,688	S *	5/2013	Murray	D867,664	S	11/2019	Lotti	
D686,495	S *	7/2013	Murray	D867,668	S *	11/2019	Lotti	D28/73
D690,419	S	9/2013	Porat	D871,673	S	12/2019	Qureshi et al.	
8,567,640	B1	10/2013	Johnson-Lofton	10,532,861	B2	1/2020	Kimmel et al.	
8,596,284	B2	12/2013	Byrne	D877,416	S *	3/2020	Lotti	D28/73
D698,078	S	1/2014	Purizhansky et al.	D890,430	S	7/2020	Lotti	
8,657,170	B2	2/2014	Martinez	D895,201	S *	9/2020	Lotti	D28/7
D700,799	S	3/2014	Ludeman et al.	D895,958	S *	9/2020	Guo et al.	D3/203.3
8,701,685	B2	4/2014	Chipman	D914,965	S	3/2021	Lotti	
D702,510	S *	4/2014	Segal	D917,153	S	4/2021	Denei et al.	
D707,392	S	6/2014	Yu et al.	D918,475	S	5/2021	Hu	
D707,556	S	6/2014	Kawamura	D920,400	S *	5/2021	Saito	F16N 7/12
D709,129	S	7/2014	Moertl					D15/138
D711,227	S	8/2014	Sheikh	D920,465	S *	5/2021	Bould et al.	D23/202
D713,217	S	9/2014	Micara-Sartori et al.	D930,788	S *	9/2021	Roth	D23/209
D714,494	S	9/2014	Vasquez et al.	D932,101	S *	9/2021	Davis et al.	D28/37
D716,498	S	10/2014	Wolff	11,219,260	B2*	1/2022	Lotti	A41G 5/02
8,881,741	B1	11/2014	Mattson et al.	D955,635	S *	6/2022	Lotti	D28/7
8,881,744	B2	11/2014	McKinstry	D955,645	S *	6/2022	Lotti	D28/73
D717,038	S *	11/2014	Lee	2002/0094507	A1	7/2002	Feuer	
8,939,159	B2	1/2015	Yeo et al.	2003/0005941	A1	1/2003	Iosilevich	
9,004,299	B2	4/2015	Hardin	2003/0111467	A1	6/2003	Norman et al.	
D738,579	S	9/2015	Owens et al.	2003/0155317	A1*	8/2003	McNeeley et al.	A47B 49/00
D738,611	S	9/2015	Gupta					211/78
9,215,901	B1	12/2015	Schroeder	2004/0011372	A1	1/2004	Park	
D746,046	S *	12/2015	Lee	2005/0061341	A1	3/2005	Choe	
D751,904	S	3/2016	Landrum et al.	2005/0166939	A1	8/2005	Stroud	
9,314,085	B2	4/2016	Hatch	2006/0124658	A1*	6/2006	Coe et al.	A61J 7/04
D753,455	S	4/2016	Hyma et al.					221/121
D753,881	S	4/2016	Hussain et al.	2006/0129187	A1	6/2006	Cho	

(56) **References Cited**

U.S. PATENT DOCUMENTS

2006/0142693 A1* 6/2006 Kahen A61J 19/00
604/77

2007/0050207 A1 3/2007 Merszei

2007/0084749 A1* 4/2007 Demelo et al. .. G01N 33/48778
206/569

2007/0227550 A1 10/2007 Merszei

2007/0272264 A1 11/2007 Byrne

2008/0196732 A1 8/2008 Merszei

2009/0028625 A1 1/2009 Bonneyrat

2009/0217939 A1 9/2009 Rabe et al.

2009/0223534 A1 9/2009 Green

2009/0266376 A1 10/2009 Beschta

2010/0127228 A1 5/2010 Xie et al.

2010/0170526 A1 7/2010 Nguyen

2011/0121592 A1 5/2011 Cho

2011/0278869 A1 11/2011 Lee et al.

2011/0290271 A1 12/2011 Rabe et al.

2012/0055499 A1 3/2012 Sanbonmatsu

2012/0305020 A1 12/2012 Byrne

2013/0110032 A1 5/2013 Luzon et al.

2013/0255706 A1 10/2013 Dinh

2013/0298931 A1* 11/2013 Samain et al. A61F 13/124
132/200

2013/0320025 A1 12/2013 Mazzetta et al.

2013/0333714 A1 12/2013 Merszei

2014/0110304 A1 4/2014 Wu et al.

2015/0136162 A1 5/2015 Brouillet et al.

2015/0173442 A1 6/2015 Raouf

2015/0216246 A1 8/2015 Ahn et al.

2016/0016702 A1 1/2016 Siskindovich et al.

2016/0037848 A1 2/2016 Lee

2016/0219959 A1 8/2016 Chipman et al.

2016/0324242 A1 11/2016 Hansen et al.

2016/0345648 A1 12/2016 Miniello et al.

2016/0353821 A1 12/2016 Calina

2017/0112214 A1 4/2017 Ahn

2017/0112264 A1 4/2017 Park

2017/0358245 A1 12/2017 Dana

2018/0065779 A1 3/2018 Chiba

2018/0160755 A1 6/2018 Hansen et al.

2018/0242672 A1 8/2018 Lotti

2018/0242715 A1 8/2018 Lotti

2018/0352885 A1 12/2018 Kim

2018/0352886 A1 12/2018 Schroeder et al.

2019/0133227 A1 5/2019 Le

2019/0191851 A1 6/2019 Esposito et al.

2021/0030140 A1* 2/2021 Chico A45C 11/008

FOREIGN PATENT DOCUMENTS

CN 305719777 * 4/2020

CN 305738664 * 4/2020

CN 305916370 * 7/2020

EM 006381257-0001 * 5/2019

EM 006381257-0002 5/2019

EM 006381257-0003 5/2019

EP 1839526 7/2009

GB 1042020 A 9/1966

GB 1272616 5/1972

GB 1307107 2/1973

GB 6024289 12/2017

JP 2011-177395 9/2011

JP 2015105447 6/2015

JP 3201846 U 1/2016

JP 2016-163699 9/2016

JP D1671784 * 11/2020

KR 200165452 Y1 2/2000

KR 20020065306 8/2002

KR 20090010717 10/2009

KR 101336422 12/2013

KR 300906653.0000 * 5/2017

WO 2018/022914 2/2018

WO 2018119034 6/2018

OTHER PUBLICATIONS

Cartridge, Lashify, Allure.com, published by Salbe Yong on Nov. 10, 2018 2021 Conde Nast, online, site visited on Feb. 17, 2021. Available at URL: <https://allure.com/story/lashify-false-eyelashes-review-photos> (Year: 2018).

Cruiser Portable Speaker, NYNE, published at thegamerwithkids.com, posted by Sam Versionone on Apr. 6, 2015 © not listed, <https://thegamerwithkids.com/2015/04/06/nyne-cruiser-review-a-wireless-speaker-for-your-bicycle/>, downloaded from internet Jun. 20, 2018.

Hongjun web page, <https://detail.1688.com/offer/57468515493.html?spm=a2615.7691456.newlist.75.22f96dc5Msy00t>, downloaded from internet Oct. 31, 2018 (16 pages).

International Search Report and Written Opinion dated Dec. 19, 2019 in related PCT/2019/057104 filed Oct. 19, 2019 (8 pages).

International Search Report and Written Opinion dated Mar. 12, 2018 in related PCT/2017/067513 filed Dec. 20, 2017 (10 pages).

International Search Report and Written Opinion dated Nov. 27, 2017 in related PCT/US2017/044217 filed Jul. 27, 2017 (10 pages).

Lashify Gossamer Lash Cartridge <https://lashify.com/collections/shop-1/products/gossamer-eye-lozenge-c-style?variant=783670738950>, downloaded from internet Jun. 15, 2018 (2 pages).

MAC Cosmetics, 34 Lash, <http://www.bompretystore.com/false-eyelashes-thick-natural-simulation-recyclable-curly-false-eyelash-makeup-cosmetic-tools-p-44675.html>, downloaded from internet Feb. 14, 2019 (1 page).

Cartridge, Lashify, allure.com, published by Sable Yong on Oct. 10, 2018 © 2021 Conde Nast, online, site visited Feb. 17, 2021. Available at URL: <https://www.allure.com/story/lashify-false-eyelashes-review-photos> (Year: 2018).*

Eyelash Holder, Avant Guard Beauty, facebook.com, author unlisted, published on Aug. 12, 2020 © unlisted, online, site visited Oct. 5, 2022. Available at URL: <https://www.facebook.com/photo/?fbid=162270508866790&set=a.161502768943564> (Year: 2020).*

Cartridge, Lashify, lashify.com, author unlisted, published on Sep. 30, 2020 per wayback machine © 2021 Lashify, online, site visited Feb. 17, 2021. Available at URL: <https://lashify.com/products/gossamer-lash-cartridge-prismatic-colors-violet?variant=20045369835631> (Year: 2020).*

Peonies and Lilies, Bourjois 2 in 1 Tweezers and Faux & Fabulous Eyelashes, posted Oct. 24, 2012 (2 pages).

Yoyo Pill box, Alessi, amazon.com, published by Alessi on Nov. 20, 2018 © 1996-2020 Amazon.com, online, site visited Aug. 6, 2020. Available at URL: <https://www.amazon.com/Alessi-Stainless-Steel-Michel-Bouquillon/dp/B07KKFQ6> (Year: 2018).*

Buzludsha Monument, Gueorguy Stoilov circa 1980, justanotherbackpacker.com, published by blogger Rich on Apr. 29, 2014 © 2019, online, site visited Aug. 27, 2019. Available from Internet, URL: <http://www.justanotherbackpacker.com/buzludsha-monument-bulgaria-ufo/> (Year: 2014).

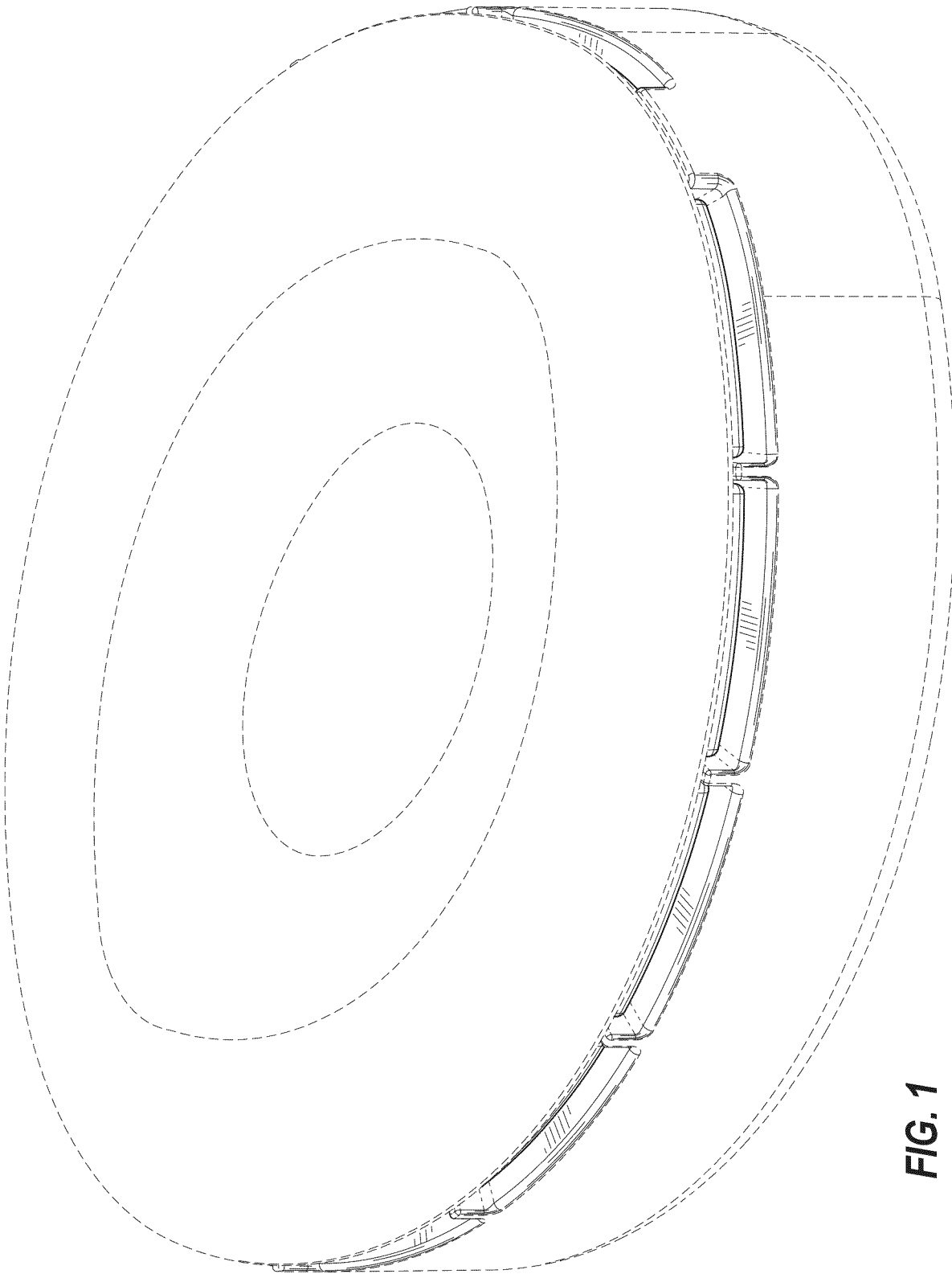


FIG. 1

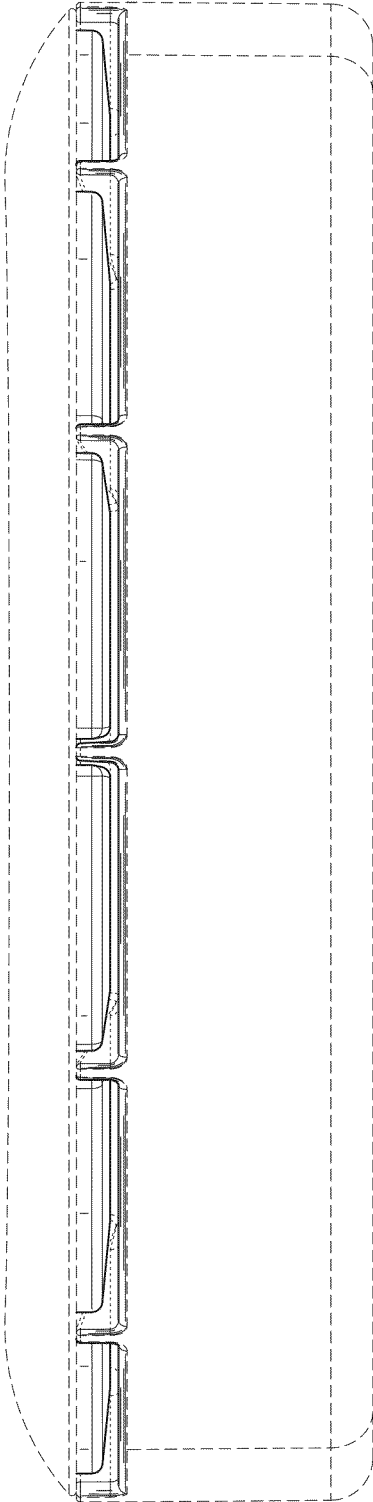


FIG. 2

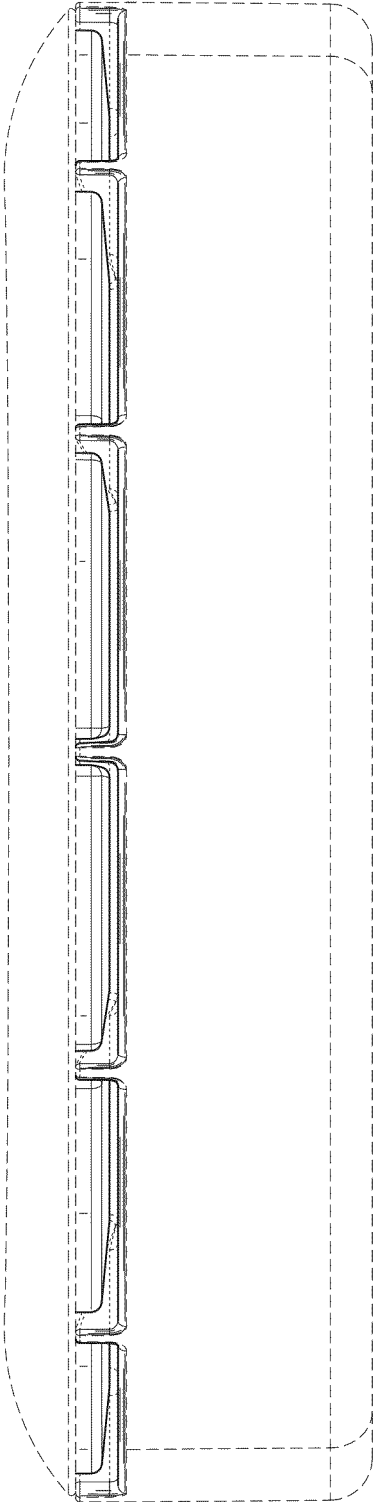


FIG. 3

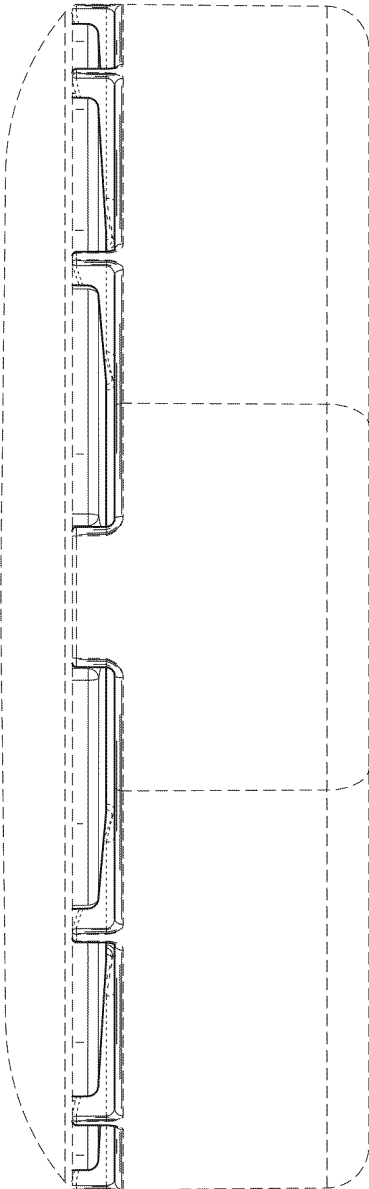


FIG. 4

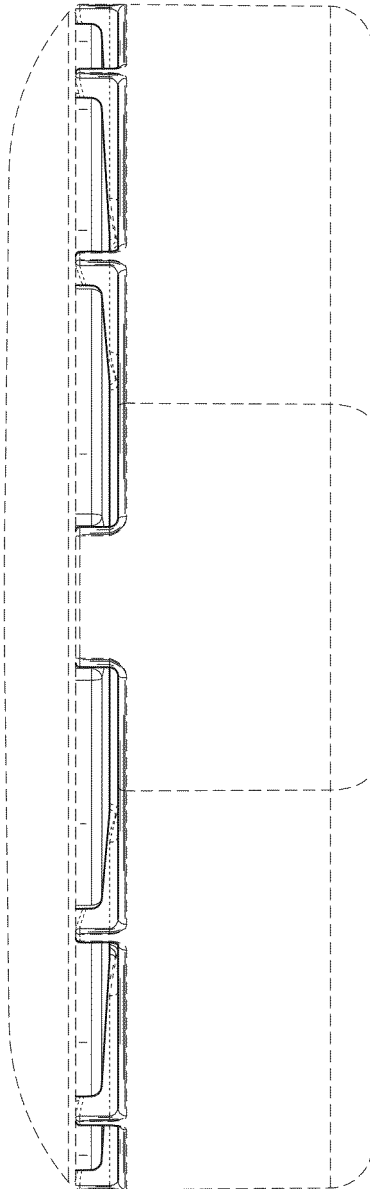


FIG. 5

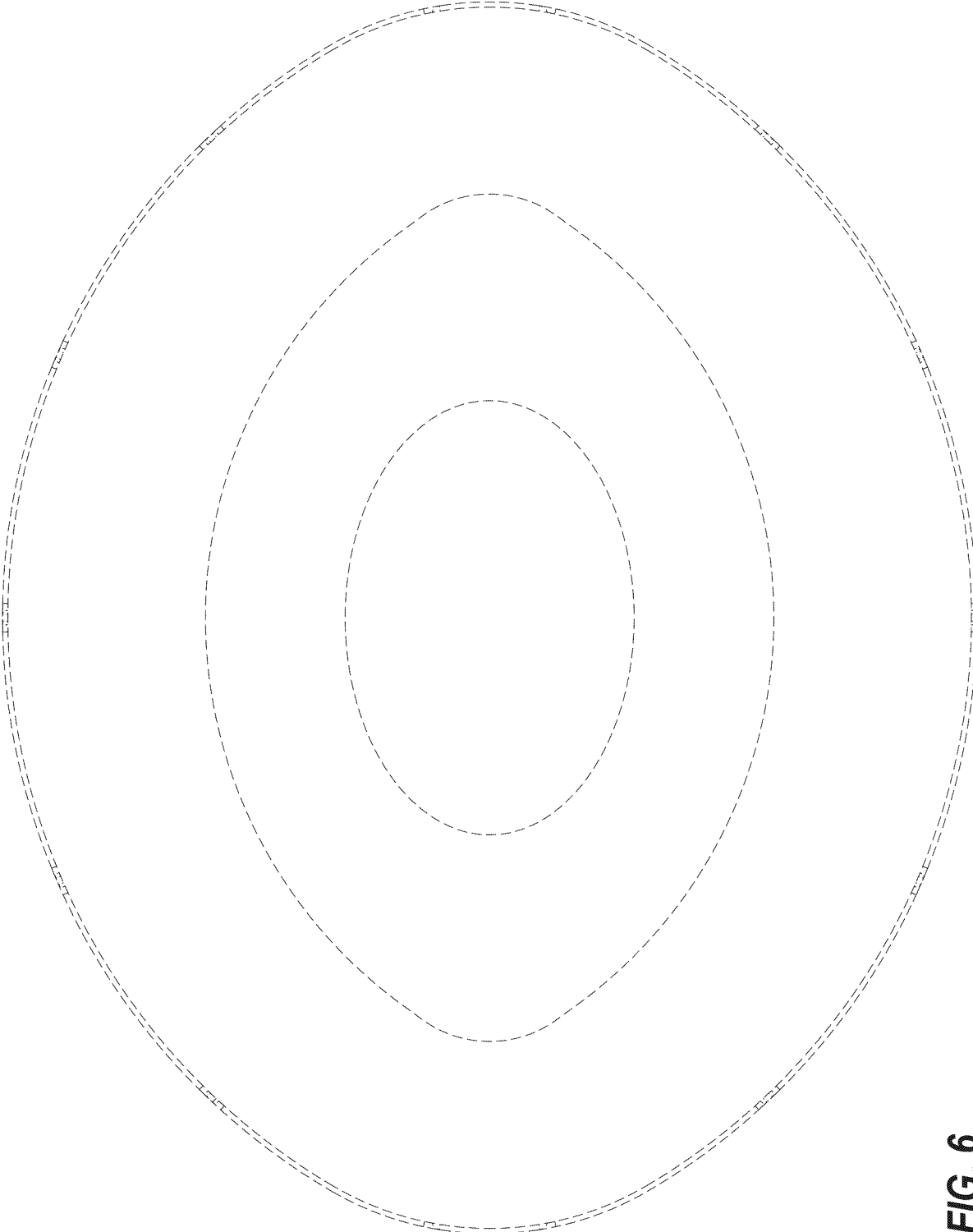


FIG. 6

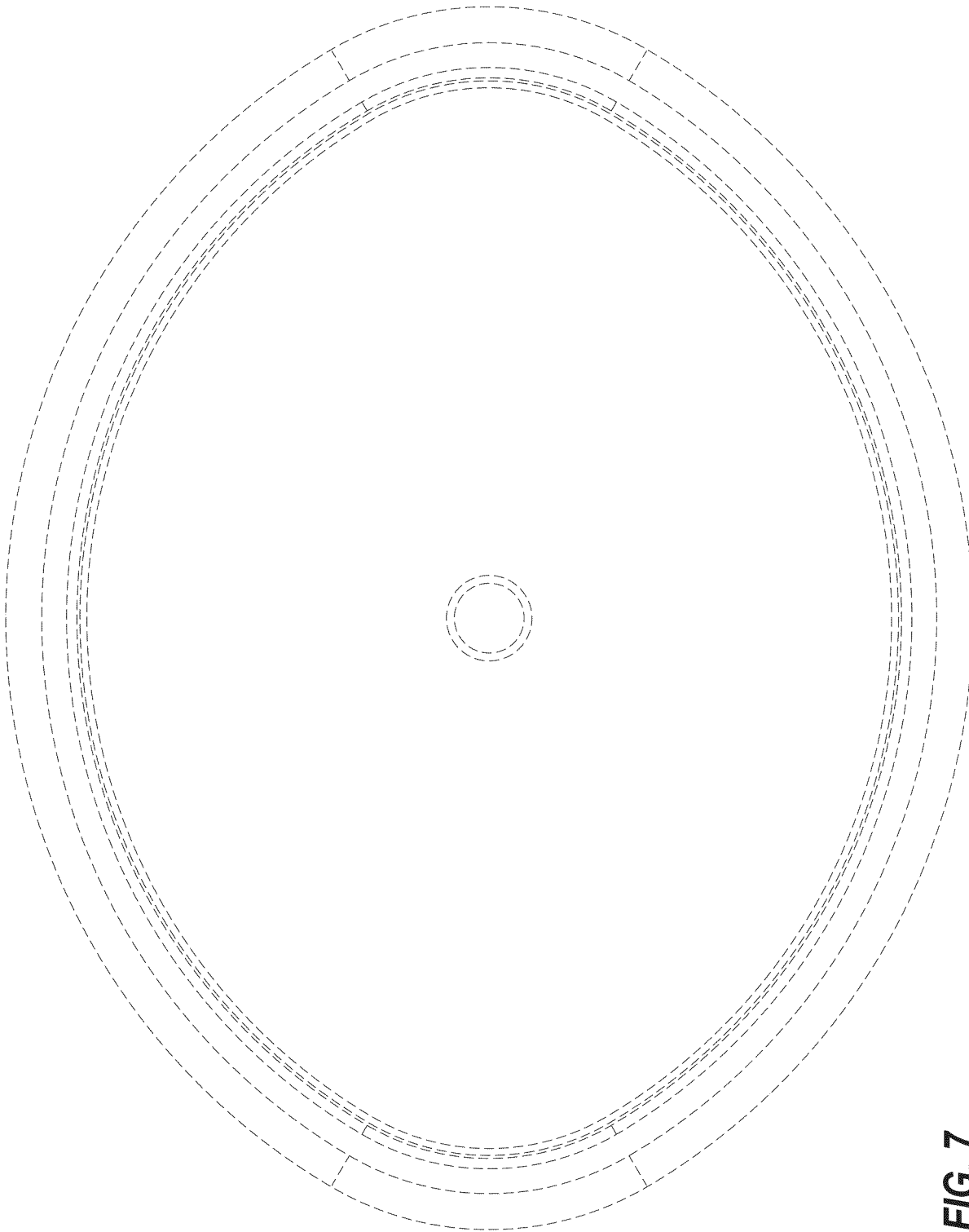


FIG. 7

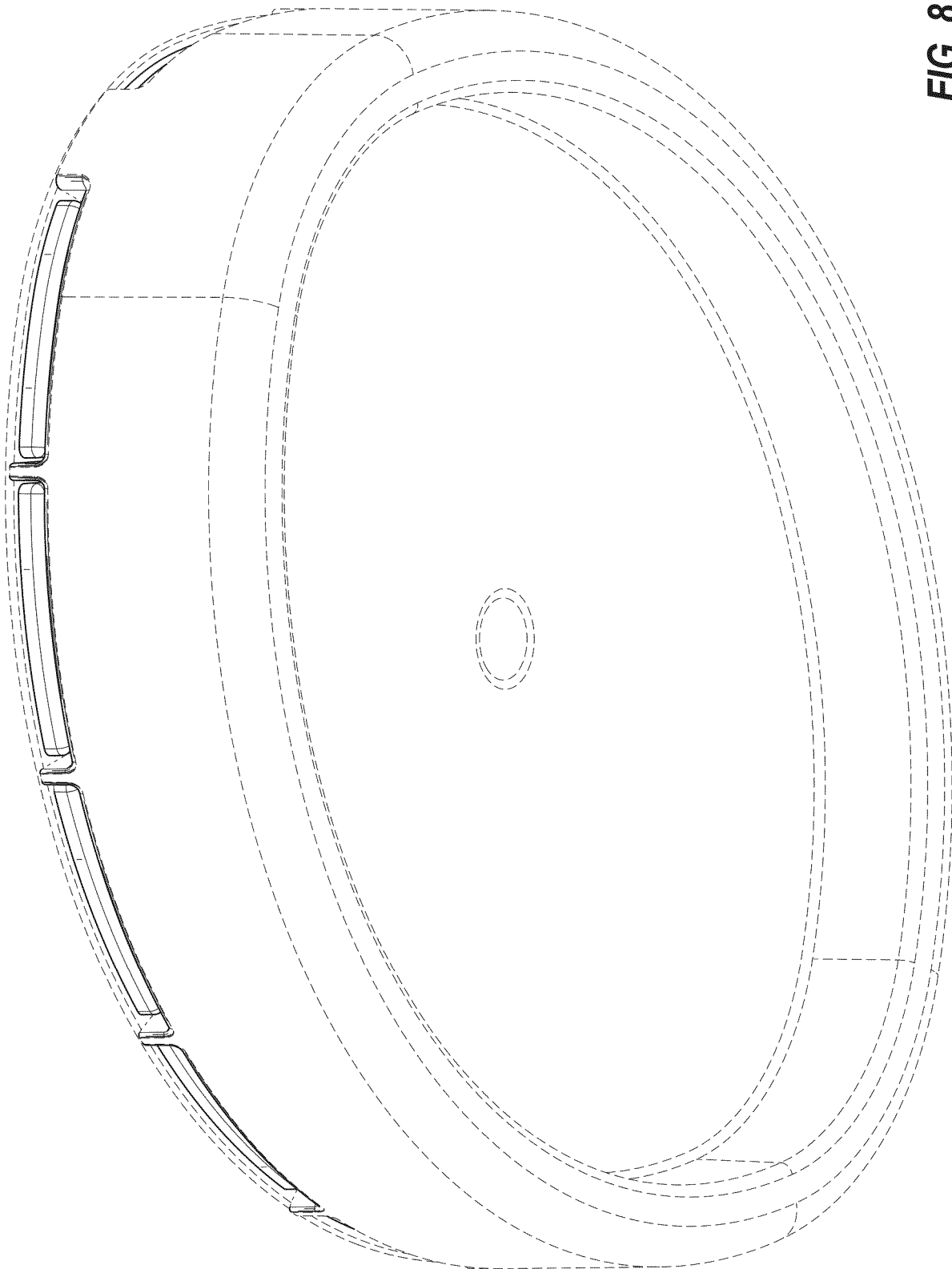


FIG. 8