



US00D720987S

(12) **United States Design Patent**
Wichowski

(10) **Patent No.:** **US D720,987 S**
(45) **Date of Patent:** **** Jan. 13, 2015**

- (54) **CONTAINER PORTION**
- (71) Applicant: **Hoffmann Neopac AG**, Thun (CH)
- (72) Inventor: **Artur Wichowski**, Lohn-Ammannsegg (CH)
- (73) Assignee: **Hoffmann Neopac AG**, Thun (CH)
- (**) Term: **14 Years**
- (21) Appl. No.: **29/446,685**
- (22) Filed: **Feb. 26, 2013**
- (30) **Foreign Application Priority Data**

Aug. 29, 2012 (WO) DM/079006

- (51) **LOC (10) Cl.** **09-03**
- (52) **U.S. Cl.**
USPC **D9/420**

- (58) **Field of Classification Search**
CPC B65D 75/24; B65D 75/32; B65D 75/322
USPC 229/100, 101, 101.3, 106, 108, 108.1,
229/116.1, 116.3, 116.5, 121, 122, 201,
229/213, 221, 222, 227, 922, 939, 942;
206/225, 233, 278, 297, 299, 389, 391,
206/409, 457, 494, 770, 737, 812, 822,
206/824; D3/272, 273, 293-295; D9/414,
D9/420, 424, 426, 431, 432, 434; D28/78,
D28/83

See application file for complete search history.

(56) **References Cited**

U.S. PATENT DOCUMENTS

- D182,255 S * 3/1958 Smith D9/420
- 3,029,937 A * 4/1962 Vogt 206/525

- D231,089 S * 4/1974 Hill D9/424
- D245,579 S * 8/1977 Jewell
- D275,165 S * 8/1984 Grusin D7/602
- D280,138 S * 8/1985 Bakic D28/83
- D343,768 S * 2/1994 Cautereels et al. D7/629
- D547,175 S * 7/2007 Berg
- D549,119 S * 8/2007 Becker
- D592,399 S * 5/2009 Sage
- D618,998 S * 7/2010 Pendergrass et al. D9/424
- D640,130 S * 6/2011 Golota et al. D9/425
- 8,215,485 B2 * 7/2012 Maroofian et al. 206/445
- D701,456 S * 3/2014 Farley et al. D9/420

* cited by examiner

Primary Examiner — Thomas Johannes

(74) *Attorney, Agent, or Firm* — Blue Filament Law PLLC;
Avery N. Goldstein

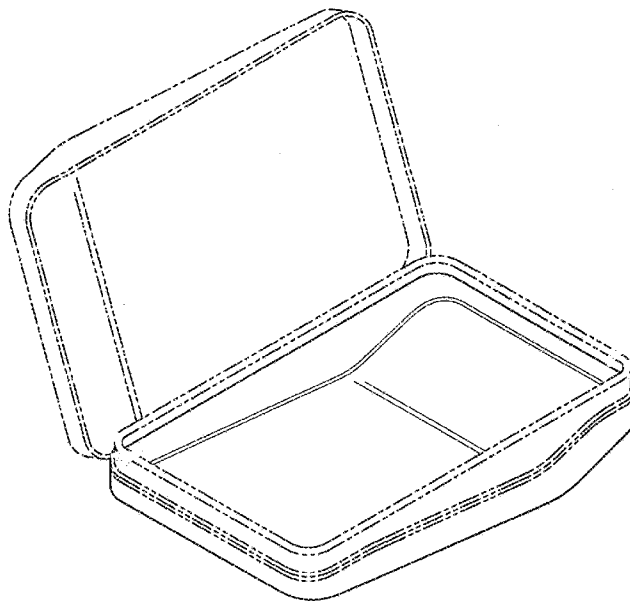
(57) **CLAIM**

The ornamental design for a container portion, as shown and described.

DESCRIPTION

FIG. 1 is a front aerial perspective view of a container portion showing my new design with an unclaimed complementary joining portion;
 FIG. 2 is a top view thereof without the unclaimed complementary joining portion;
 FIG. 3 is a front view thereof, where a rear view is a mirror image thereto;
 FIG. 4 is a first side view thereof;
 FIG. 5 is an opposing side view thereof; and,
 FIG. 6 is a bottom view thereof.
 The broken line portion of the figure drawings is included to show unclaimed subject matter only and forms no part of the claimed design.

1 Claim, 2 Drawing Sheets



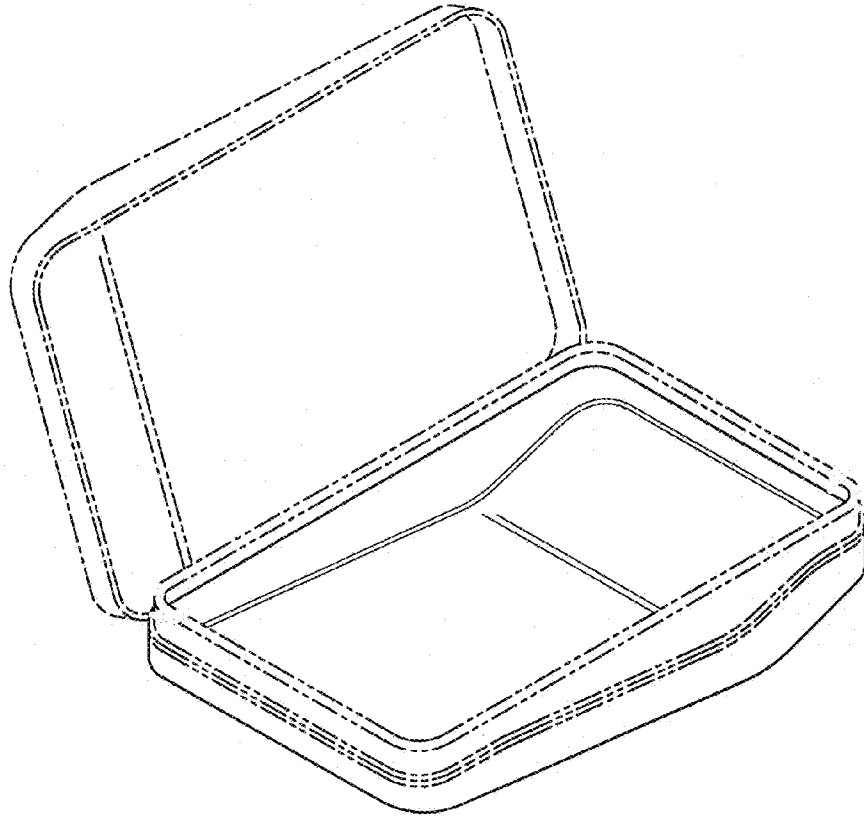


FIG. 1

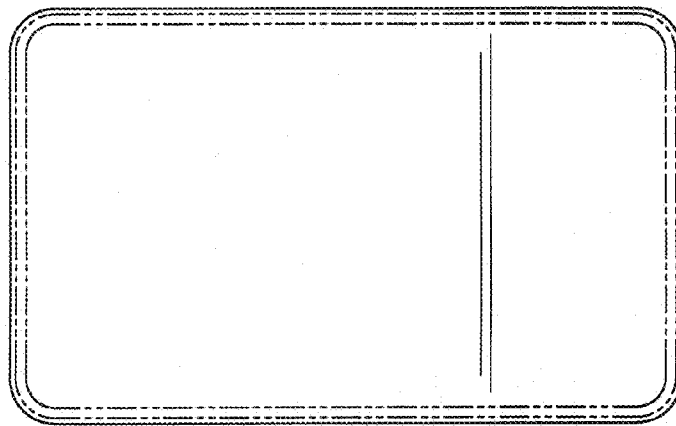


FIG. 2

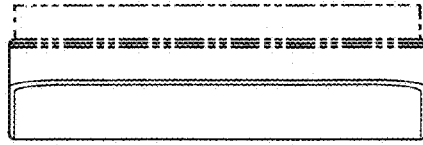


FIG. 3

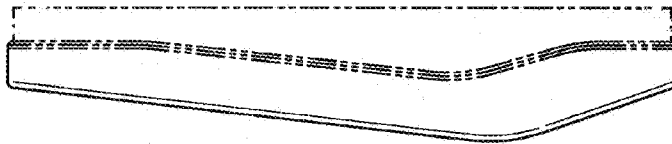


FIG. 4

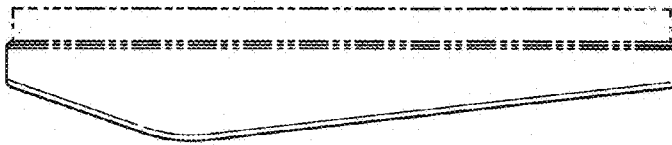


FIG. 5

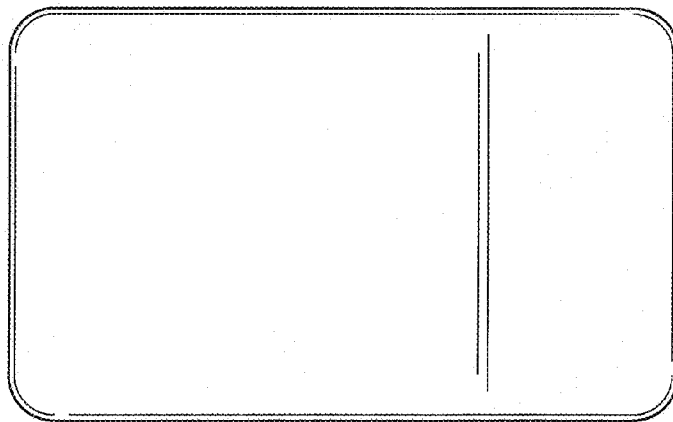


FIG. 6