



US00D341840S

# United States Patent [19]

[11] Patent Number: Des. 341,840

Rodriguez et al.

[45] Date of Patent: \*\* Nov. 30, 1993

[54] ALUMINUM CAN COMPACTOR

[56] References Cited

[76] Inventors: **Macario V. Rodriguez**, Star Route Box 954, McKittrick, Calif. 93251; **Ted V. Arviso**, 228 Hayslett Ave., Bakersfield, Calif. 93307

### U.S. PATENT DOCUMENTS

4,469,284 9/1984 Brubaker et al. .... D15/123 X  
4,648,786 3/1987 Sakurai ..... D15/123 X

*Primary Examiner*—Alan P. Douglas  
*Assistant Examiner*—Antoine D. Davis  
*Attorney, Agent, or Firm*—Leon Gilden

[\*\*] Term: 14 Years

[57] CLAIM

The ornamental design for a aluminum can compactor, as shown and described.

[21] Appl. No.: 677,958

### DESCRIPTION

[22] Filed: Apr. 1, 1991

[52] U.S. Cl. .... D15/123

[58] Field of Search ..... D15/122, 123; 100/37, 100/233, 264, 265, 266, 267, 268, 276, 283, 294, 295, 902

FIG. 1 is a front elevational view of the aluminum can compactor showing my new design; FIG. 2 is a rear elevational view thereof; FIG. 3 is a left side elevational view thereof; FIG. 4 is a right side elevational view thereof; FIG. 5 is a top plan view thereof; and, FIG. 6 is a bottom plan view thereof.

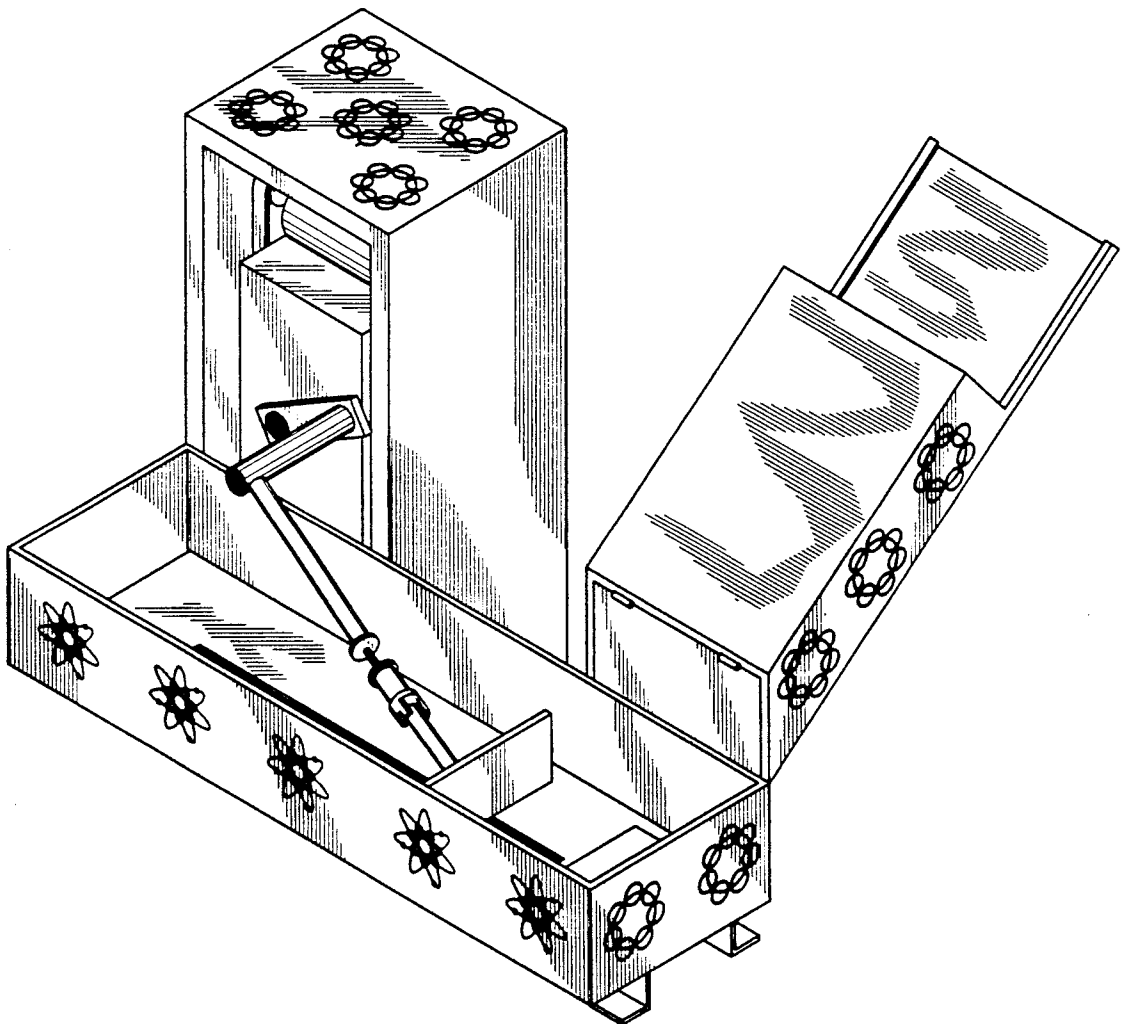


FIG. 1

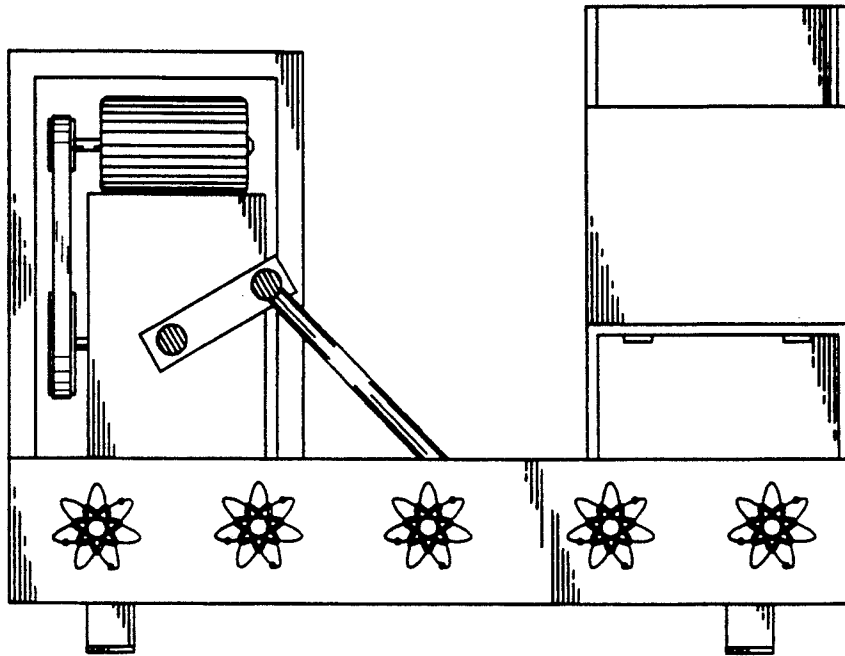


FIG. 2

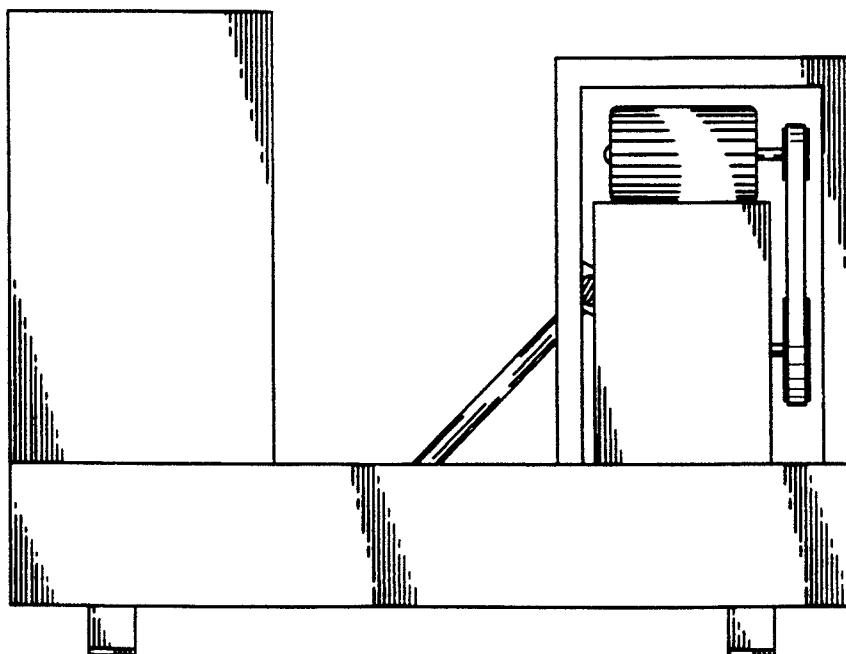


FIG. 3

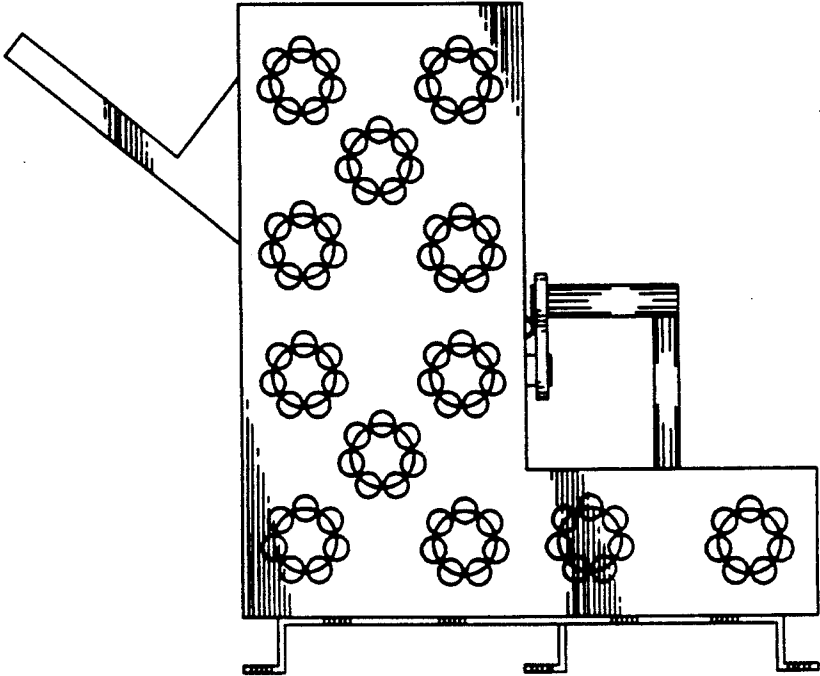


FIG. 4

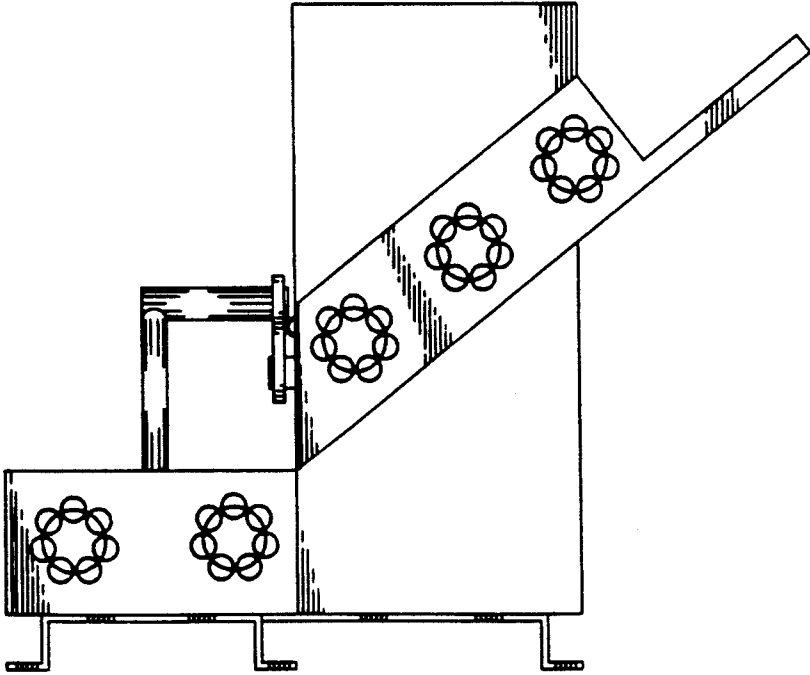


FIG. 5

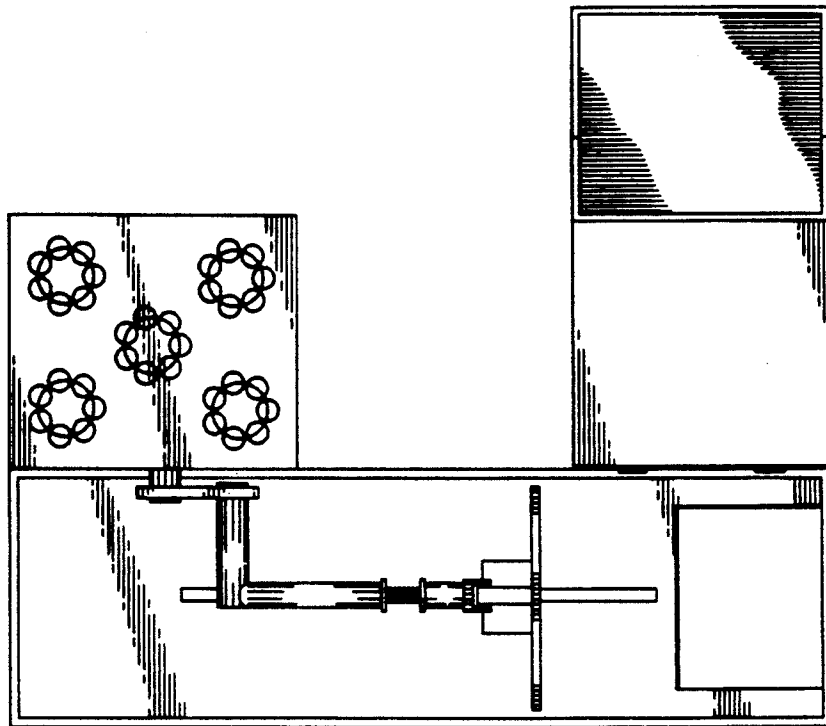


FIG. 6

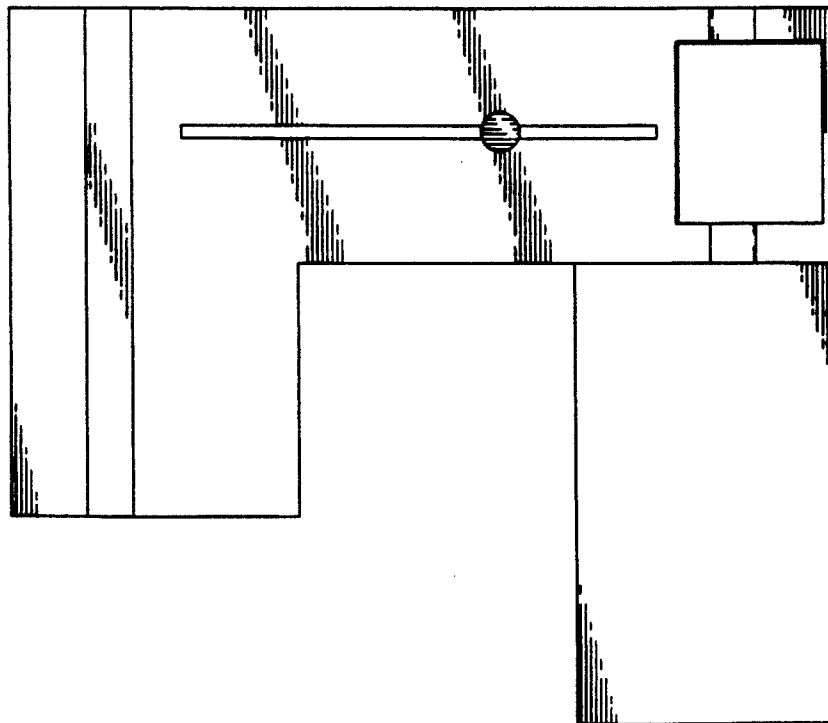


FIG. 7

